

US00D866469S

(12) **United States Design Patent**  
**Hu et al.**

(10) **Patent No.:** **US D866,469 S**

(45) **Date of Patent:** **\*\* Nov. 12, 2019**

(54) **ELECTRICAL MODULE**

(71) Applicants: **Microduino Inc.**, Westlake Village, CA (US); **Meike Technology (Beijing) Ltd.**, Beijing (CN)

(72) Inventors: **Jian Hu**, Westlake Village, CA (US); **Kejia Pan**, Westlake Village, CA (US); **Zhenshan Wang**, Westlake Village, CA (US); **Xi Li**, Westlake Village, CA (US); **Bin Feng**, Westlake Village, CA (US)

(73) Assignees: **MICRODUINO INC.**, Westlake Village, CA (US); **MEIKE TECHNOLOGY (BEIJING) LTD.**, Beijing (CN)

(\*\*) Term: **15 Years**

(21) Appl. No.: **29/560,624**

(22) Filed: **Apr. 8, 2016**

**Related U.S. Application Data**

(63) Continuation of application No. 15/066,903, filed on Mar. 10, 2016, now Pat. No. 9,980,405.

(30) **Foreign Application Priority Data**

Nov. 23, 2015 (CN) ..... 2015 1 0815186

(51) **LOC (12) Cl.** ..... **13-03**

(52) **U.S. Cl.**  
USPC ..... **D13/133; D13/182**

(58) **Field of Classification Search**  
USPC ..... D13/103, 118, 123, 133, 148, 149, 151, D13/153, 154, 173, 182, 184, 199; D21/398, 404, 483, 484, 486, 493  
(Continued)

(56) **References Cited**

**U.S. PATENT DOCUMENTS**

D27,694 S \* 9/1897 Robbins ..... D13/120  
D52,682 S \* 11/1918 Shields ..... D13/120  
(Continued)

*Primary Examiner* — Angela J Lee

*Assistant Examiner* — Shawn T Gingrich

(74) *Attorney, Agent, or Firm* — Anova Law Group, PLLC

(57) **CLAIM**

The ornamental design for an electrical module, as shown and described.

**DESCRIPTION**

FIG. 1 is a top or bottom perspective view of a first embodiment of an electrical module in accordance with the present invention;  
FIG. 2 is a top or bottom view of the first embodiment of the electrical module shown in FIG. 1;  
FIG. 3 is a left or right side view of the first embodiment of the electrical module shown in FIG. 1;  
FIG. 4 is a front or back view of the first embodiment of the electrical module shown in FIG. 1;  
FIG. 5 is a top or bottom perspective view of a second embodiment of an electrical module in accordance with the present invention;  
FIG. 6 is a top or bottom view of the second embodiment of the electrical module shown in FIG. 5;  
FIG. 7 is a left or right side view of the second embodiment of the electrical module shown in FIG. 5;  
FIG. 8 is a front or back view of the second embodiment of the electrical module shown in FIG. 5;  
FIG. 9 is a top or bottom perspective view of a third embodiment of an electrical module in accordance with the present invention;  
FIG. 10 is a top or bottom view of the third embodiment of the electrical module shown in FIG. 9;  
FIG. 11 is a left or right side view of the third embodiment of the electrical module shown in FIG. 9;  
FIG. 12 is a front or back view of the third embodiment of the electrical module shown in FIG. 9;  
FIG. 13 is a top or bottom perspective view of a fourth embodiment of an electrical module in accordance with the present invention;  
FIG. 14 is a top or bottom view of the fourth embodiment of the electrical module shown in FIG. 13;  
FIG. 15 is a left or right side view of the fourth embodiment of the electrical module shown in FIG. 13; and,

(Continued)

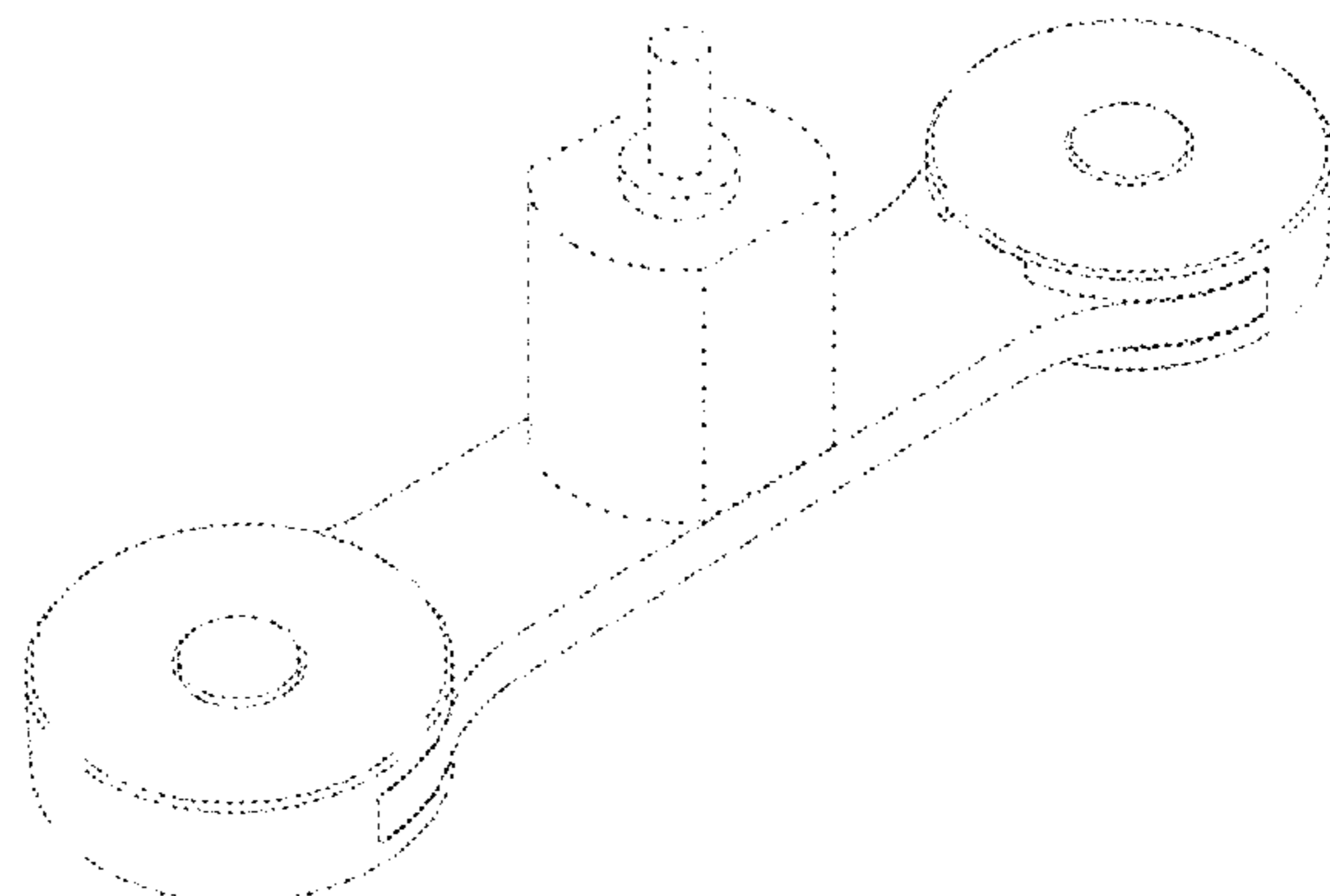
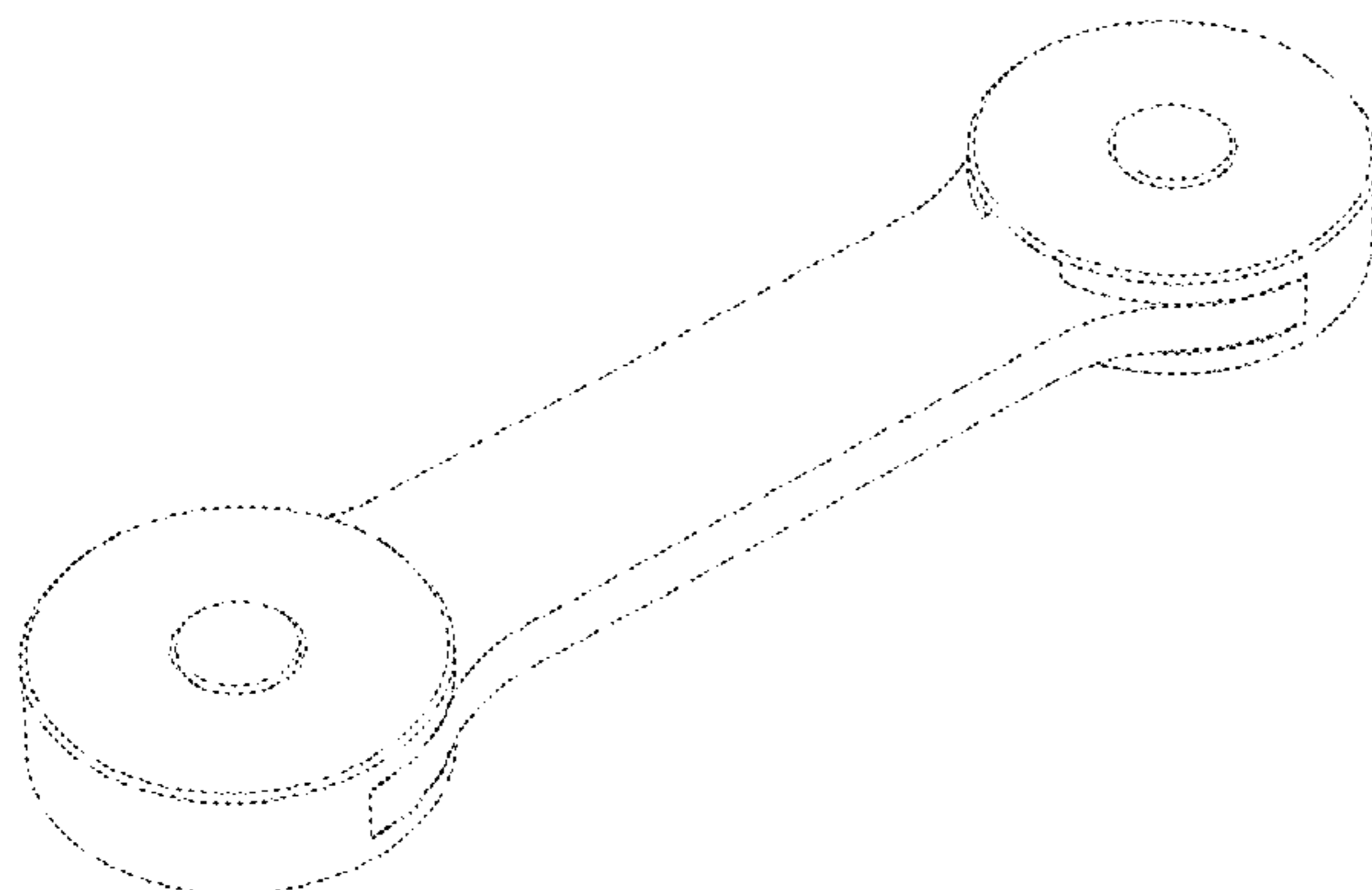


FIG. 16 is a front or back view of the fourth embodiment of the electrical module shown in FIG. 13.

The broken lines in the drawings illustrate portions of the electrical module that form no part of the claimed design.

**1 Claim, 8 Drawing Sheets**

**(58) Field of Classification Search**

CPC ..... B65D 45/00; F16B 39/24; F16G 11/00;  
F16G 11/10; F16L 3/10; F16L 3/12; F16L  
13/22; G02B 6/00; G02B 6/44; H01R  
13/00; H01R 13/58; H01R 4/38; H01R  
4/50; H02B 1/40; H02G 1/02; H02G  
3/04; H02G 3/08; A63H 33/04; A63H  
33/26; A63H 33/042; A63H 33/046;  
H05K 7/02; H05K 7/023; H05K 7/026

See application file for complete search history.

**(56) References Cited**

U.S. PATENT DOCUMENTS

D56,738 S \* 12/1920 Cook ..... D13/120  
D280,224 S \* 8/1985 Wilson ..... 482/129  
D349,055 S \* 7/1994 Hawkins ..... D8/499  
6,350,956 B1 \* 2/2002 Sakata ..... B60R 16/0215  
16/221  
D757,184 S \* 5/2016 Balanchi ..... D21/404  
D802,547 S \* 11/2017 Kott ..... D13/183  
9,980,405 B2 \* 5/2018 Hu ..... H05K 7/023  
2016/0118728 A1 \* 4/2016 Herrema ..... H01R 4/489  
439/726  
2017/0120157 A1 \* 5/2017 Ochi ..... A63H 33/065  
2017/0150631 A1 \* 5/2017 Hu ..... H05K 7/023

\* cited by examiner

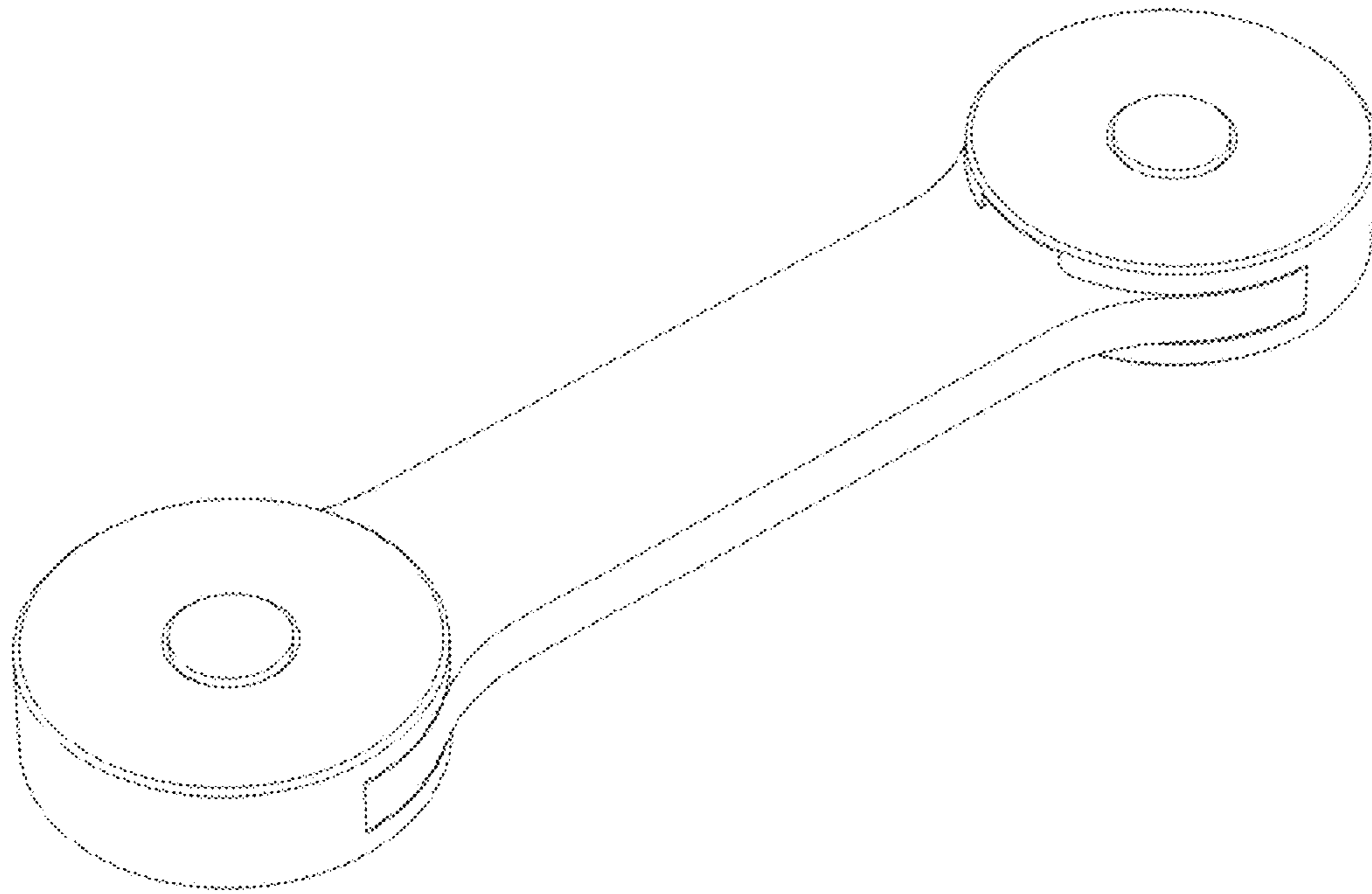


FIG. 1



FIG. 2

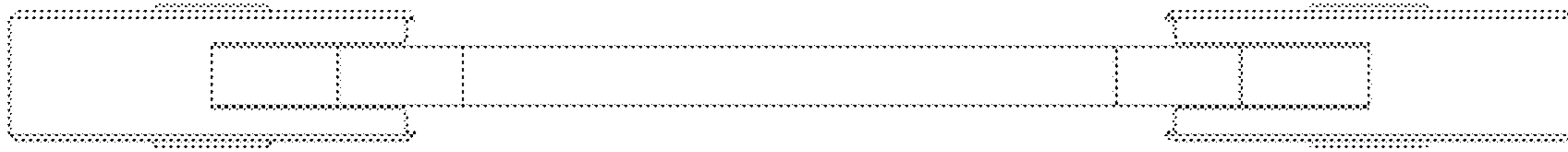


FIG. 3



FIG. 4

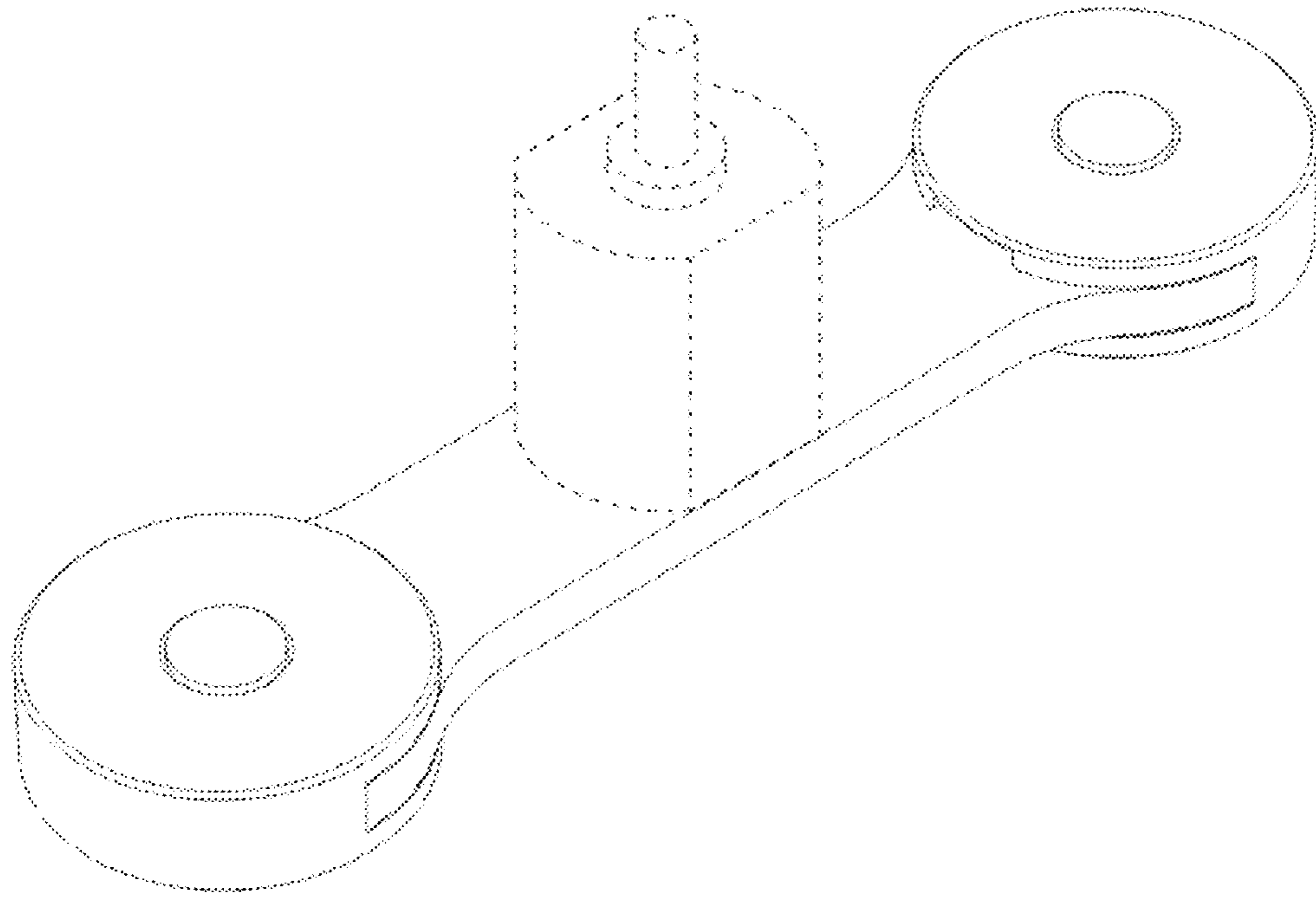


FIG. 5

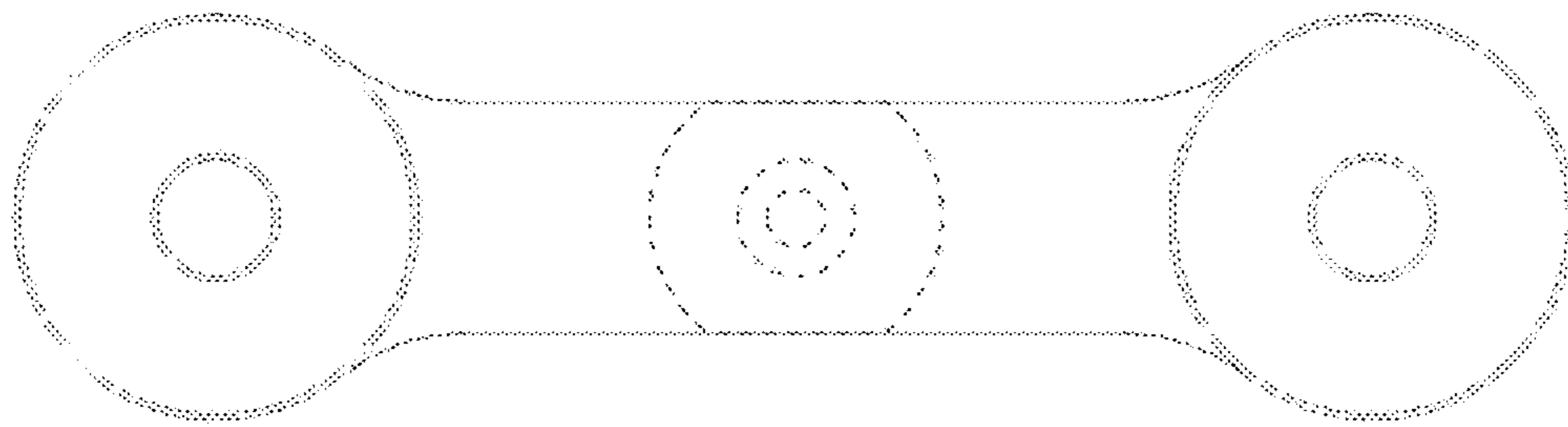


FIG. 6

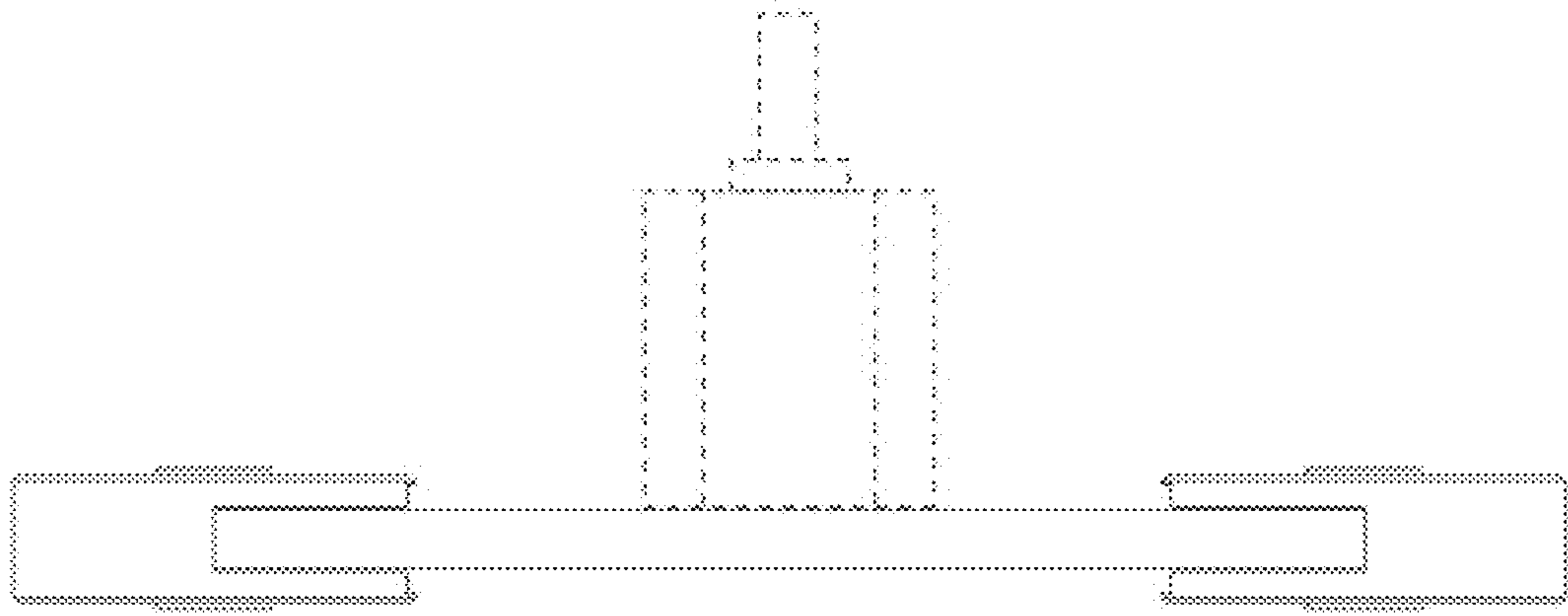


FIG. 7

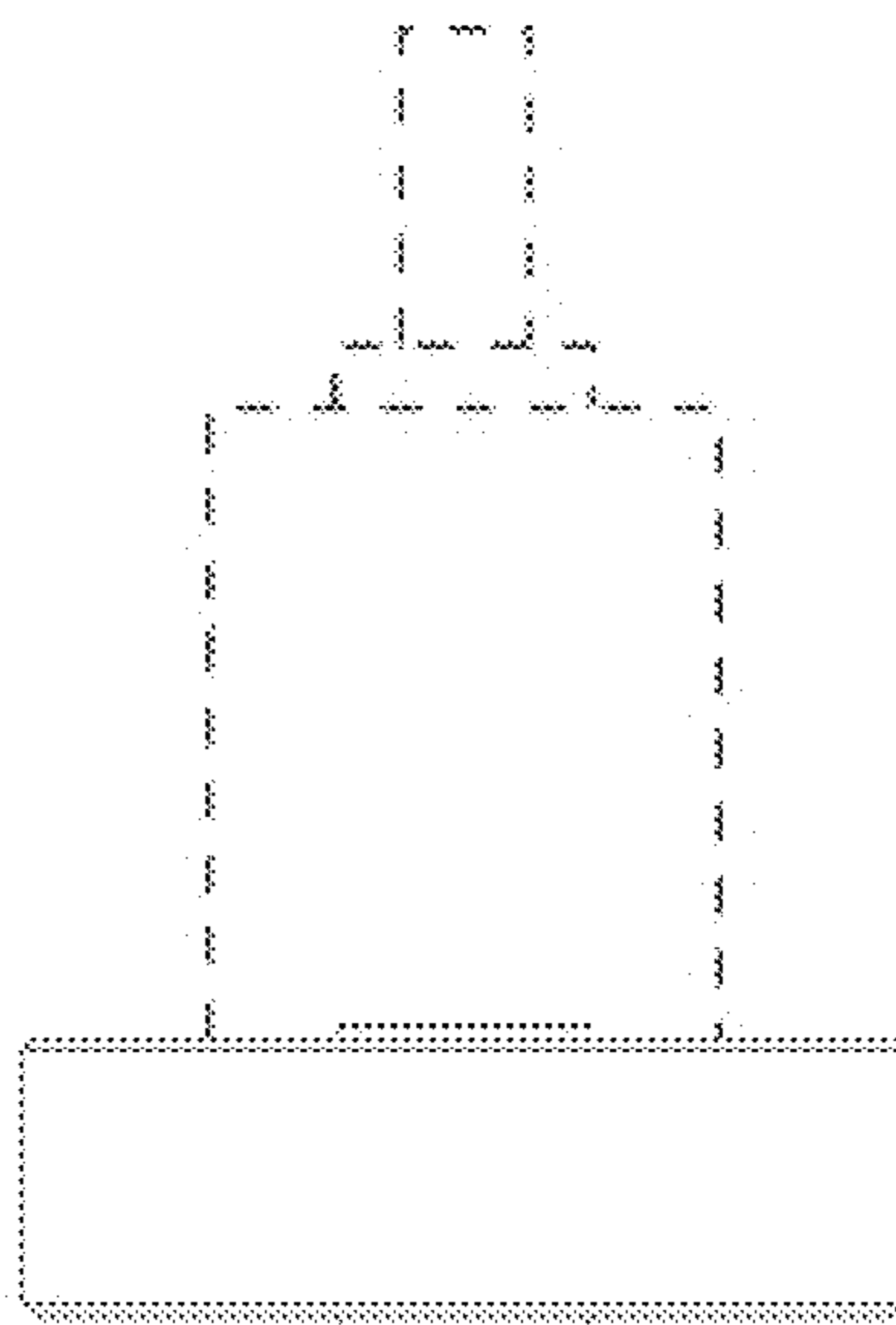


FIG. 8

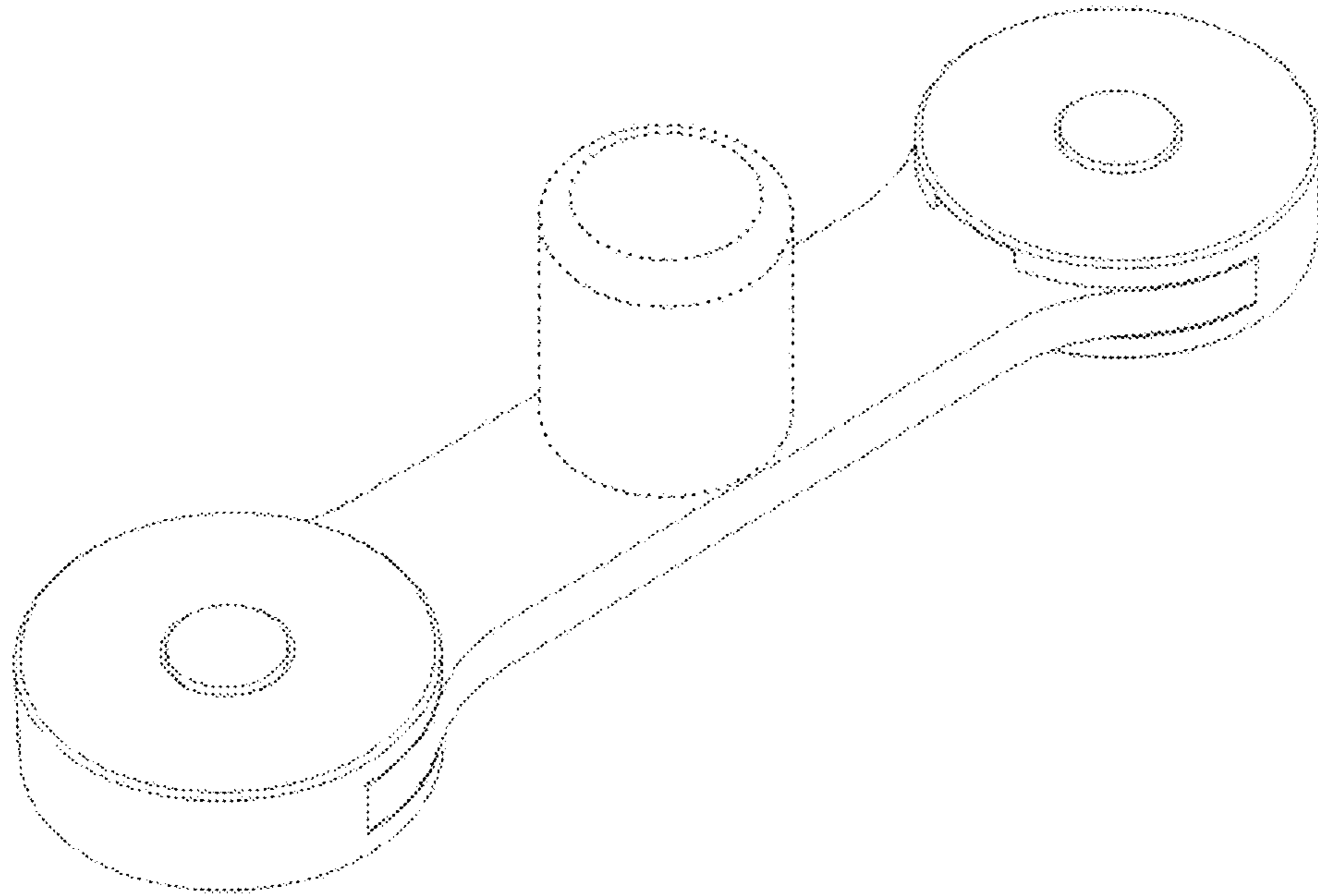


FIG. 9

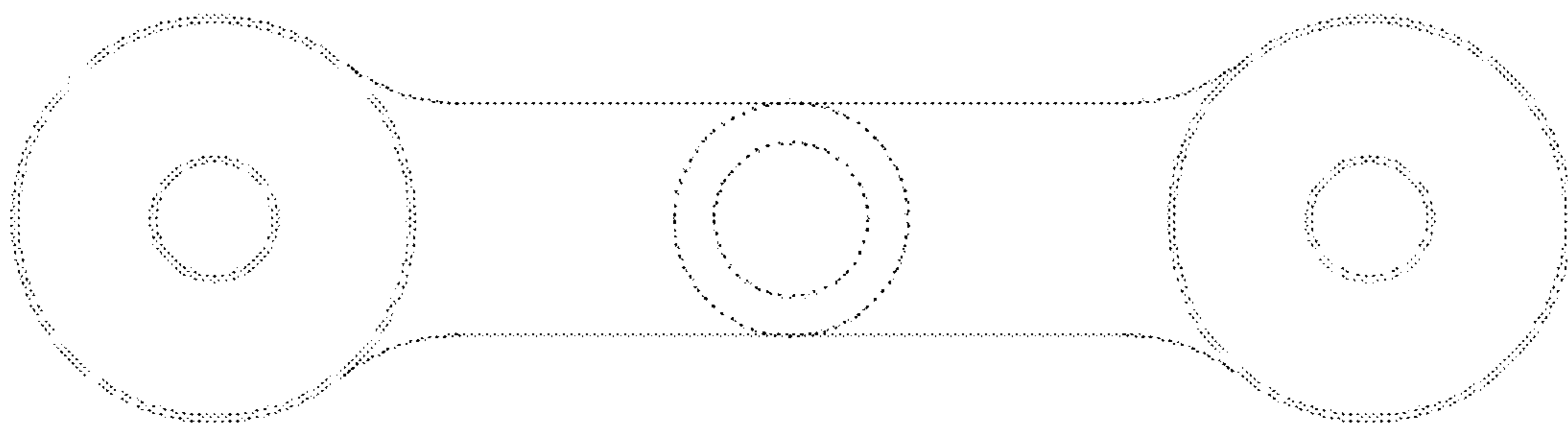


FIG. 10

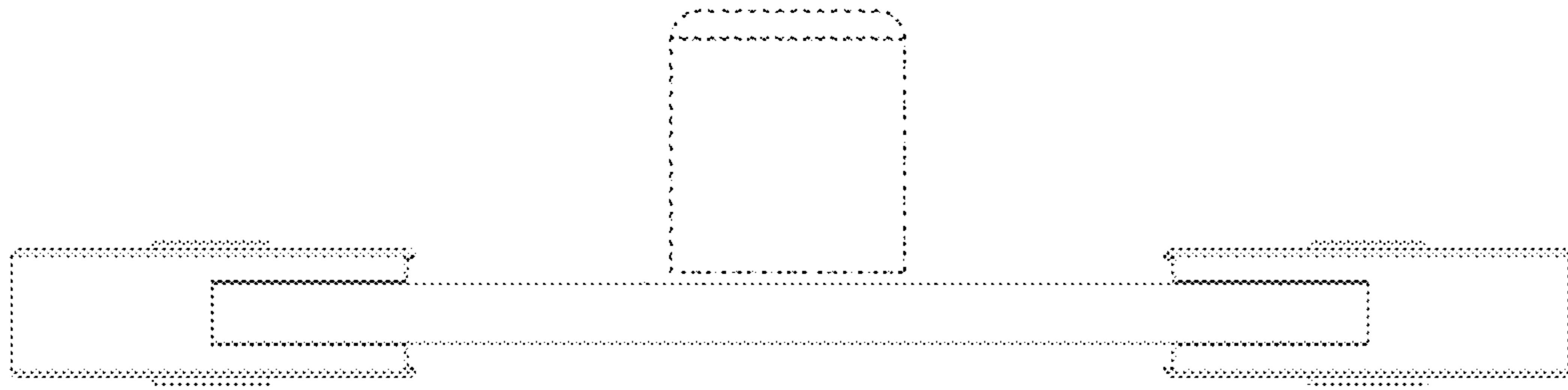


FIG. 11

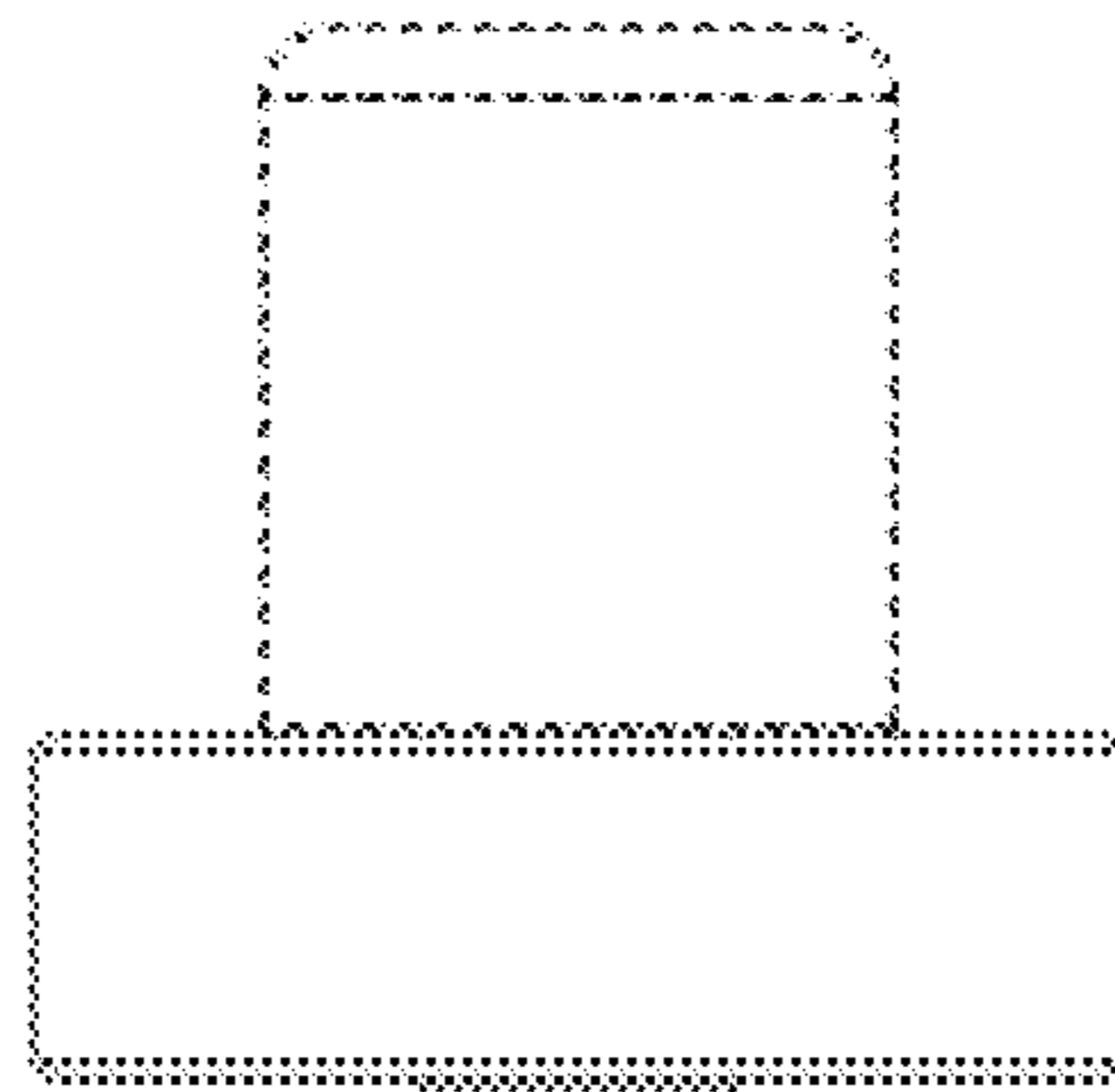


FIG. 12



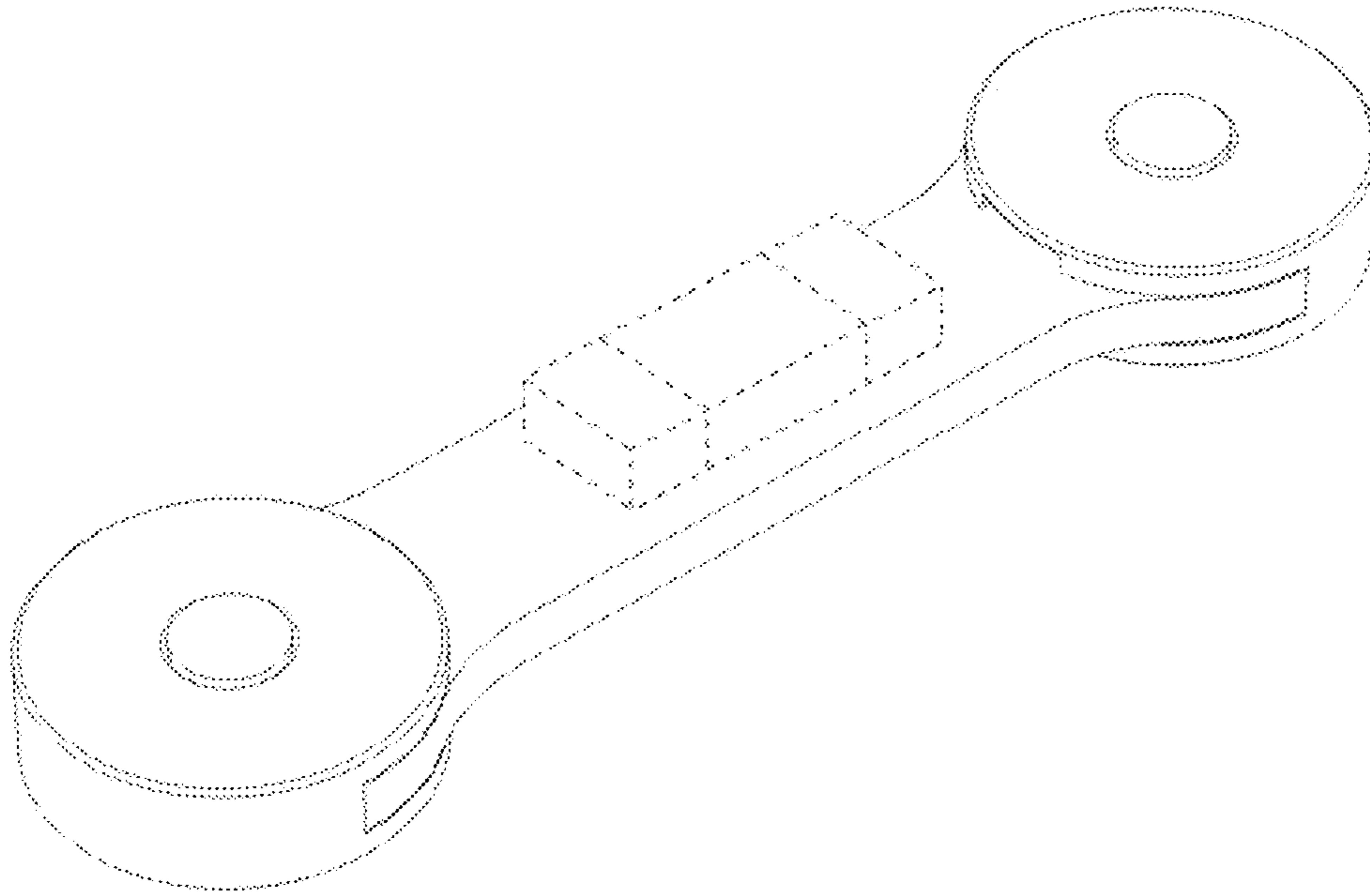


FIG. 13

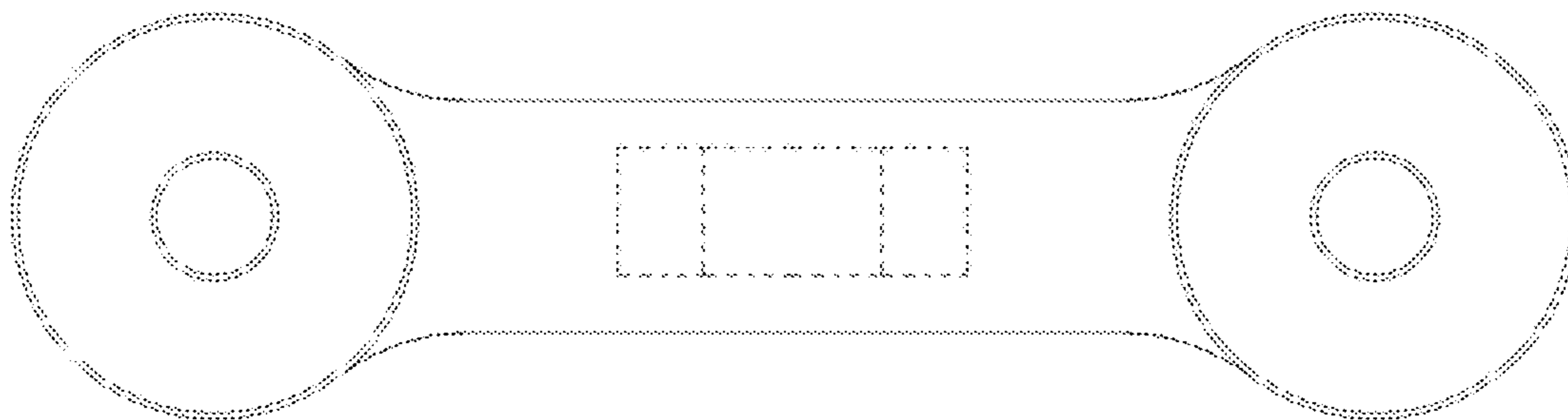


FIG. 14

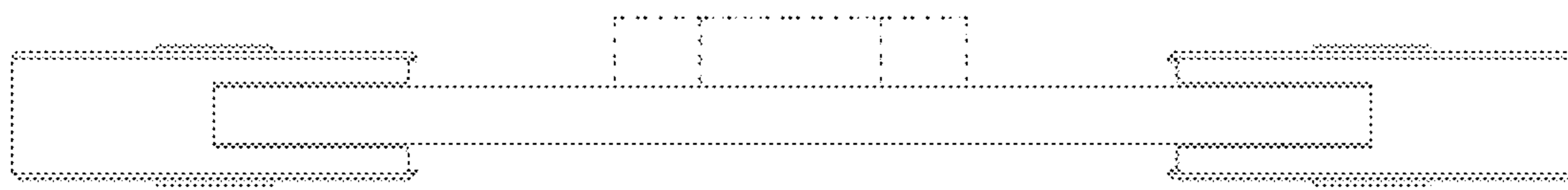


FIG. 15

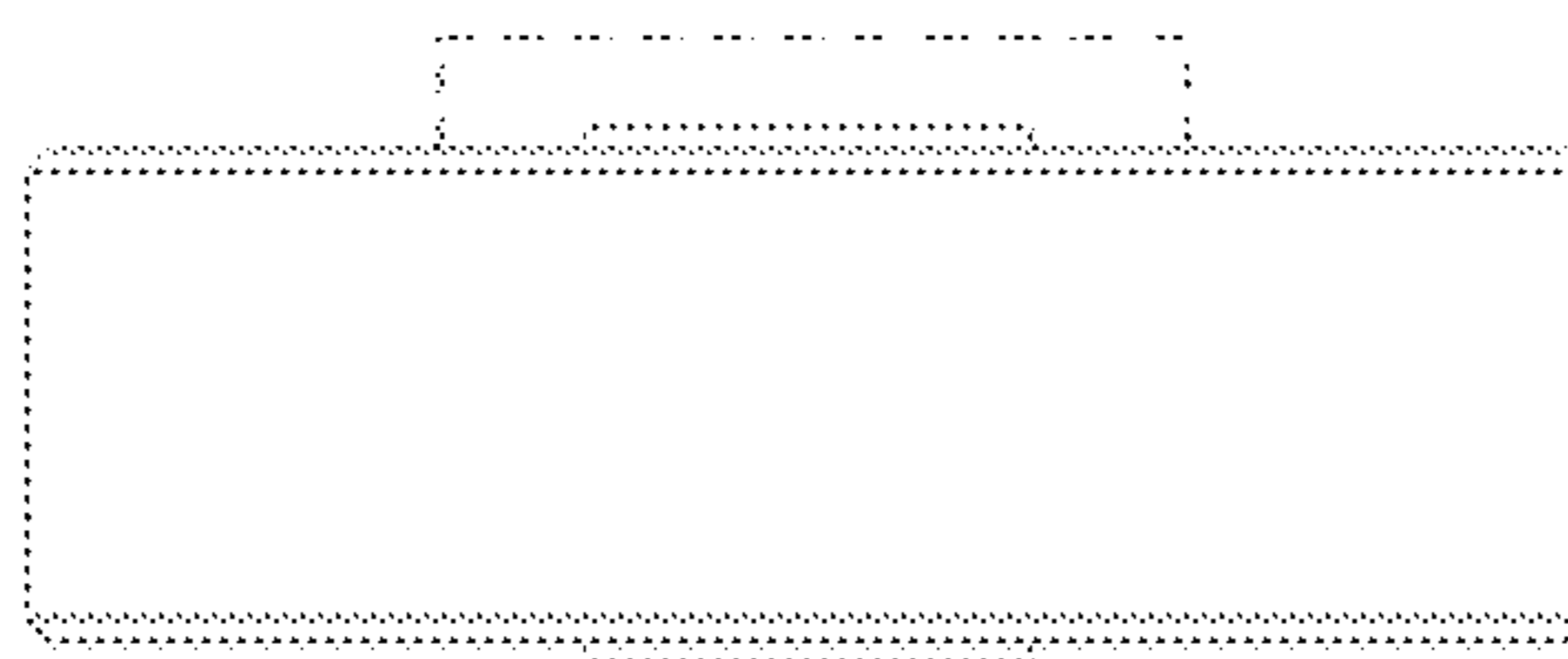


FIG. 16