



US00D866468S

(12) **United States Design Patent** (10) **Patent No.:** **US D866,468 S**
Rebull et al. (45) **Date of Patent:** **** Nov. 12, 2019**

(54) **ELECTRICAL ENERGY DISTRIBUTION DEVICE**

(71) Applicant: **SIMON, S.A.U.**, Barcelona (ES)

(72) Inventors: **Adrià Riquè Rebull**, Barcelona (ES);
Clara Batiste Mayas, Barcelona (ES);
Marta Portillo Lainez, Barcelona (ES);
Salvi Plaja Miró, Barcelona (ES)

(**) Term: **15 Years**

(21) Appl. No.: **35/504,337**

(22) Filed: **Dec. 15, 2017**

(80) **Hague Agreement Data**
 Int. Filing Date: **Dec. 15, 2017**
 Int. Reg. No.: **DM/099145**
 Int. Reg. Date: **Dec. 15, 2017**
 Int. Reg. Pub. Date: **Jan. 19, 2018**

(30) **Foreign Application Priority Data**
 Jun. 23, 2017 (EP) 004064558-0003

(51) **LOC (12) Cl.** **13-03**

(52) **U.S. Cl.**
 USPC **D13/123**

(58) **Field of Classification Search**
 USPC D13/123, 139.4, 137.2, 147, 152;
 174/67, 55, 482; 16/224
 CPC .. H01R 13/5213; H01R 13/518; H02G 3/185;
 B64C 15/00
 See application file for complete search history.

(56) **References Cited**
 U.S. PATENT DOCUMENTS

D407,374 S * 3/1999 Byrne D13/139.4
 6,028,267 A * 2/2000 Byrne H01R 13/518
 174/55

6,290,518 B1 * 9/2001 Byrne H02G 3/185
 16/224
 D463,775 S * 10/2002 Byrne D13/139.4
 D465,201 S * 11/2002 Gershfeld D13/139.4
 D467,229 S * 12/2002 Heggem D13/152
 D472,213 S * 3/2003 Byrne D13/139.4
 7,045,706 B1 * 5/2006 Lincoln, III H02G 3/185
 174/482
 D597,960 S * 8/2009 Dinh D13/152
 7,614,889 B1 * 11/2009 Black H01R 13/5213
 174/67
 D622,219 S * 8/2010 Byrne D13/147
 D626,069 S * 10/2010 Byrne D13/139.4
 D626,070 S * 10/2010 Byrne D13/139.4
 D639,244 S * 6/2011 Byrne D13/139.4
 D649,514 S * 11/2011 Byrne D13/139.4
 D657,315 S * 4/2012 Feldstein D13/139.4
 D666,556 S * 9/2012 Byrne D13/139.4
 D682,213 S * 5/2013 Byrne D13/139.4
 D685,329 S * 7/2013 Byrne D13/139.4
 D709,031 S * 7/2014 Byrne D13/139.4
 D715,740 S * 10/2014 Byrne D13/139.4
 D716,232 S * 10/2014 Byrne D13/139.4

(Continued)

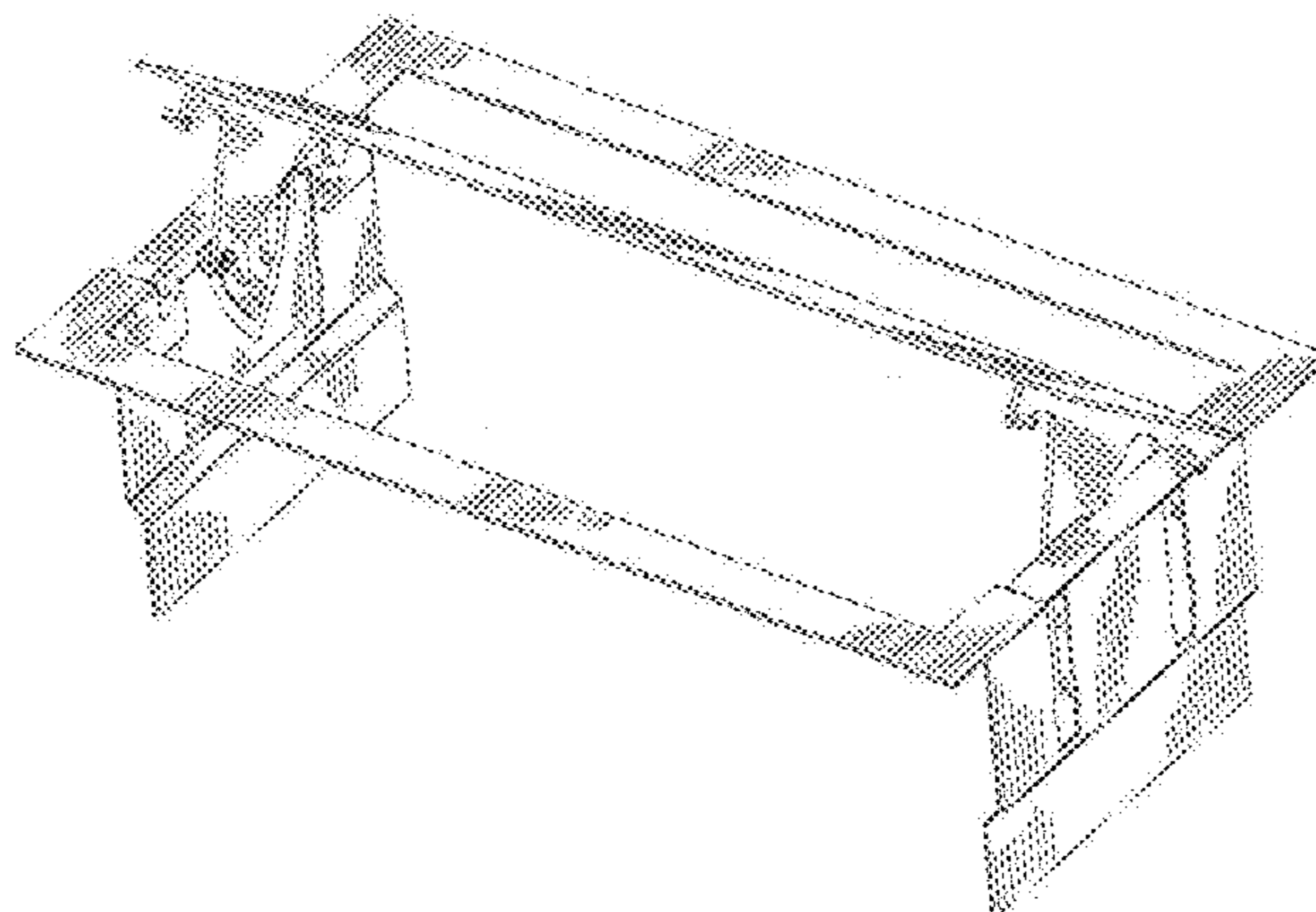
Primary Examiner — Rhea Shields

(57) **CLAIM**
 The ornament design for an electrical energy distribution device, as shown and described.

DESCRIPTION

1. Electrical energy distribution device
1.1 : Right
1.2 : Front
1.3 : Top
1.4 : Perspective
1.5 : Unfolded
1.6 : Unfolded
1.7 : Unfolded
1.1-1.4 lateral right, front, top and perspective views in closed configuration; **1.5** top view in open configuration; **1.6** left side view in open configuration; **1.7** perspective view in open configuration.

1 Claim, 7 Drawing Sheets



(56)

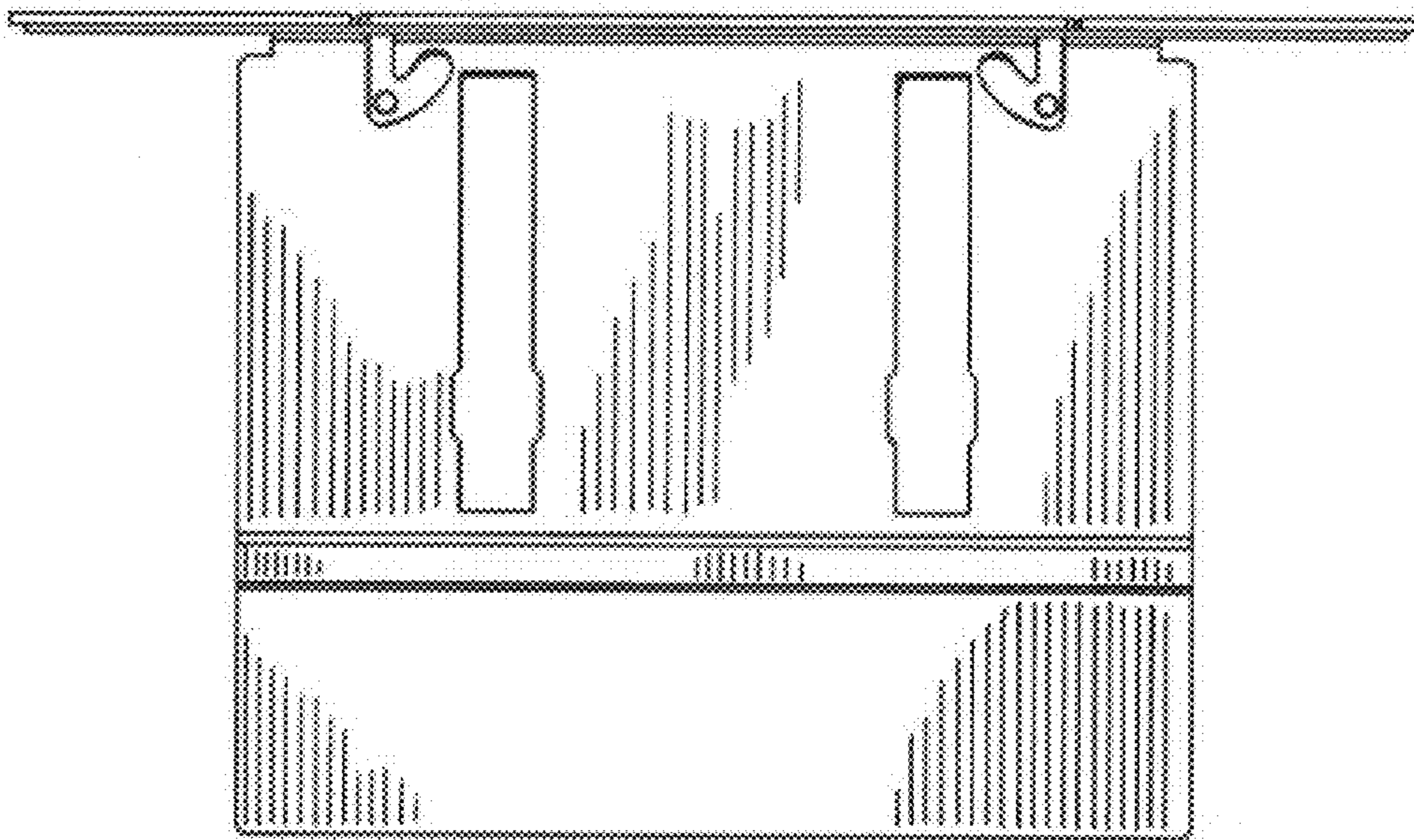
References Cited

U.S. PATENT DOCUMENTS

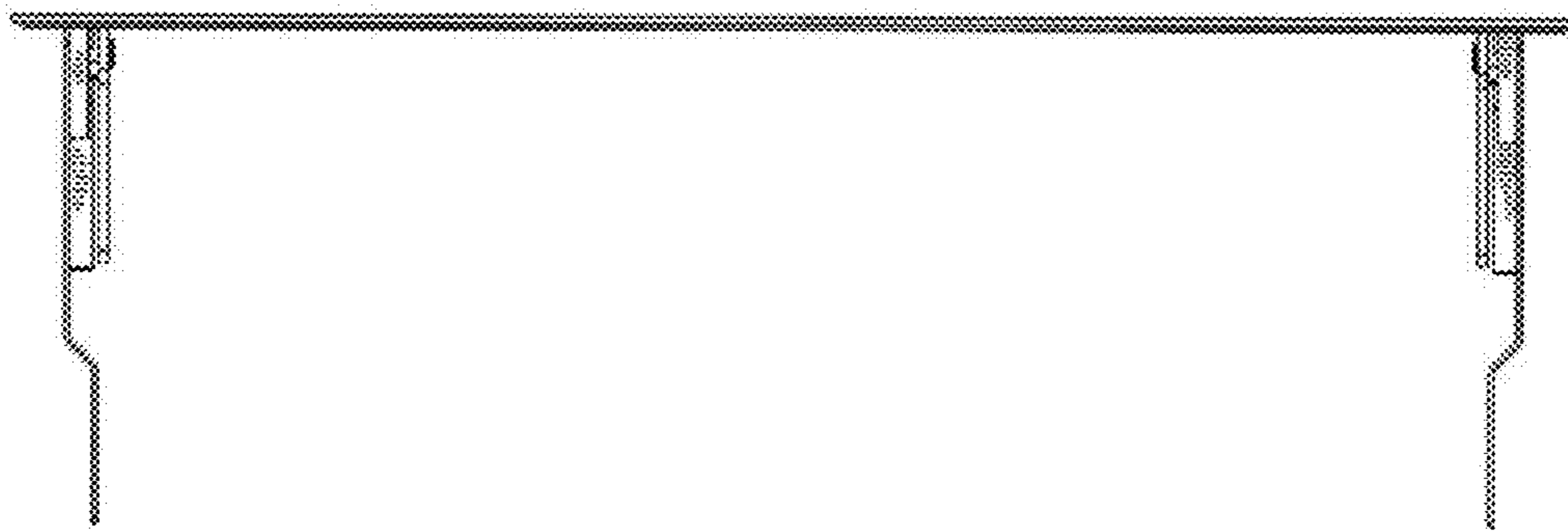
D755,128 S *	5/2016	Page	D13/139.4
D759,596 S *	6/2016	Byrne	D13/137.2
D762,175 S *	7/2016	Byrne	D13/137.2
D804,419 S *	12/2017	Hayes	D13/139.4
D811,337 S *	2/2018	Byrne	D13/137.2

* cited by examiner

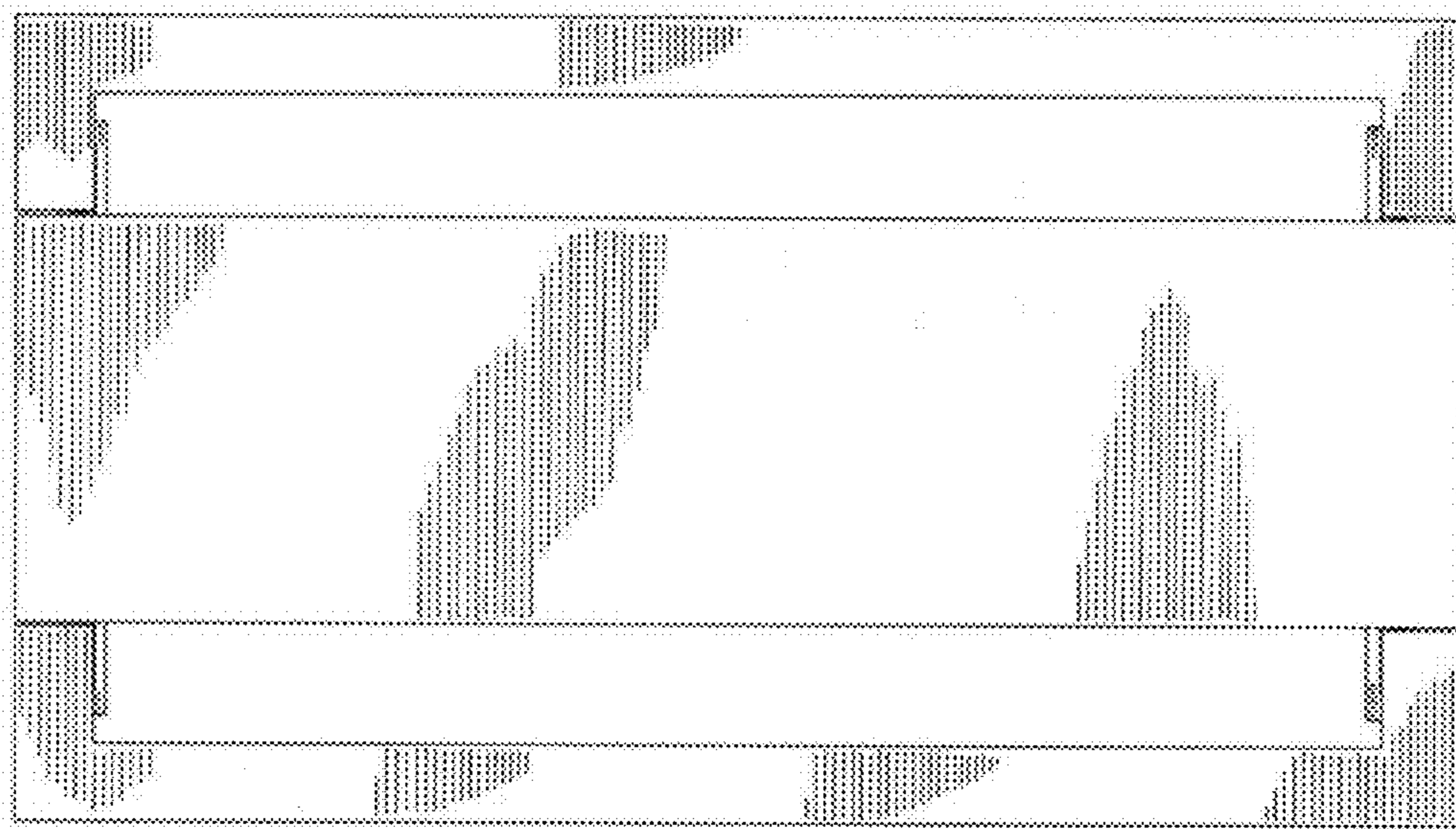
1.1



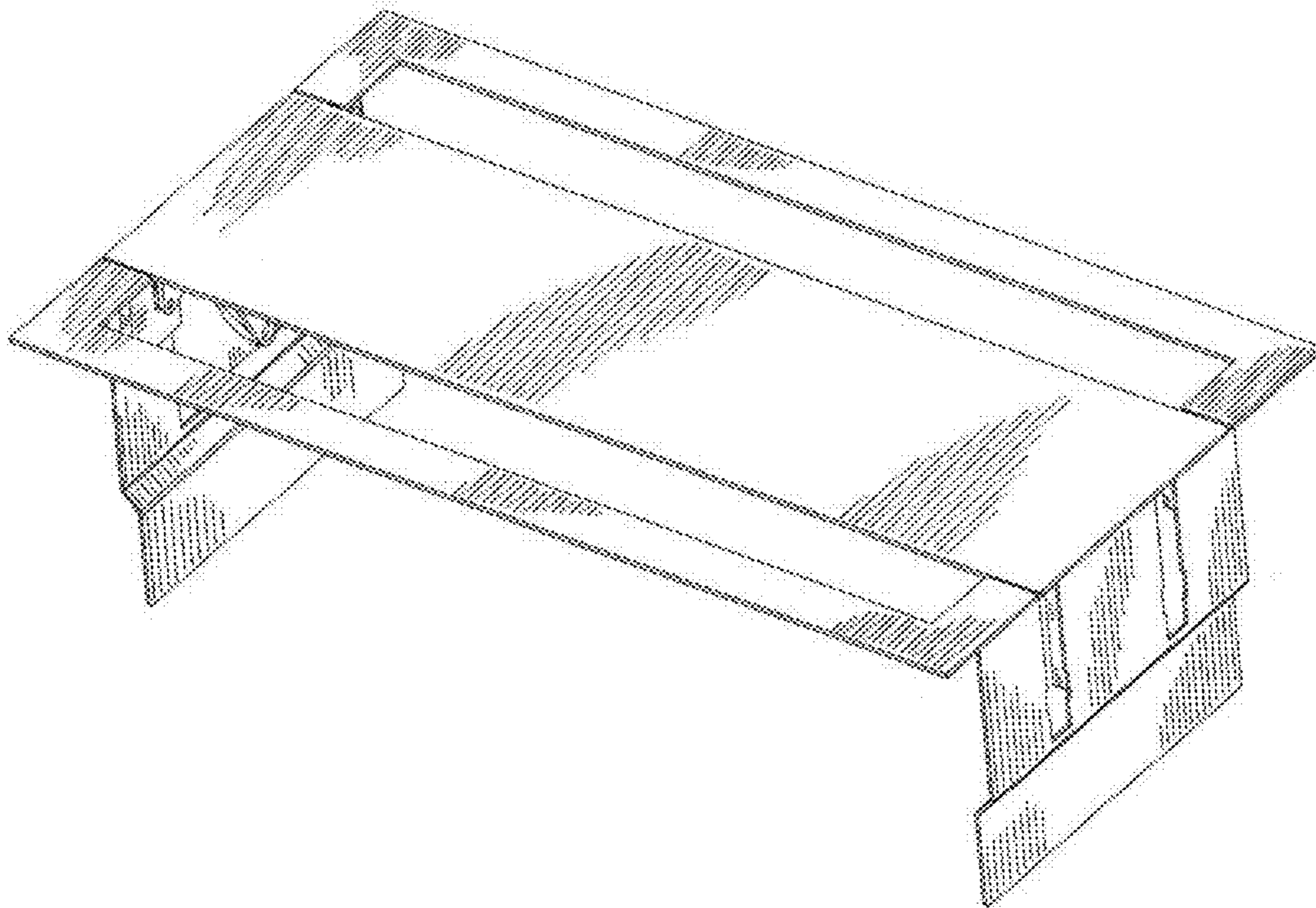
1.2



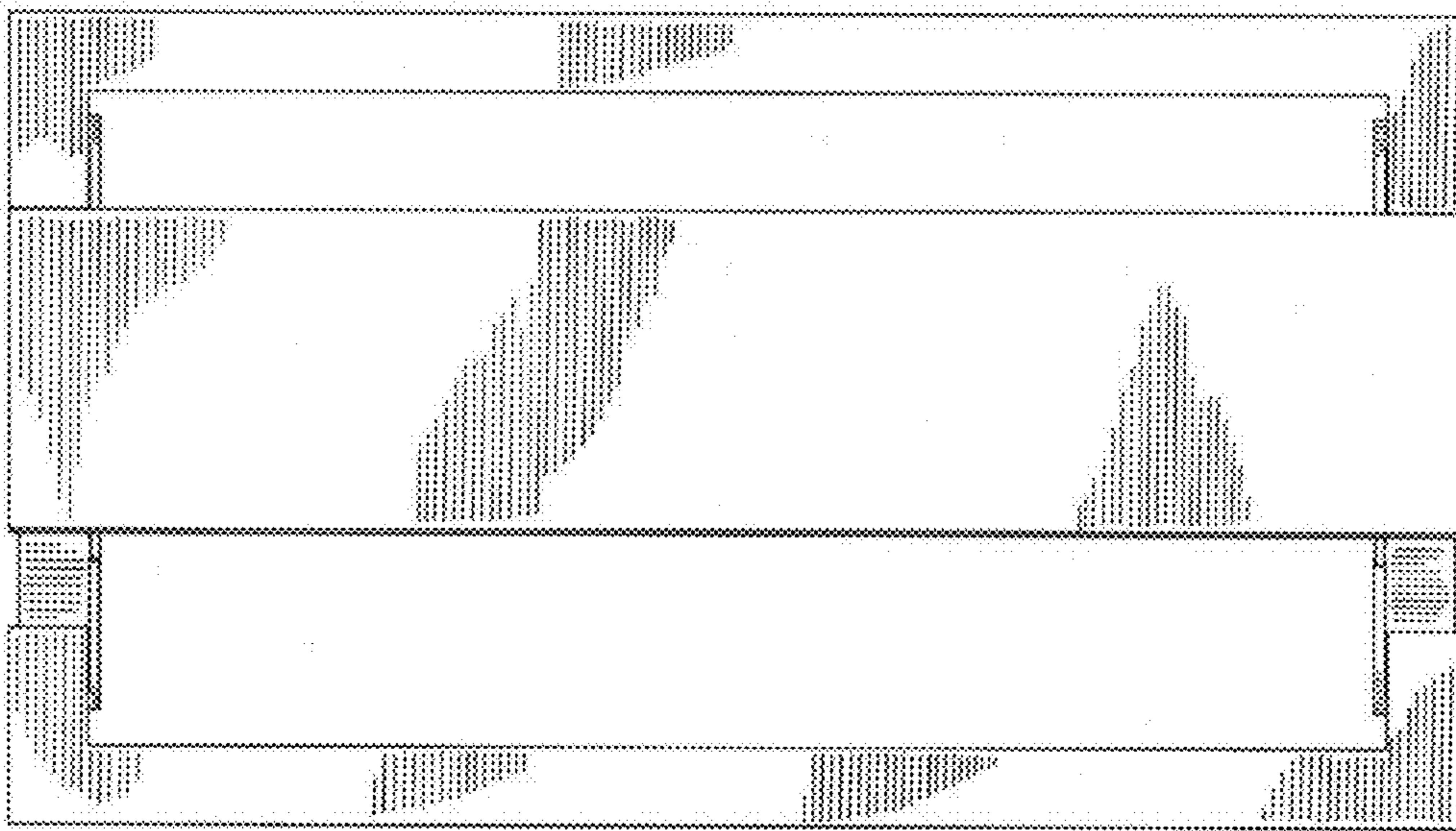
1.3



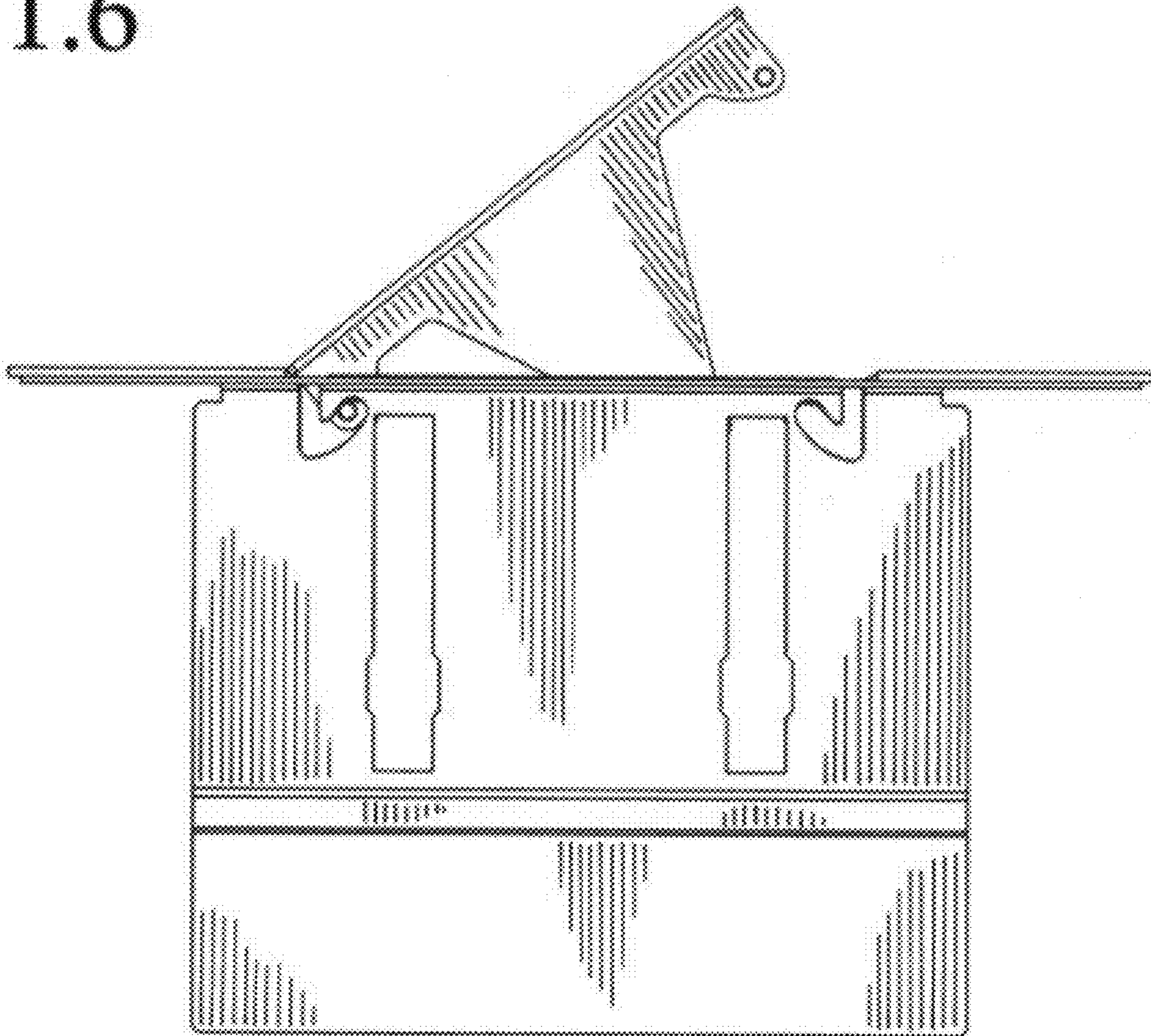
1.4



1.5



1.6



1.7

