



US00D866467S

(12) **United States Design Patent** (10) **Patent No.:** **US D866,467 S**  
**Tenzer** (45) **Date of Patent:** **\*\* Nov. 12, 2019**

(54) **ELECTRIC POWER CONTROLLER**

(71) Applicant: **ELLENBERGER & POENSGEN GMBH**, Altdorf (DE)

(72) Inventor: **Judith Tenzer**, Ulm (DE)

(73) Assignee: **Ellenberger & Poensgen GmbH**, Altdorf (DE)

(\*\*) Term: **15 Years**

(21) Appl. No.: **35/502,772**

(22) Filed: **Mar. 9, 2017**

(80) **Hague Agreement Data**

Int. Filing Date: **Mar. 9, 2017**

Int. Reg. No.: **DM/095422**

Int. Reg. Date: **Mar. 9, 2017**

Int. Reg. Pub. Date: **Apr. 7, 2017**

(51) **LOC (12) Cl.** ..... **13-03**

(52) **U.S. Cl.**  
USPC ..... **D13/123**

(58) **Field of Classification Search**  
USPC ..... D13/123, 160, 159, 158, 162, 147, 133,  
D13/110; D15/5; D14/313; 335/14;  
218/40; 439/884; 174/541

CPC ..... G01K 7/023; H01H 71/70; H01H 9/34;  
H01H 9/0066

See application file for complete search history.

(56) **References Cited**

U.S. PATENT DOCUMENTS

D367,041 S \* 2/1996 Alfaro ..... D13/160  
D541,754 S \* 5/2007 Sasaki ..... D13/159  
D567,191 S \* 4/2008 Eichinger ..... D13/158  
D659,650 S \* 5/2012 Kang ..... D13/162  
D672,319 S \* 12/2012 Winkler ..... D13/160  
D685,331 S \* 7/2013 Correll ..... D13/147  
8,921,713 B2 \* 12/2014 Eriksson ..... H01H 9/0066  
174/541

D786,796 S \* 5/2017 Frye ..... D13/133  
D796,439 S \* 9/2017 Nada ..... D13/123  
D797,672 S \* 9/2017 Nada ..... D13/123  
D798,236 S \* 9/2017 Nada ..... D13/123  
D799,474 S \* 10/2017 Menendez ..... D14/313  
D800,076 S \* 10/2017 Lin ..... D13/162  
D804,417 S \* 12/2017 Baacke ..... D13/110  
D811,327 S \* 2/2018 Mueller ..... D13/110  
D811,349 S \* 2/2018 Huettemeier ..... D13/158  
D811,350 S \* 2/2018 Huettemeier ..... D13/158  
D811,437 S \* 2/2018 Li ..... D15/5  
D812,019 S \* 3/2018 Kato ..... D13/162  
2007/0222543 A1 \* 9/2007 Schmidt ..... H01H 71/70  
335/14  
2009/0145882 A1 \* 6/2009 Birner ..... H01H 9/34  
218/40  
2012/0071038 A1 \* 3/2012 Ondusko ..... G01K 7/023  
439/884

\* cited by examiner

*Primary Examiner* — Rhea Shields

(74) *Attorney, Agent, or Firm* — Laurence A. Greenberg;  
Werner H. Stemer; Ralph E. Locher

(57) **CLAIM**

The ornamental design for an electric power controller, as shown and described.

**DESCRIPTION**

1.-2. Equipment for control of electric power

1.1 : Perspective

1.2 : Left

1.3 : Right

1.4 : Top

1.5 : Bottom

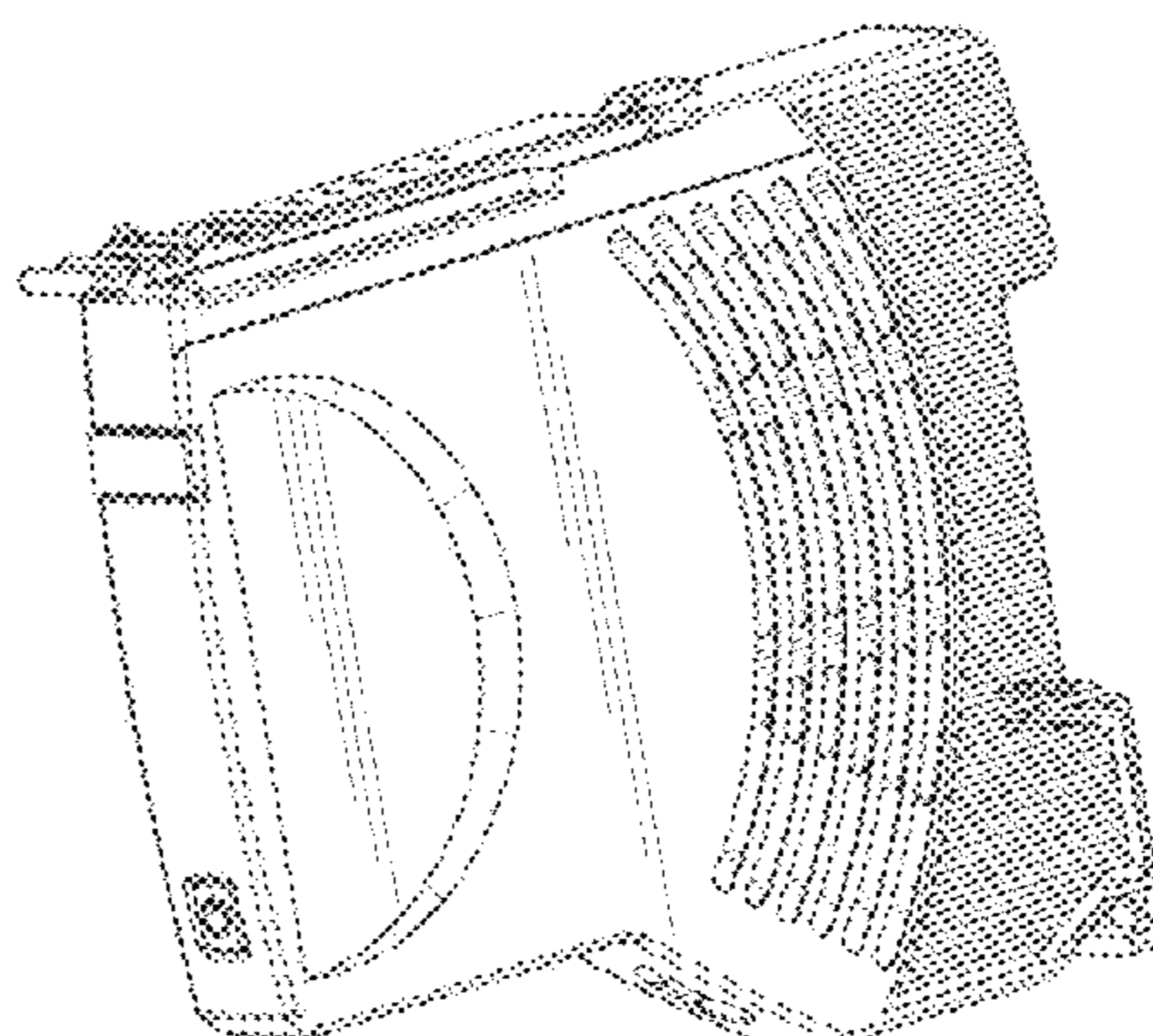
1.6 : Front

1.7 : Back

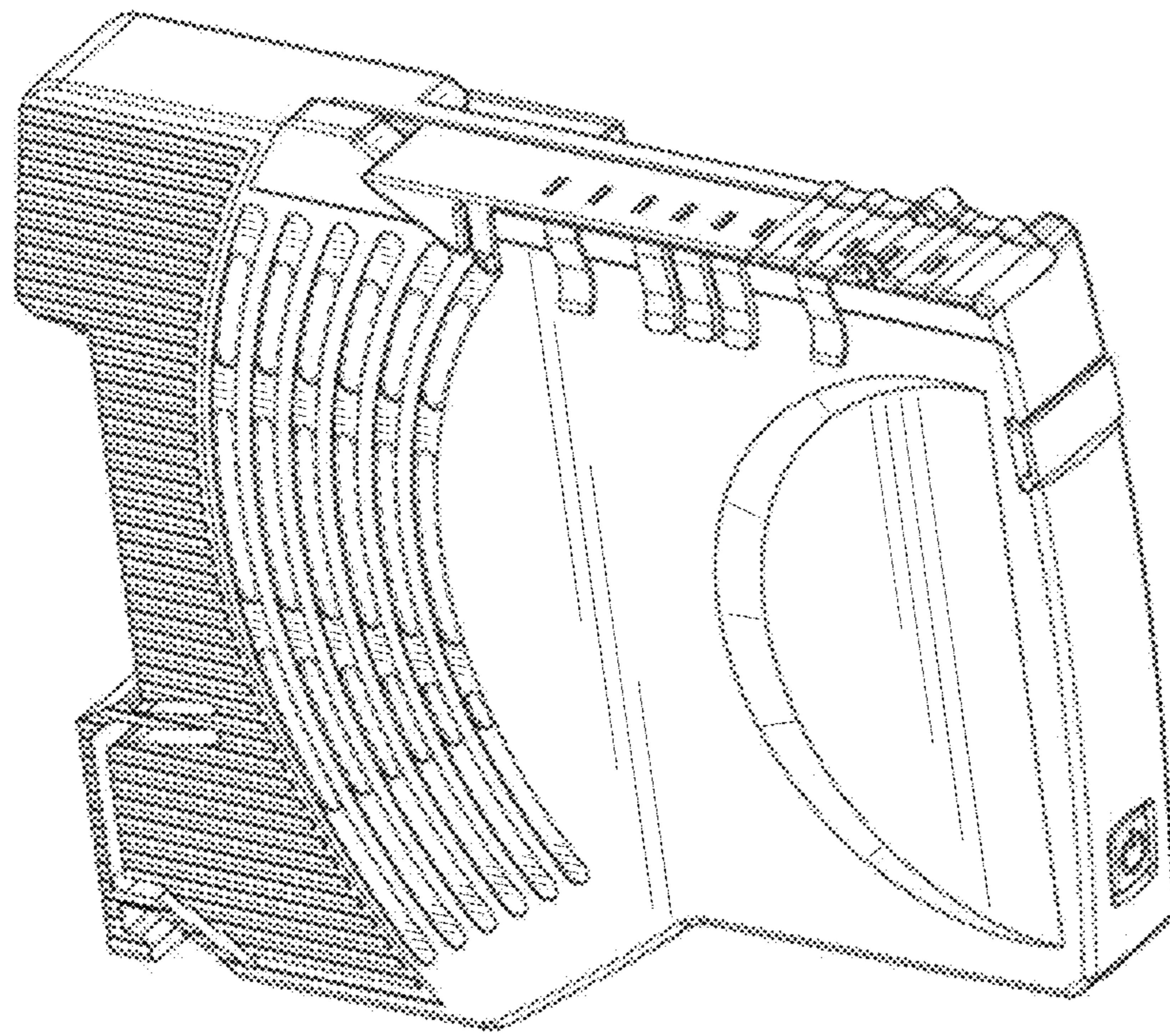
1.8 : Perspective

In the reproductions, the broken lines are for the purpose of illustrating environment only and form no part of the claimed design.

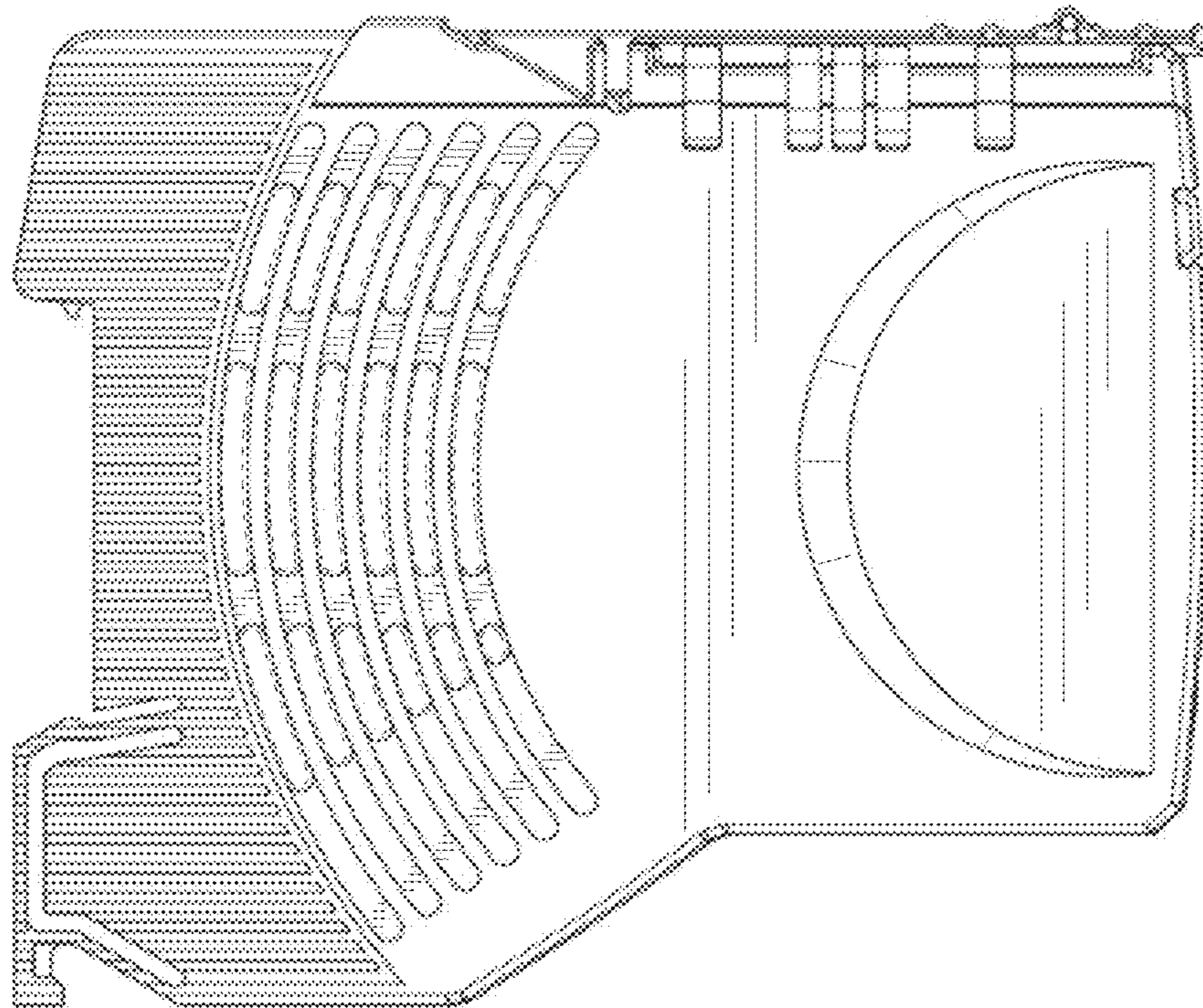
**1 Claim, 8 Drawing Sheets**



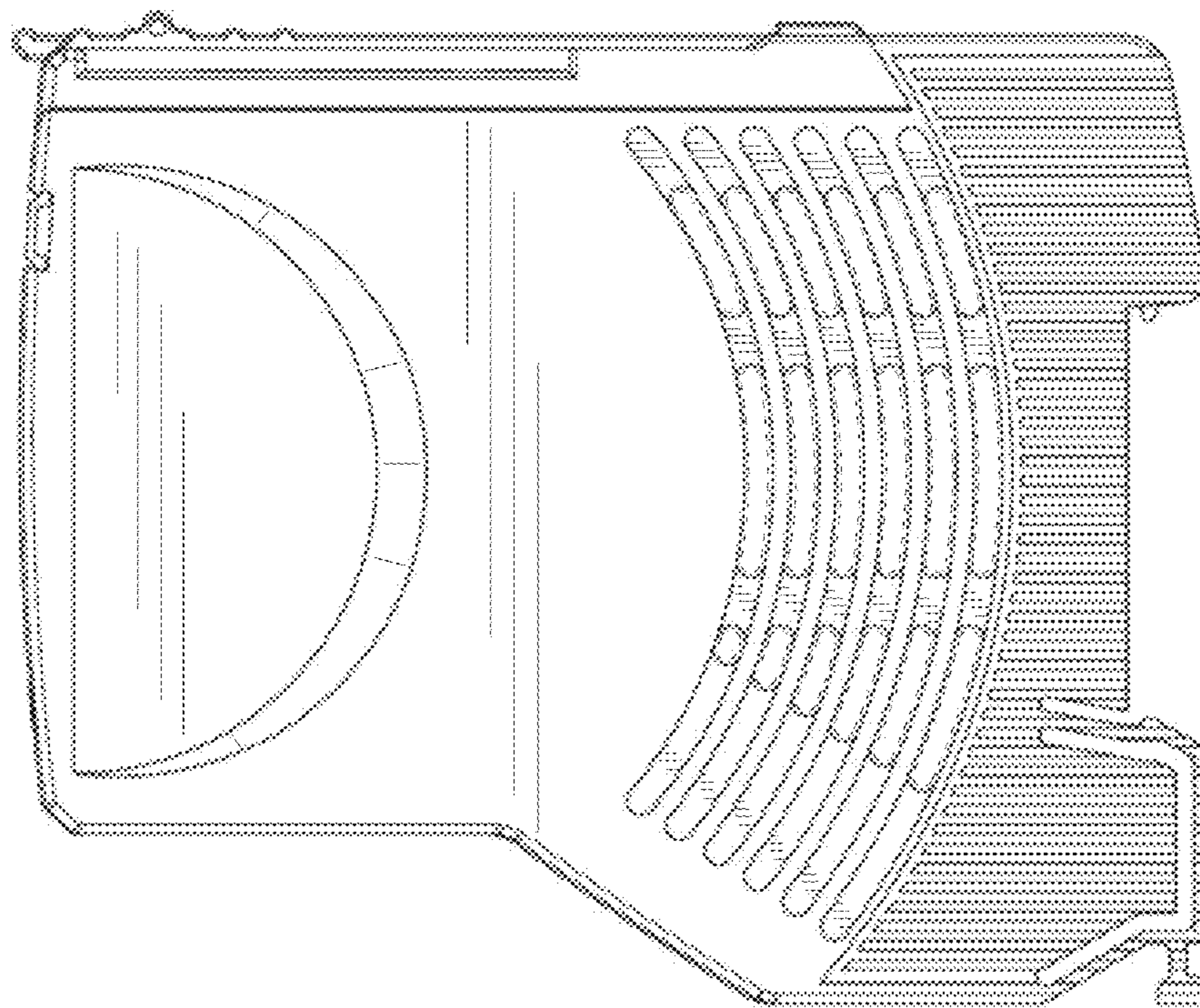
1.1



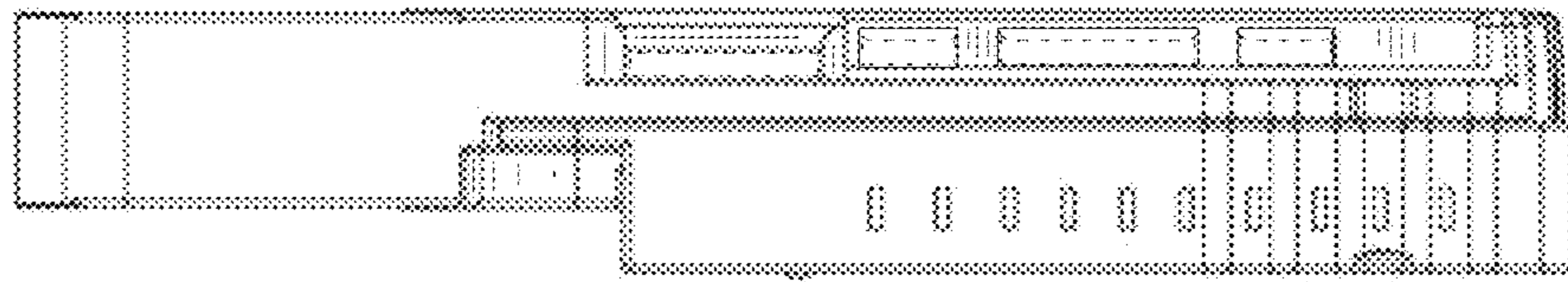
1.2



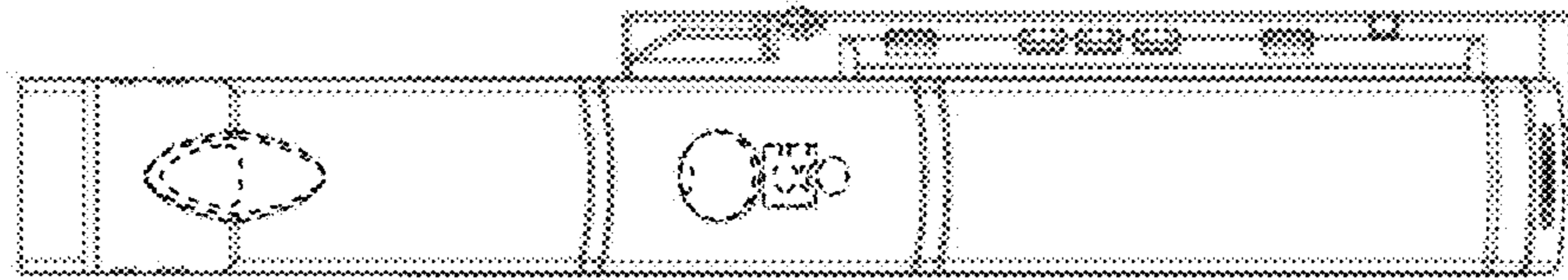
1.3



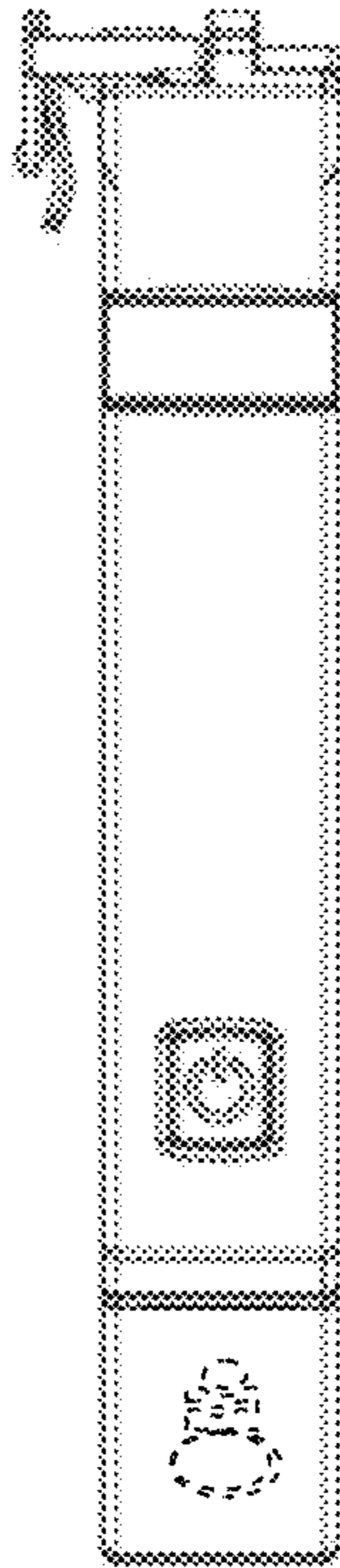
1.4



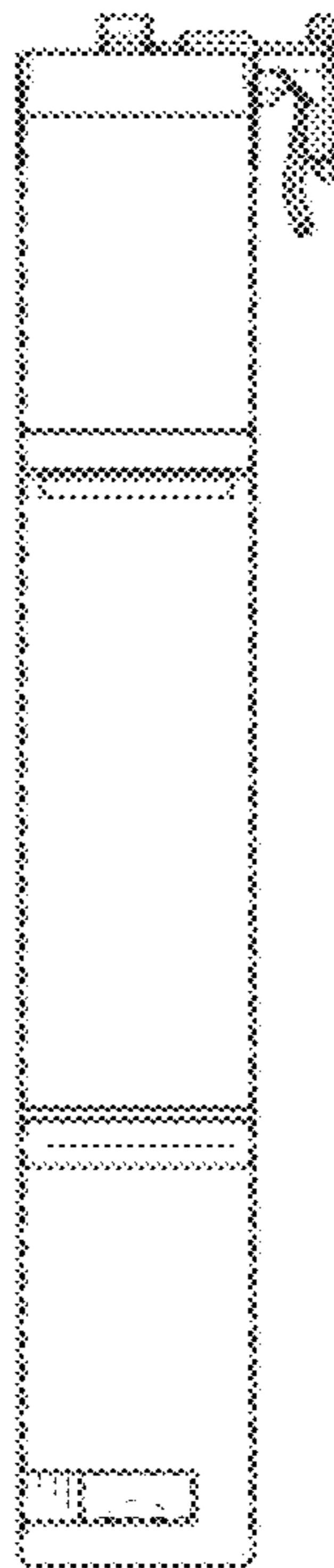
1.5



1.6



1.7





1.8

