



US00D866466S

(12) **United States Design Patent**
Vestergaard

(10) **Patent No.:** **US D866,466 S**

(45) **Date of Patent:** **** Nov. 12, 2019**

(54) **BATTERY HOLDER**

- (71) Applicant: **KK WIND SOLUTIONS A/S**, Ikast (DK)
- (72) Inventor: **Jørgen Dahl Vestergaard**, Kibæk (DK)
- (**) Term: **15 Years**
- (21) Appl. No.: **35/504,824**
- (22) Filed: **Oct. 25, 2017**
- (80) **Hague Agreement Data**

Int. Filing Date: **Oct. 25, 2017**
 Int. Reg. No.: **DM/098850**
 Int. Reg. Date: **Oct. 25, 2017**
 Int. Reg. Pub. Date: **Apr. 27, 2018**

- (51) **LOC (12) Cl.** **13-02**
- (52) **U.S. Cl.**
USPC **D13/119**

- (58) **Field of Classification Search**
USPC D13/102–110, 118–119, 184, 199;
D14/356, 432
CPC Y02E 60/10; Y02E 60/12; Y02E 60/122;
Y02E 60/124; Y02E 60/50; H01M 2/02;
H01M 2/022; H01M 2/0202; H01M
2/0207; H01M 2/0212; H01M 2/1061;
H01M 2/1022; H01M 2/1055; H01M
2/1066; H01M 2/105; H01M 2/20; H01M
2/204; H01M 2/206; H01M 2/22; H01M
10/44; H01M 10/46; H01M 10/465;
H01M 10/482; H01M 2200/30; H01M
2250/30; H01M 2250/40; H02J 7/00;
H02J 7/0003; H02J 7/0011; H02J 7/0013;
H02J 7/0054; H02J 7/0055; H02J 7/0057;
H02J 2007/0062; H04M 1/0283
See application file for complete search history.

(56) **References Cited**

U.S. PATENT DOCUMENTS

- 1,734,645 A * 11/1929 Polland B6R 16/04
180/68.5
- D222,804 S * 1/1972 Delzer D13/119

- 6,635,380 B1 * 10/2003 Shimoda H01M 2/0247
429/148
- D602,857 S * 10/2009 Melzner D13/103
- D611,413 S * 3/2010 Brockington D13/119
- 8,168,316 B2 * 5/2012 Wu H01M 2/1016
429/151
- 8,420,250 B2 * 4/2013 Kim H01M 2/1077
429/151
- 8,557,418 B2 * 10/2013 Byun H01M 2/0237
429/156
- 2005/0281002 A1 * 12/2005 Miller H01M 2/1077
361/716
- 2009/0269657 A1 * 10/2009 Mita H01M 2/1077
429/151
- 2013/0313953 A1 * 11/2013 Lee H01M 2/1077
312/236
- 2014/0017528 A1 * 1/2014 Uehara H01M 2/202
429/61
- 2016/0118696 A1 * 4/2016 Ahn H01M 10/425
429/50

* cited by examiner

Primary Examiner — Barbara Fox

Assistant Examiner — Nathaniel D. Buckner

(57) **CLAIM**

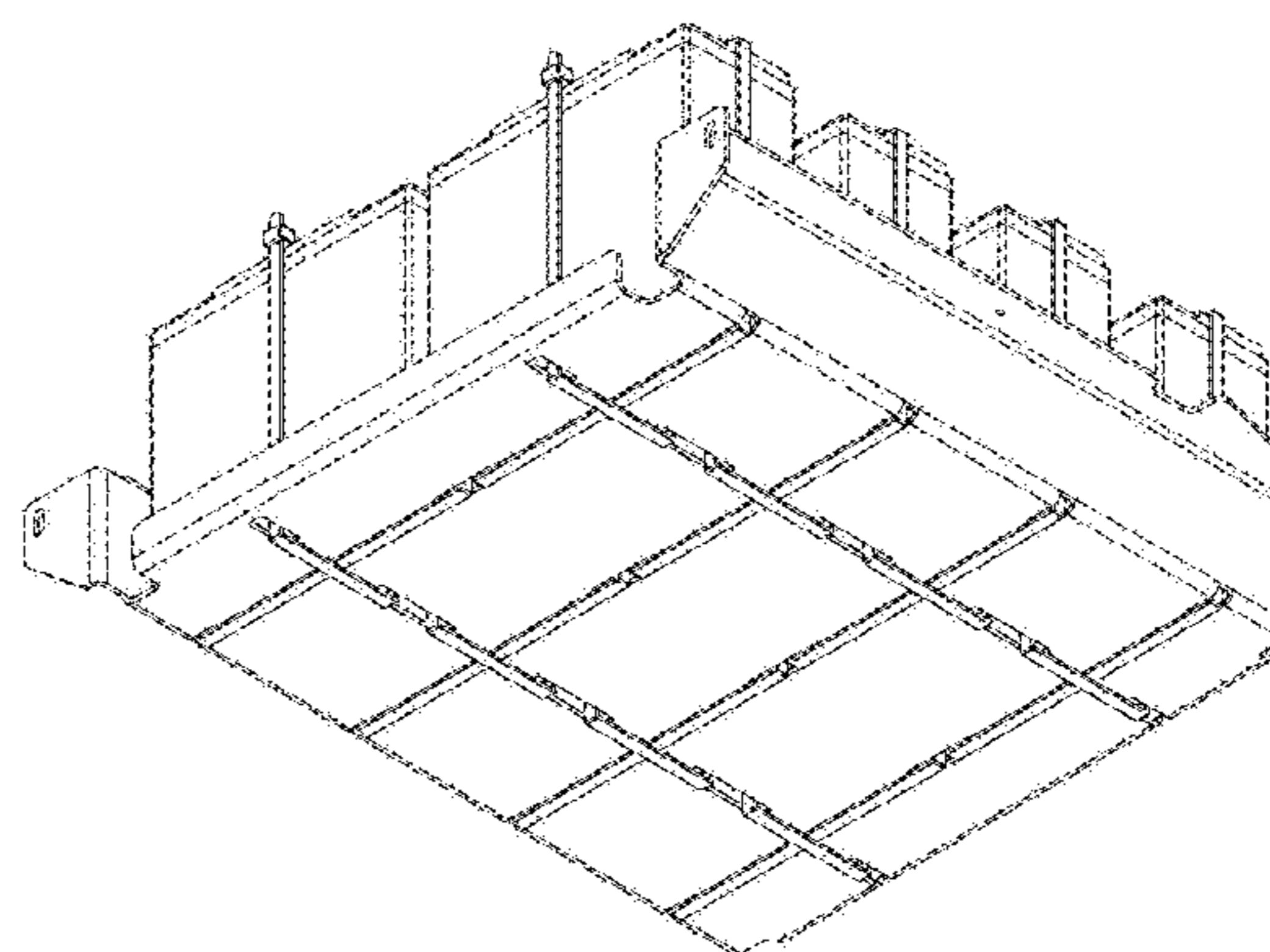
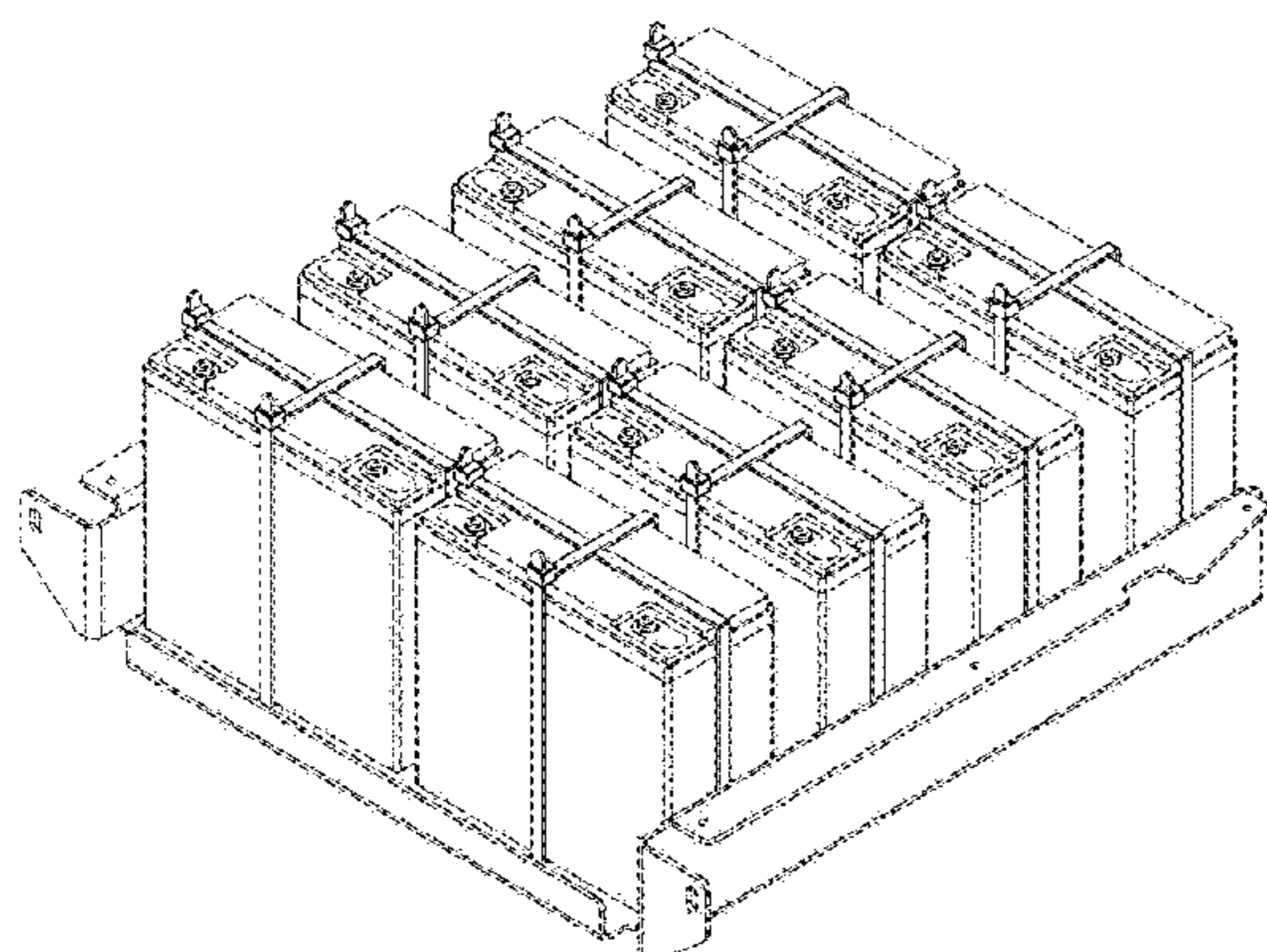
The ornamental design for a battery holder, as shown and described.

DESCRIPTION

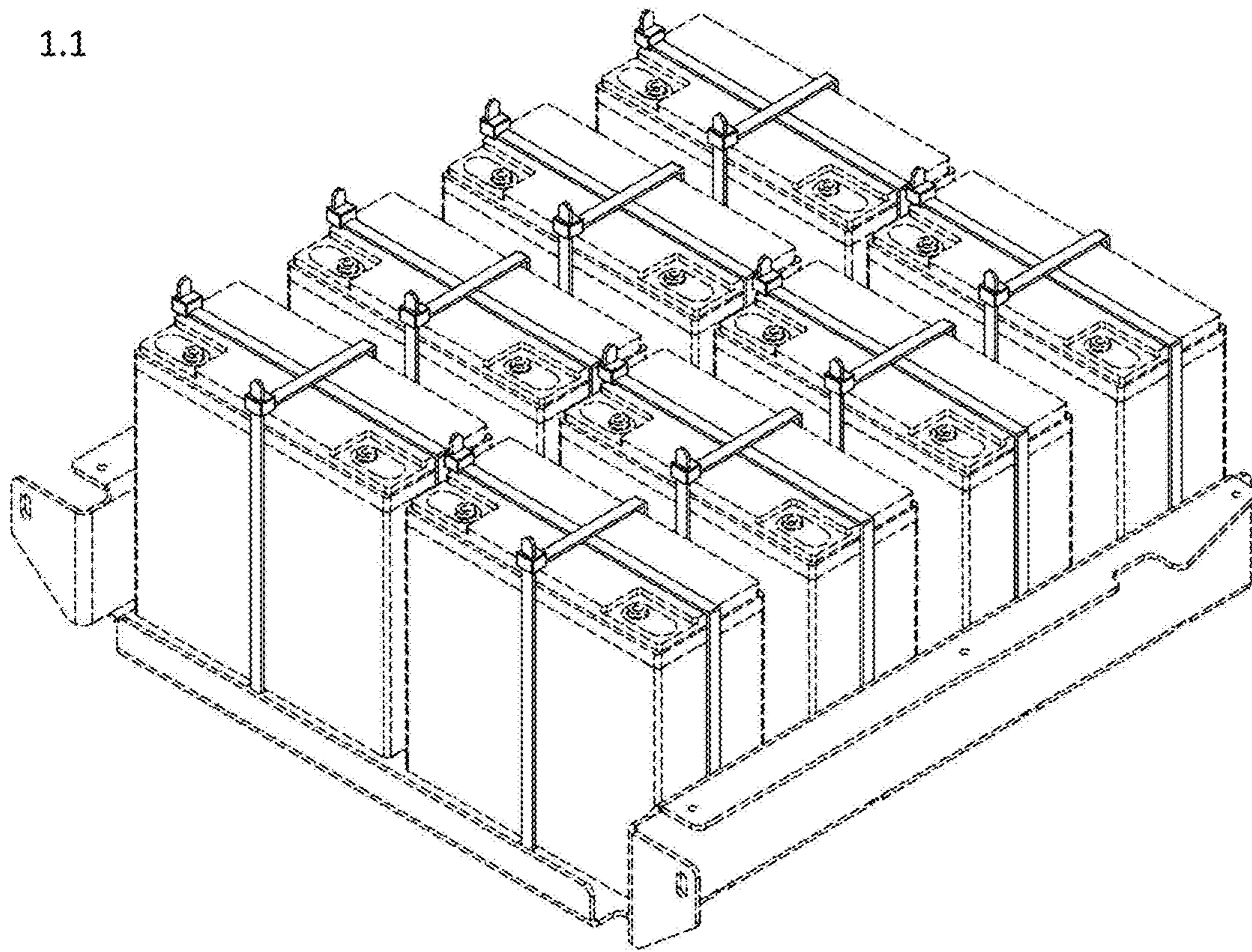
- 1. Battery holder
- 1.1 : Perspective
- 1.2 : Front
- 1.3 : Right
- 1.4 : Top
- 1.5 : Bottom
- 1.6 : Perspective

The broken lines in the reproductions depict portions of the battery holder and environmental structure that form no part of the claimed design.

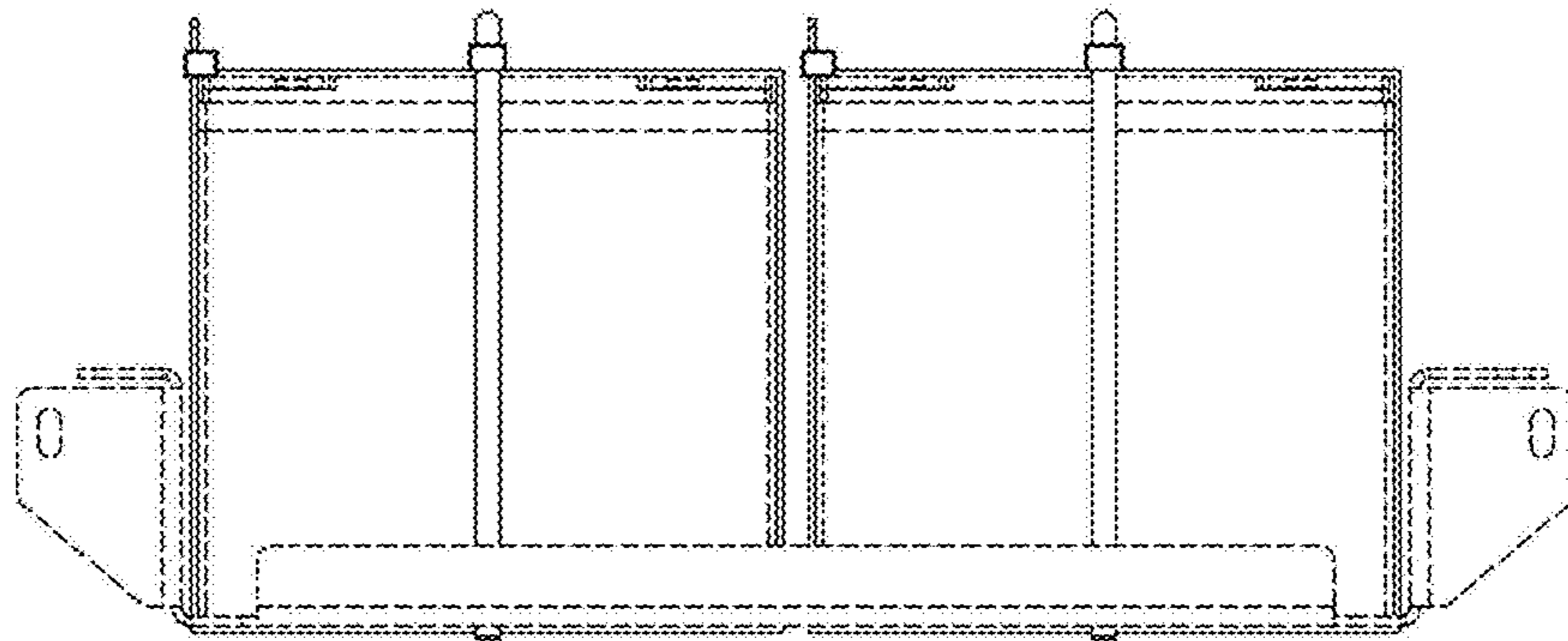
1 Claim, 6 Drawing Sheets



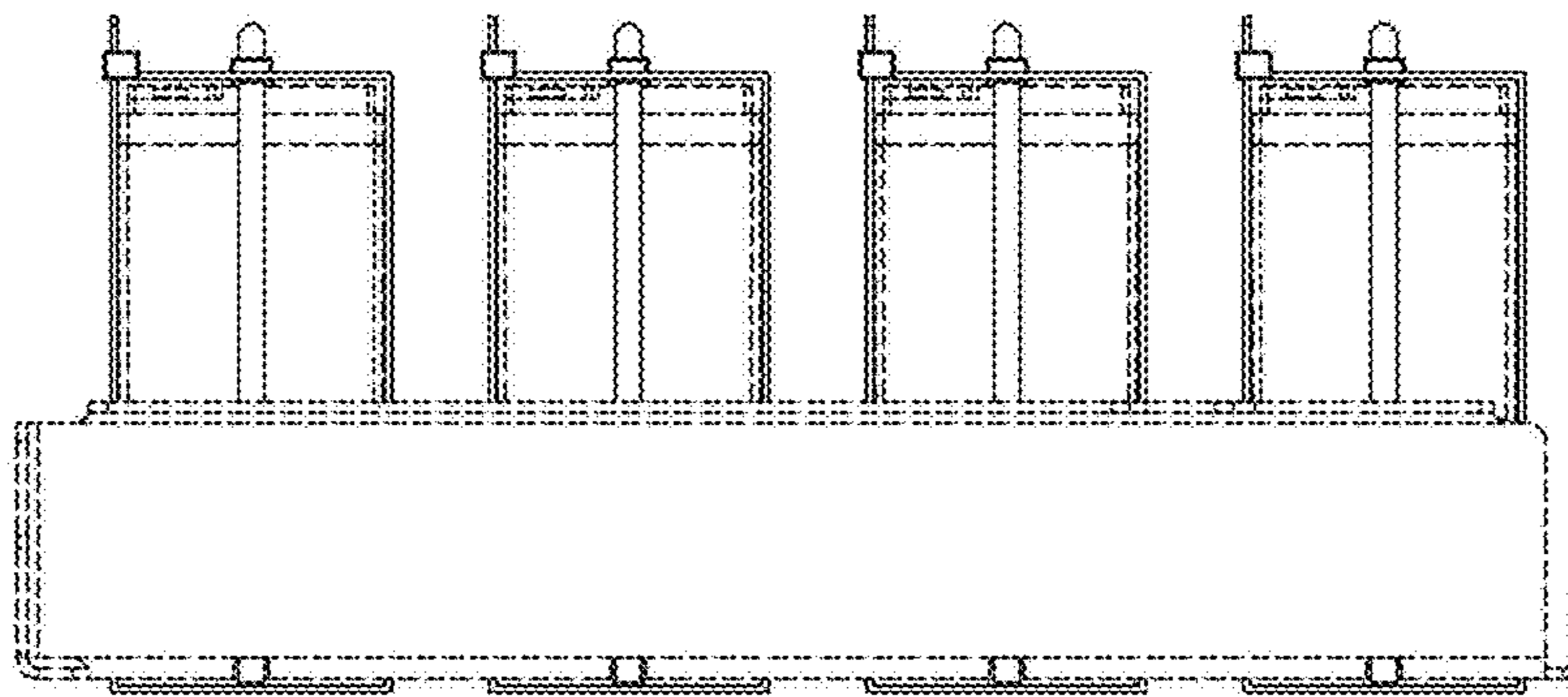
1.1



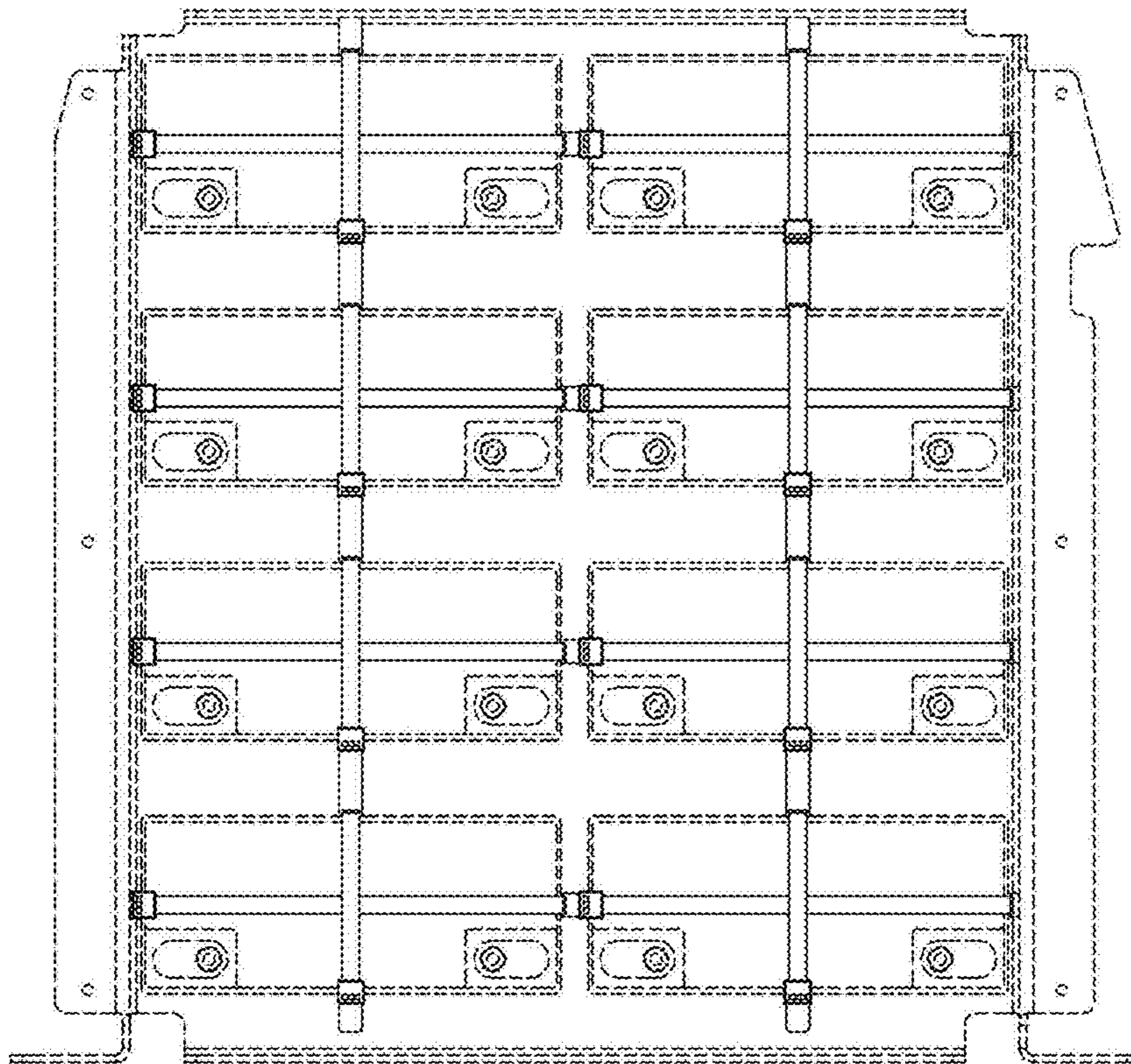
1.2



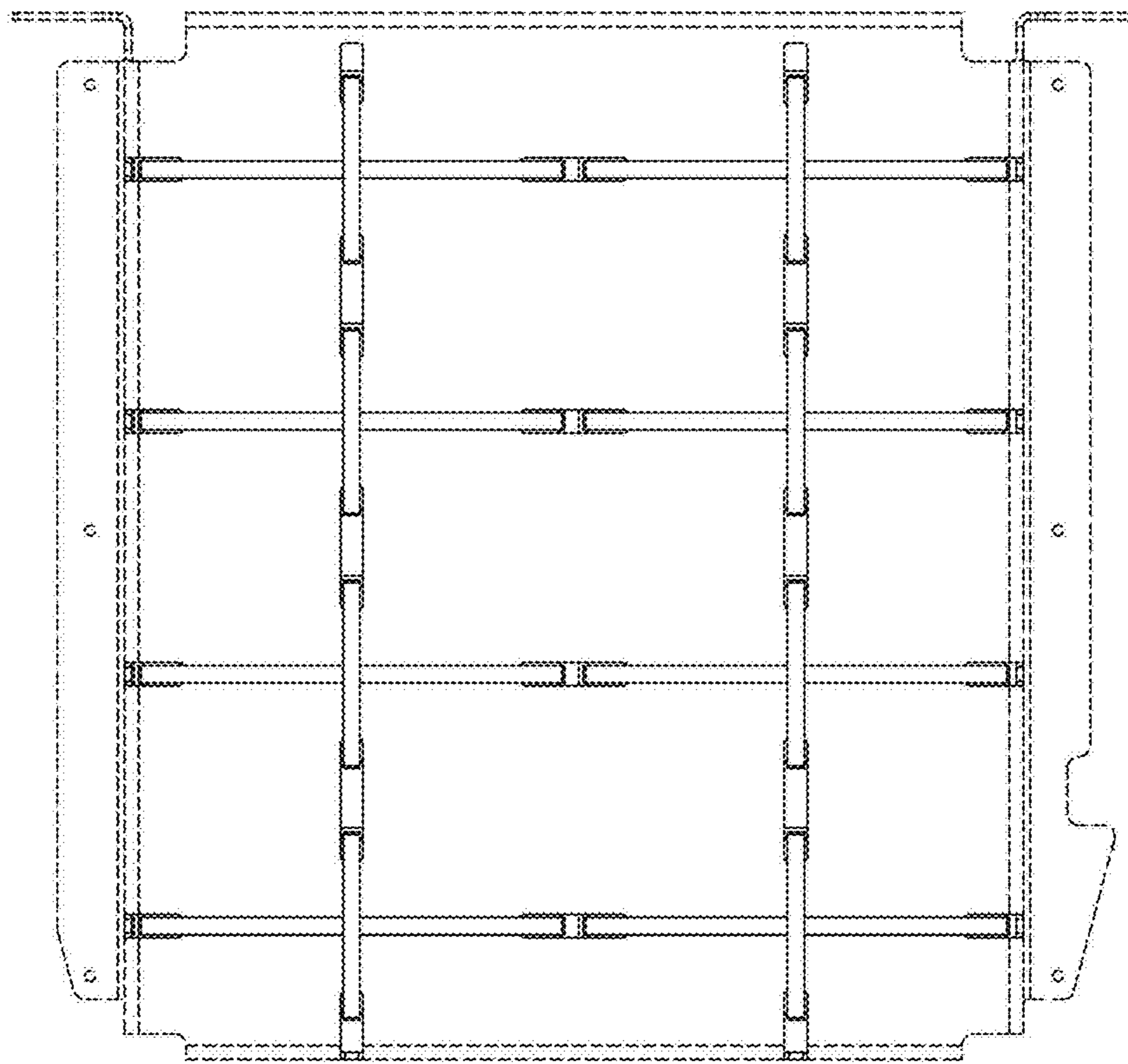
1.3



1.4



1.5



1.6

