



US00D866465S

(12) **United States Design Patent**
Harrison

(10) **Patent No.:** **US D866,465 S**
(45) **Date of Patent:** **** Nov. 12, 2019**

(54) **BRACKET FOR A BATTERY CHARGING CABLE**

(71) Applicant: **Mark Harrison**, Rochester, NY (US)
(72) Inventor: **Mark Harrison**, Rochester, NY (US)
(**) Term: **15 Years**

(21) Appl. No.: **29/621,309**

(22) Filed: **Oct. 6, 2017**

(51) **LOC (12) Cl.** **13-02**

(52) **U.S. Cl.**

USPC **D13/119**; D8/356

(58) **Field of Classification Search**

USPC D13/101, 107, 118, 119, 153, 154, 184,
D13/199; D14/238, 238.1, 251; D9/415,
D9/418, 431; D6/526, 567; D8/349,
D8/353, 354, 356; D19/75, 78, 84, 91;
D24/128

CPC A47B 2097/003; A47B 2097/005; A47J
45/02; F16M 13/02; H01B 7/0045

See application file for complete search history.

(56) **References Cited**

U.S. PATENT DOCUMENTS

D280,466 S *	9/1985	Seltzer	D12/422
D294,805 S *	3/1988	Boyer	D9/415
D361,462 S *	8/1995	Newham	D6/567
D426,041 S *	5/2000	Boghossian	D34/6
6,484,918 B1	11/2002	Lefebvre		
9,166,428 B2	10/2015	Ono et al.		
9,327,606 B2	5/2016	Ono et al.		
D779,466 S *	2/2017	Wengreen	D14/238.1
2005/0023419 A1 *	2/2005	Frankel	A47J 45/02 248/206.3
2012/0126081 A1 *	5/2012	Wengreen	F16M 13/02 248/304

FOREIGN PATENT DOCUMENTS

JP 05845456 B2 1/2016

OTHER PUBLICATIONS

CGTrader, USB Cable Holder Free 3D Print Model, Webpage found at <https://www.cgtrader.com/free-3d-print-models/gadgets/pc-laptop/usb-cable-holder> retrieved on Mar. 14, 2017.

3Dupndown, Simple Cable Holder, Webpage found at http://3dupndown.com/content/?page=&pcode=cont_view_new&mtype=au&idx=916&chargeType= retrieved on Mar. 14, 2017.

Ugreen 2pcs Adhesive ABS Stick Wall Holder Hanger Power Plug Cable Key Hat Hook, Webpage found at <https://www.ebay.com/itm/Ugreen-2pcs-Adhesive-ABS-Stick-Wall-Holder-Hanger-Power-Plug-Cable-Key-Hat-Hook-/152200486146> retrieved on Mar. 14, 2017.

AliExpress, Practical Power Plug Wall Hanger Decorative Wall Hook Clothes Rack, Webpage found at https://www.aliexpress.com/store/product/Practical-power-plug-wall-hanger-decorative-wall-hook-clothes-rack-perchero-pared-door-towel-key-hanger/1875600_32429919380.html retrieved on Mar. 14, 2017.

(Continued)

Primary Examiner — Derrick E Holland

(74) *Attorney, Agent, or Firm* — Woods Oviatt Gilman LLP; Katherine H. McGuire, Esq.

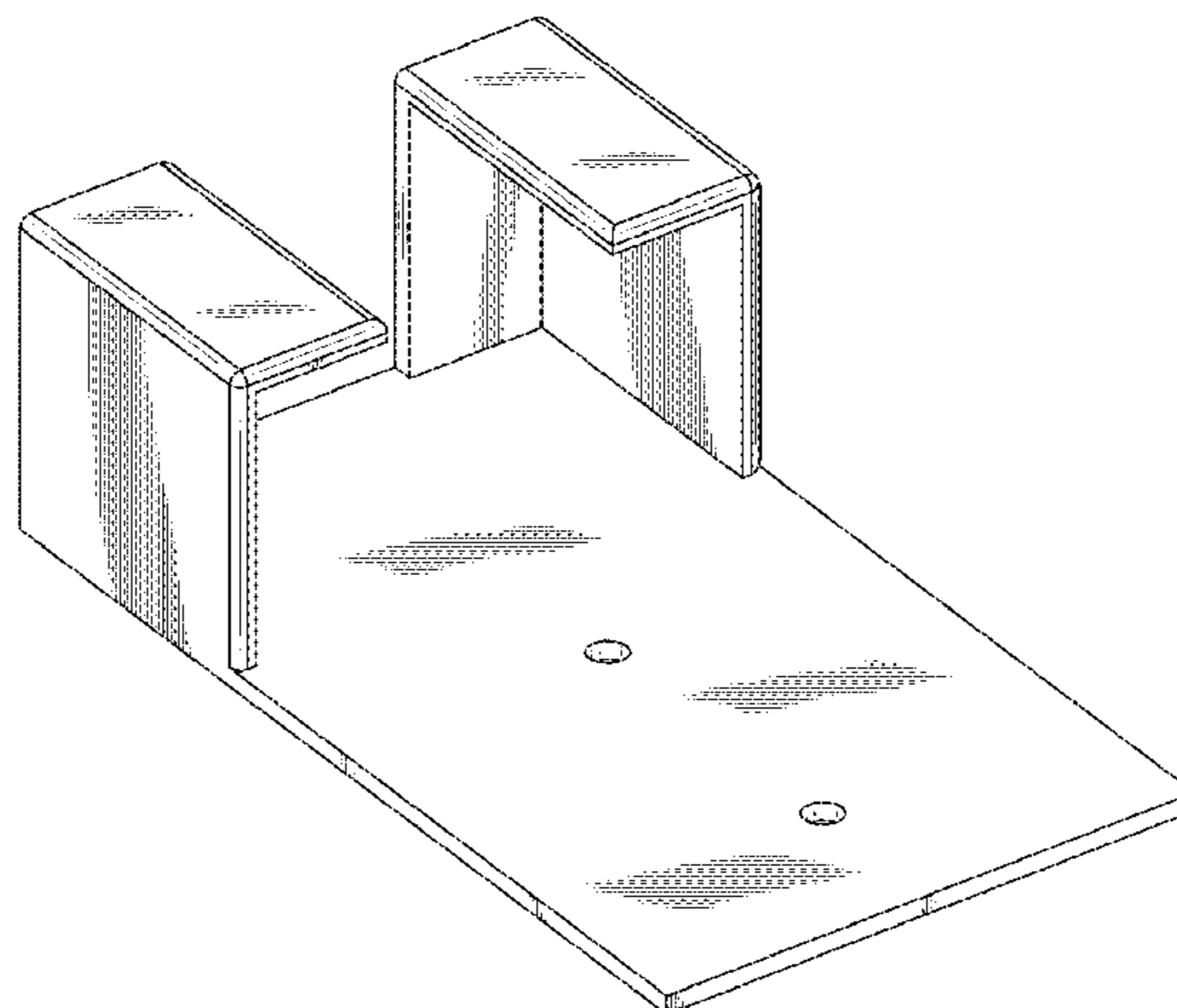
(57) **CLAIM**

The ornamental design for a bracket for a battery charging cable, as shown and described.

DESCRIPTION

FIG. 1 is a front perspective view of a bracket for a battery charging cable showing my new design;
FIG. 2 is another front perspective view thereof;
FIG. 3 is a front elevational view thereof;
FIG. 4 is a left side elevational view thereof;
FIG. 5 is a right side elevational view thereof;
FIG. 6 is a top plan view thereof;
FIG. 7 is a bottom plan view thereof; and,
FIG. 8 is a rear elevational view thereof.

1 Claim, 3 Drawing Sheets



(56)

References Cited

OTHER PUBLICATIONS

YesStyle, Home Simply—Plug Wall Holder, Webpage found at <https://www.yesstyle.com/en/home-simply-plug-wall-holder-green-one-size/info.html/pid.1050295595> retrieved on Mar. 14, 2017.

Thingiverse, UK Plug Holder, Webpage found at <https://www.thingiverse.com/thing:1159215> retrieved on Mar. 14, 2017.

AliExpress, 5pcs Power Cable Holder Cute Pink/White Key Organizer Wall Sticky Hook, Webpage found at <https://www.aliexpress.com/item/5pcs-Power-Cable-Holder-Cute-Pink-White-Key-Organizer-Multifunctional-Hook-Home-Storage-Plastic-Protective-Socket/32727386556.html?spm=2114.40010308.4.170.6qubXW> retrieved on Mar. 14, 2017.

2pcs Wall Hanger Adhesive Power Cord Plug Linked Socket Holder Hanger Hook, Webpage found at <http://www.ebay.com.au/itm/222281388081?rmvSB=true> retrieved on Mar. 14, 2017.

Wire Cord Storage Strong Rack Plug Cable Organizer Holder Hook Wall Hanger, Webpage found at https://www.ebay.com/itm/Wire-Cord-Storage-Strong-Rack-Plug-Cable-Organizer-Holder-Hook-Wall-Hanger/152256630697?_trksid=p2047675.c100011.m1850&_trkparms=aid%3D222007%26algo%3DSIC.MBE%26ao%3D1%26asc%3D41375%26meid%3D9436afaddb534af59bb05004f9a05aaf%26pid%252 retrieved on Mar. 14, 2017.

* cited by examiner

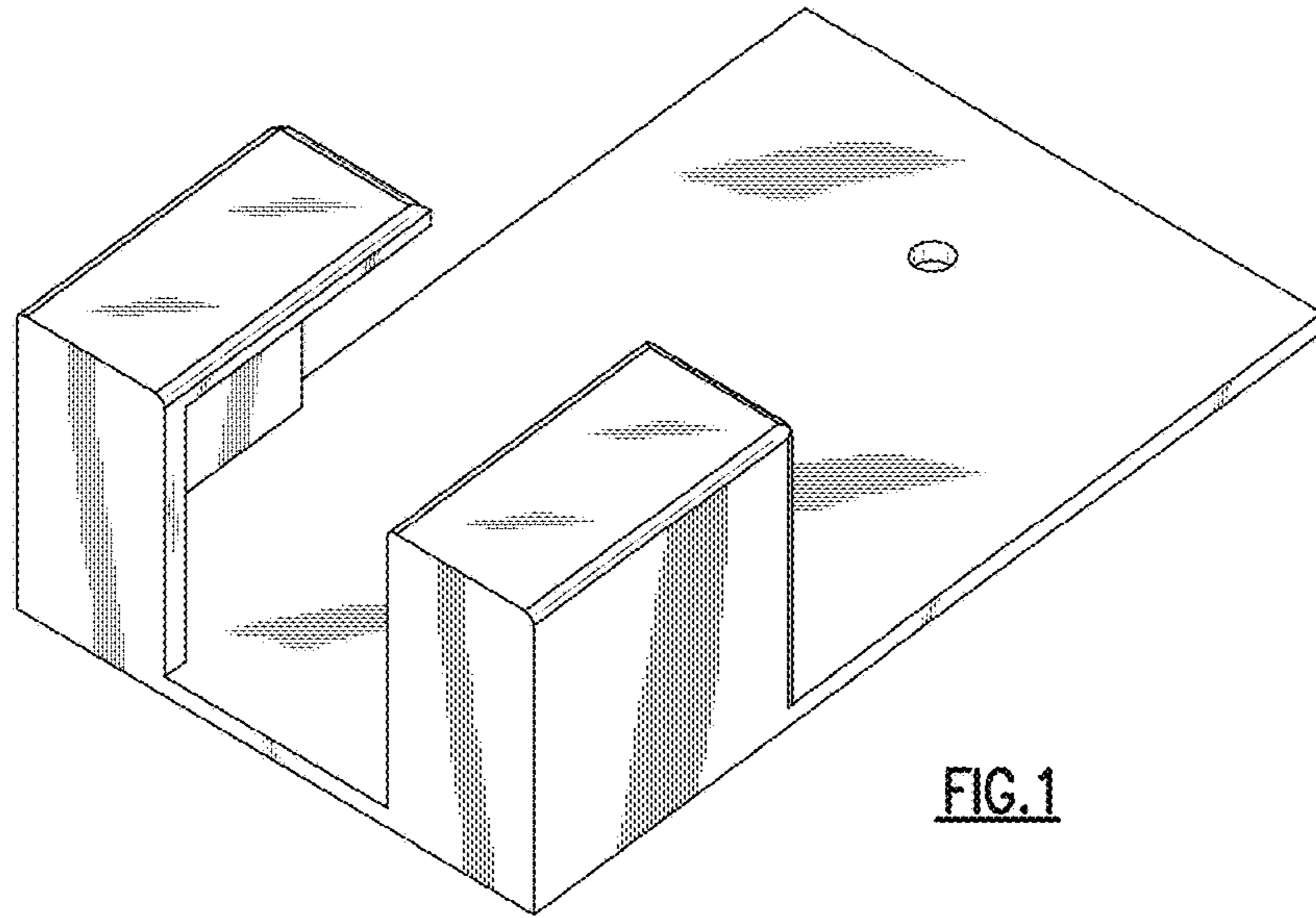


FIG.1

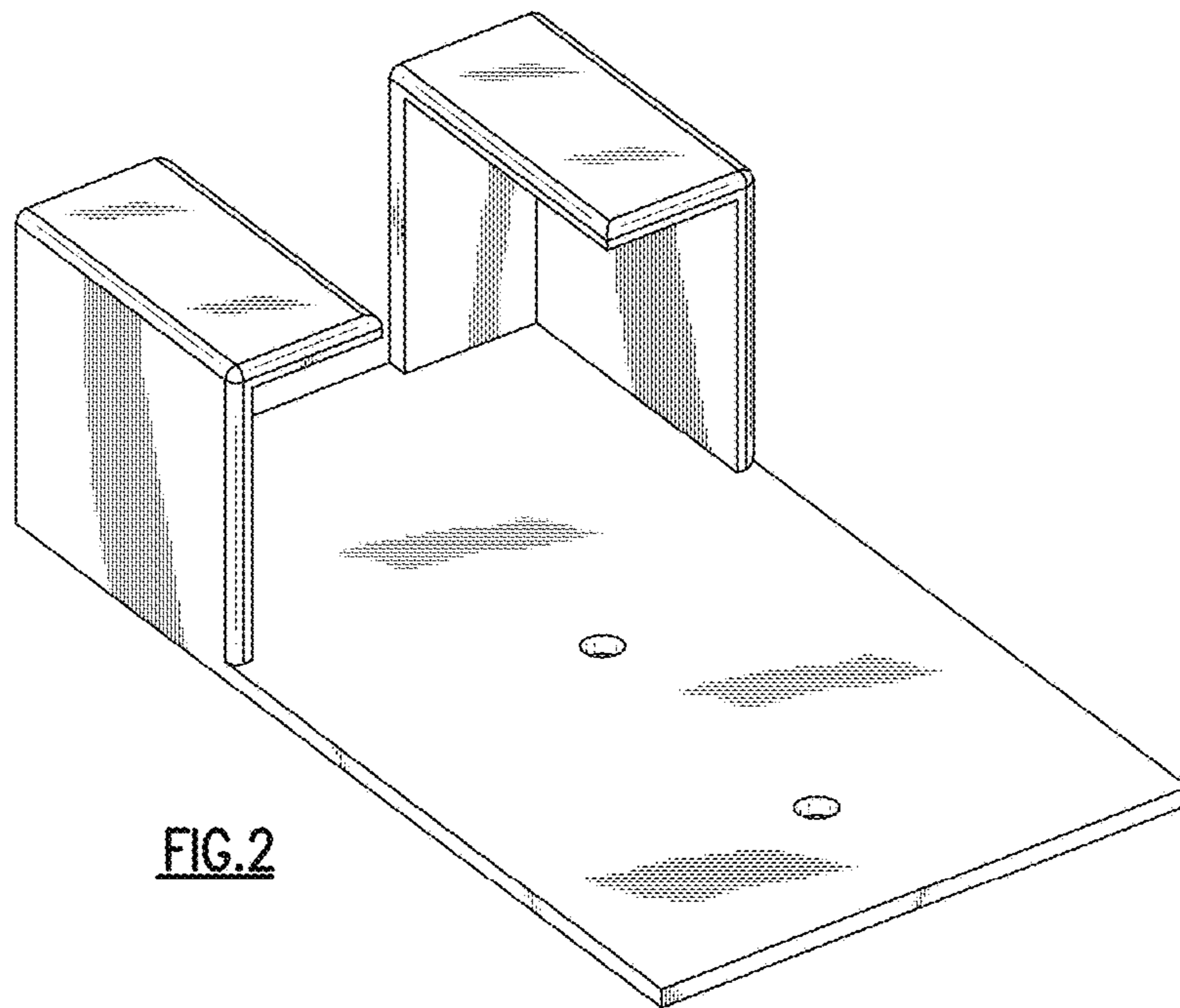


FIG.2

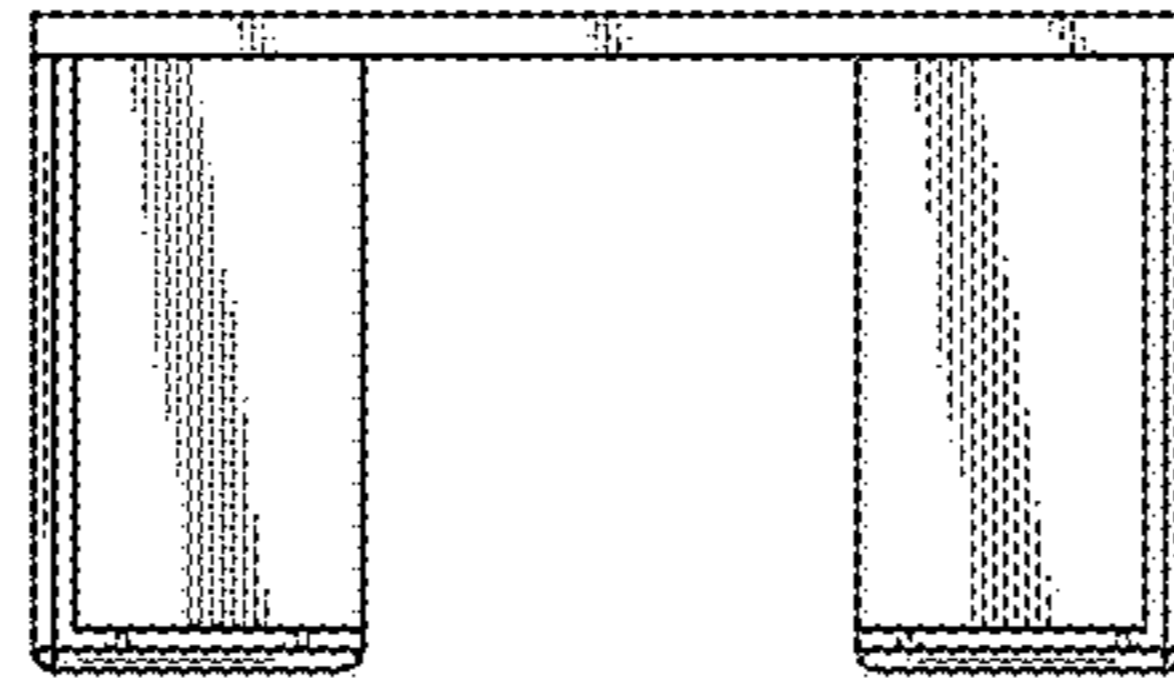


FIG. 6

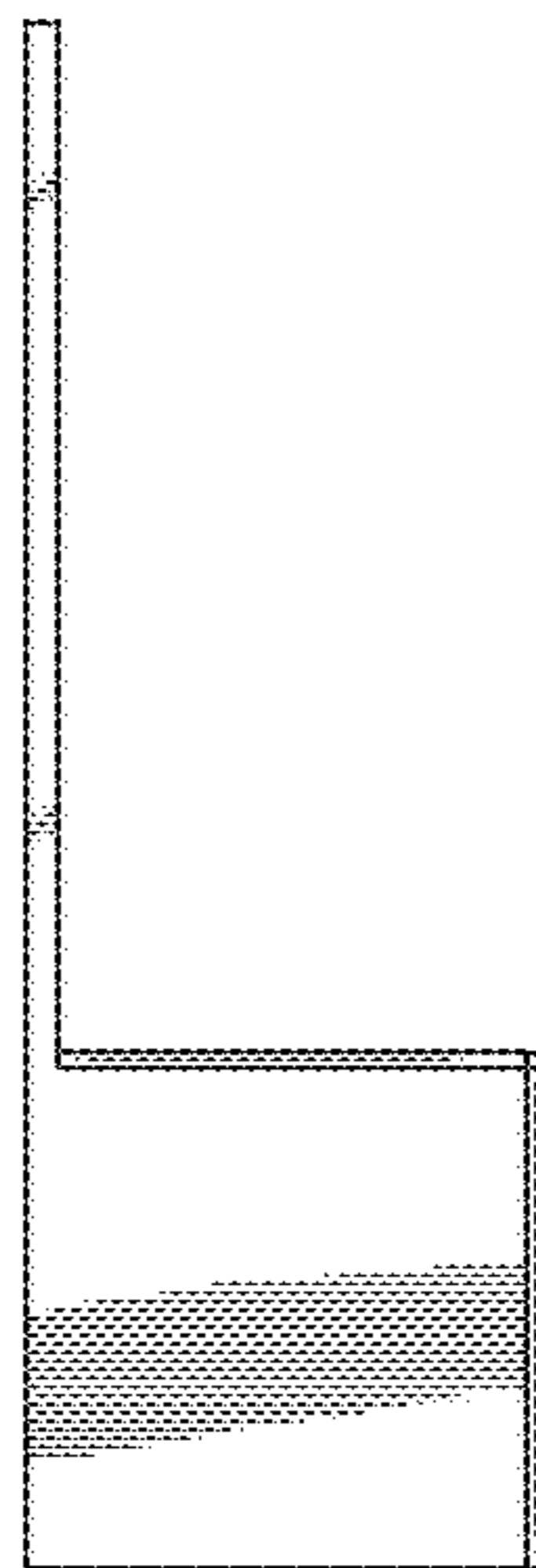


FIG. 4

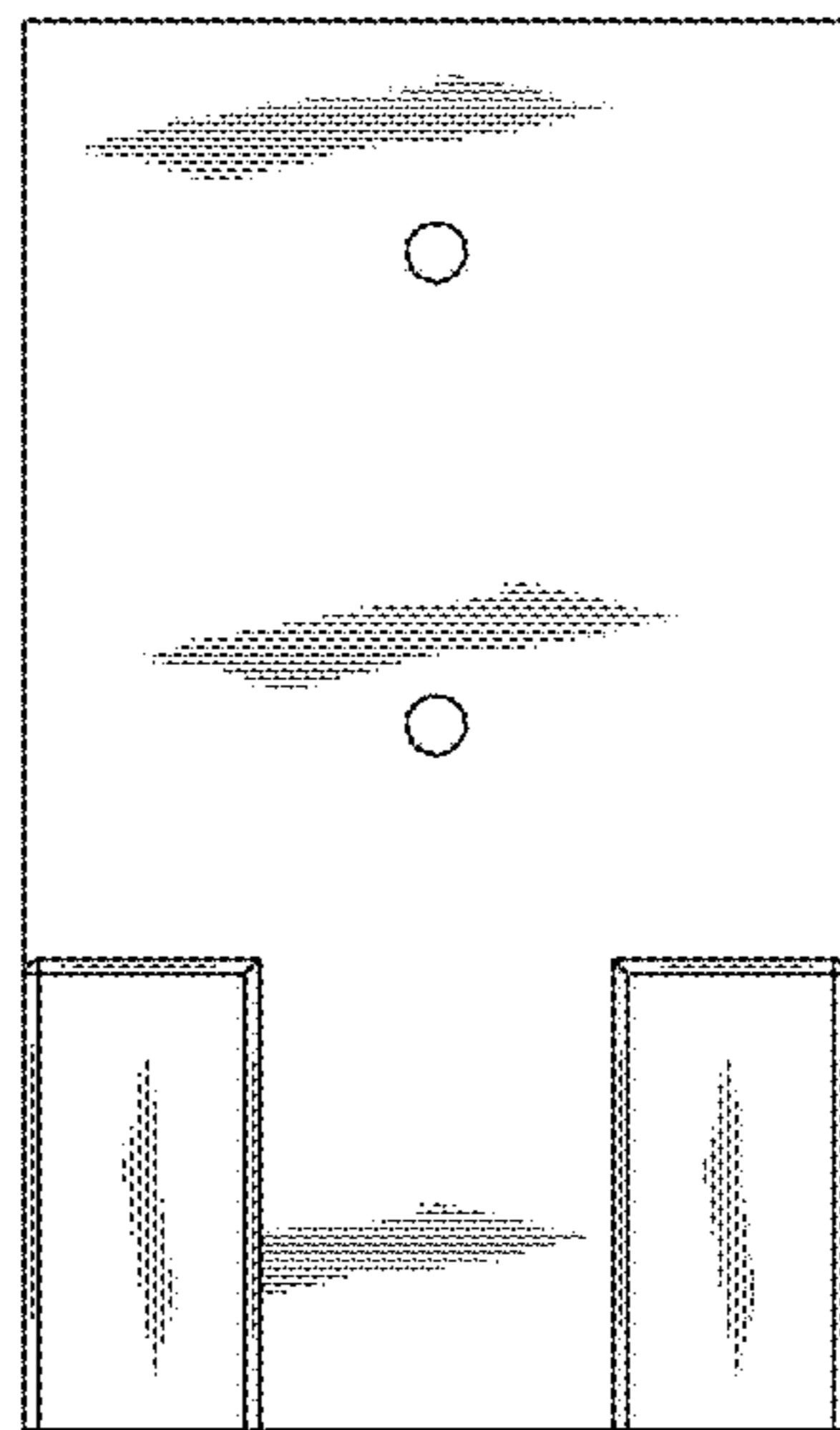


FIG. 3



FIG. 5

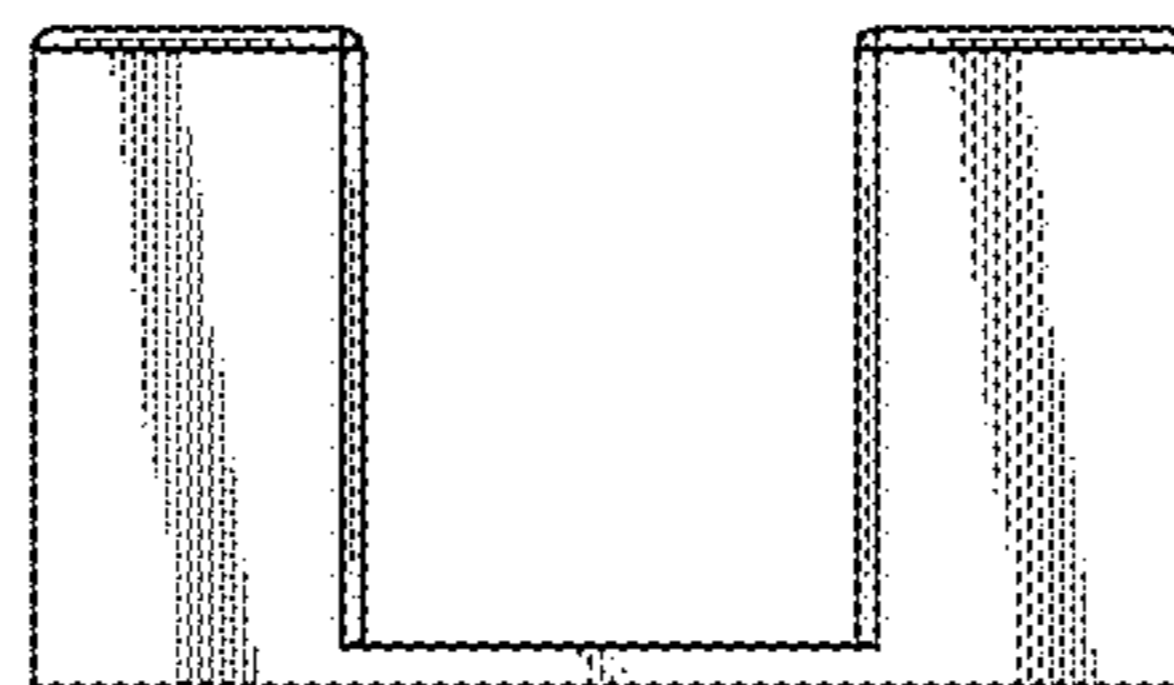


FIG. 7

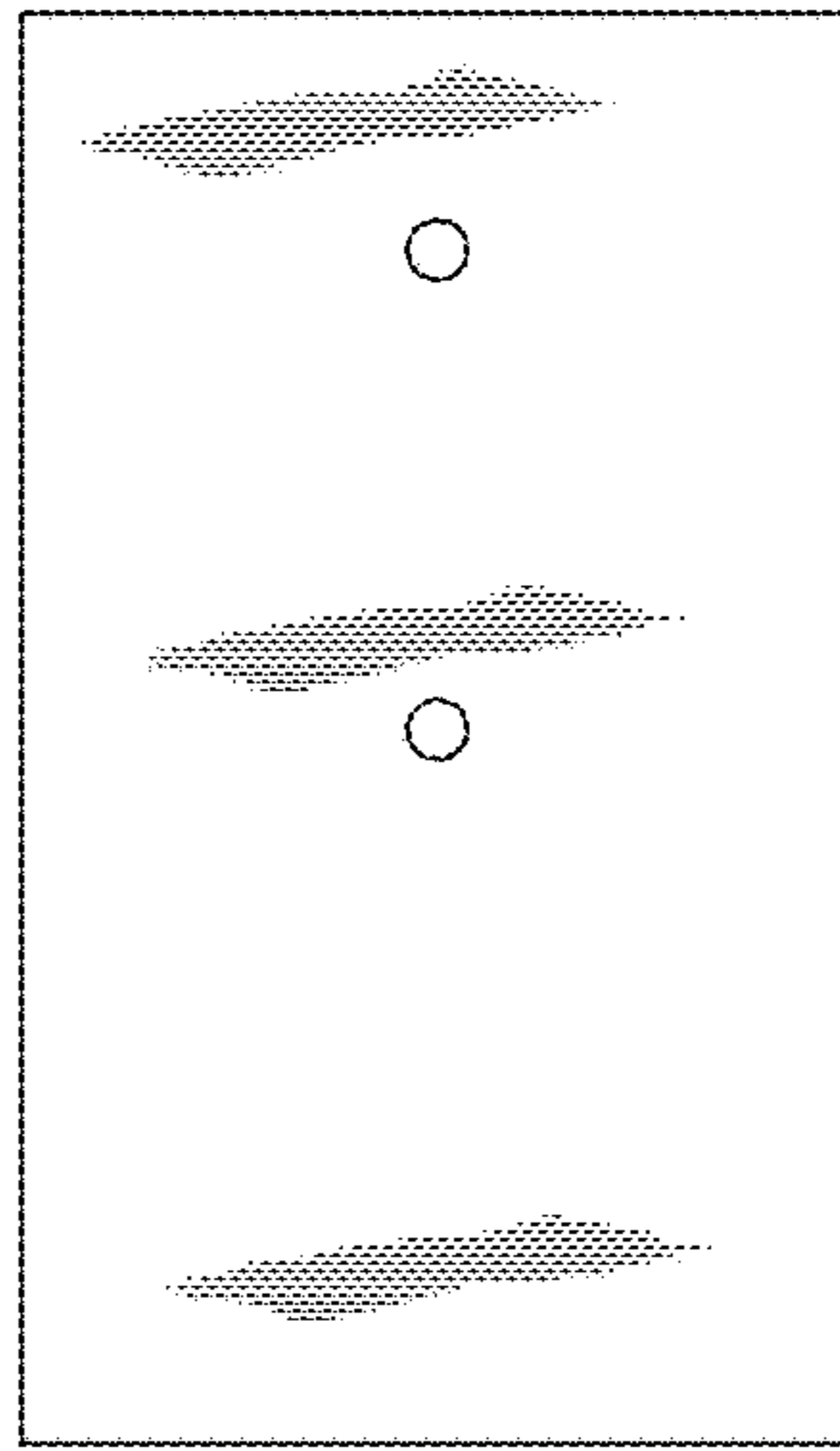


FIG. 8