



US00D866464S

(12) **United States Design Patent**
Nakayama et al.

(10) **Patent No.:** **US D866,464 S**

(45) **Date of Patent:** **** *Nov. 12, 2019**

(54) **VACUUM GENERATOR**

(71) Applicant: **SMC CORPORATION**, Chiyoda-ku (JP)

(72) Inventors: **Toru Nakayama**, Soka (JP); **Koji Sugano**, Koshigaya (JP); **Yosuke Shirai**, Toride (JP)

(73) Assignee: **SMC CORPORATION**, Chiyoda-ku (JP)

(*) Notice: This patent is subject to a terminal disclaimer.

(**) Term: **15 Years**

(21) Appl. No.: **29/638,687**

(22) Filed: **Feb. 28, 2018**

(30) **Foreign Application Priority Data**

Sep. 11, 2017 (JP) 2017-019748

(51) **LOC (12) Cl.** **13-01**

(52) **U.S. Cl.**
USPC **D13/112**

(58) **Field of Classification Search**
USPC D13/112, 113, 114, 118, 122, 133, 146, D13/147, 154, 184, 199
CPC .. F04B 49/00; F04F 5/48; F16C 29/02; F16C 33/043; F16H 25/24; F16H 57/04; C23C 14/06; C23C 16/27; C23C 28/04
See application file for complete search history.

(56) **References Cited**

U.S. PATENT DOCUMENTS

D413,129 S * 8/1999 Nagai D15/199
D550,617 S * 9/2007 Wang D13/101

D557,210 S * 12/2007 Liu D13/112
D624,099 S * 9/2010 Fukano D13/158
D624,572 S * 9/2010 Fukano D13/158
D688,627 S * 8/2013 Veeh D13/112
D762,574 S * 8/2016 Grillenberger D13/112
D770,387 S * 11/2016 Utermoehle D13/147
D816,032 S * 4/2018 Panzer D13/112
D817,276 S * 5/2018 Ozaki D13/112
D818,435 S * 5/2018 Matthews D13/112
D846,697 S * 4/2019 Yoshimura D23/233

* cited by examiner

Primary Examiner — Angela J Lee

Assistant Examiner — Shawn T Gingrich

(74) *Attorney, Agent, or Firm* — Oblon, McClelland, Maier & Neustadt, L.L.P.

(57) **CLAIM**

The ornamental design for a vacuum generator, as shown and described.

DESCRIPTION

FIG. 1 is a front, top, and left side perspective view of a vacuum generator showing our new design;
FIG. 2 is a rear, bottom, and right side perspective view thereof;
FIG. 3 is a front elevational view thereof;
FIG. 4 is a rear elevational view thereof;
FIG. 5 is a top plan view thereof;
FIG. 6 is a bottom plan view thereof;
FIG. 7 is a left side elevational view thereof; and,
FIG. 8 is a right side elevational view thereof.
The broken lines in the drawings illustrate portions of the vacuum generator that form no part of the claimed design.

1 Claim, 3 Drawing Sheets

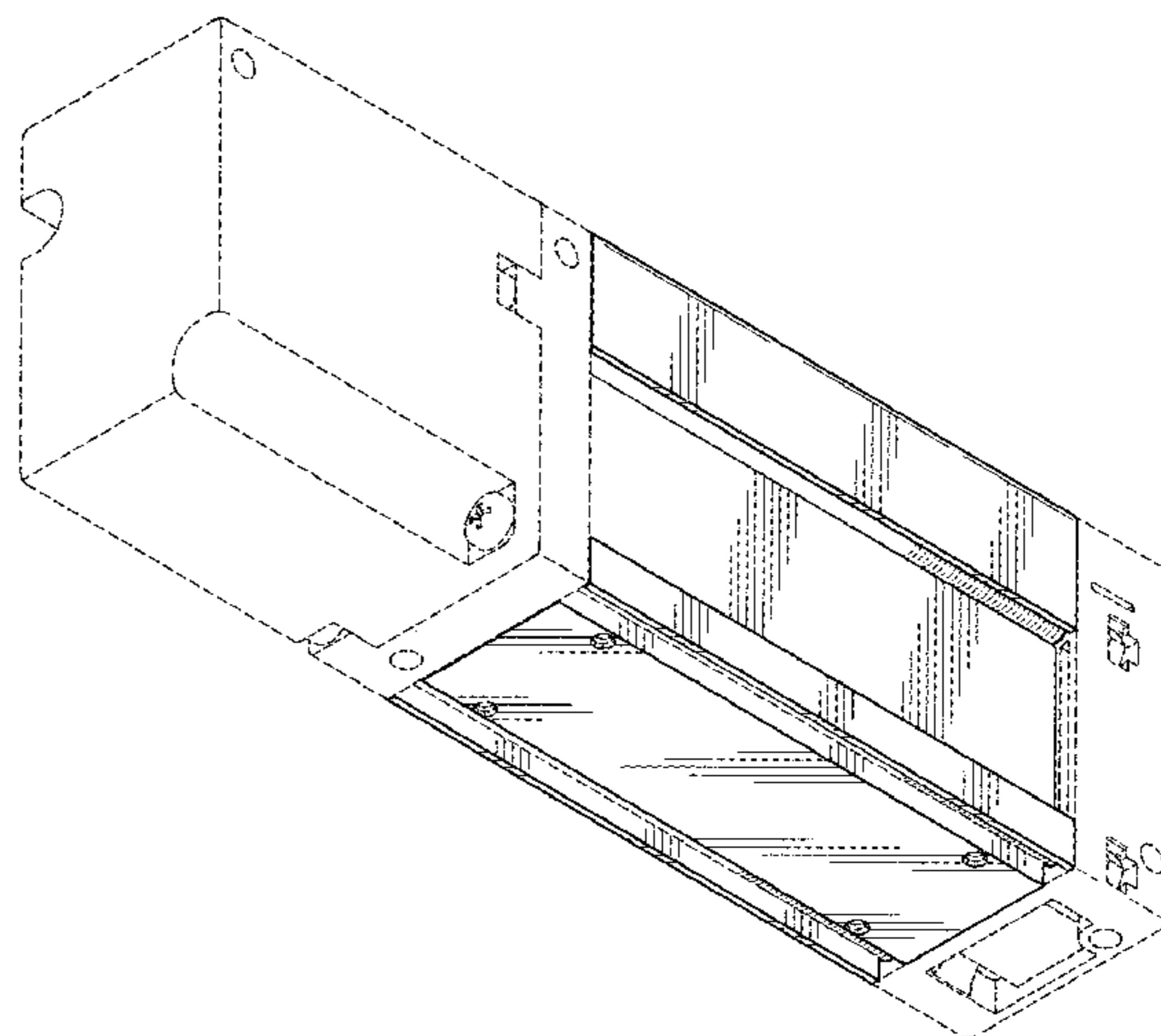
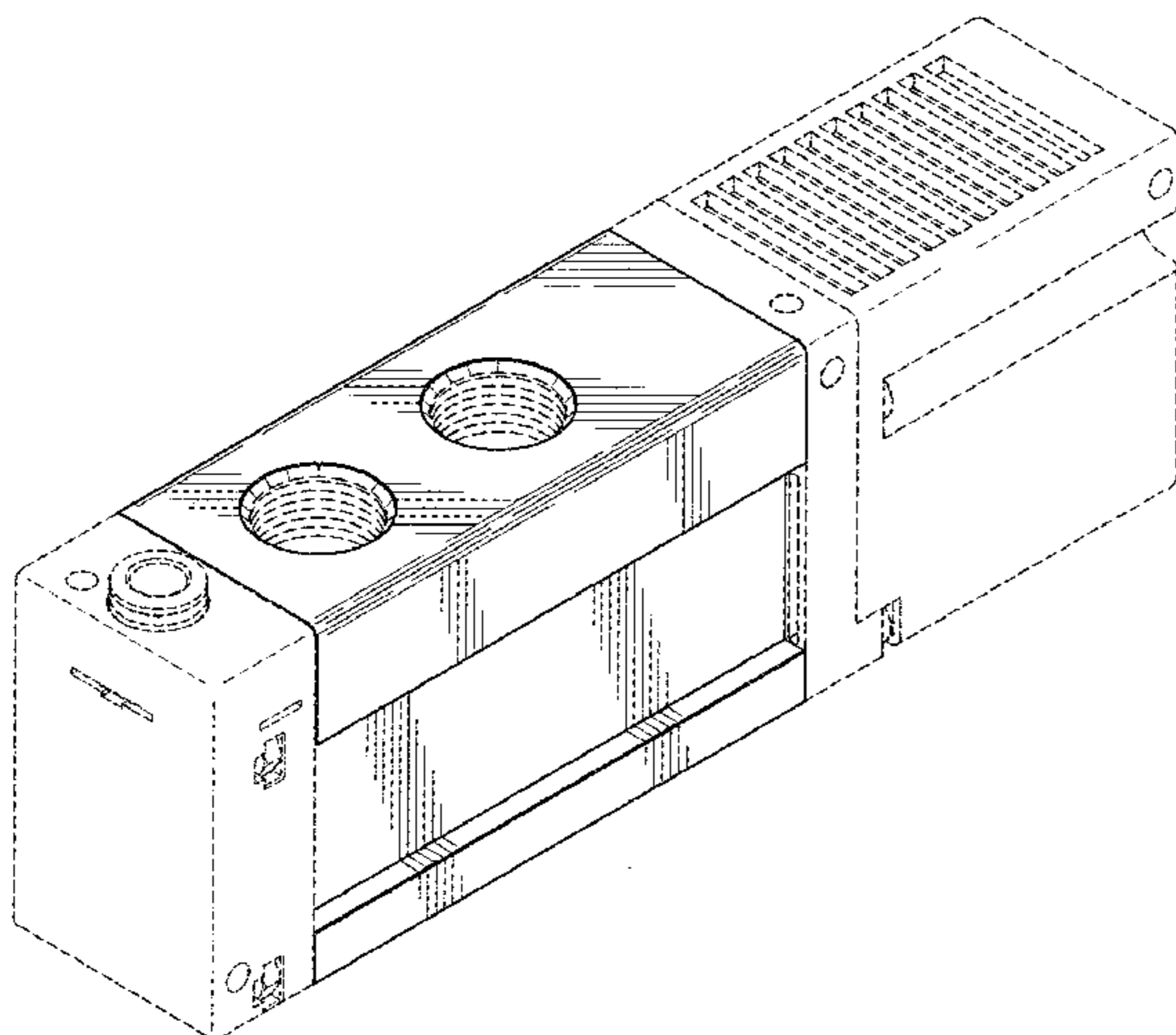


FIG. 1

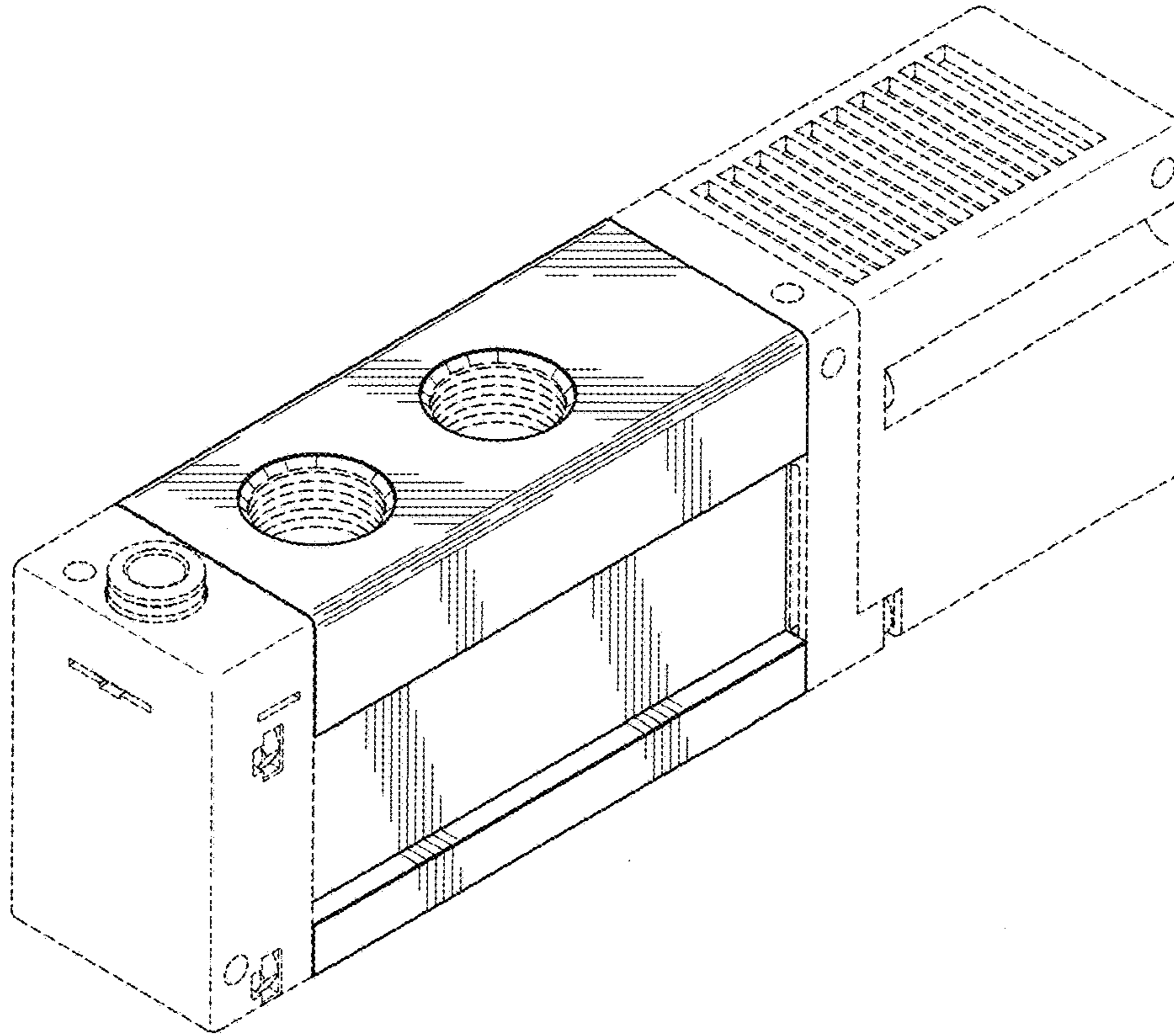


FIG. 2

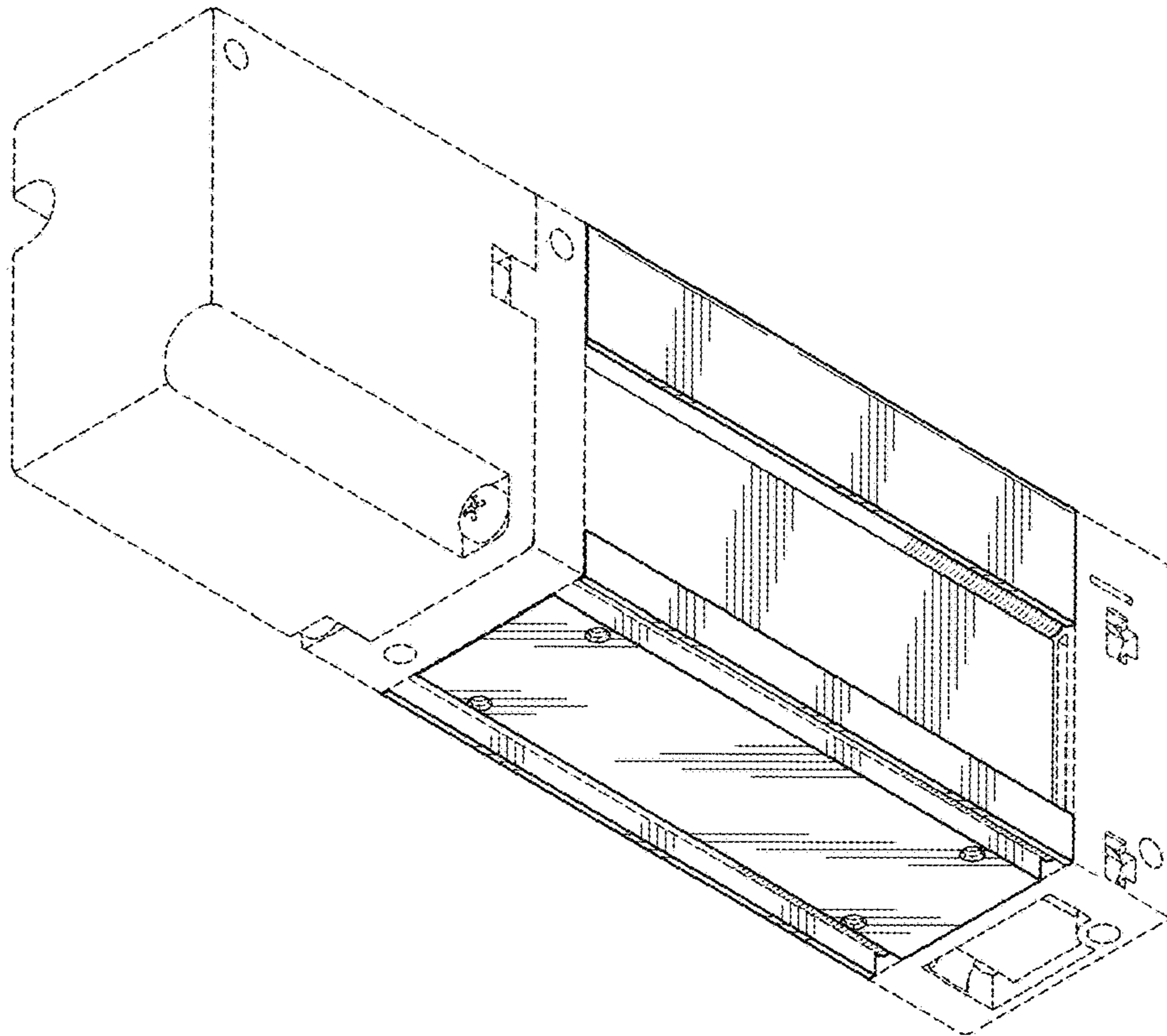


FIG. 3

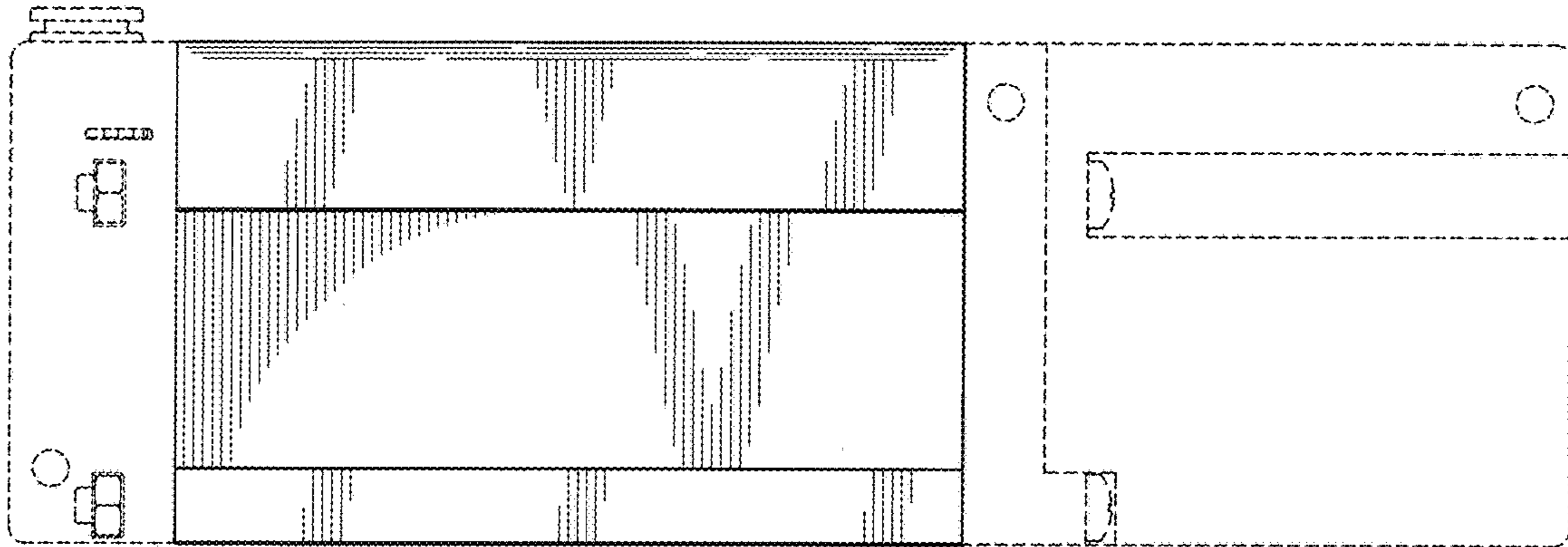


FIG. 4

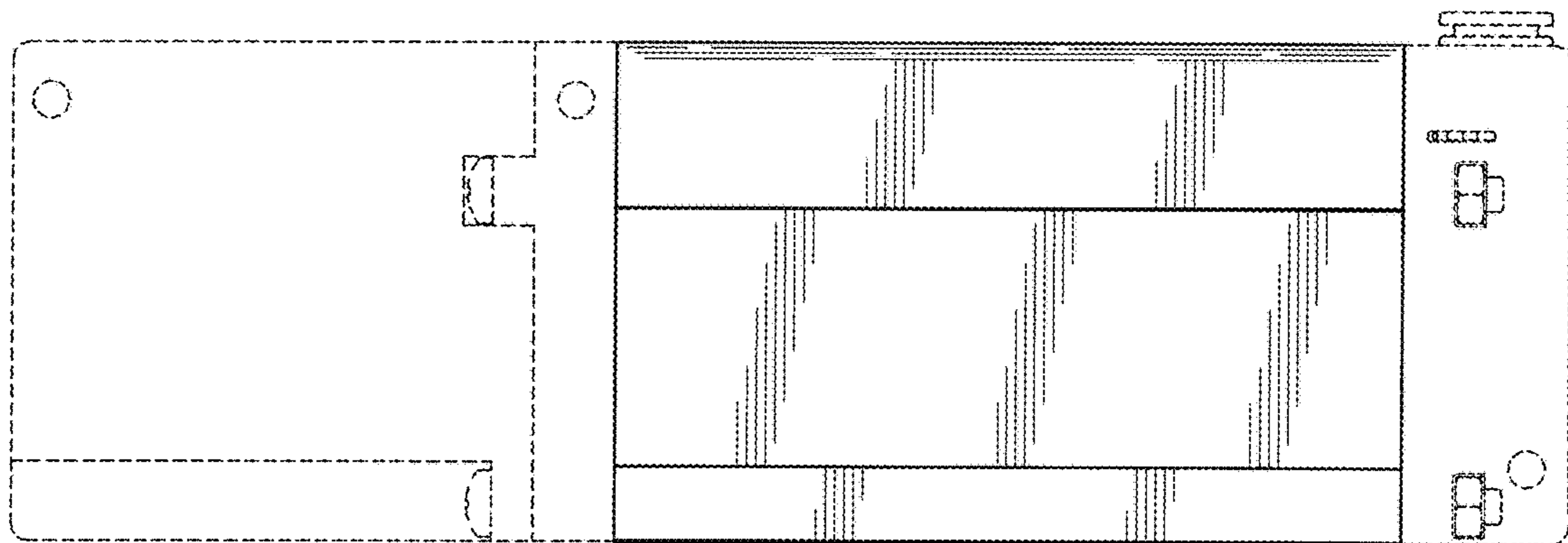


FIG. 5

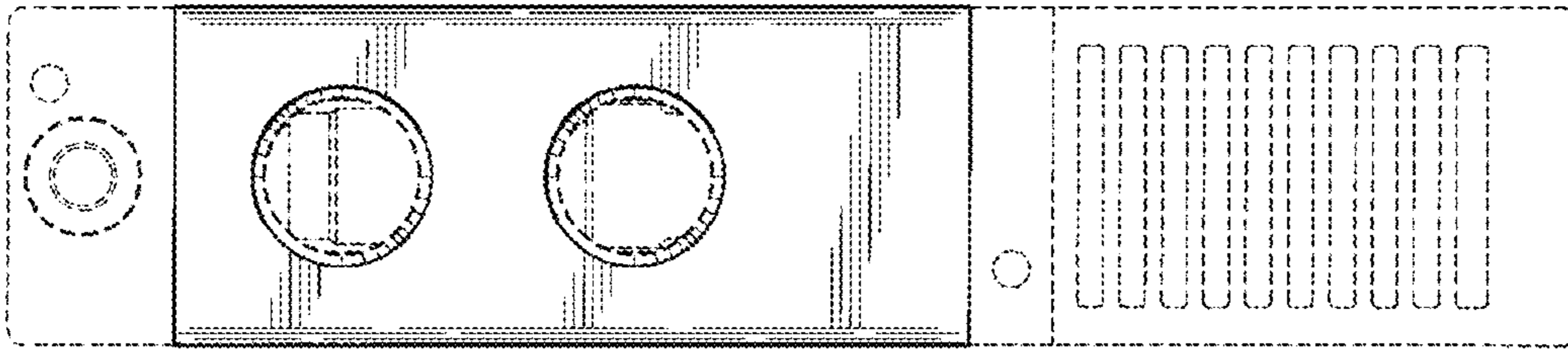


FIG. 6

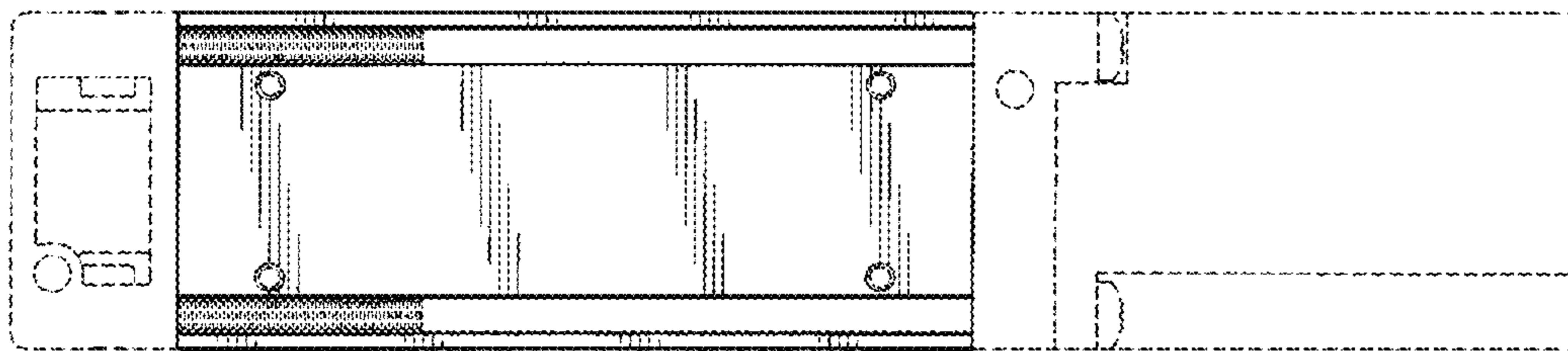


FIG. 7

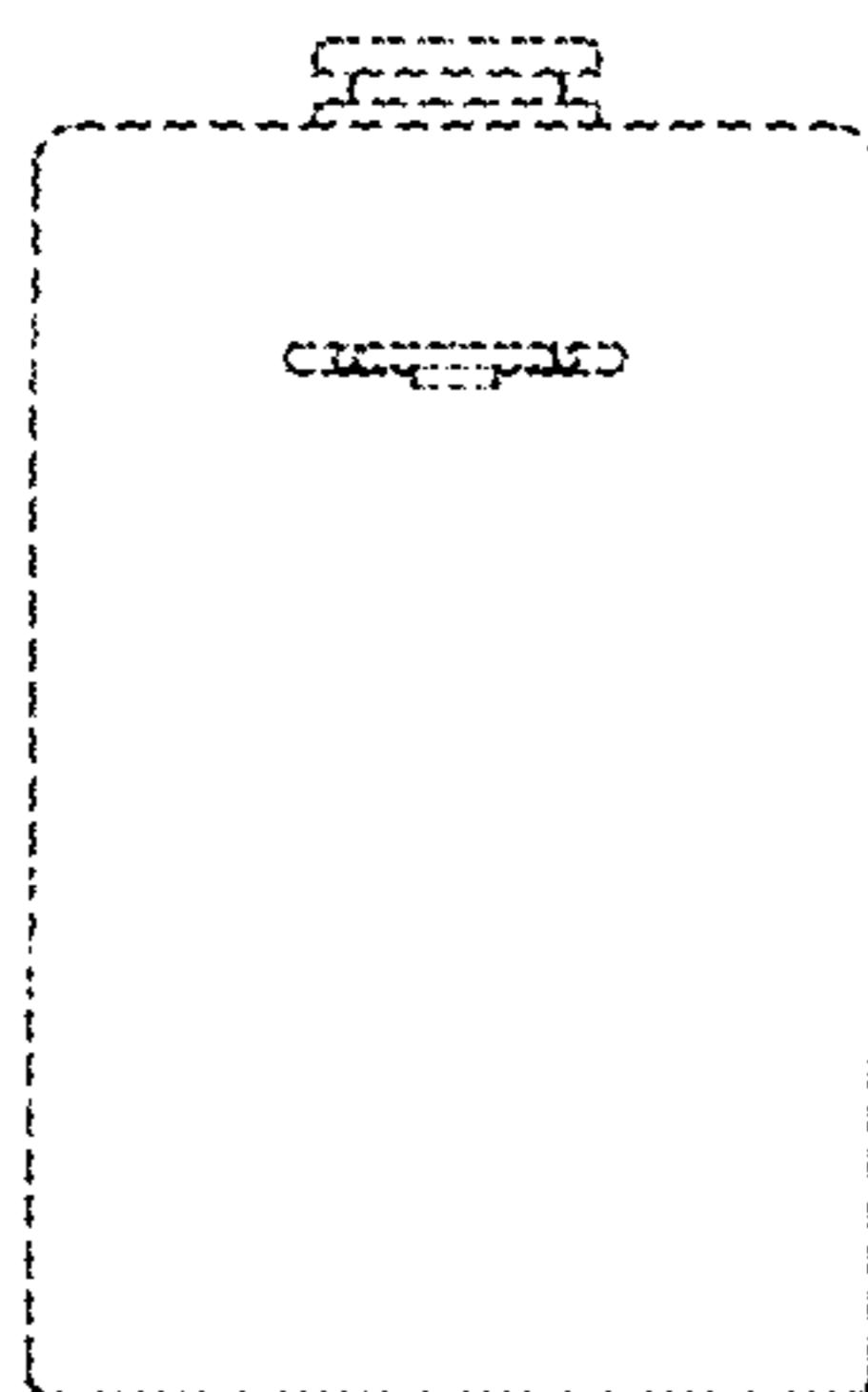


FIG. 8

