



US00D866462S

(12) **United States Design Patent** (10) **Patent No.:** **US D866,462 S**
Kung et al. (45) **Date of Patent:** **** Nov. 12, 2019**

(54) **POWER BANK**

(71) Applicant: **I/O INTERCONNECT, LTD.**, Santa Ana, CA (US)

(72) Inventors: **Gary Kung**, Santa Ana, CA (US); **Kuei-Jung Yang**, Taipei (TW)

(73) Assignee: **I/O INTERCONNECT, LTD.**, Santa Ana, CA (US)

(**) Term: **15 Years**

(21) Appl. No.: **29/640,052**

(22) Filed: **Mar. 12, 2018**

(51) **LOC (12) Cl.** **13-10**

(52) **U.S. Cl.**
USPC **D13/110**

(58) **Field of Classification Search**
USPC D13/103, 104, 107, 110, 119, 120, 133, D13/156
CPC H01R 13/641; H01M 2/1022; H01M 2/1027; H01M 2/1072; H01M 2/105; H01M 2/1077; H02B 1/20
See application file for complete search history.

(56) **References Cited**

U.S. PATENT DOCUMENTS

D657,739 S *	4/2012	Miyawaki	D13/104
D705,719 S *	5/2014	Wong	D13/103
D711,821 S *	8/2014	Wang	D13/103
D759,587 S *	6/2016	Santos	D13/103
D762,565 S *	8/2016	Akana	D13/103
D775,073 S *	12/2016	Oshiba	D13/119
D812,000 S *	3/2018	Li	D13/108
D820,198 S *	6/2018	Smith	D13/103
D842,237 S *	3/2019	Qiu	D13/103
D844,560 S *	4/2019	Miller	D13/108
D852,742 S *	7/2019	Li	D13/110

2008/0050645 A1*	2/2008	Kai	H01M 2/1077 429/61
2009/0123821 A1*	5/2009	Kim	H01M 2/0404 429/124
2011/0070465 A1*	3/2011	Kim, II	H01M 10/42 429/7

(Continued)

Primary Examiner — Susan Bennett Hattan

Assistant Examiner — Suzanne E Tisdell

(74) *Attorney, Agent, or Firm* — Locke Lord LLP; Tim Tingkang Xia, Esq.

(57) **CLAIM**

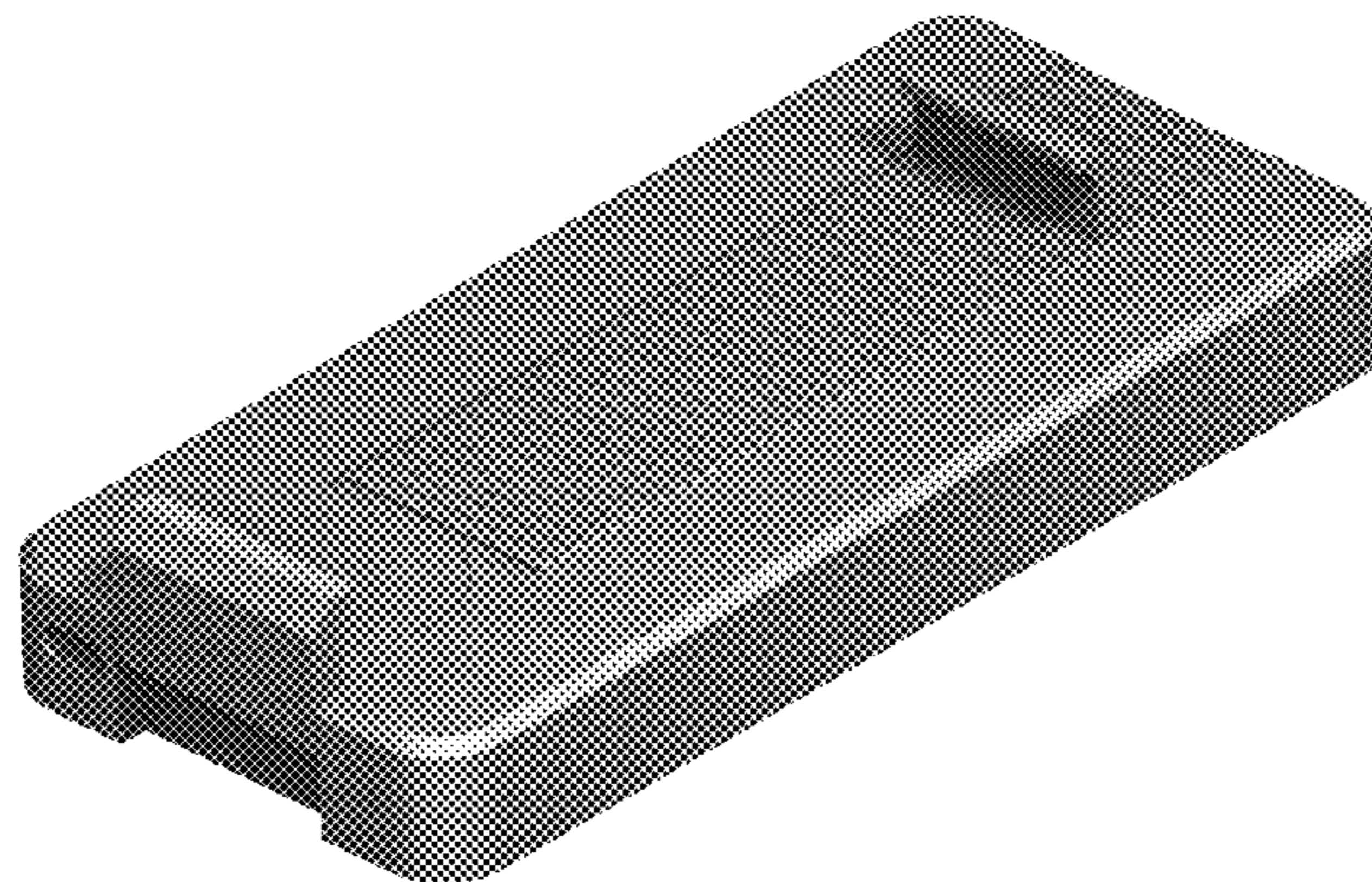
The ornamental design for a “power bank,” as shown and described.

DESCRIPTION

FIG. 1 is a perspective view of a power bank showing our new design;
 FIG. 2 is a front elevational view thereof;
 FIG. 3 is a rear elevational view thereof;
 FIG. 4 is a left side elevational view thereof;
 FIG. 5 is a right side elevational view thereof;
 FIG. 6 is a top plan view thereof;
 FIG. 7 is a bottom plan view thereof;
 FIG. 8 is a first reference view that shows the power bank in use with a mobile phone attached;
 FIG. 9 is a second reference view that shows the power bank in use with another mobile phone attached;
 FIG. 10 is a third reference view that shows the power bank in use with a watch attached;
 FIG. 11 is a front perspective view that shows the power bank in a stored condition; and,
 FIG. 12 is a rear perspective view that shows the power bank in the stored condition.

The claimed design is indicated by the relatively dark portions in the drawings, while the relatively light portions enclosed by broken lines are environmental and form no part of the claimed design.
 Shading is used to illustrate the curvature of the part and not color.

1 Claim, 12 Drawing Sheets



(56)

References Cited

U.S. PATENT DOCUMENTS

2015/0207181 A1* 7/2015 Fink H01M 2/043
429/7
2017/0264059 A1* 9/2017 Cote H01R 25/006
2019/0131678 A1* 5/2019 Kim H01M 2/10
2019/0189982 A1* 6/2019 Lee H01M 2/1061
2019/0198952 A1* 6/2019 Choi H01M 10/6554

* cited by examiner

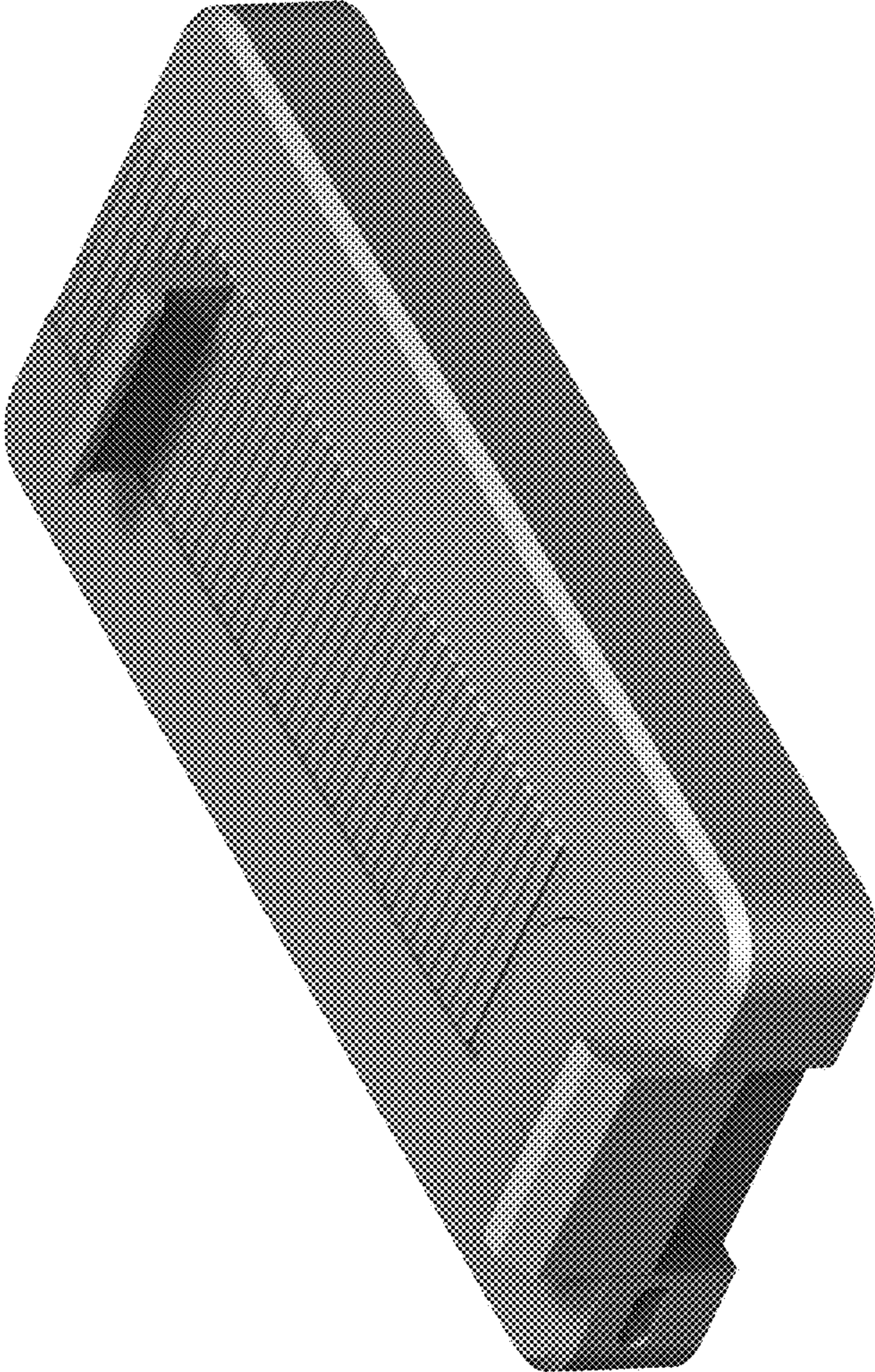


Fig. 1

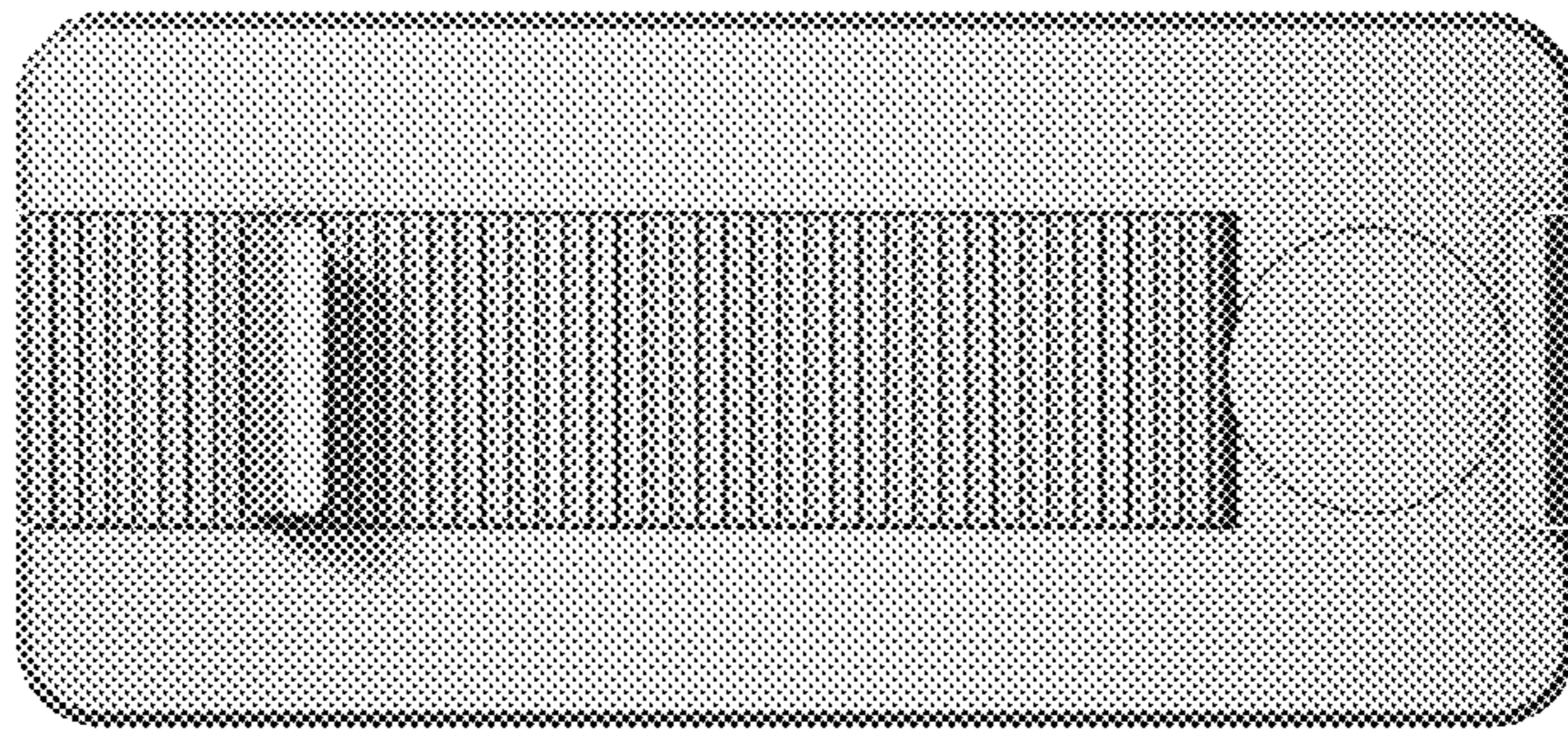


Fig. 2

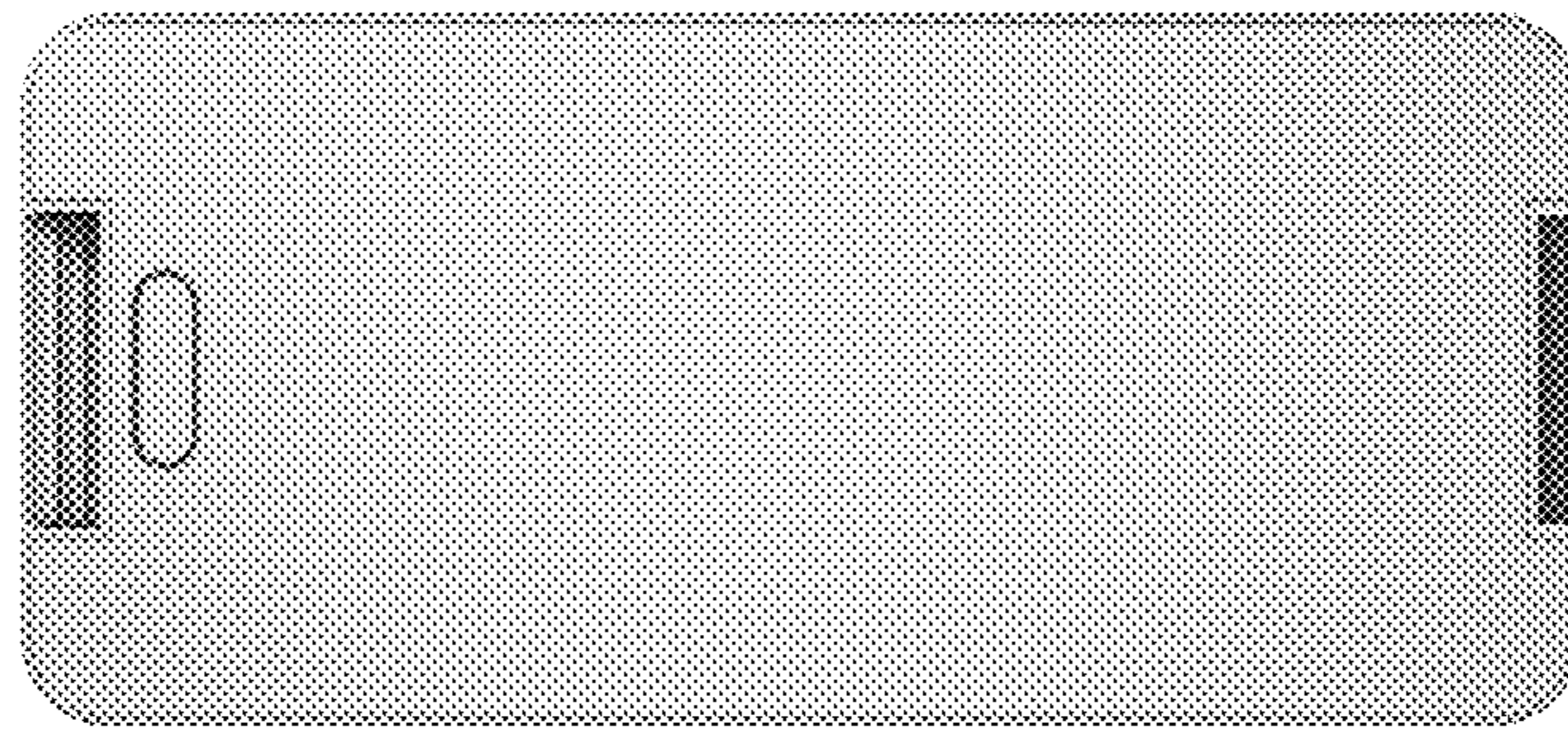


Fig. 3



Fig. 4



Fig. 5

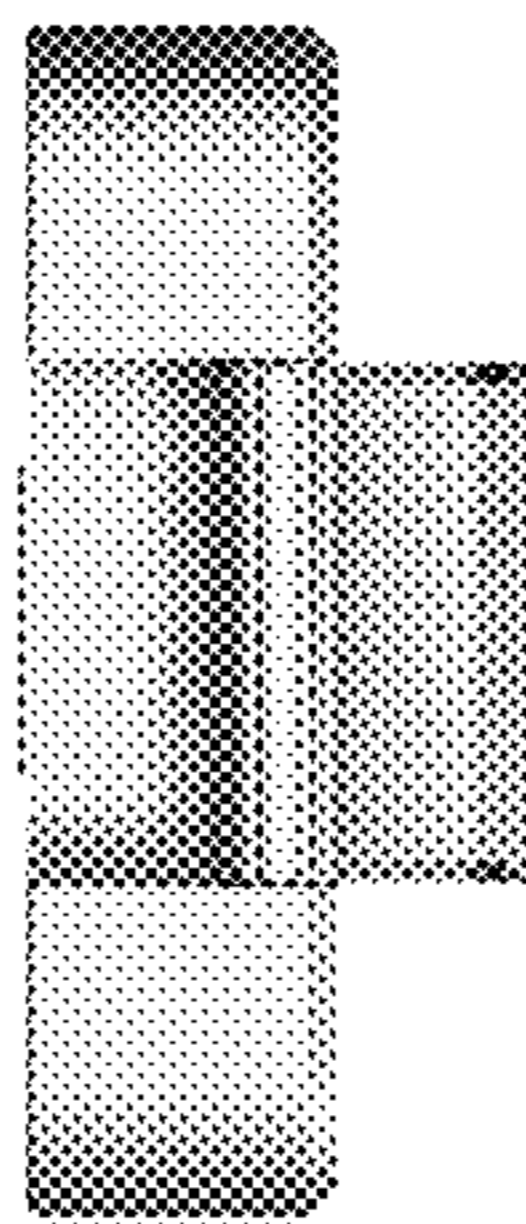


Fig. 6

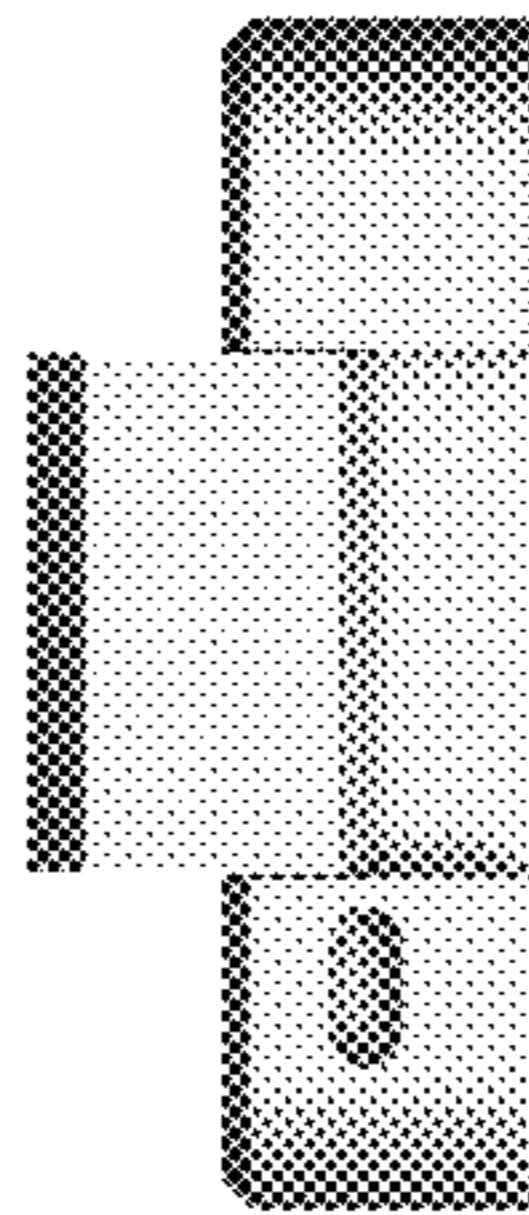


Fig. 7

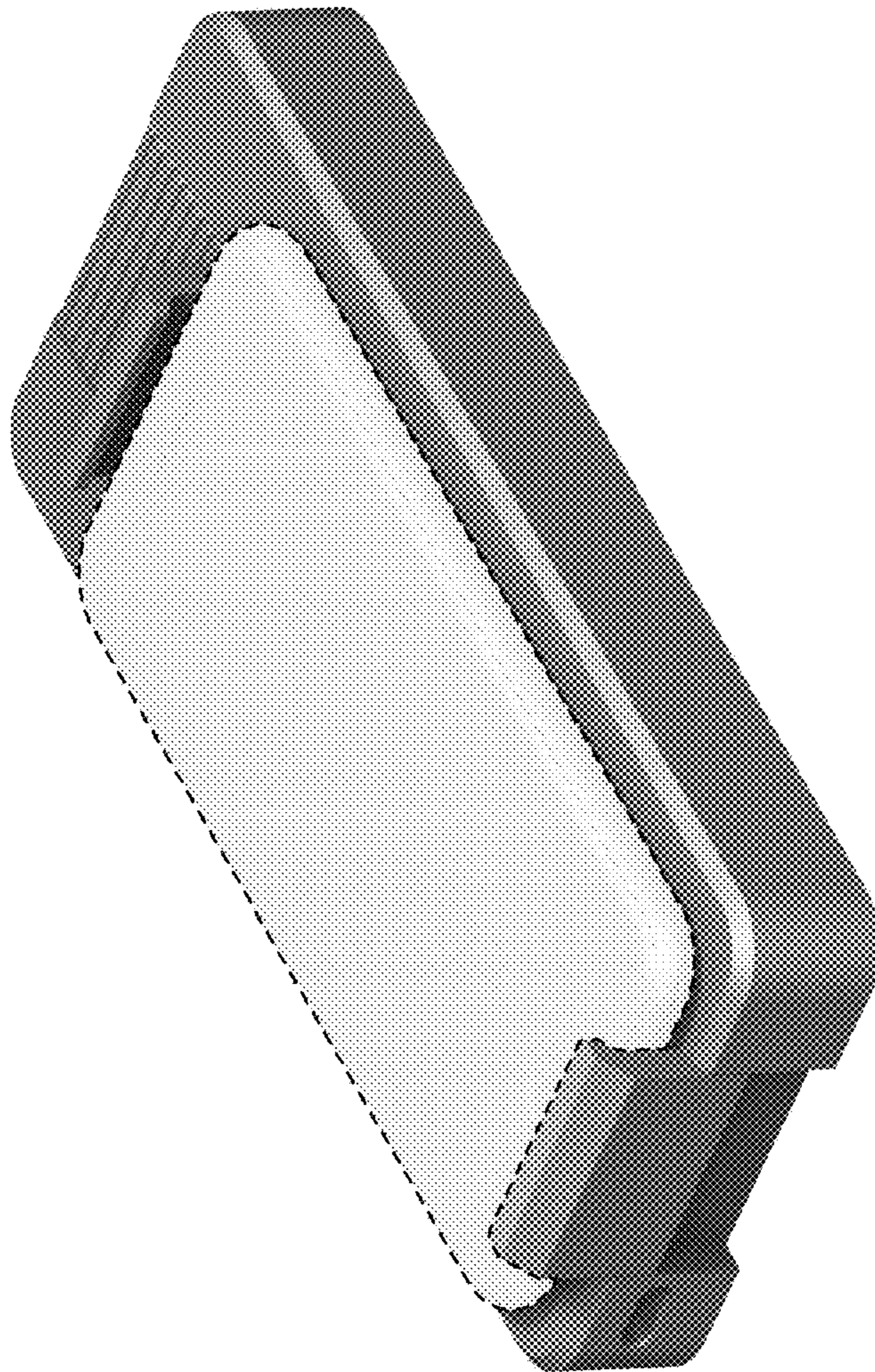


Fig. 8

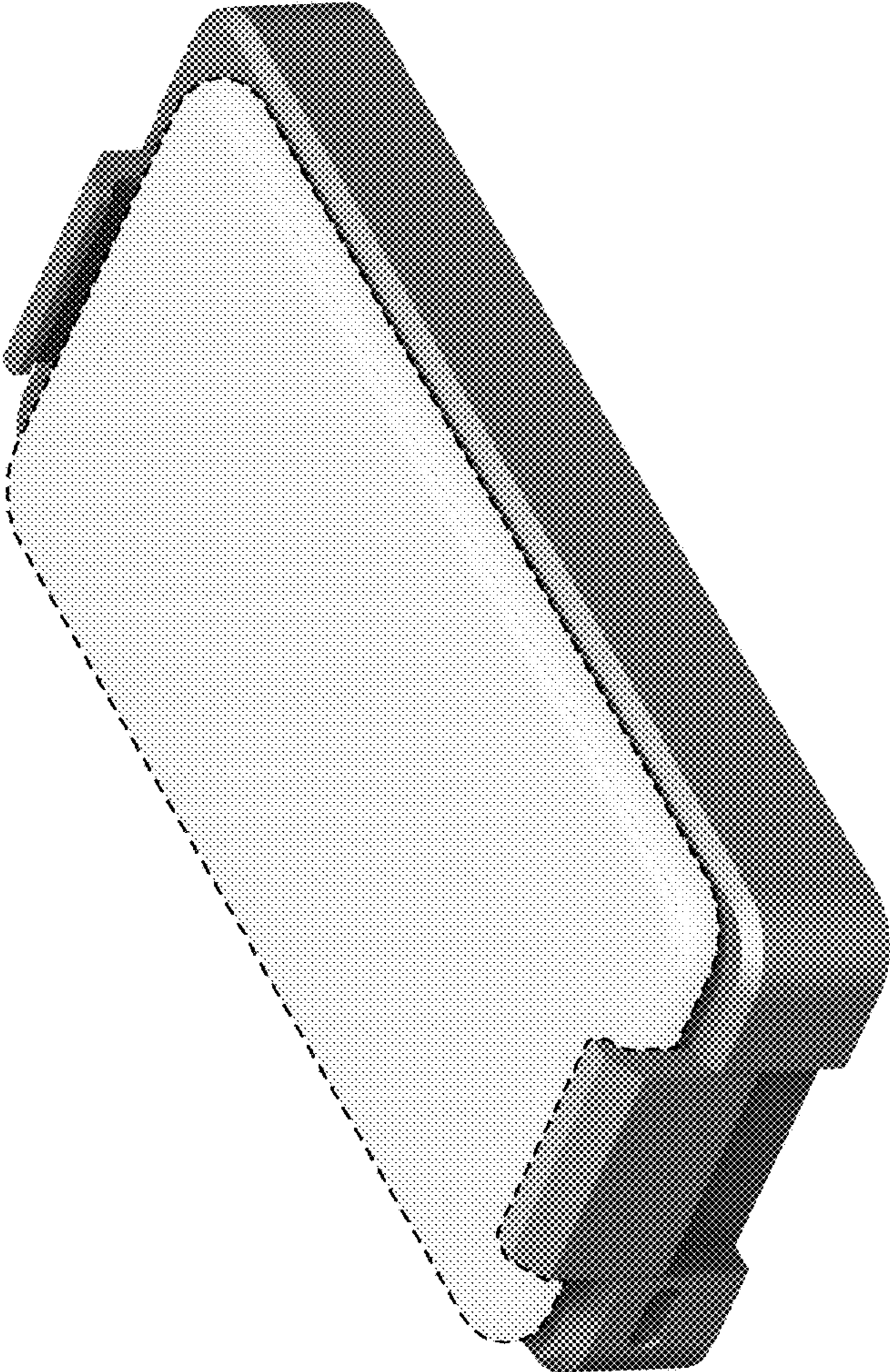


Fig. 9

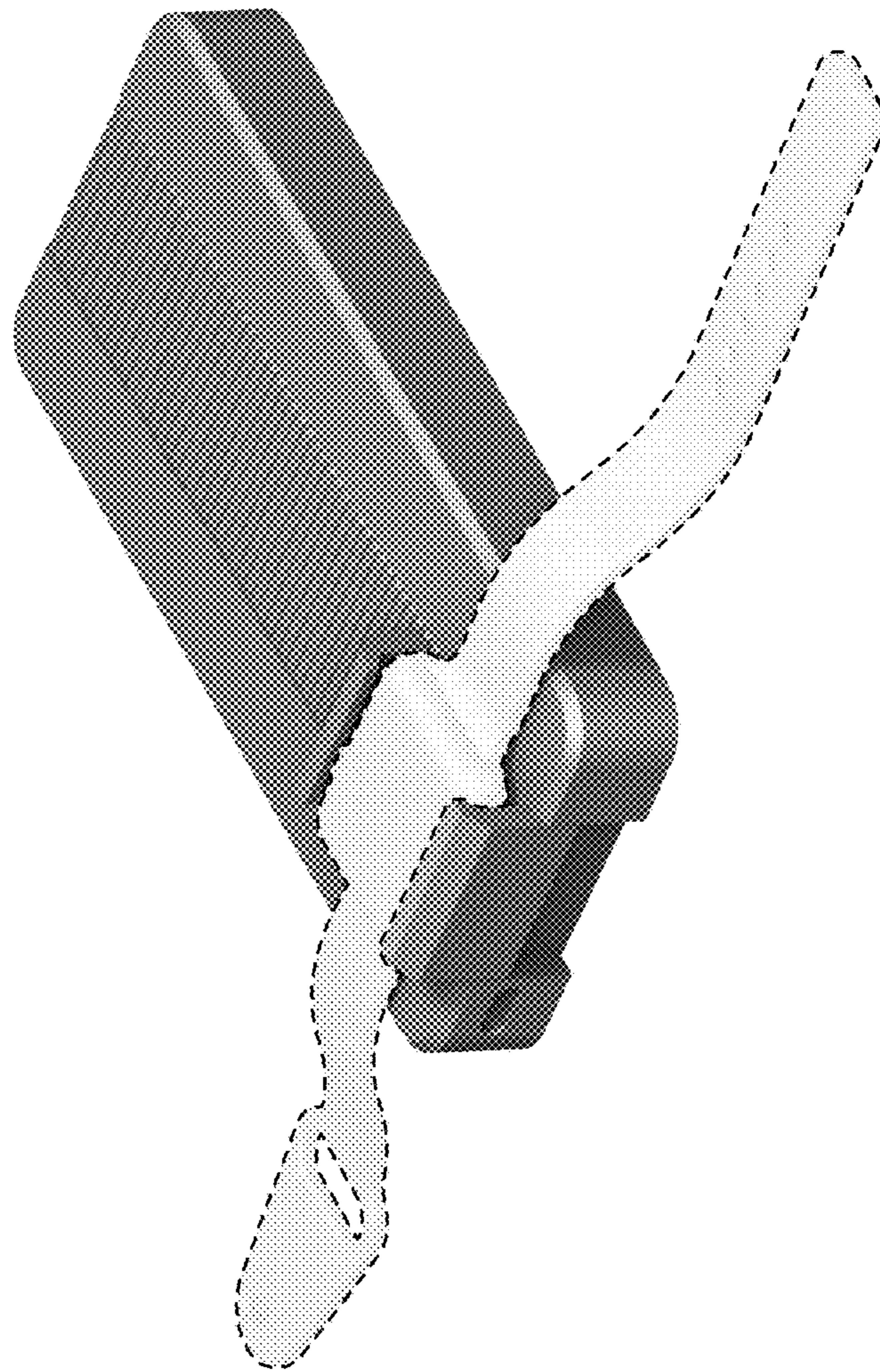


Fig. 10

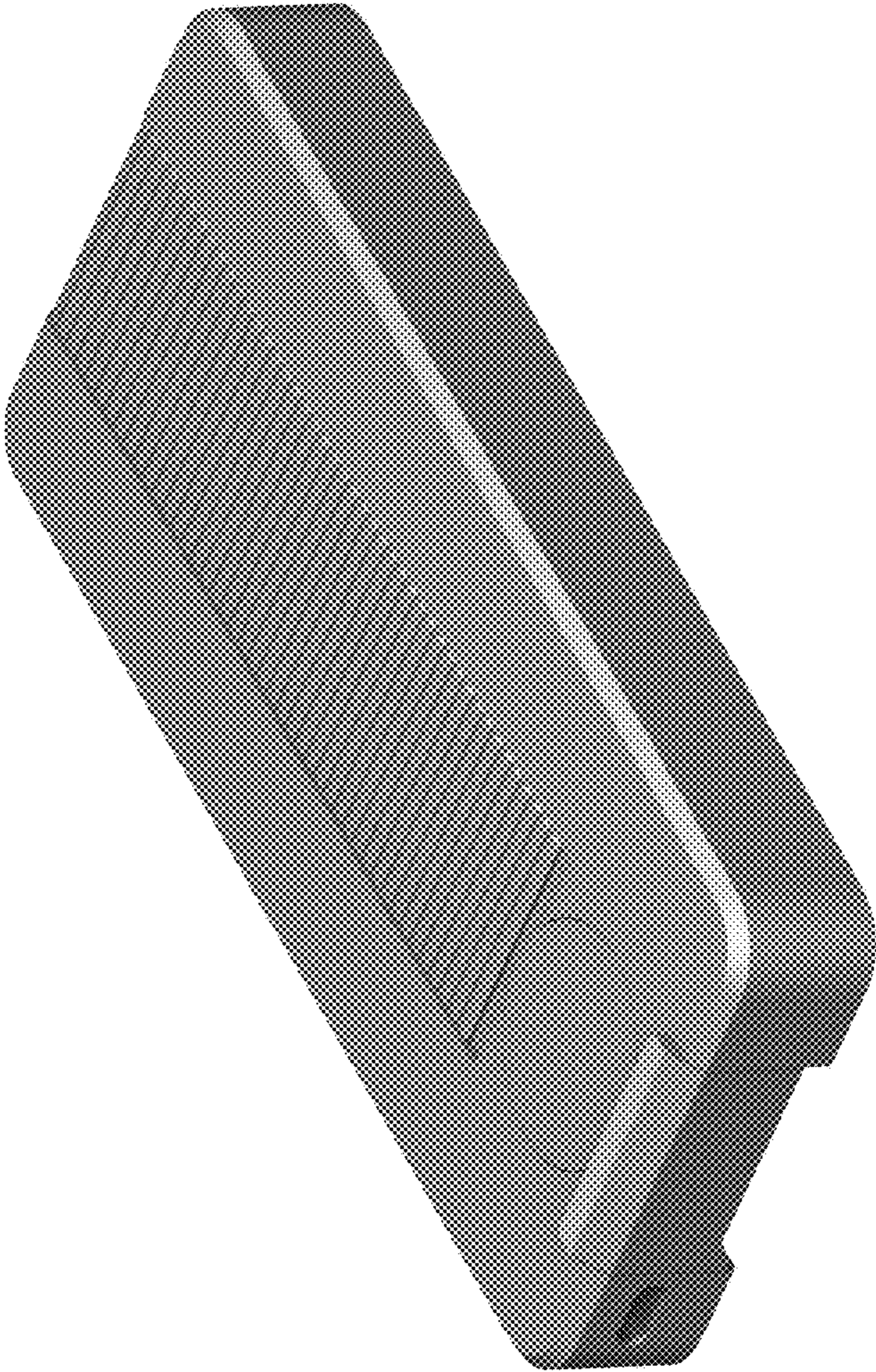


Fig. 11

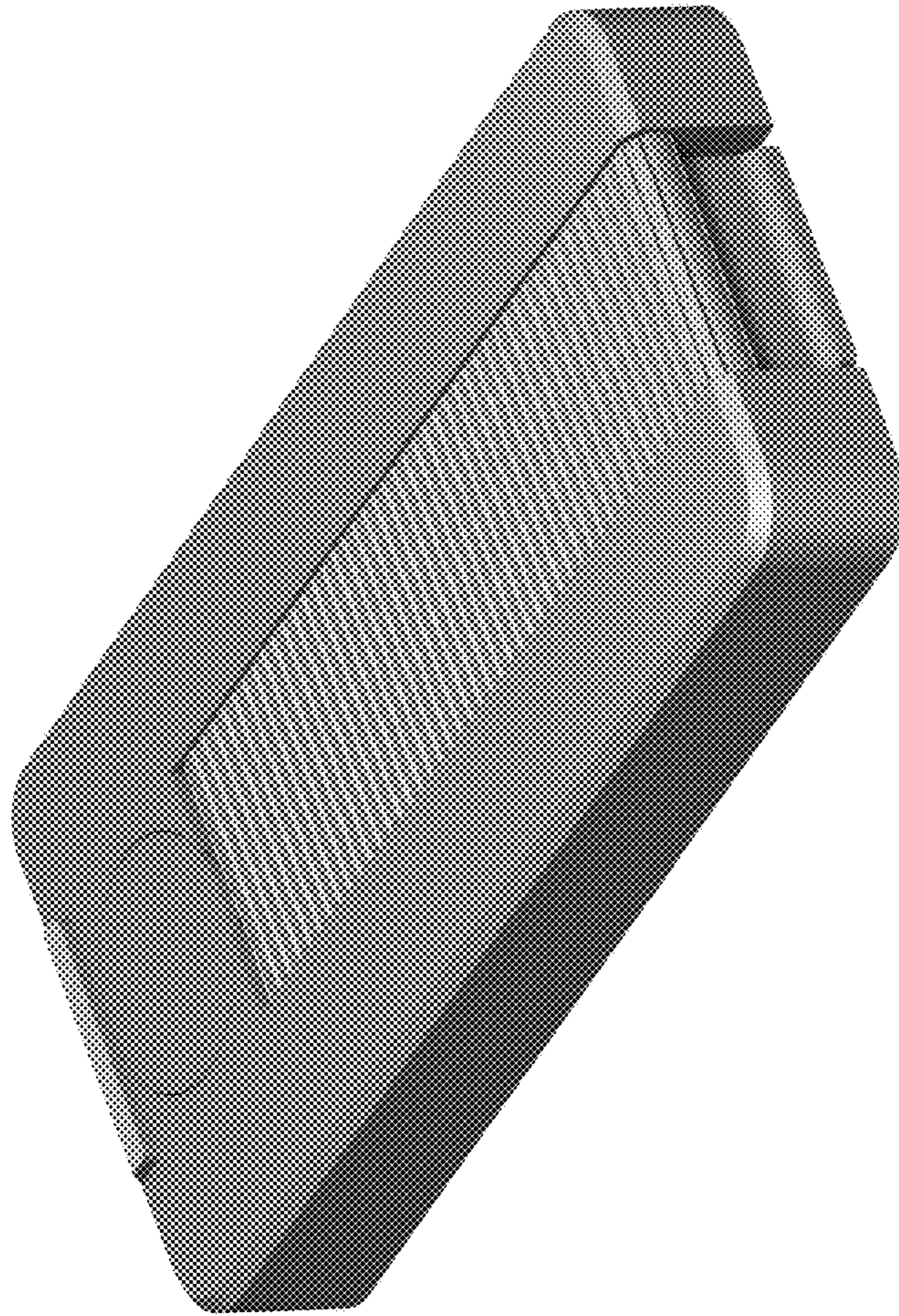


Fig. 12