



US00D866461S

(12) **United States Design Patent** (10) **Patent No.:** **US D866,461 S**  
**Arimoto et al.** (45) **Date of Patent:** **\*\* Nov. 12, 2019**

(54) **BATTERY CHARGER FOR EARPHONE**

FOREIGN PATENT DOCUMENTS

(71) Applicant: **JVC KENWOOD Corporation**,  
Yokohama-shi, Kanagawa (JP)

CN 304469765 \* 1/2018

*Primary Examiner* — Brett Miller

(72) Inventors: **Takuya Arimoto**, Yokohama (JP);  
**Satoshi Yoshimura**, Yokohama (JP)

(74) *Attorney, Agent, or Firm* — Amin, Turocy & Watson  
LLP

(73) Assignee: **JVC KENWOOD Corporation**,  
Yokohama-shi (JP)

(57) **CLAIM**

The ornamental design for a battery charger for earphone, as  
shown and described.

(\*\*) Term: **15 Years**

**DESCRIPTION**

(21) Appl. No.: **29/659,305**

(22) Filed: **Aug. 8, 2018**

(30) **Foreign Application Priority Data**

Feb. 20, 2018 (JP) ..... 2018-003420

(51) **LOC (12) Cl.** ..... **13-02**

(52) **U.S. Cl.**  
USPC ..... **D13/108; D3/201**

(58) **Field of Classification Search**  
USPC ..... D13/107–108, 103, 105, 110, 119;  
D14/447, 253, 434, 224, 217, 238.1, 251,  
D14/240, 149, 358, 223; D3/294, 218,  
D3/201, 298, 299; D9/721  
CPC .. H02J 7/004; H02J 7/044; H02J 7/045; H02J  
2007/0062; H02J 7/0054; H02J 7/0055;  
H04R 1/1025

See application file for complete search history.

(56) **References Cited**

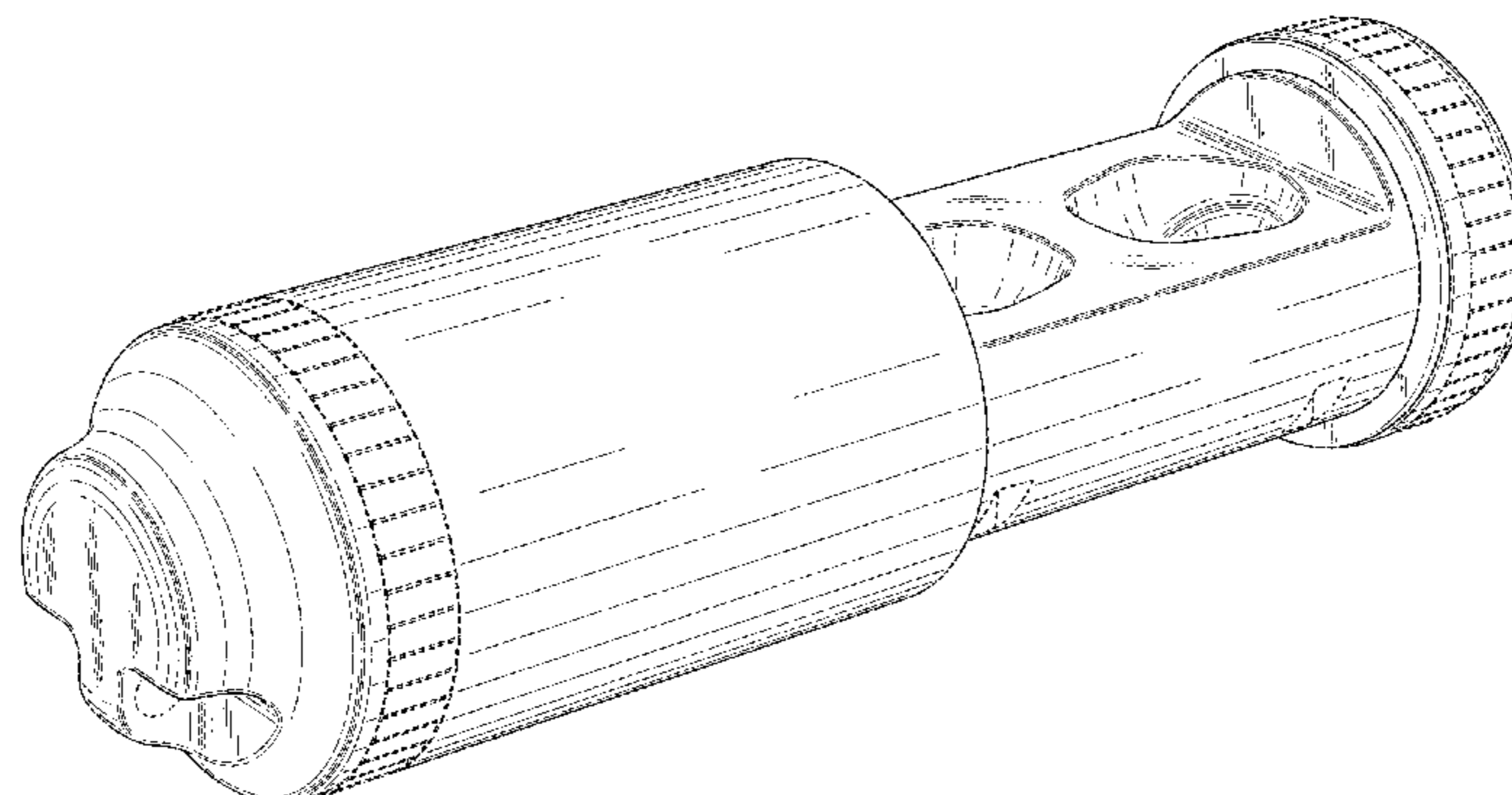
U.S. PATENT DOCUMENTS

D604,945 S \* 12/2009 Tkachuk ..... D3/218  
D633,034 S \* 2/2011 Heine ..... D13/103  
D685,771 S \* 7/2013 Bertenthal ..... D14/223  
D772,840 S \* 11/2016 Forslund ..... D14/223  
D816,322 S \* 5/2018 Choe ..... D3/201

(Continued)

FIG. 1 is a front, top and left-side perspective view of a  
battery charger for earphone showing our new design;  
FIG. 2 is a rear, top and right-side perspective view thereof;  
FIG. 3 is a front elevational view thereof;  
FIG. 4 is a rear elevational view thereof;  
FIG. 5 is a top plan view thereof;  
FIG. 6 is a bottom plan view thereof;  
FIG. 7 is a right-side elevational view thereof  
FIG. 8 is a left-side elevational view thereof.  
FIG. 9 is another front, top and left-side perspective view  
showing the drawer part opened;  
FIG. 10 is another rear, top and right-side perspective view  
showing the drawer part opened;  
FIG. 11 is another front elevational view showing the drawer  
part opened;  
FIG. 12 is another rear elevational view showing the drawer  
part opened;  
FIG. 13 is another top plan view showing the drawer part  
opened;  
FIG. 14 is another bottom plan view showing the drawer part  
opened; and,  
FIG. 15 is another rear, top and right-side perspective view  
showing the drawer part opened thereof in a state of use.  
The broken lines of the drawings represent portions of the  
battery charger for earphone that are not part of the claimed  
design.

**1 Claim, 12 Drawing Sheets**



(56)

**References Cited**

U.S. PATENT DOCUMENTS

D821,970 S \* 7/2018 Loermann ..... D13/107  
D822,374 S \* 7/2018 Hung ..... D3/201  
2016/0073188 A1\* 3/2016 Linden ..... H04R 1/1025  
381/309  
2016/0073189 A1\* 3/2016 Linden ..... H04R 1/1025  
381/74  
2018/0014436 A1\* 1/2018 Milevski ..... H04R 1/1025

\* cited by examiner

FIG. 1

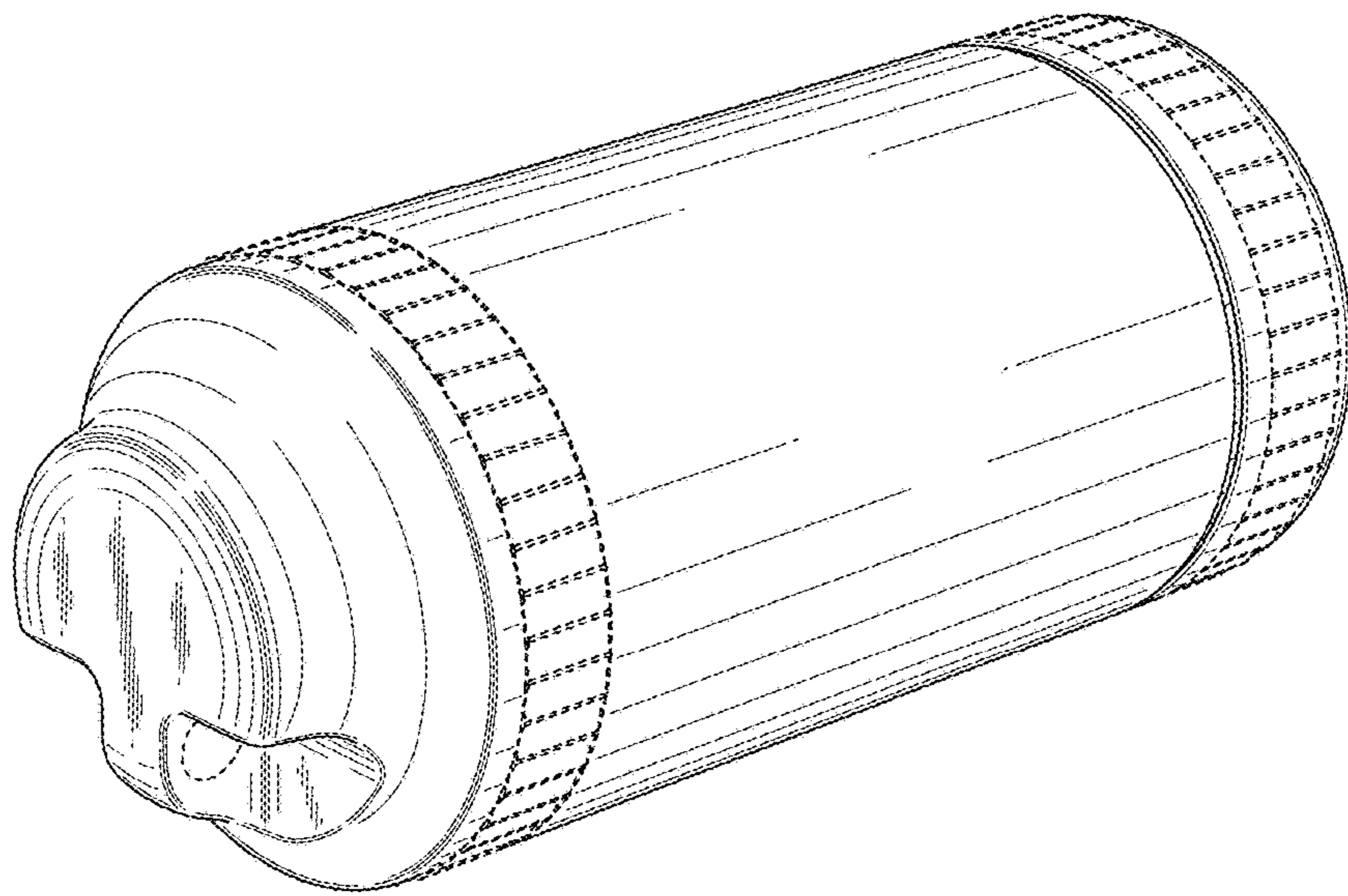


FIG. 2

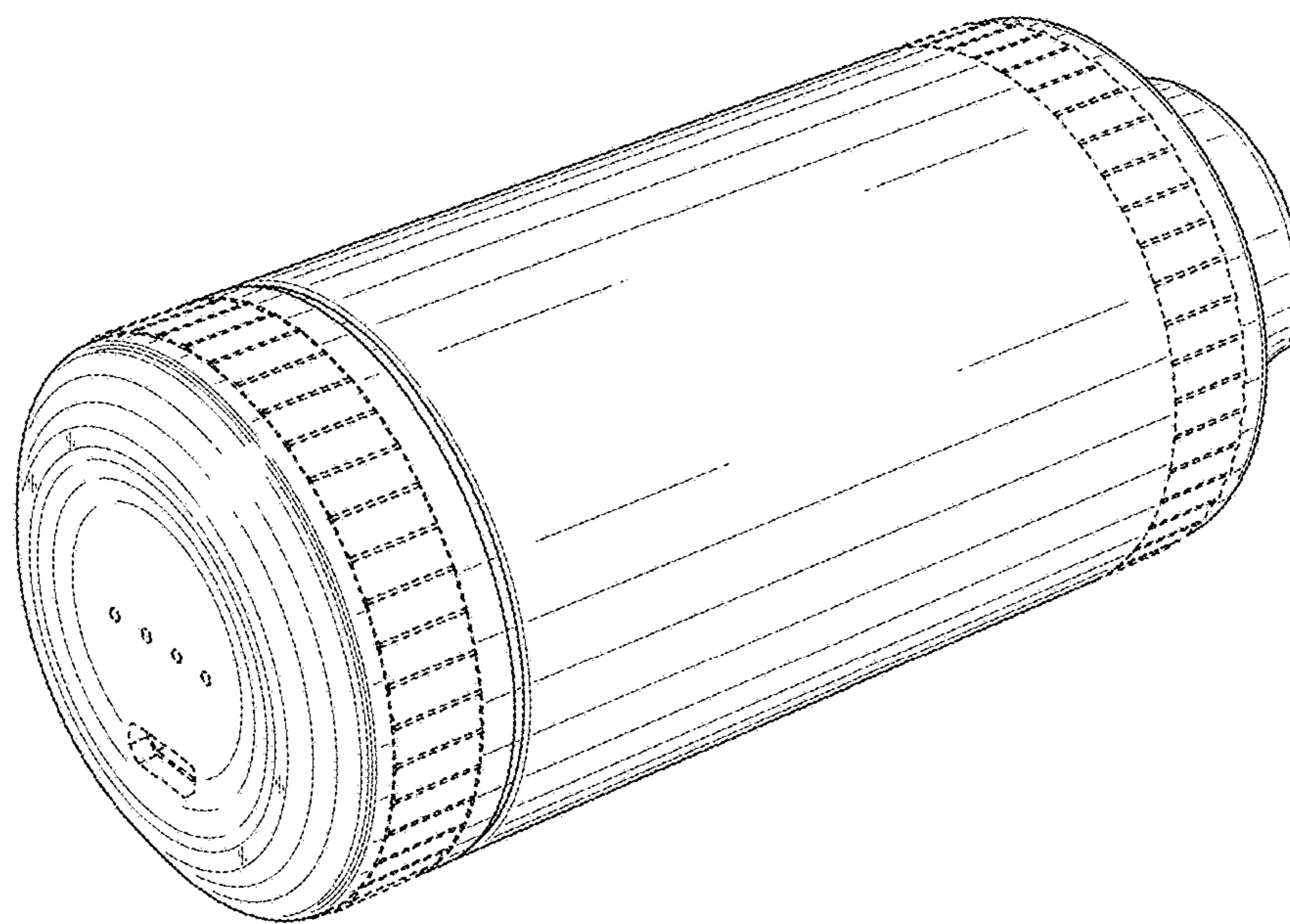


FIG. 3

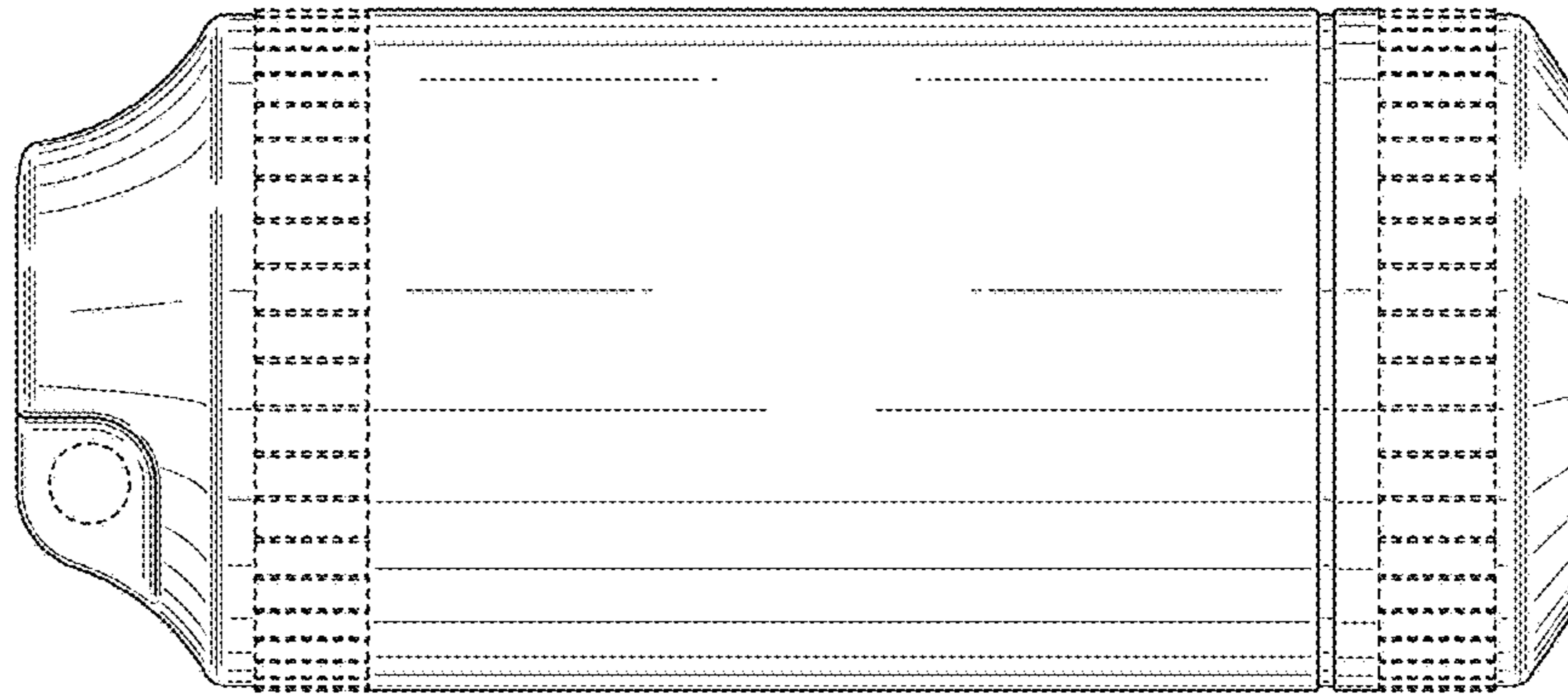


FIG. 4

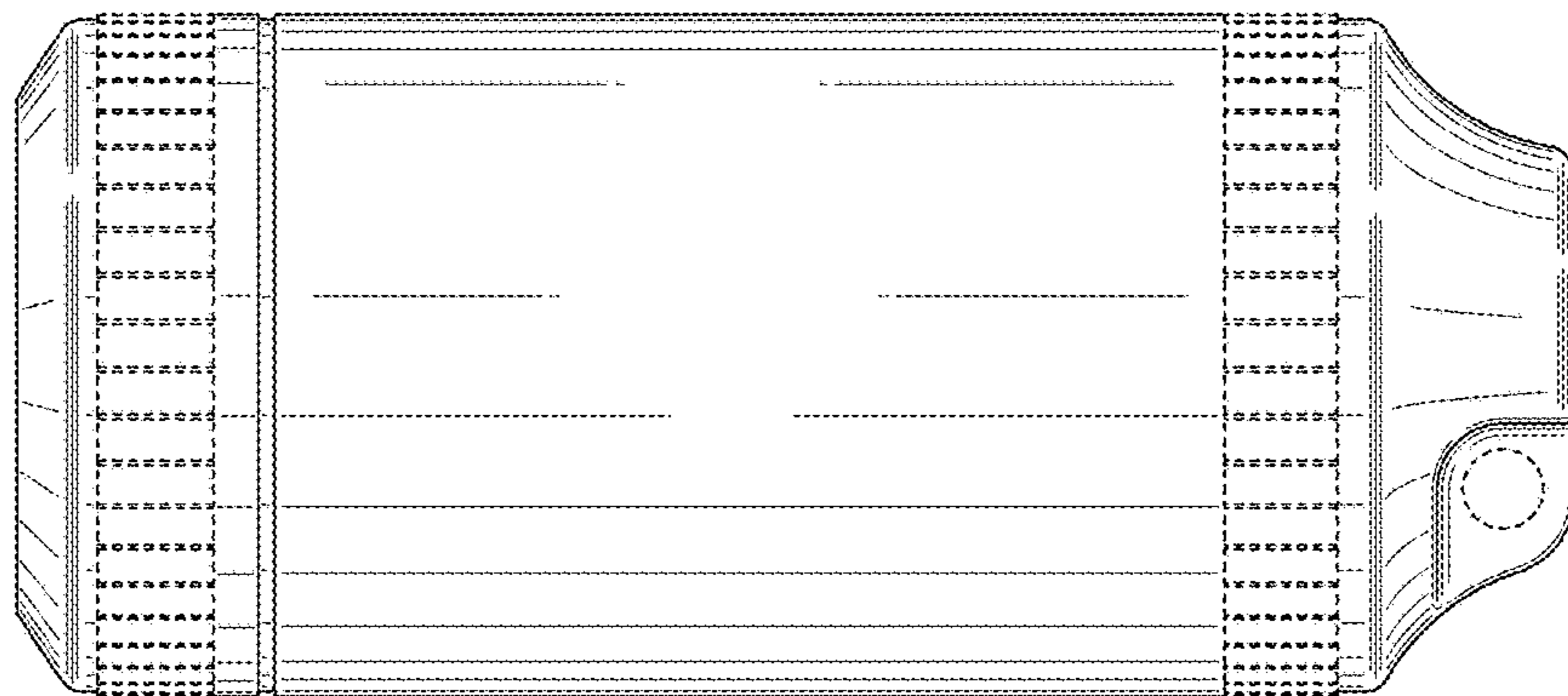


FIG. 5

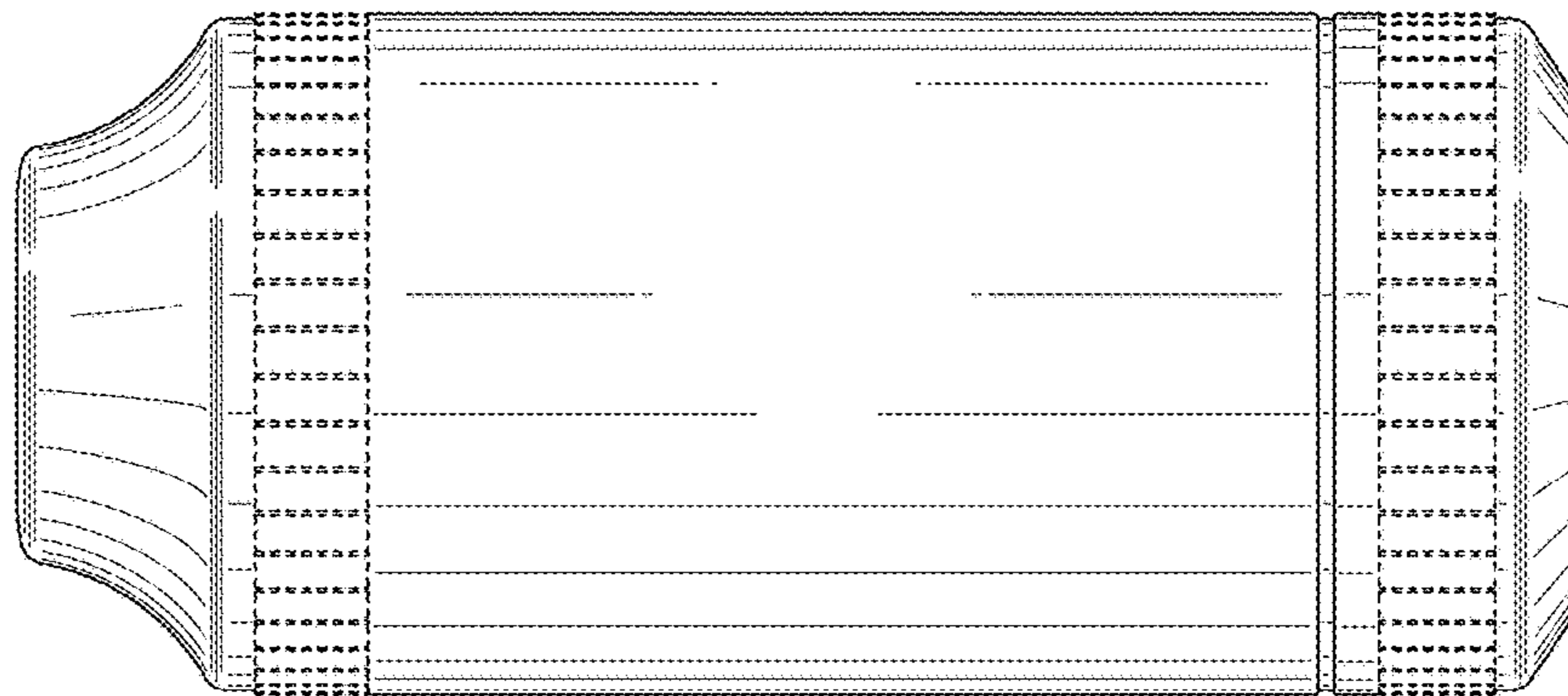


FIG. 6

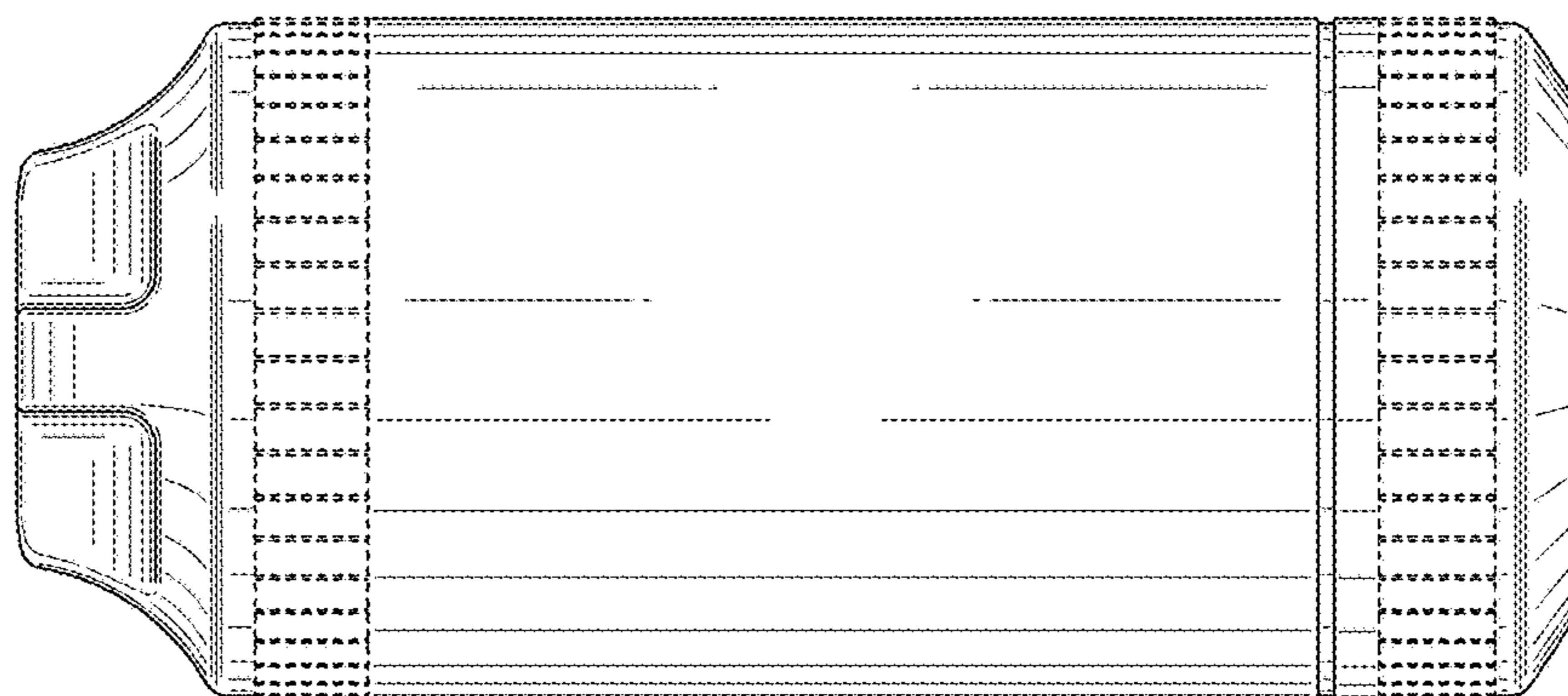


FIG. 7

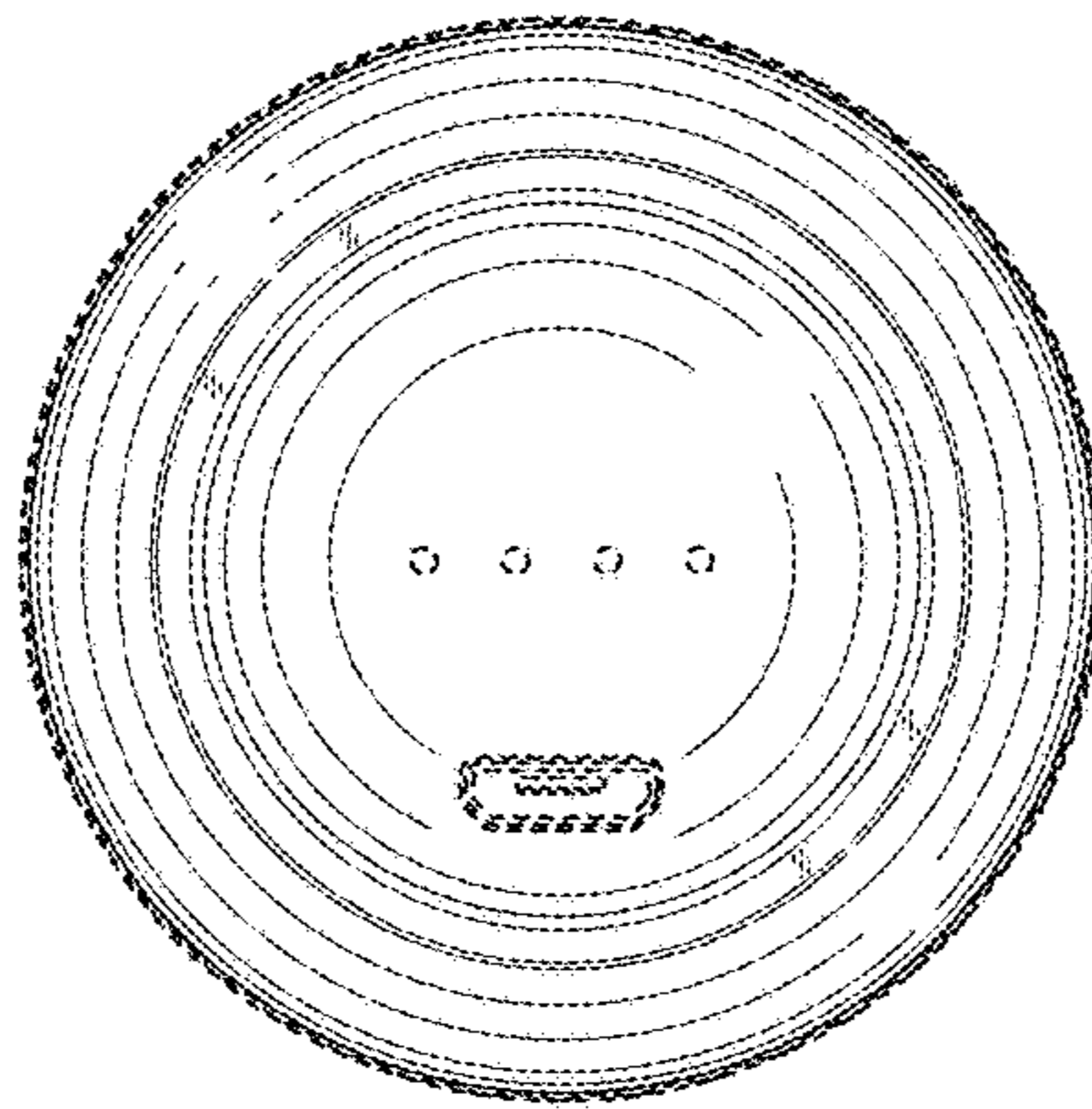
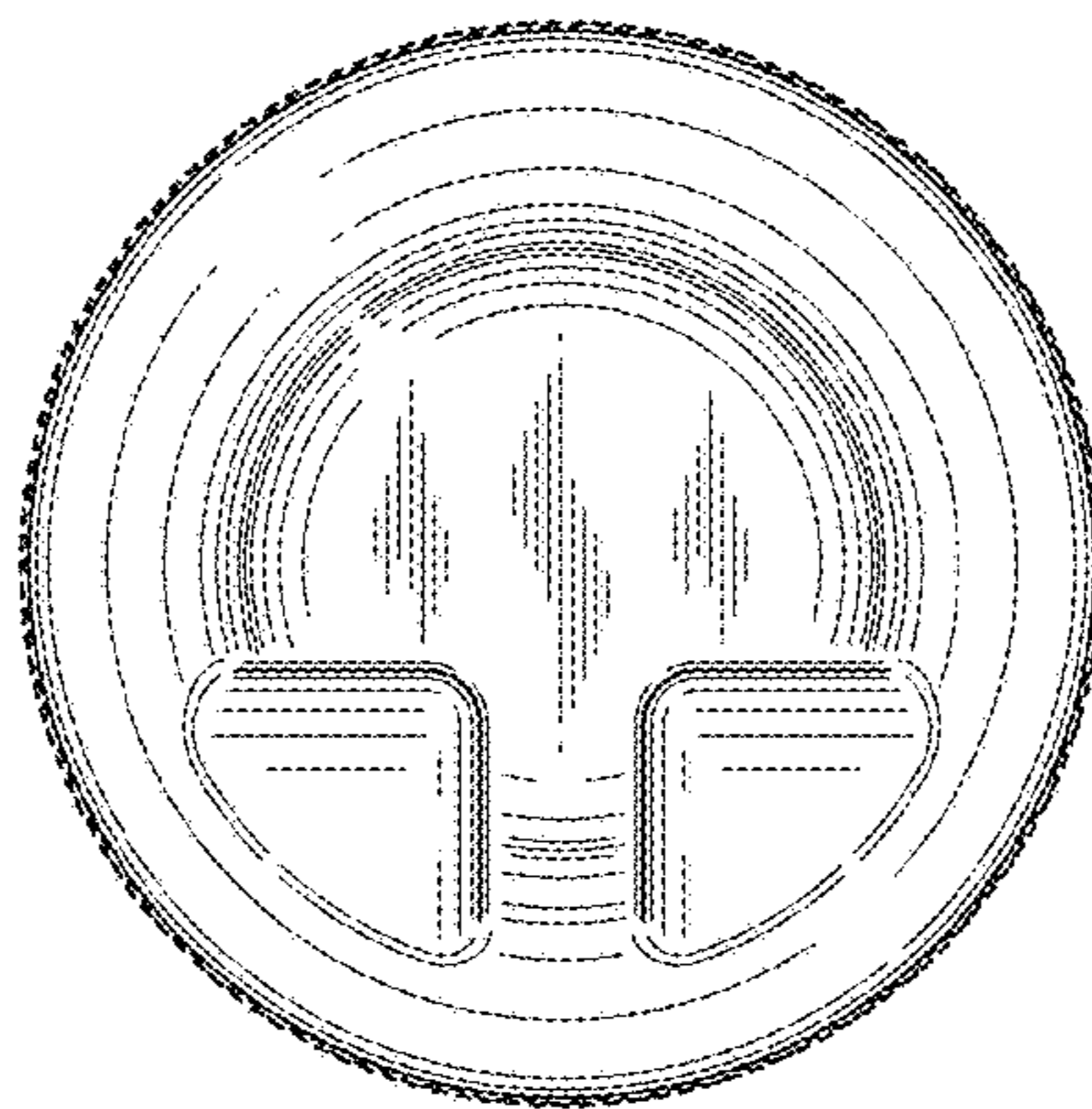


FIG. 8



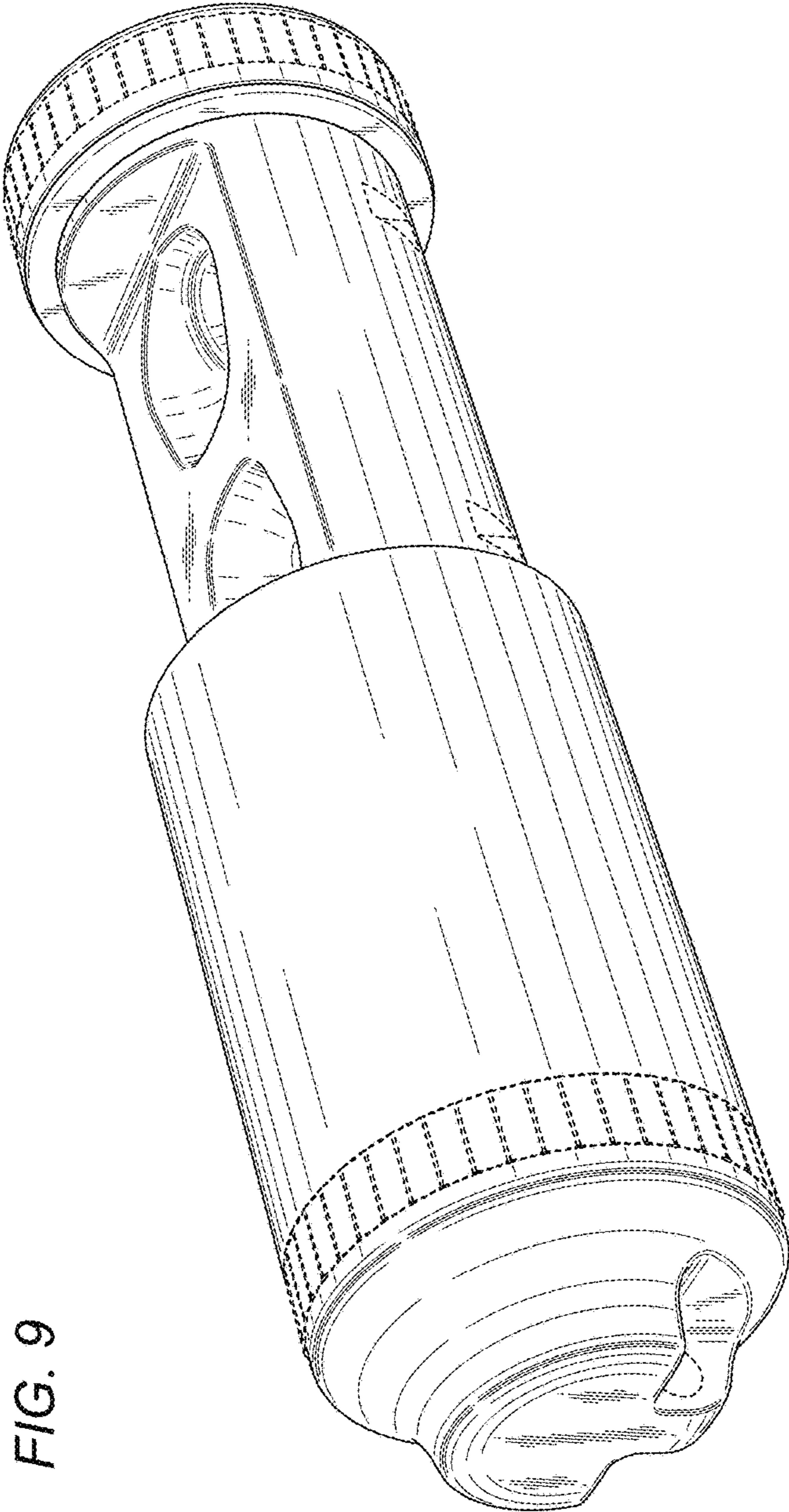


FIG. 9



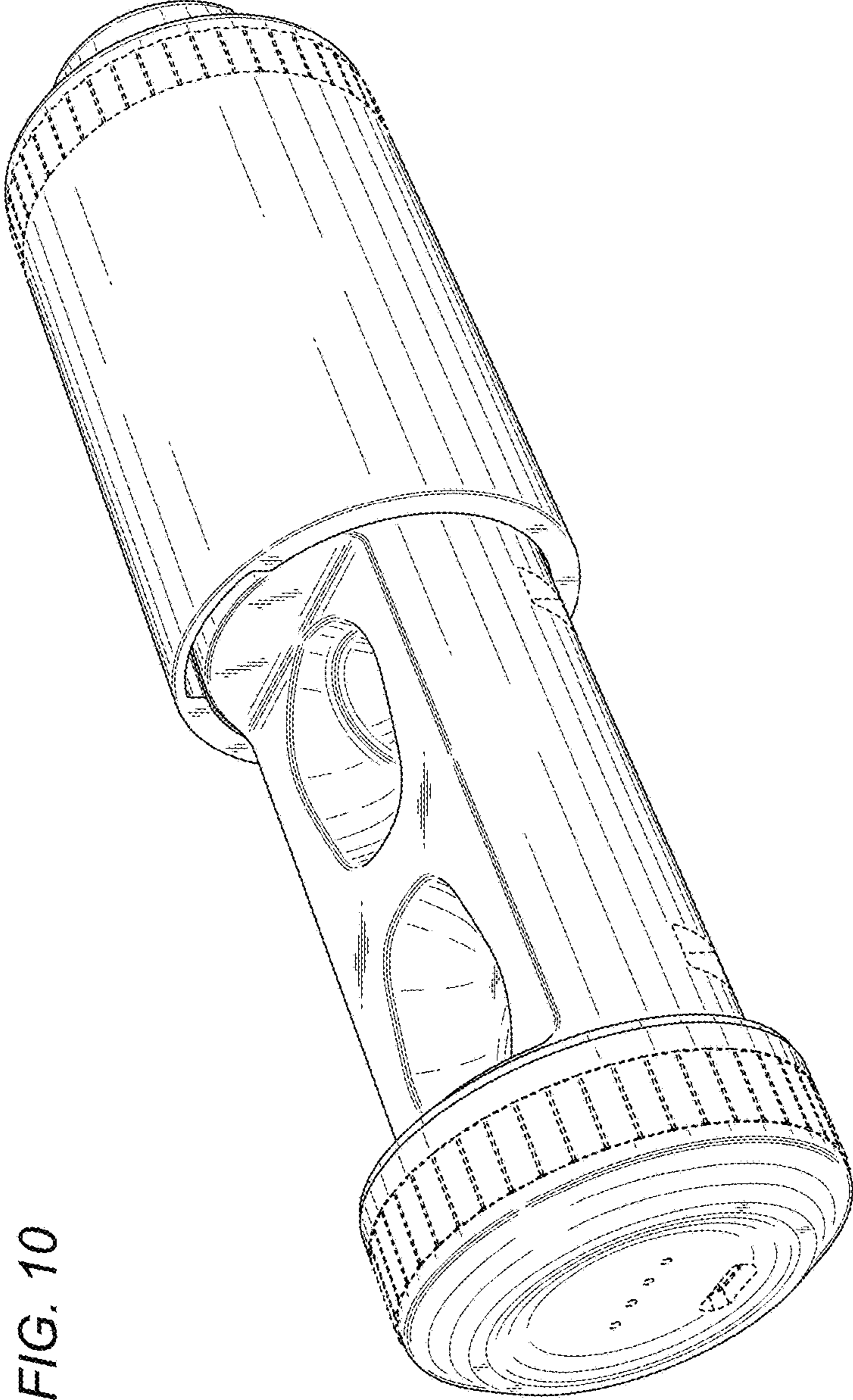


FIG. 10

FIG. 11

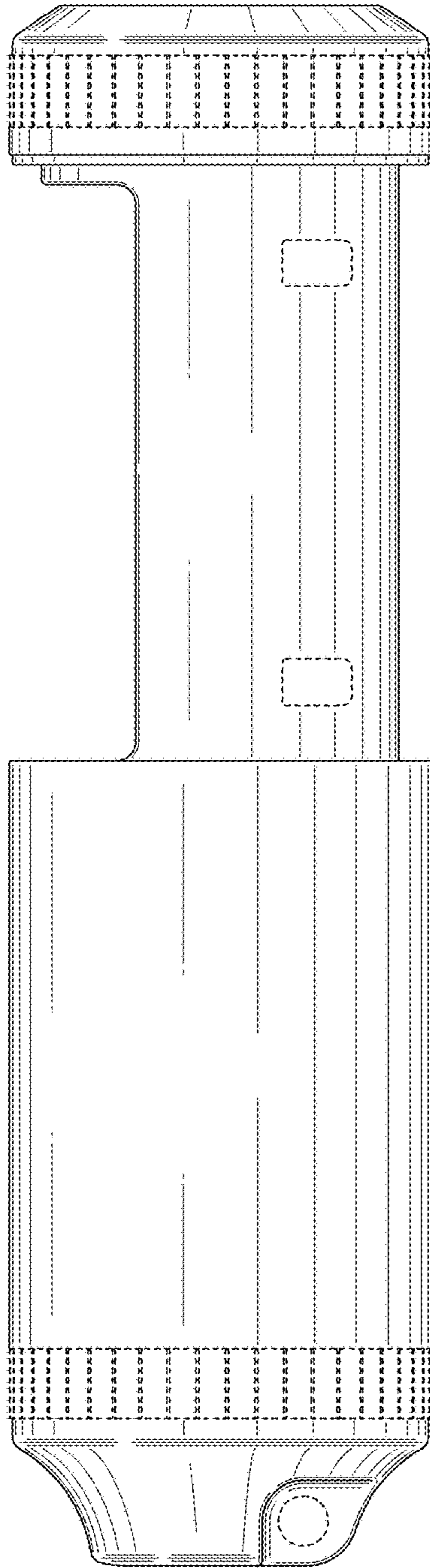


FIG. 12

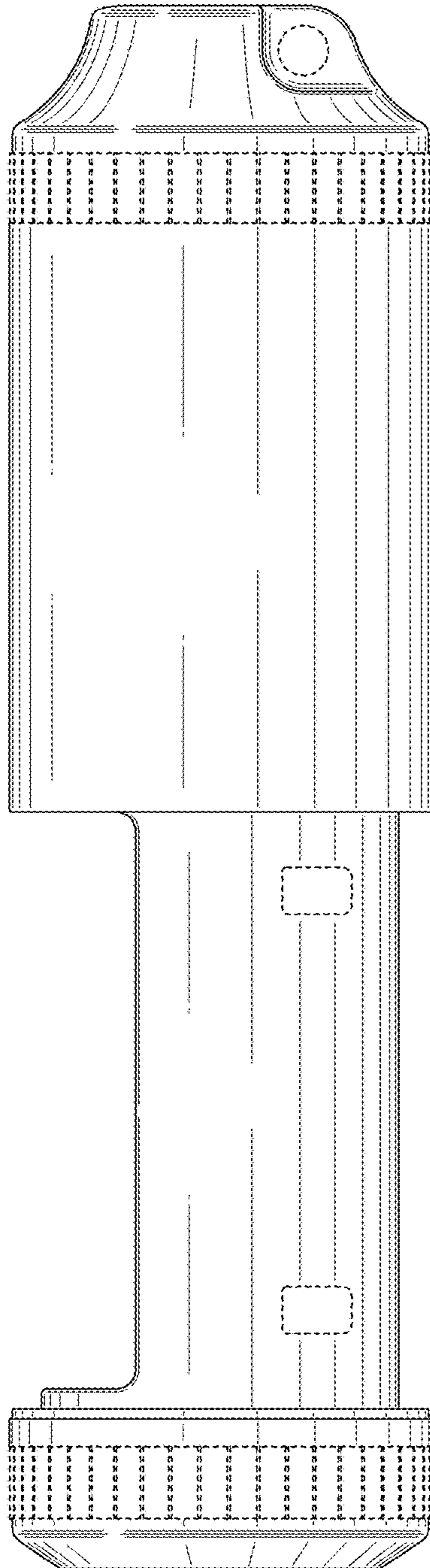


FIG. 13

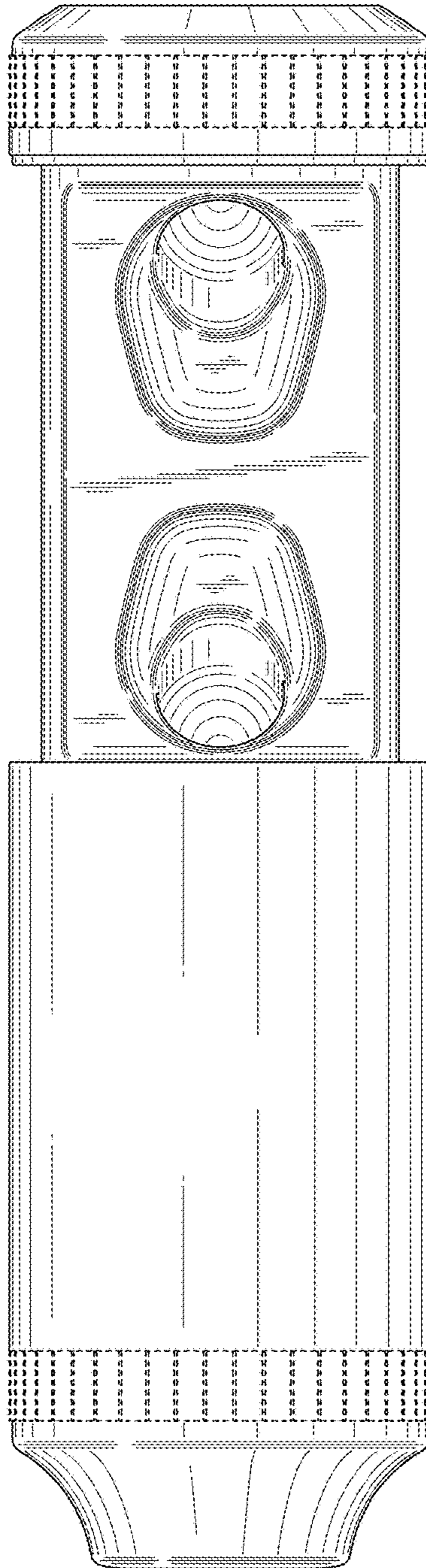
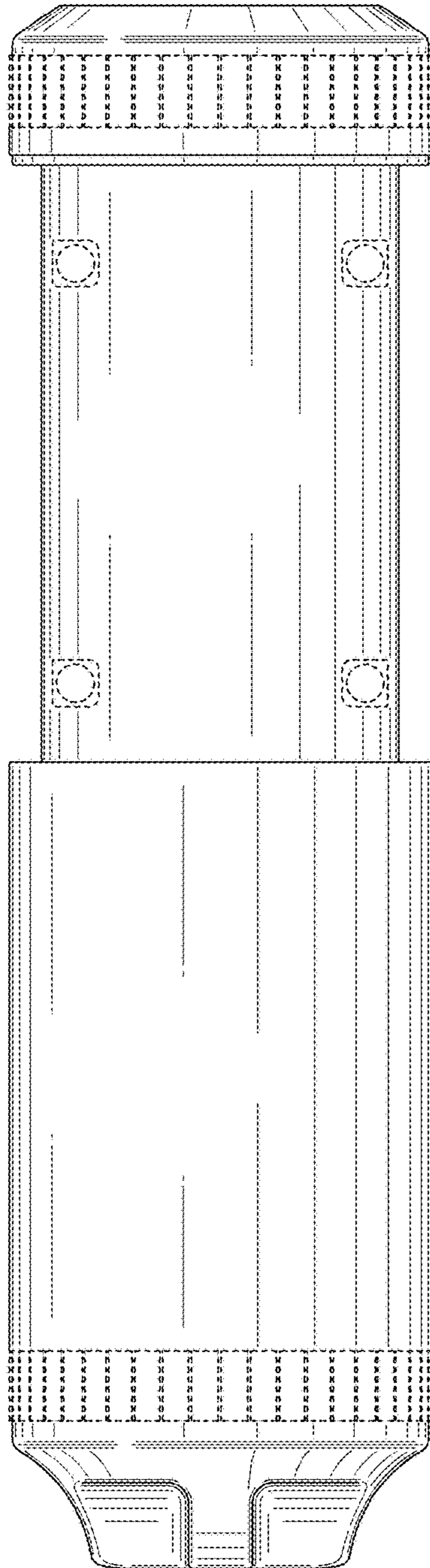


FIG. 14



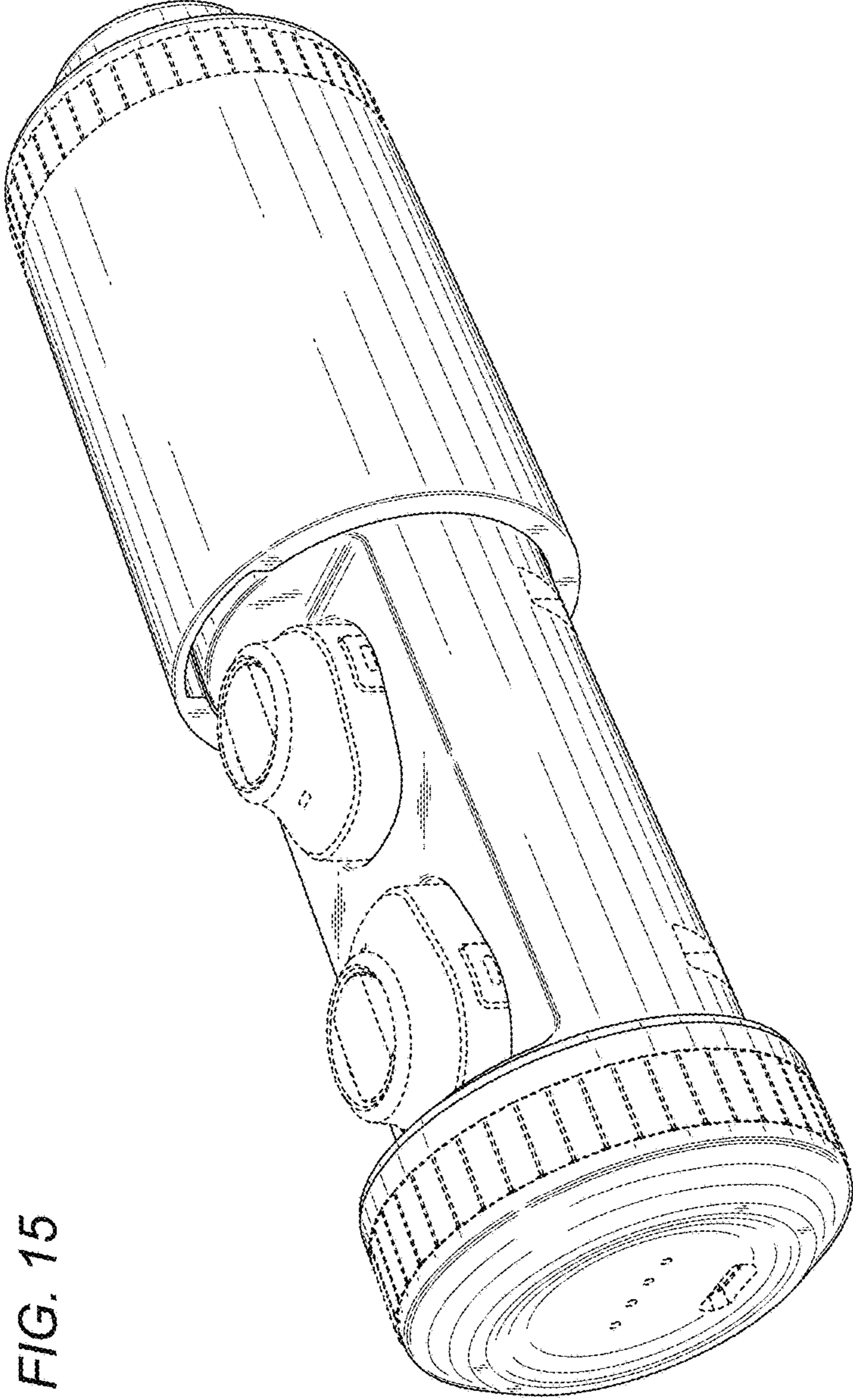


FIG. 15