

US00D866460S

(12) **United States Design Patent** (10) **Patent No.:** **US D866,460 S**  
**Komoni et al.** (45) **Date of Patent:** **\*\* Nov. 12, 2019**

(54) **CHARGING DOCK**  
(71) Applicant: **Tive, Inc.**, Worcester, MA (US)  
(72) Inventors: **Krenar Komoni**, Arlington, MA (US);  
**Walker S. Harden**, Palo Alto, CA (US); **Martin Forest**, Arlington, MA (US); **Avery Louie**, Somerville, MA (US)  
(73) Assignee: **Tive, Inc.**, Worcester, MA (US)  
(\*\*) Term: **15 Years**  
(21) Appl. No.: **29/648,369**  
(22) Filed: **May 21, 2018**  
(51) **LOC (12) Cl.** ..... **13-02**  
(52) **U.S. Cl.**  
USPC ..... **D13/108**  
(58) **Field of Classification Search**  
USPC ..... D13/107-110, 118-119, 184; D14/251,  
D14/253, 432, 434  
CPC ..... Y02E 60/12; Y02T 90/14; Y02T 90/122;  
Y02T 90/128; Y02T 90/163; H02J 7/025;  
H02J 7/0042; H02J 7/0044; H02J 7/0045;  
H02J 7/0003; H01F 38/14; H01R  
13/6675; H01M 2/1022; H01M 2/1055;  
H01M 10/44; H01M 10/46; H01M  
10/425; B60L 11/182  
See application file for complete search history.

(56) **References Cited**  
U.S. PATENT DOCUMENTS  
D241,555 S \* 9/1976 Goldman et al. .... D13/107  
D336,631 S \* 6/1993 Ivester ..... D13/108  
D375,936 S \* 11/1996 Palatov ..... D13/108  
D388,764 S \* 1/1998 Bartling ..... D13/107  
D395,281 S \* 6/1998 Waldner ..... D13/108  
D397,084 S \* 8/1998 Siddoway ..... D13/107  
D519,921 S \* 5/2006 Claxton ..... D13/108

D520,447 S \* 5/2006 Liu ..... D13/108  
D526,995 S \* 8/2006 Claxton ..... D13/108  
D551,163 S \* 9/2007 Hamasaki ..... D13/107  
D563,245 S 3/2008 Deboves et al.  
D582,806 S 12/2008 Schmid-Schweiger  
D609,637 S \* 2/2010 Chu ..... D13/108  
D629,355 S \* 12/2010 Bodley ..... D13/108  
D647,907 S \* 11/2011 Perry ..... D14/434  
D653,206 S \* 1/2012 Heine ..... D13/108  
D675,622 S 2/2013 Petrick et al.  
D680,066 S \* 4/2013 Kinoshita ..... D13/107  
D709,445 S 7/2014 Yeh  
D710,797 S \* 8/2014 Awiszus ..... D13/107  
D722,957 S 2/2015 Kotaniemi et al.  
D736,703 S 8/2015 Kotaniemi et al.  
D743,884 S \* 11/2015 Kotaniemi ..... D13/108  
D743,966 S \* 11/2015 Izen ..... D14/434  
D755,122 S \* 5/2016 Gecawicz ..... D13/107  
D773,456 S 12/2016 Mitchell

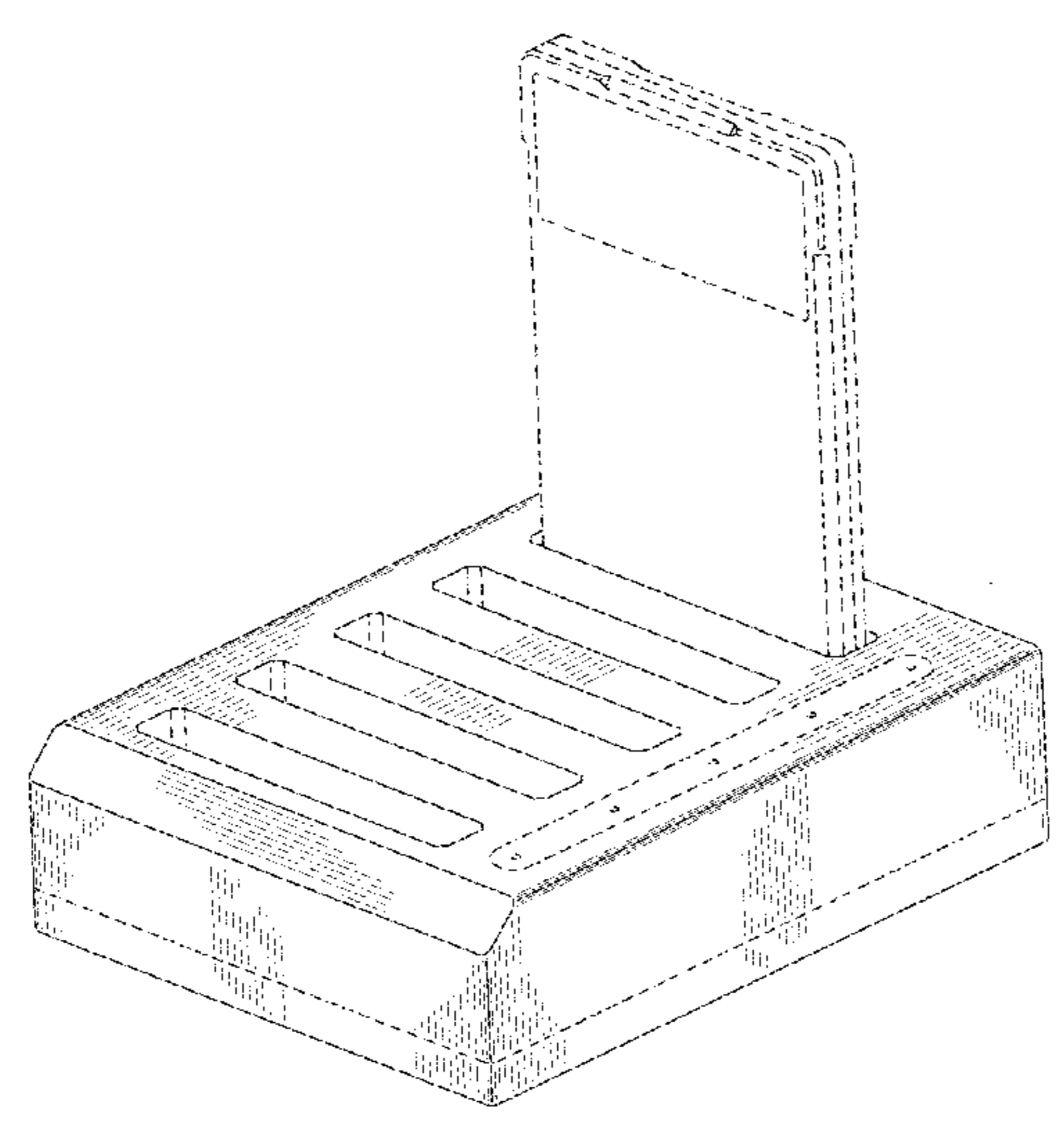
(Continued)

*Primary Examiner* — Rosemary K Tarcza  
(74) *Attorney, Agent, or Firm* — Foley Hoag LLP; Rajesh Vallabh

(57) **CLAIM**  
The ornamental design for a charging dock, as shown and described.

**DESCRIPTION**  
FIG. 1 is a perspective view of a charging dock showing our new design;  
FIG. 2 is a right side view thereof, the left side view being a mirror image of the right side view;  
FIG. 3 is a rear view thereof;  
FIG. 4 is a bottom view thereof;  
FIG. 5 is a top view thereof; and,  
FIG. 6 is a front view thereof.  
The broken lines shown in the drawings depict environmental structure and portions of the charging dock that form no part of the claimed design.

**1 Claim, 2 Drawing Sheets**



(56)

**References Cited**

U.S. PATENT DOCUMENTS

D795,187 S	8/2017	Skurdal	
D795,189 S	8/2017	Skurdal	
D805,030 S	12/2017	Massar	
D813,806 S *	3/2018	Ito .....	D13/108
D820,783 S *	6/2018	Gelder .....	D13/107
D823,792 S *	7/2018	Komoni .....	D13/107

\* cited by examiner

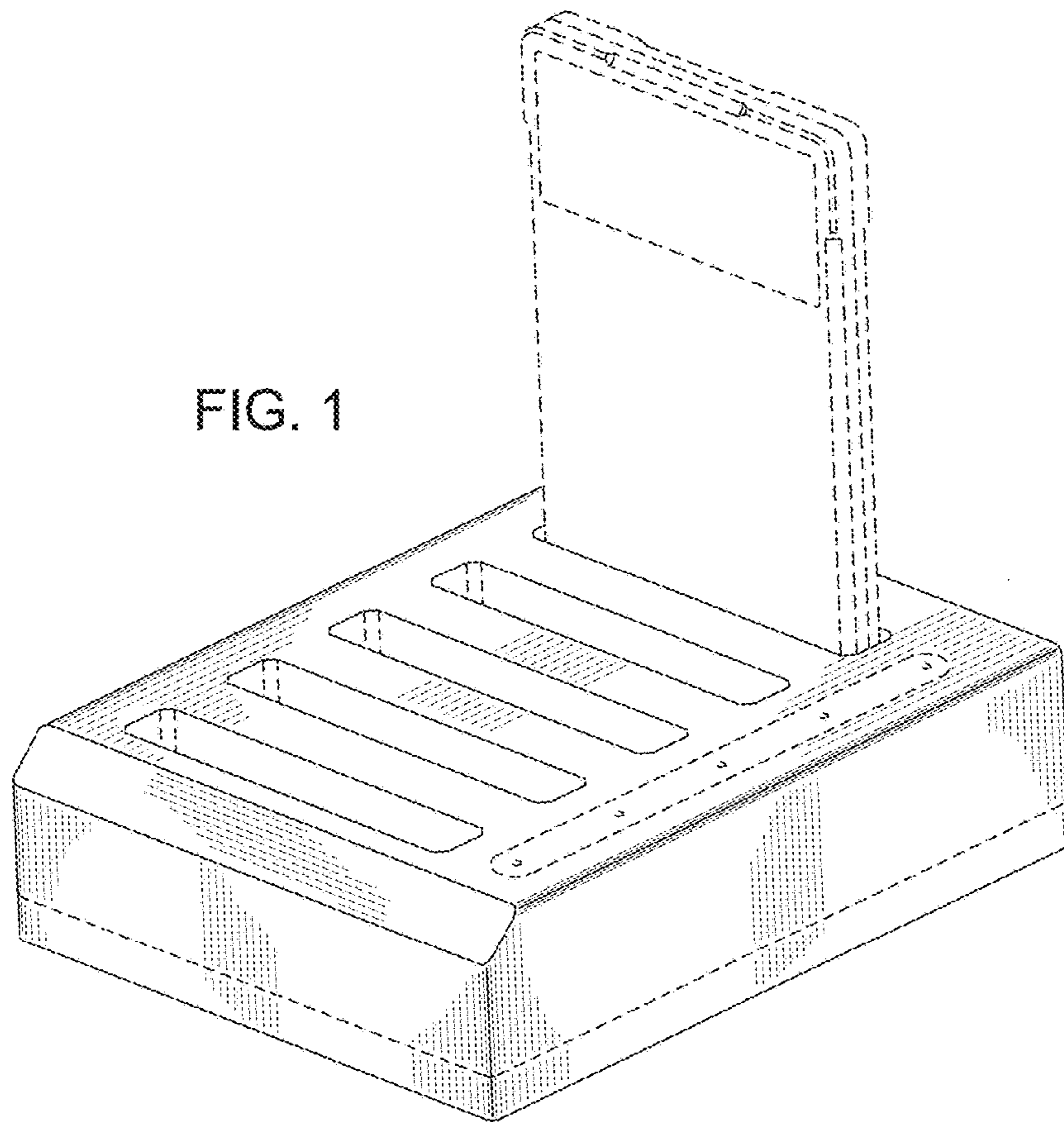


FIG. 1

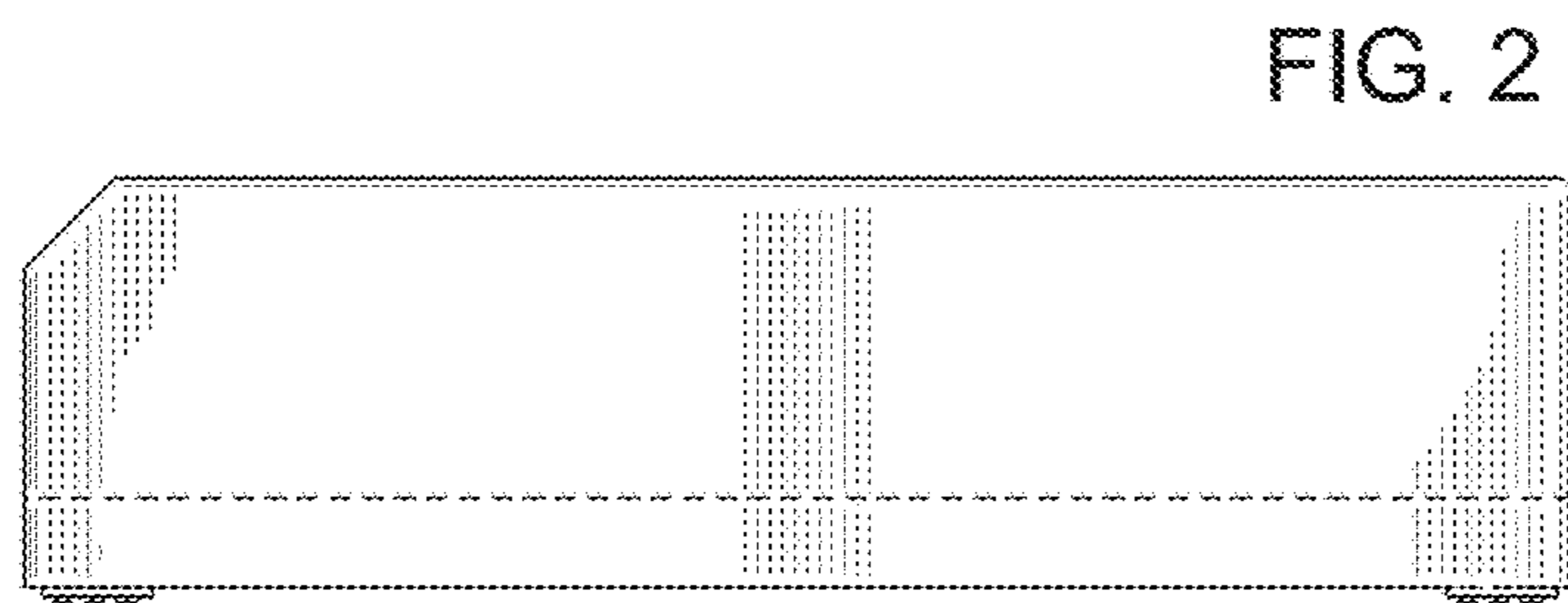


FIG. 2

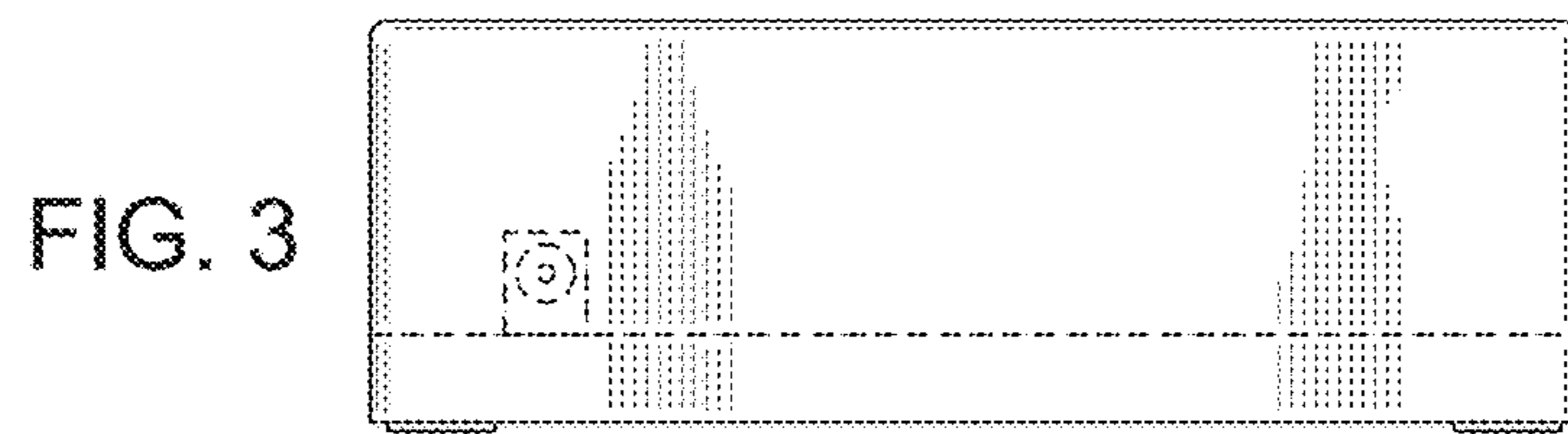


FIG. 3

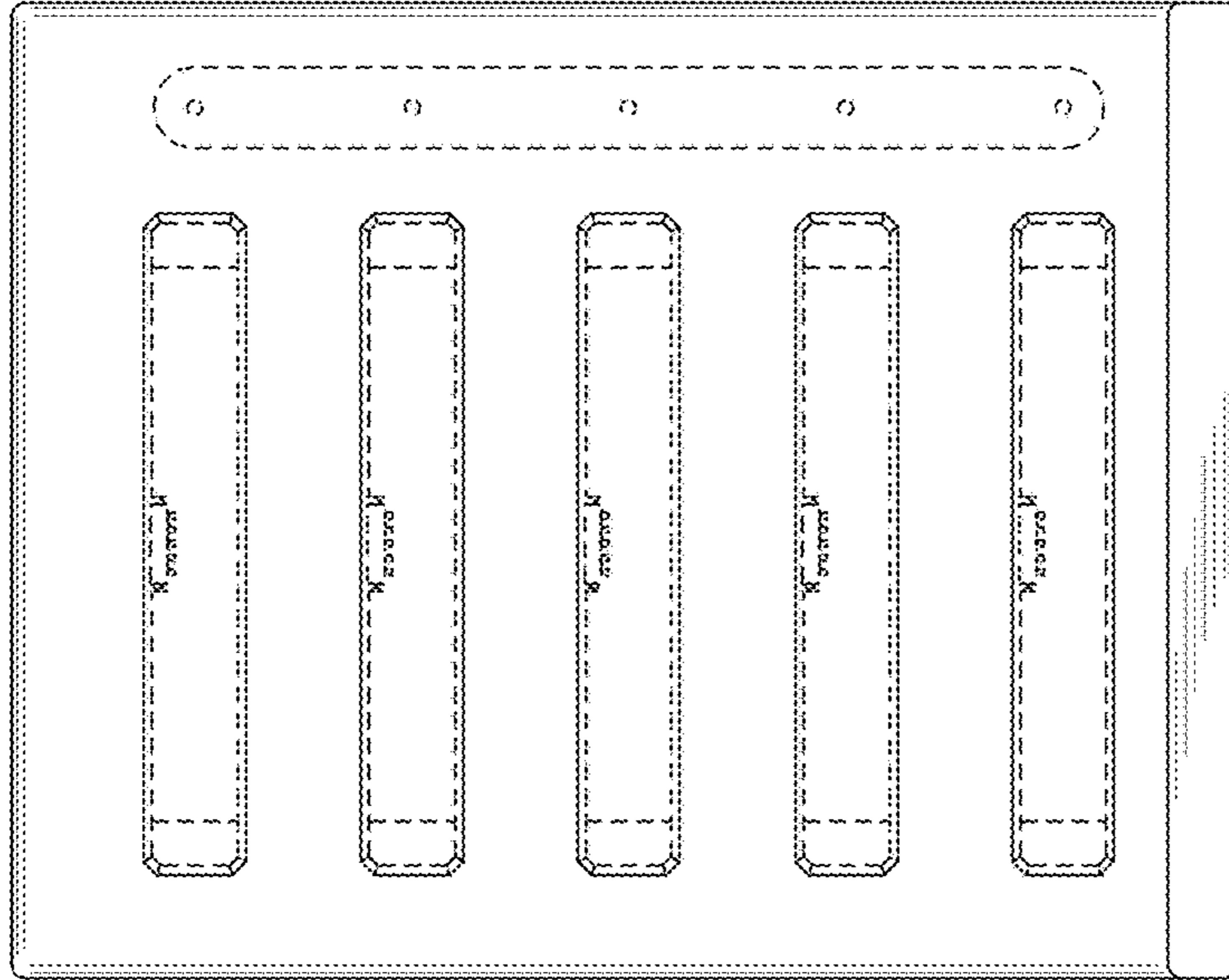


FIG. 5



FIG. 4

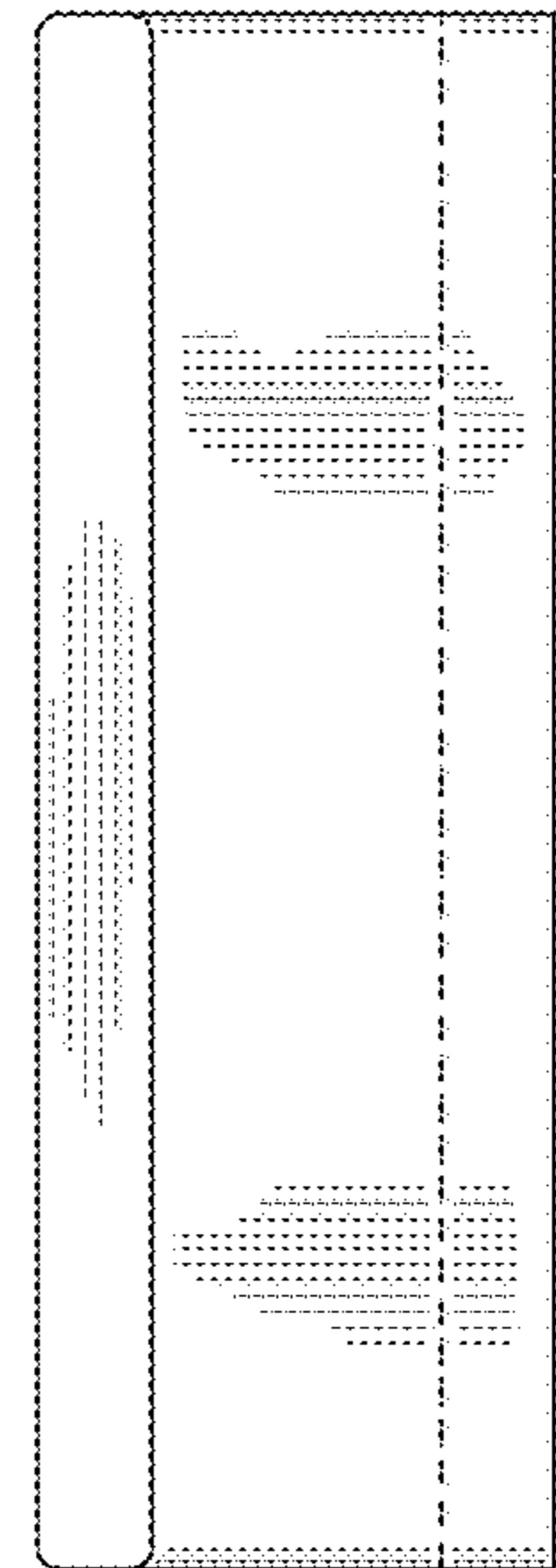


FIG. 6