



US00D866459S

(12) **United States Design Patent**  
**Huang**

(10) **Patent No.:** **US D866,459 S**

(45) **Date of Patent:** **\*\* Nov. 12, 2019**

(54) **CHARGER**

(71) Applicant: **Gengxin Huang**, Yichun (CN)

(72) Inventor: **Gengxin Huang**, Yichun (CN)

(73) Assignee: **Shenzhen City Jinrui Energy Technology Co., Ltd.**, Shenzhen (CN)

(\*\*) Term: **15 Years**

(21) Appl. No.: **29/646,621**

(22) Filed: **May 6, 2018**

(51) **LOC (12) Cl.** ..... **13-02**

(52) **U.S. Cl.**  
USPC ..... **D13/108**

(58) **Field of Classification Search**  
USPC ..... D13/103, 107, 108, 110, 123, 133,  
D13/137.1–137.4, 138.1–138.2,  
D13/139.1–139.8, 152, 154, 184, 118,  
D13/119, 199  
CPC ..... H01R 25/00; H01R 25/006; H01R 13/00;  
H01R 13/04; H01R 13/10; H01R  
13/6666; H01R 13/6675; H01R 13/62;  
H01R 13/66; H01R 9/00; H01R 11/00;  
H01H 2207/00; H01H 2207/022; H01H  
2203/00; H02J 7/00; H02J 7/0003; H02J  
7/0011; H02J 7/0013; H02J 7/0054; H02J  
7/0055; H02J 7/0057; H01M 2/02; H01M  
2/022; H01M 2/0202; H01M 2/0207;  
H01M 2/0212; H01M 2220/10; H01M  
2220/20; Y02E 60/12; Y02E 60/122;  
Y02E 60/124; Y02E 60/50; H02G 3/285;  
Y02T 90/14; Y02T 90/122; Y02T 90/128;  
Y02T 90/163

See application file for complete search history.

(56) **References Cited**

U.S. PATENT DOCUMENTS

|              |         |                         |           |
|--------------|---------|-------------------------|-----------|
| D699,674 S * | 2/2014  | Man .....               | D13/108   |
| D720,289 S * | 12/2014 | Chiang .....            | D13/108   |
| D732,472 S * | 6/2015  | Laffon .....            | D13/110   |
| D786,193 S * | 5/2017  | Akana .....             | D13/108   |
| D786,788 S * | 5/2017  | Chen .....              | D13/108   |
| D791,076 S * | 7/2017  | Kim .....               | D13/108   |
| D791,698 S * | 7/2017  | Kim .....               | D13/108   |
| D791,700 S * | 7/2017  | Loewen .....            | D13/108   |
| D798,806 S * | 10/2017 | Soriano .....           | D13/108   |
| D804,412 S * | 12/2017 | Huang .....             | D13/108   |
| D808,904 S * | 1/2018  | Koenig .....            | D13/110   |
| D820,208 S * | 6/2018  | Lemelson .....          | D13/110   |
| D820,209 S * | 6/2018  | Lemelson .....          | D13/110   |
| D835,043 S * | 12/2018 | Liao .....              | D13/137.3 |
| D836,555 S * | 12/2018 | Xu .....                | D13/137.2 |
| D841,573 S * | 2/2019  | Tyrrell .....           | D13/103   |
| D845,898 S * | 4/2019  | Laffon de Mazieres .... | D13/110   |
| D849,687 S * | 5/2019  | Dai .....               | D13/137.2 |
| D852,132 S * | 6/2019  | Nauroy .....            | D13/108   |

\* cited by examiner

*Primary Examiner* — Rosemary K Tarcza

*Assistant Examiner* — Christy M Nemeth

(57) **CLAIM**

The ornamental design for a charger, as shown and described.

**DESCRIPTION**

FIG. 1 is a front elevational view of a charger showing my new design;

FIG. 2 is a rear elevational view thereof;

FIG. 3 is a left side elevational view thereof;

FIG. 4 is a right side elevational view thereof;

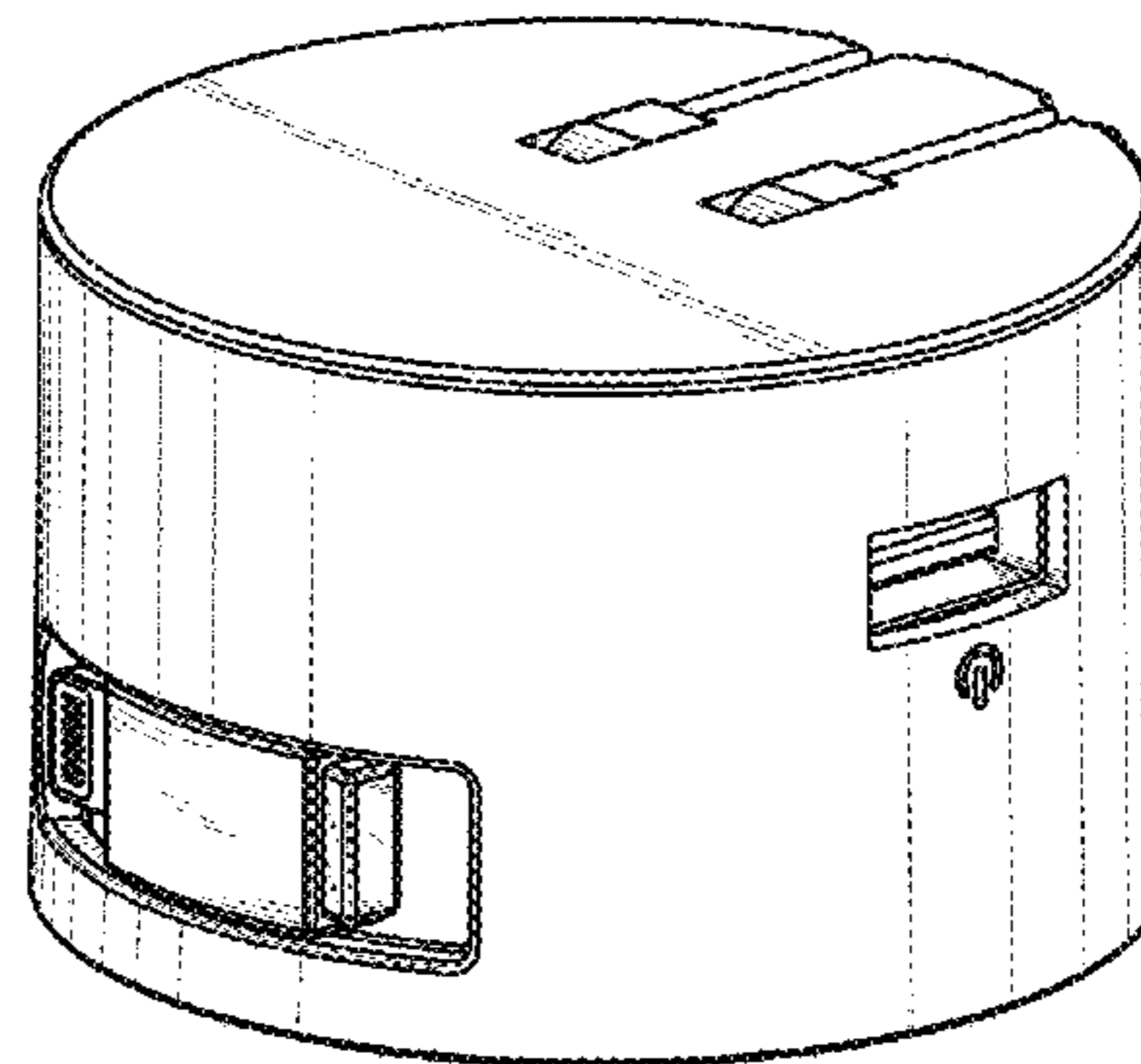
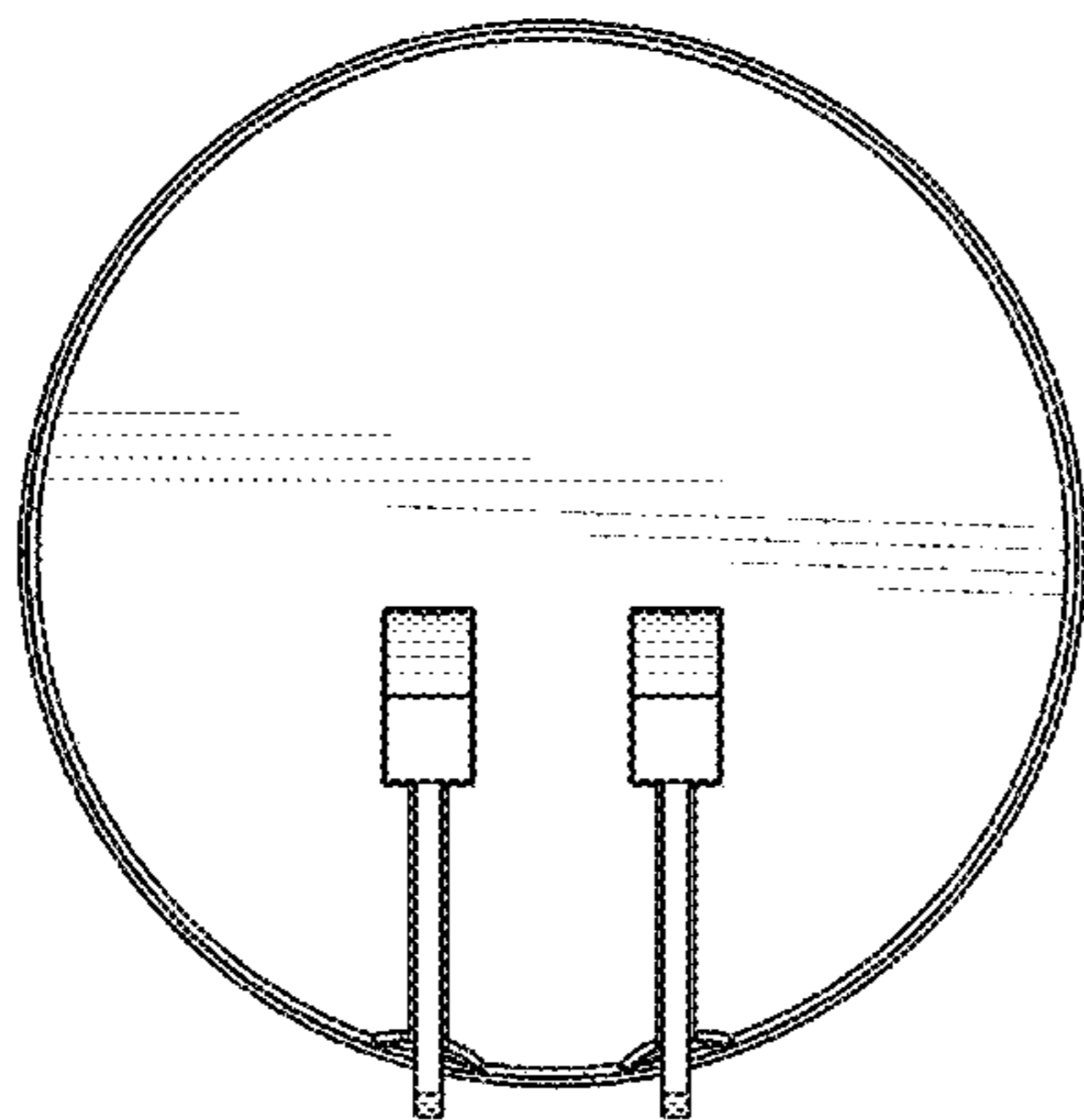
FIG. 5 is a top plan view thereof;

FIG. 6 is a bottom plan view thereof;

FIG. 7 is a perspective view thereof; and,

FIG. 8 is a another perspective view thereof.

**1 Claim, 6 Drawing Sheets**



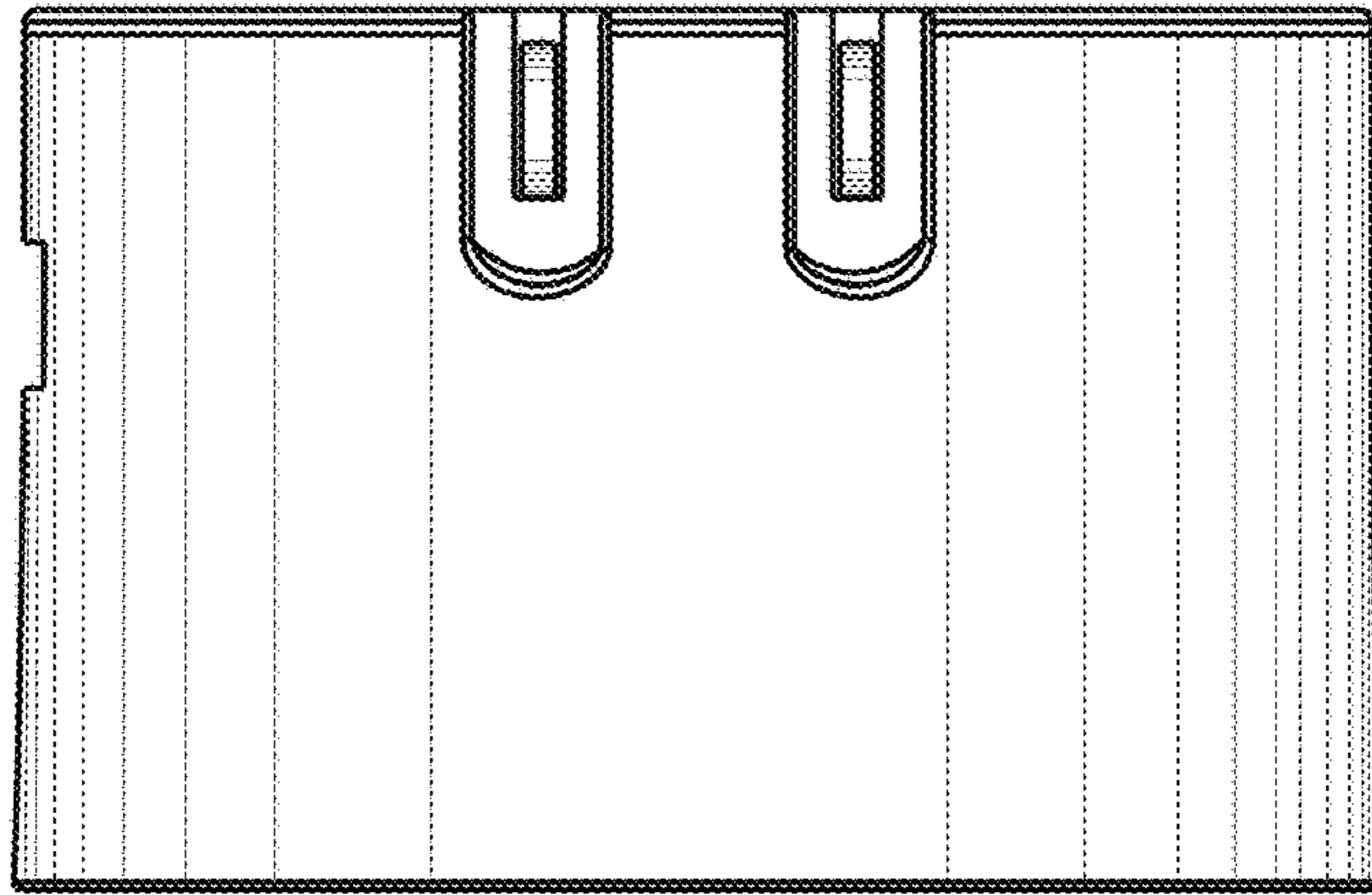


FIG. 1

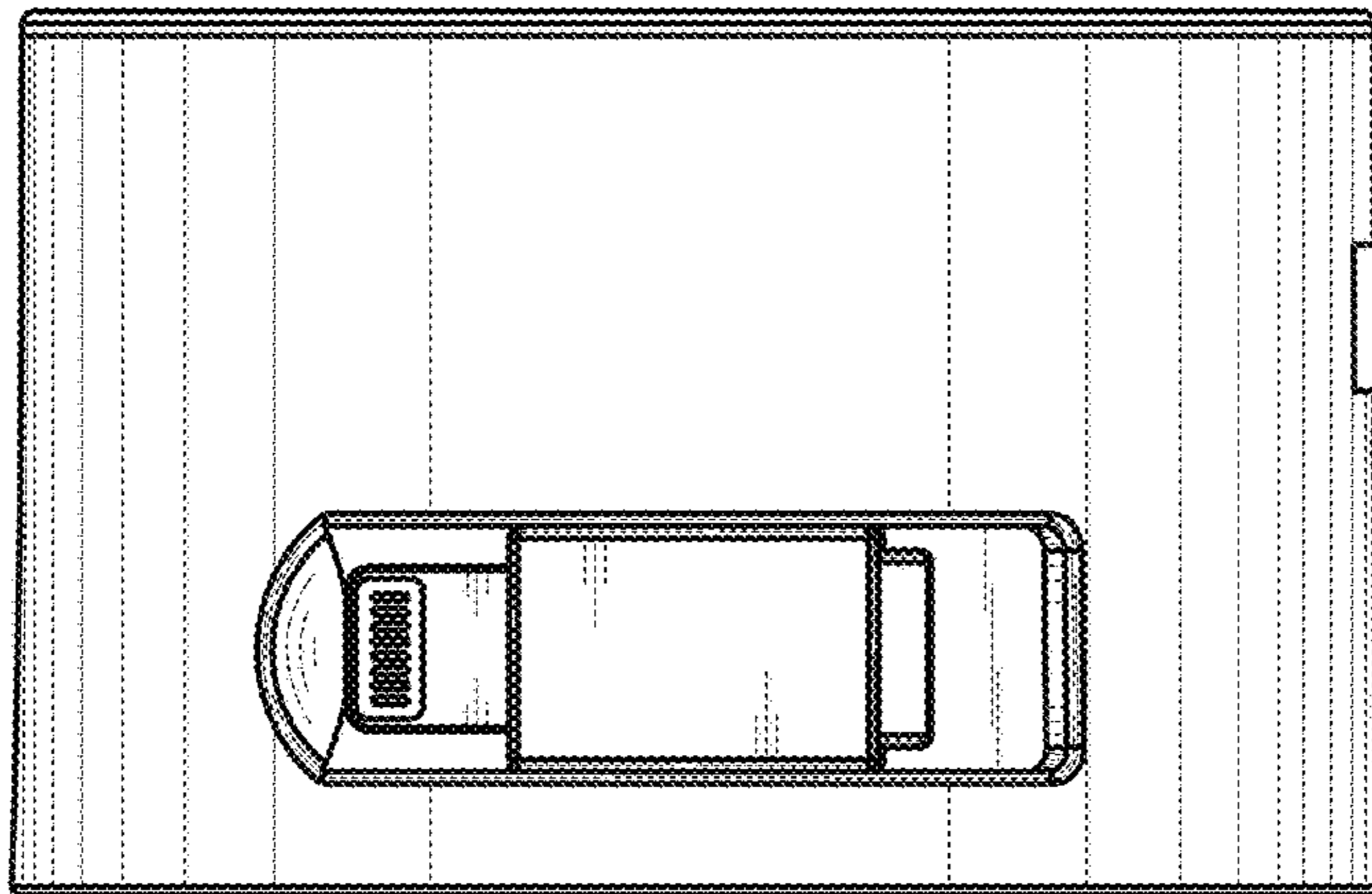


FIG. 2

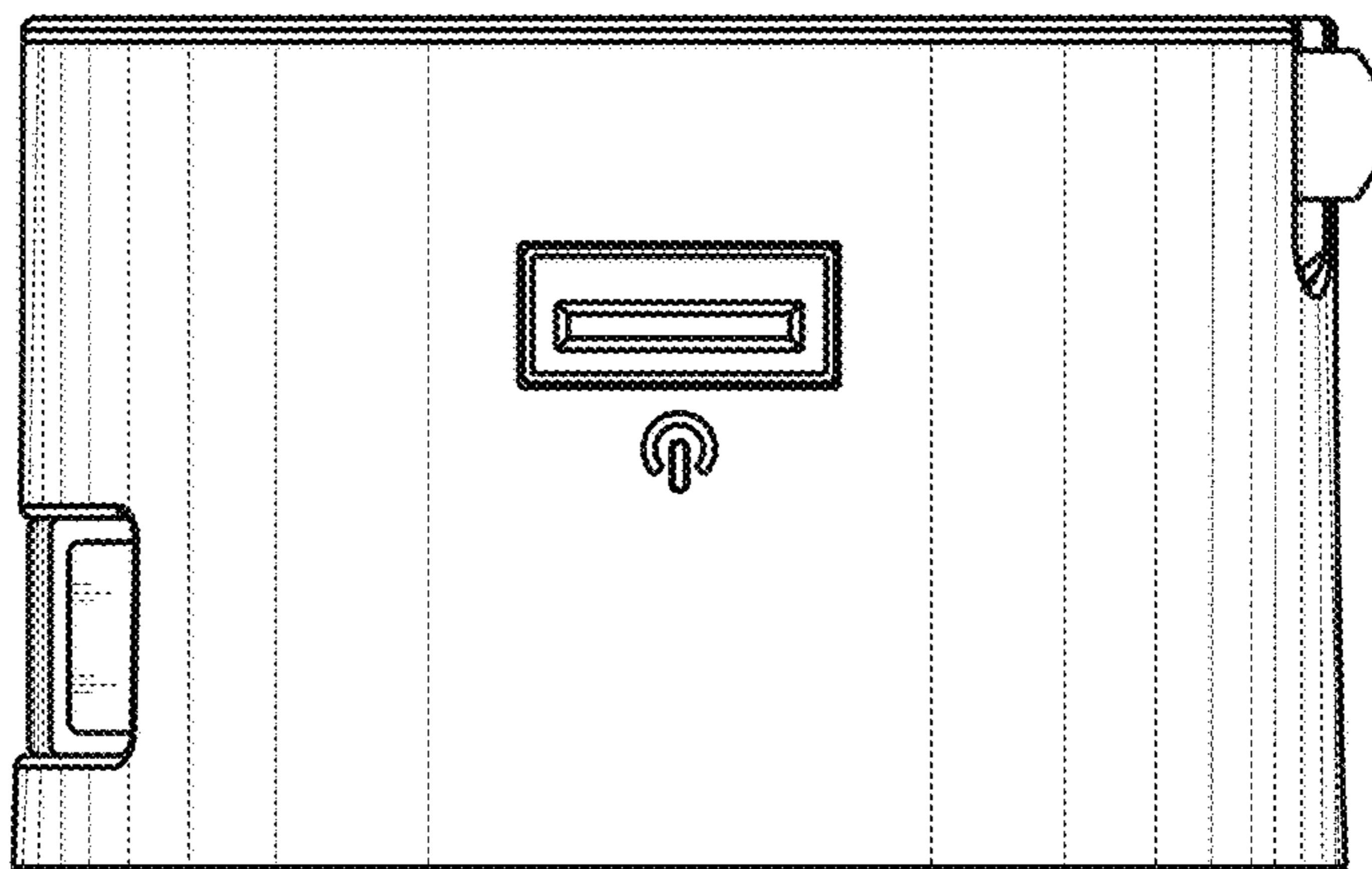


FIG.3

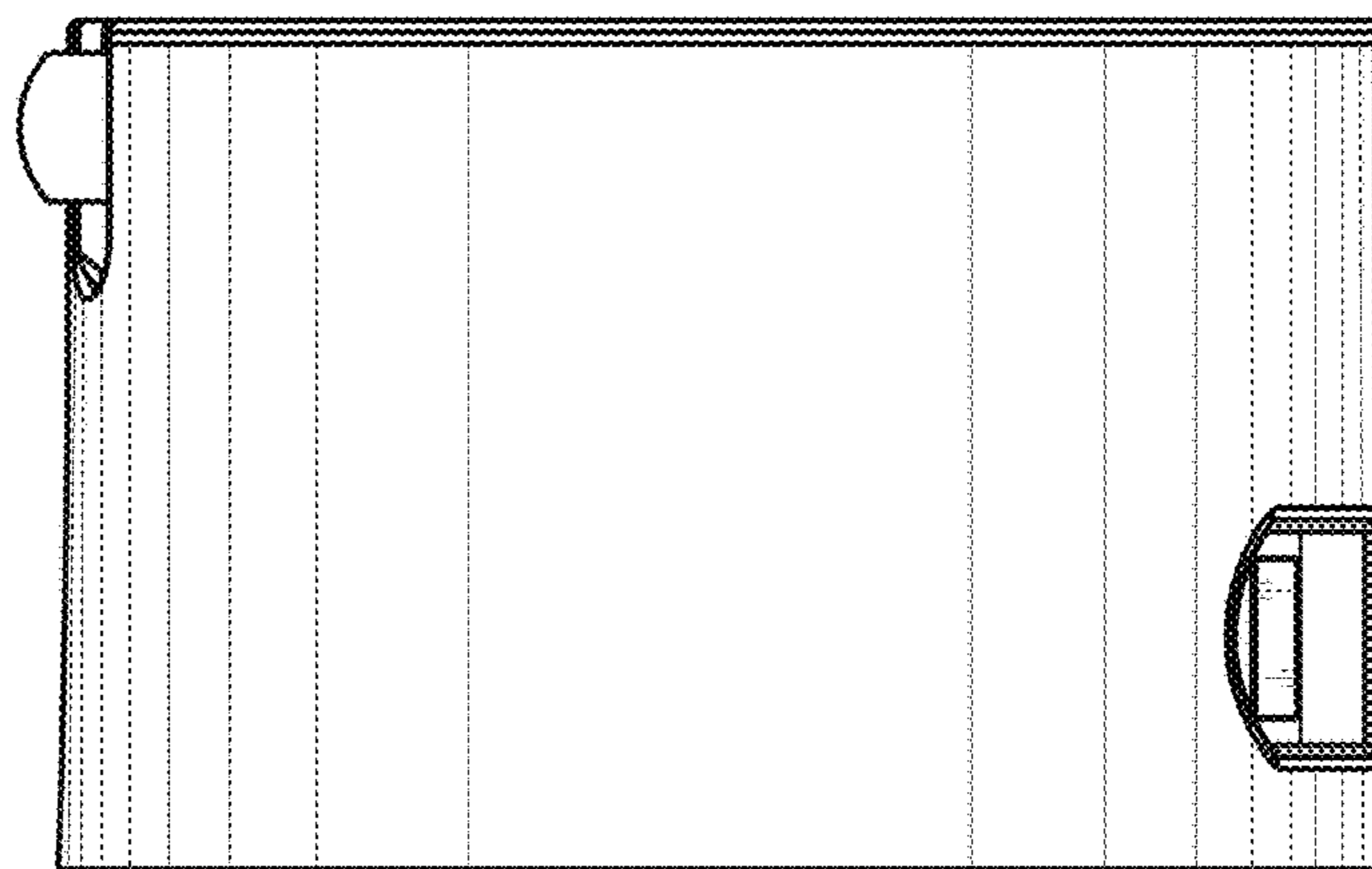


FIG.4

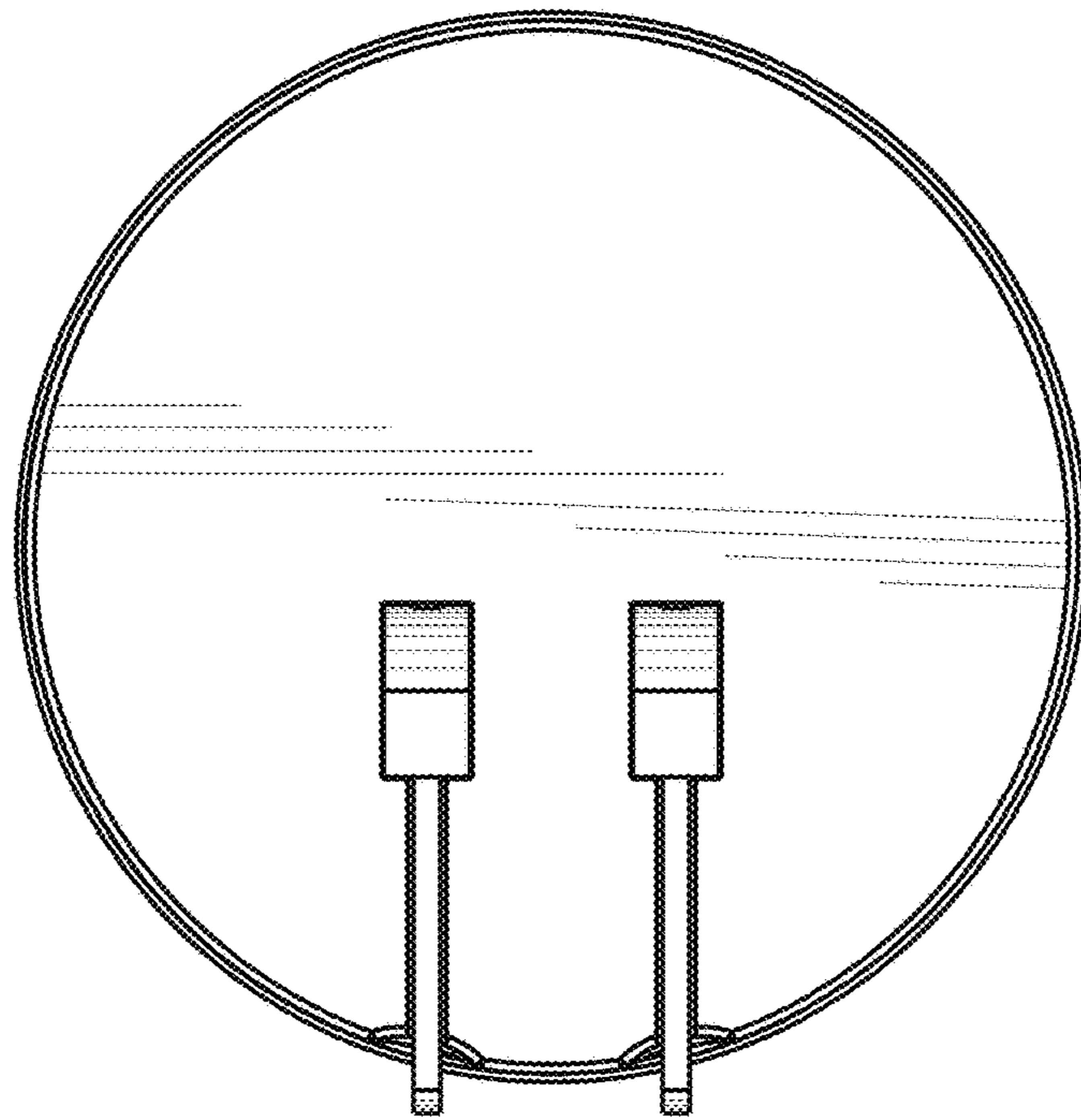


FIG.5

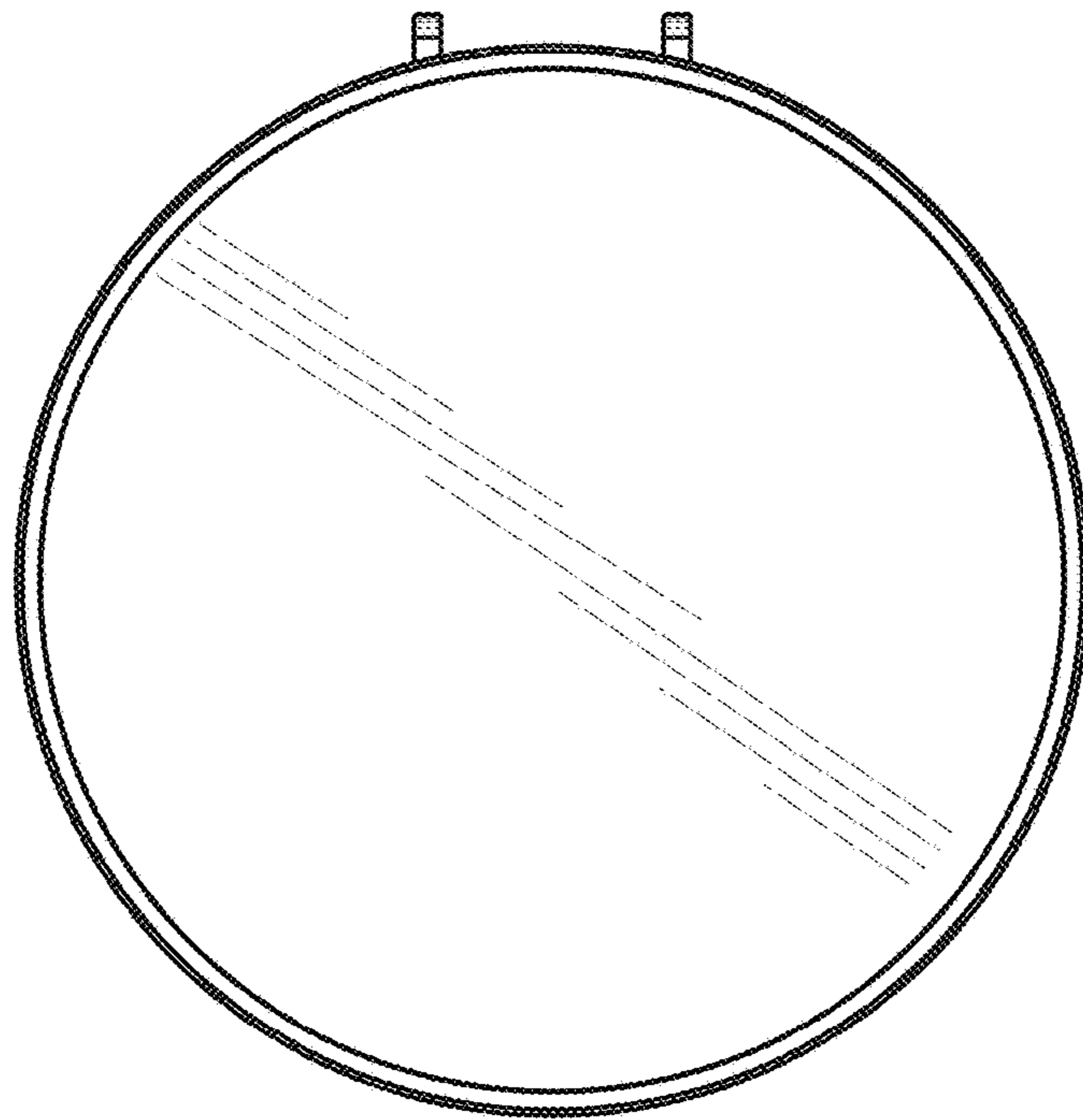


FIG.6

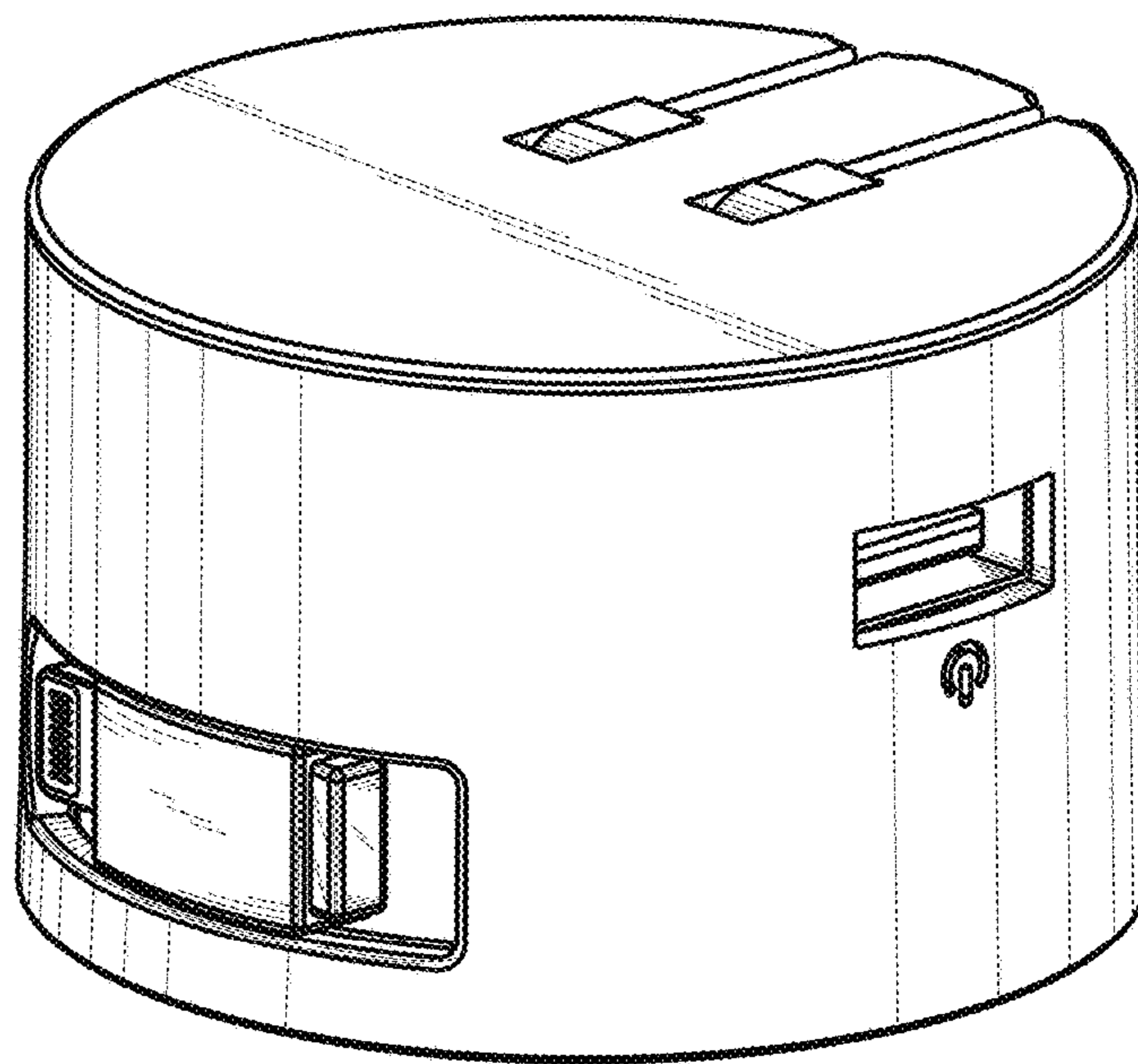


FIG.7

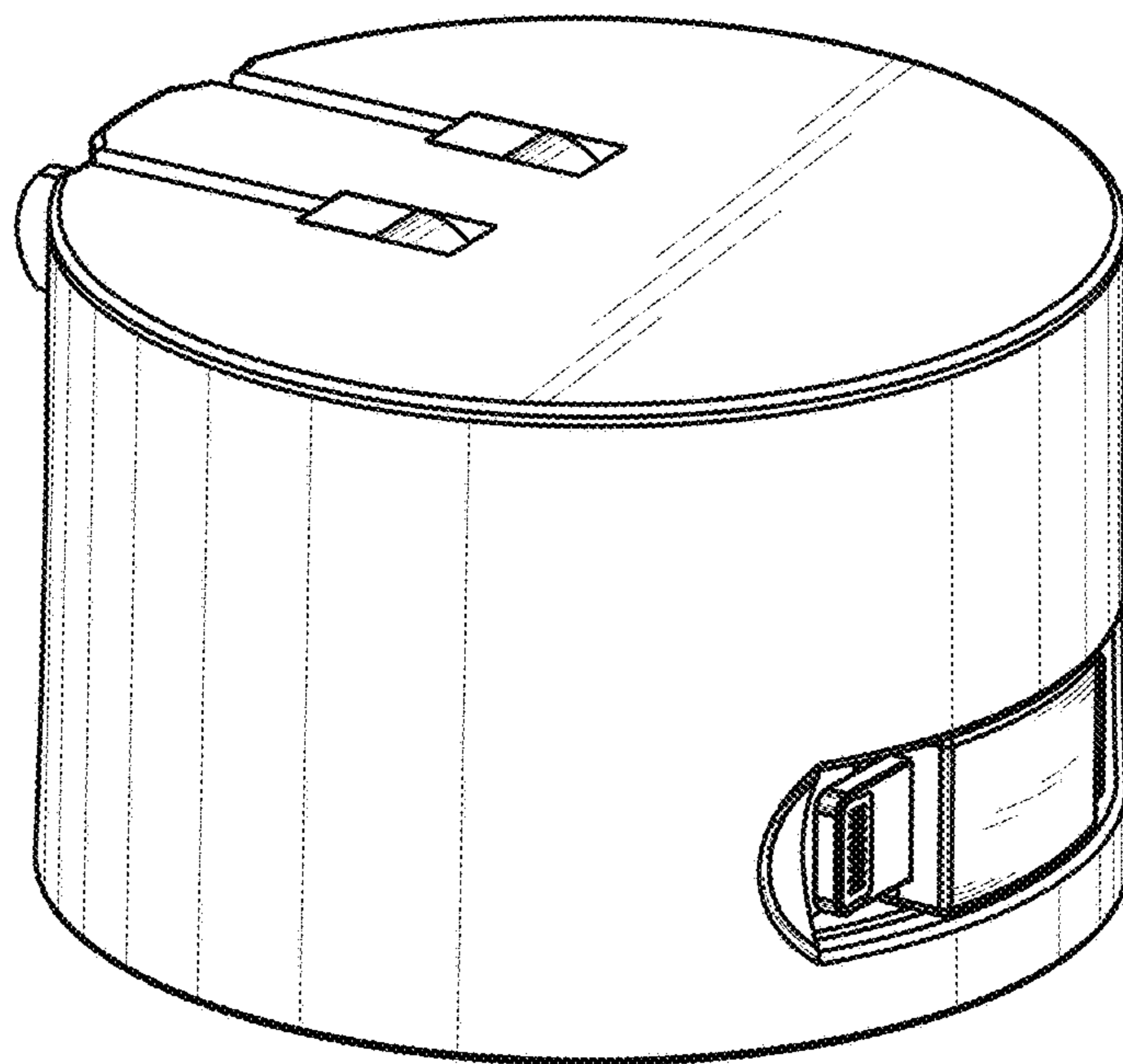


FIG.8