



US00D866458S

(12) **United States Design Patent** (10) **Patent No.:** **US D866,458 S**  
**Chen et al.** (45) **Date of Patent:** **\*\* Nov. 12, 2019**

(54) **MULTI-FUNCTION WIRELESS CHARGER**

(71) Applicants: **Wei Xi Chen**, Guangdong (CN);  
**Tiejun He**, Guangdong (CN)

(72) Inventors: **Wei Xi Chen**, Guangdong (CN);  
**Tiejun He**, Guangdong (CN)

(\*\*) Term: **15 Years**

(21) Appl. No.: **29/643,050**

(22) Filed: **Apr. 4, 2018**

(51) **LOC (12) Cl.** ..... **13-02**

(52) **U.S. Cl.**  
USPC ..... **D13/108**

(58) **Field of Classification Search**  
USPC ..... D13/107-110, 118-119, 184; D14/251,  
D14/253, 432, 434

CPC ..... Y02E 60/12; Y02T 90/14; Y02T 90/122;  
Y02T 90/128; Y02T 90/163; H02J 7/025;  
H02J 7/0042; H02J 7/0044; H02J 7/0045;  
H02J 7/0003; H01F 38/14; H01M 2/1022;  
H01M 2/1055; H01M 10/44; H01M  
10/46; H01M 10/425; B60L 11/182  
See application file for complete search history.

(56) **References Cited**

**U.S. PATENT DOCUMENTS**

D392,913 S \* 3/1998 Edwards ..... D11/132  
D659,093 S \* 5/2012 Schmid ..... D13/108

D706,212 S \* 6/2014 Zwierstra ..... D13/107  
D718,236 S \* 11/2014 Murray ..... D13/108  
D786,791 S \* 5/2017 Jeong ..... D13/108  
D796,435 S \* 9/2017 Cho ..... D13/108  
D812,556 S \* 3/2018 Xu ..... D13/103  
D827,269 S \* 9/2018 Young ..... D2/957  
D837,731 S \* 1/2019 Ma ..... D13/102  
D845,897 S \* 4/2019 Kim ..... D13/108  
D850,371 S \* 6/2019 Yun ..... D13/108  
D850,372 S \* 6/2019 Kong ..... D13/108

\* cited by examiner

*Primary Examiner* — Rosemary K Tarcaza  
*Assistant Examiner* — Nathaniel D. Buckner

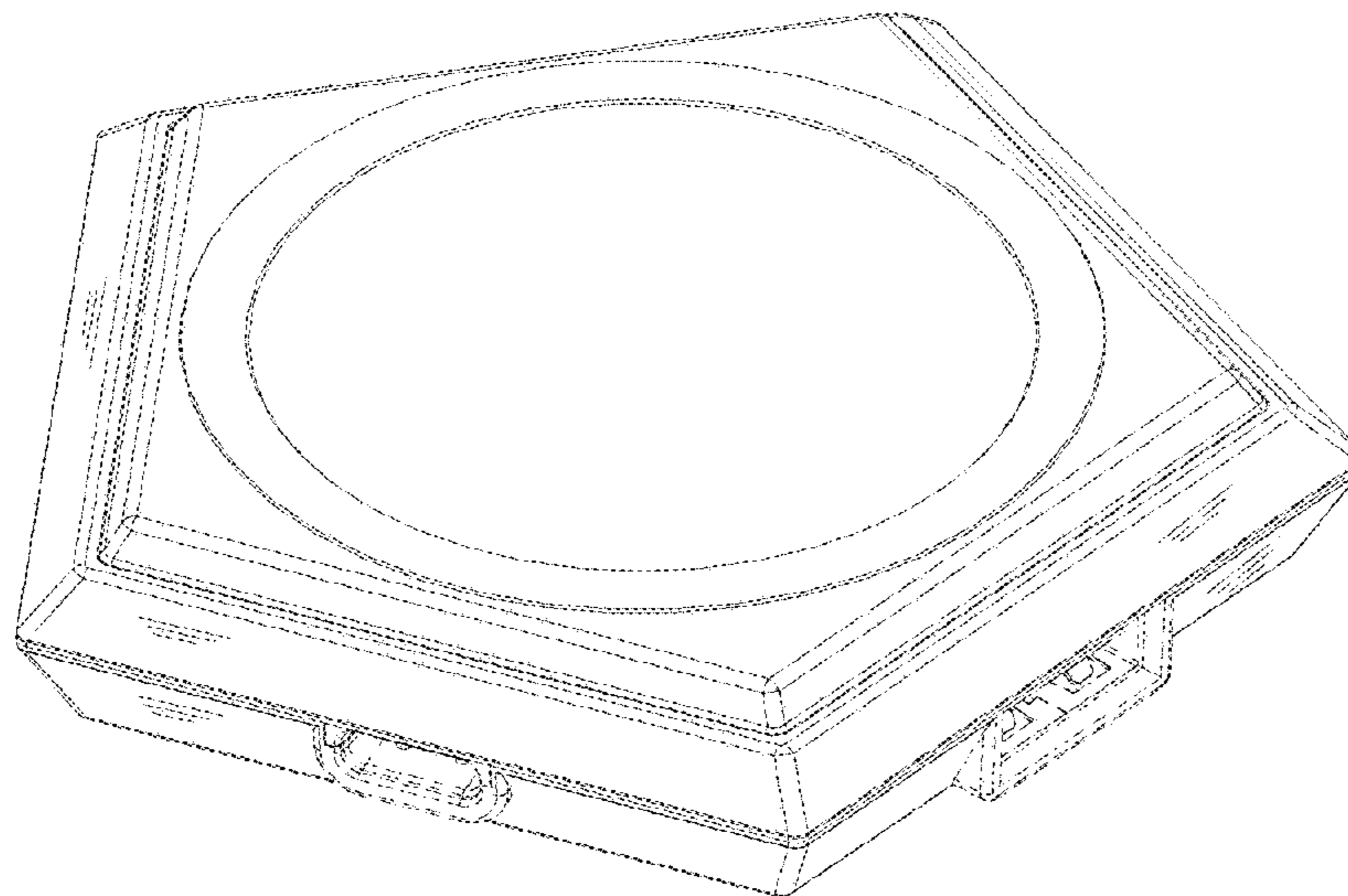
(57) **CLAIM**

The ornamental design for a multi-function wireless charger, as shown and described.

**DESCRIPTION**

FIG. 1 is a front elevational view of a multi-function wireless charger showing our new design; FIG. 2 is a rear elevational view thereof; FIG. 3 is a left side view thereof; FIG. 4 is a right side view thereof; FIG. 5 is a top plan view thereof; FIG. 6 is a bottom plan view thereof; FIG. 7 is a perspective view thereof; and, FIG. 8 is a bottom perspective view thereof. The broken lines in the figures depict portions of the article which form no part of the claimed design.

**1 Claim, 8 Drawing Sheets**



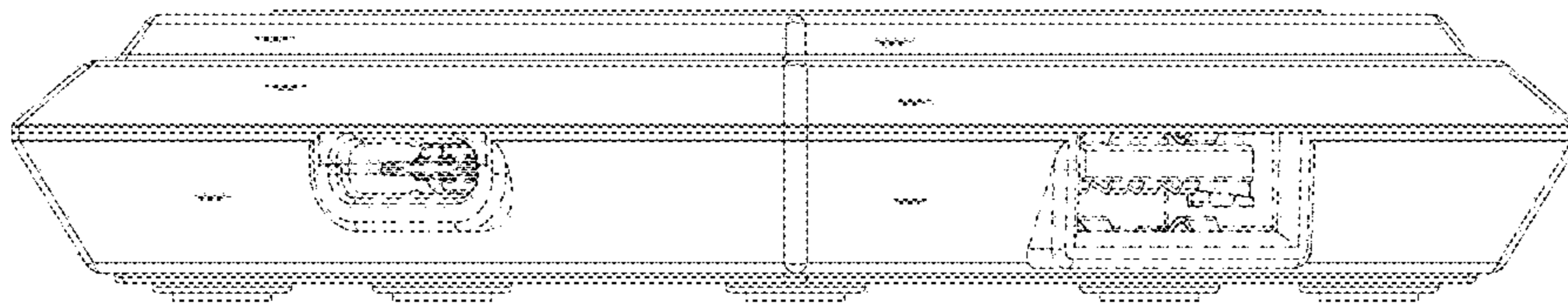


Fig. 1



Fig. 2

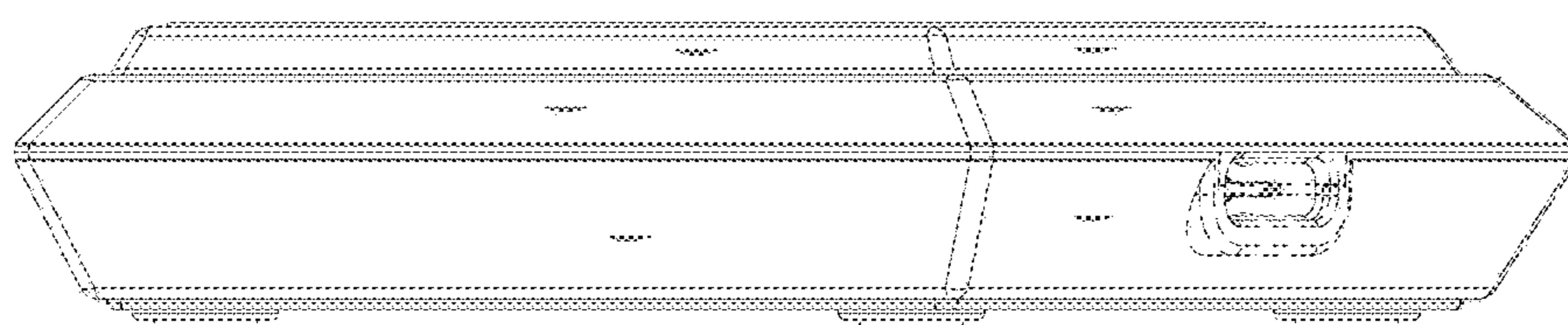


Fig. 3

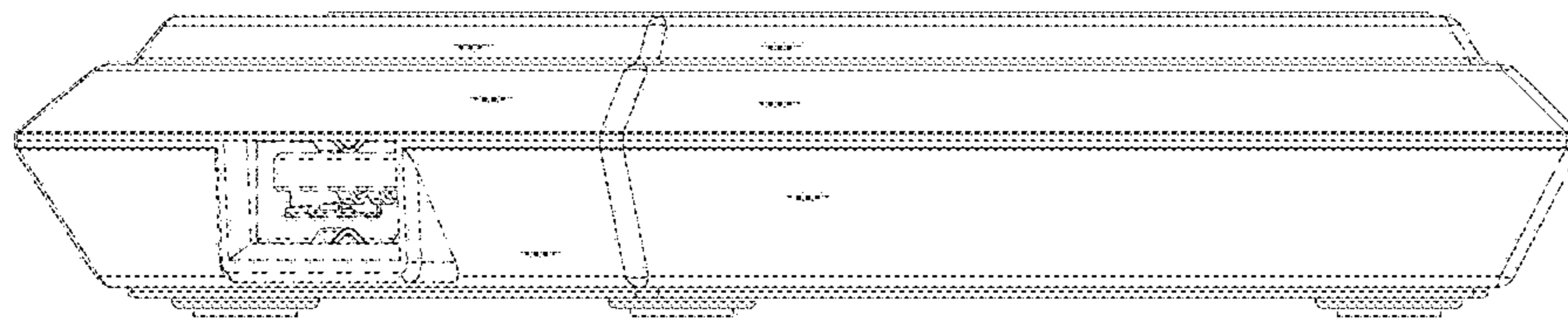


Fig. 4

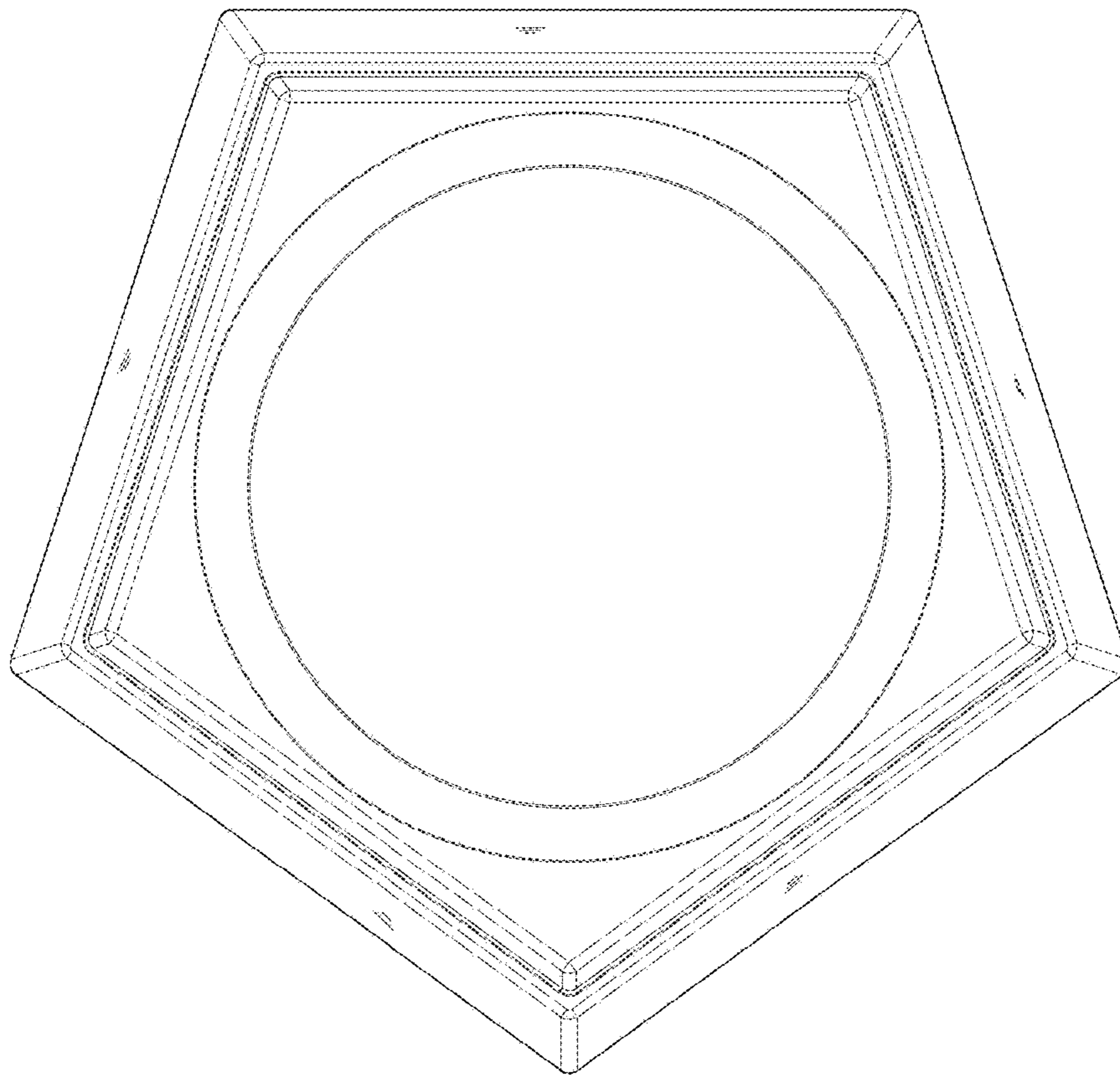


Fig. 5

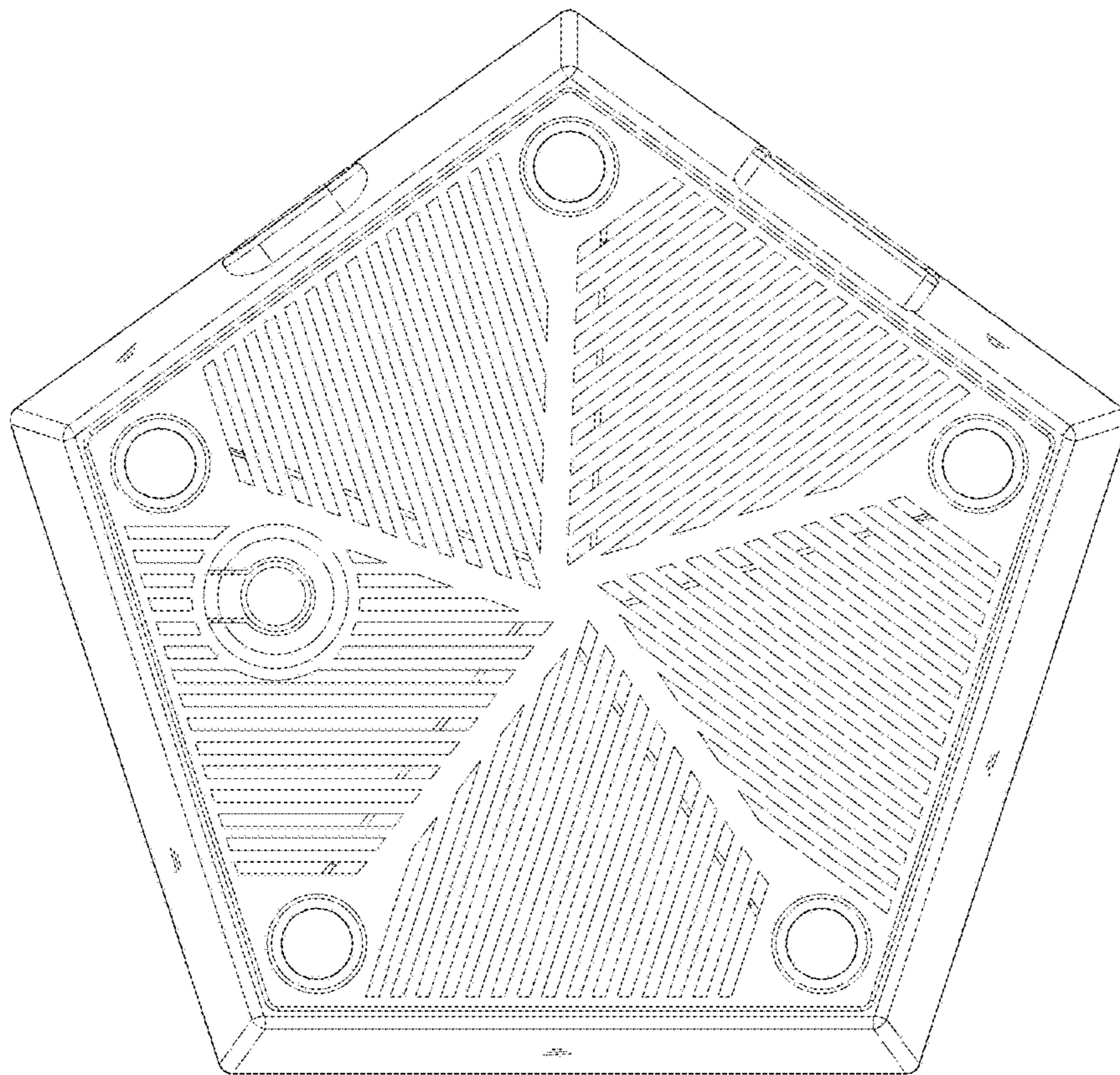


Fig. 6

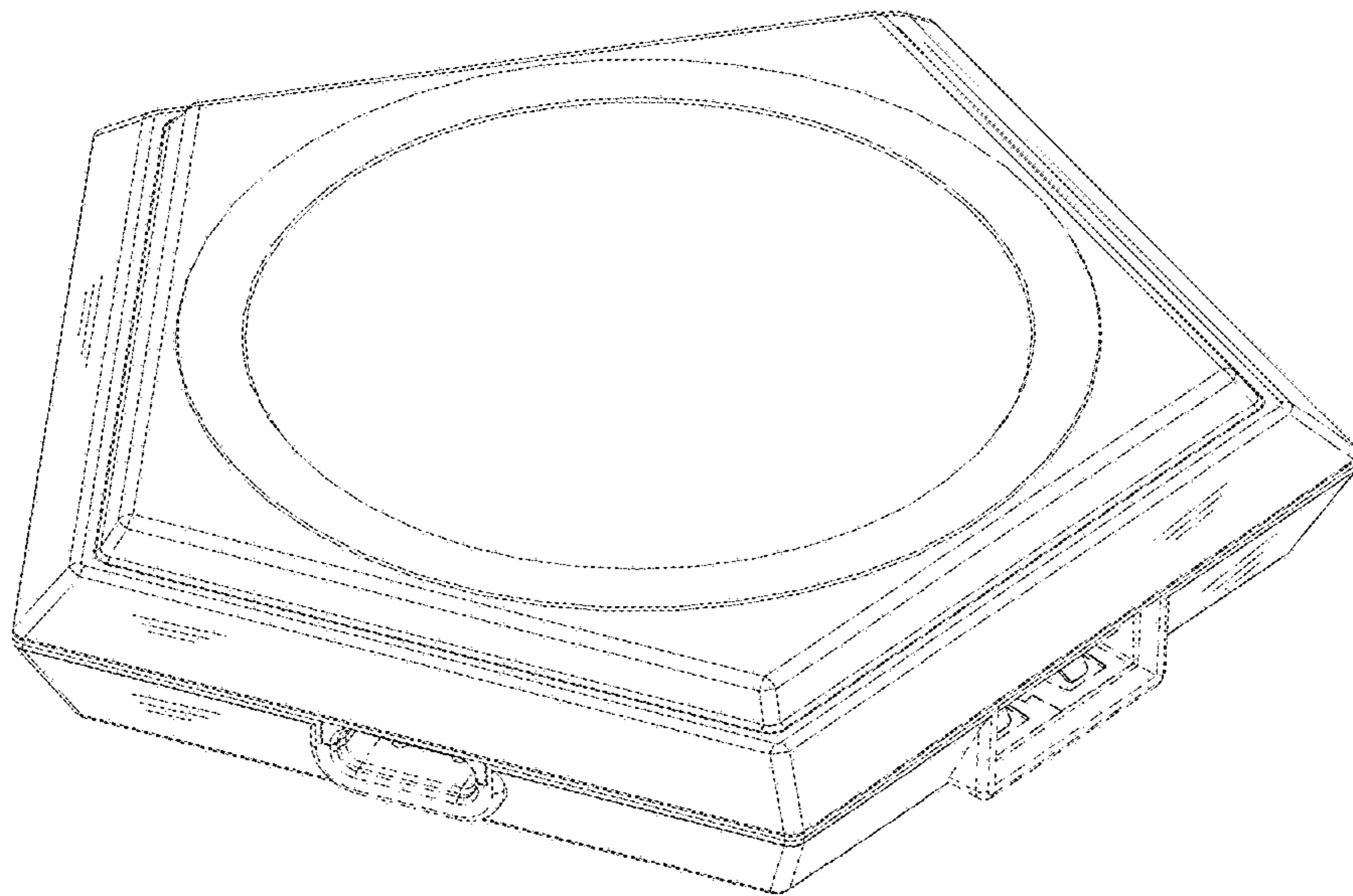


Fig. 7



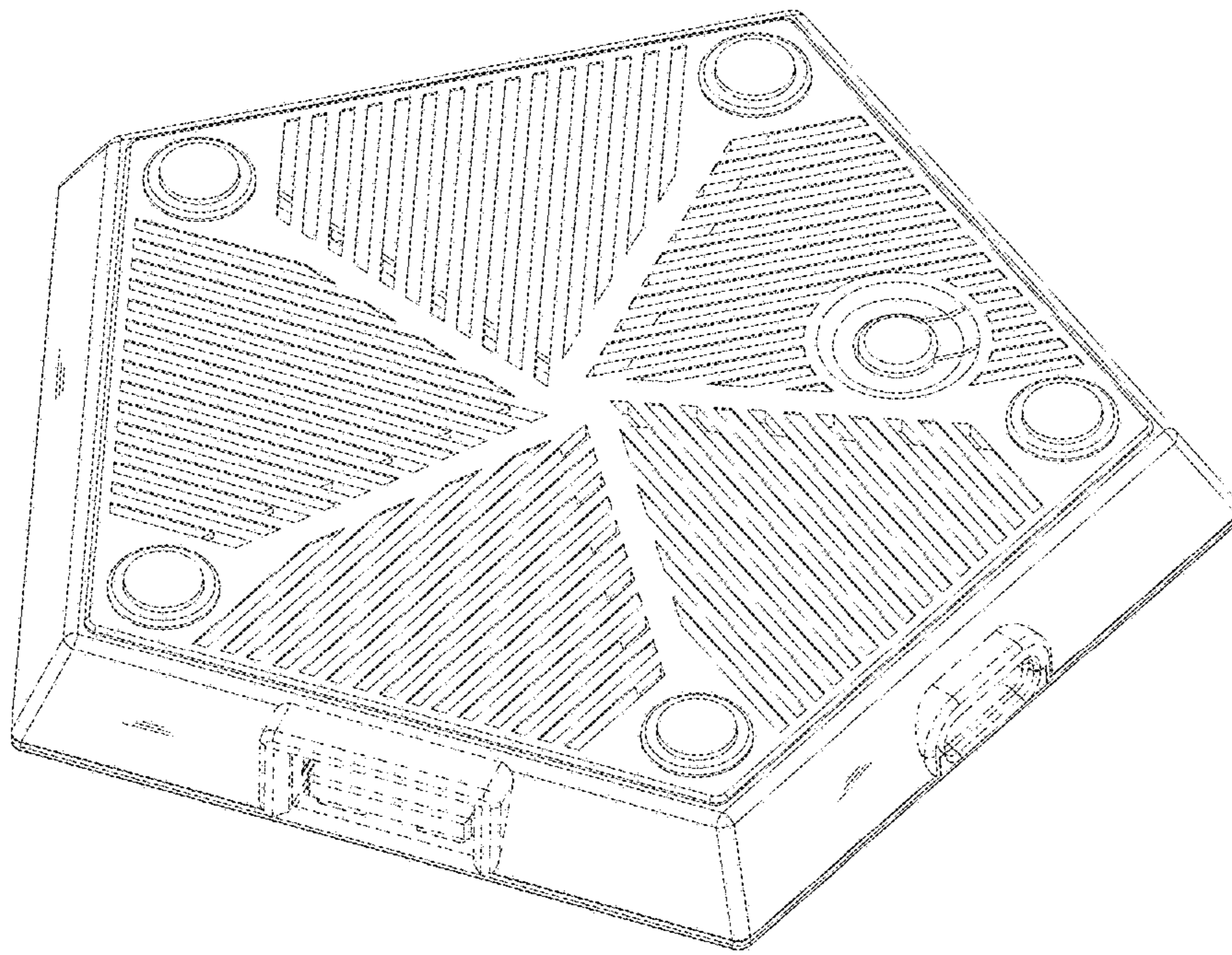


Fig. 8