



US00D866457S

(12) **United States Design Patent**
Liu et al.

(10) **Patent No.:** **US D866,457 S**

(45) **Date of Patent:** **** Nov. 12, 2019**

(54) **AUTOMOBILE JUMP STARTER**

(71) Applicants: **Jun Liu**, Guangdong (CN); **Tianqiang Tu**, Guangdong (CN)

(72) Inventors: **Jun Liu**, Guangdong (CN); **Tianqiang Tu**, Guangdong (CN)

(73) Assignee: **Shenzhen Pulesi Electronic Technology Co., Ltd.**, Shenzhen, Guangdong (CN)

(**) Term: **15 Years**

(21) Appl. No.: **29/597,826**

(22) Filed: **Mar. 21, 2017**

(51) **LOC (12) Cl.** **13-02**

(52) **U.S. Cl.**
USPC **D13/107**

(58) **Field of Classification Search**
USPC D13/118, 119, 184, 102-110, 123, 133,
D13/137.1-137.4, 138.1-138.2,
D13/139.1-139.8, 152-154, 146, 147,
D13/156, 158, 177, 160; D14/251, 253,
D14/432, 434, 433; D15/9; D8/300,
D8/303, 315, 321, 350-353

CPC Y02E 60/12; Y02E 60/122; Y02E 60/124;
Y02E 60/50; Y02T 90/14; Y02T 90/122;
Y02T 90/128; Y02T 90/163; Y02T
10/7005; Y02T 10/705; Y02T 10/7088;
H02J 7/025; H02J 7/0042; H02J 7/0044;
H02J 7/0045; H02J 7/0003; H02J
2001/008; H02J 3/32; H02J 3/008; H02J
7/0027; H02J 7/0013; H02J 7/0054; H02J
7/00; H02J 7/0034; H02J 7/1423; H01F
38/14; H01R 13/6675; H01R 11/00;
H01R 9/00; H01R 25/00; H01R 25/006;
H01M 2/1022; H01M 2/1055; H01M
10/44; H01M 10/46; H01M 10/425;
H01M 10/4257; H01M 10/0436; H01M
10/48; H01M 2/02; H01M 2/022; H01M

2/0202; H01M 2/0207; H01M 2/0212;
H01M 2/1061; H01M 2/1066; H01M
2/105; H01M 2/204; B60L 11/182; B60L
11/1809; B60L 11/1861; B60R 16/03
See application file for complete search history.

(56) **References Cited**

U.S. PATENT DOCUMENTS

D694,180 S *	11/2013	Inskeep	D13/107
D786,192 S *	5/2017	Liu	D13/107
D793,955 S *	8/2017	Yang	D13/107
D806,025 S *	12/2017	Ceravalo	D13/110
D806,027 S *	12/2017	Ceravalo	D13/110

OTHER PUBLICATIONS

Amazon.com: CYCMIA Car Jump Starter 600A Peak. Published May 5, 2017. Retrieved from the internet at <<https://www.amazon.com/Starter-Engines-Portable-Battery-capacity/dp/B071YXB-B8R/>>, Mar. 24, 2018. 1 page. (Year: 2017).*

* cited by examiner

Primary Examiner — Rosemary K Tarcza
Assistant Examiner — Christy M Nemeth

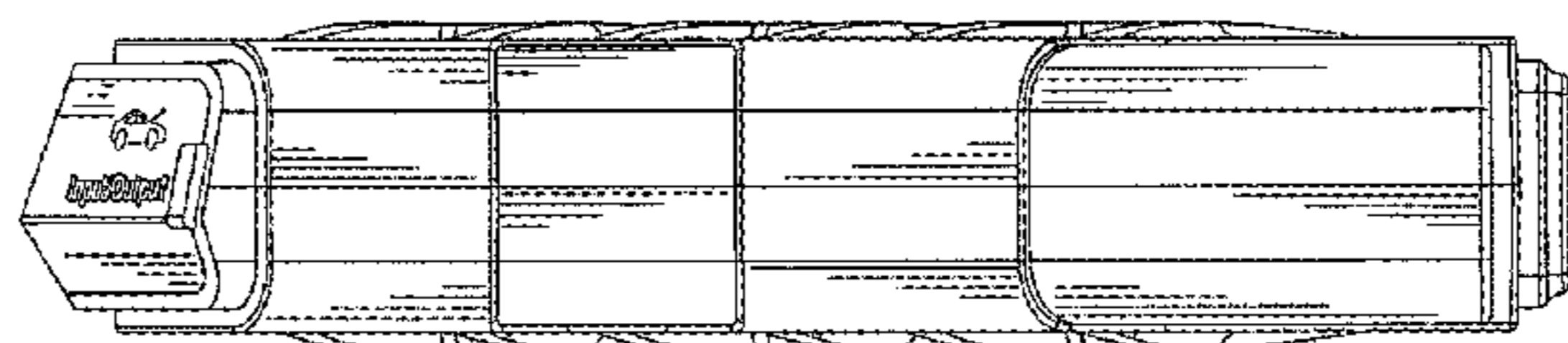
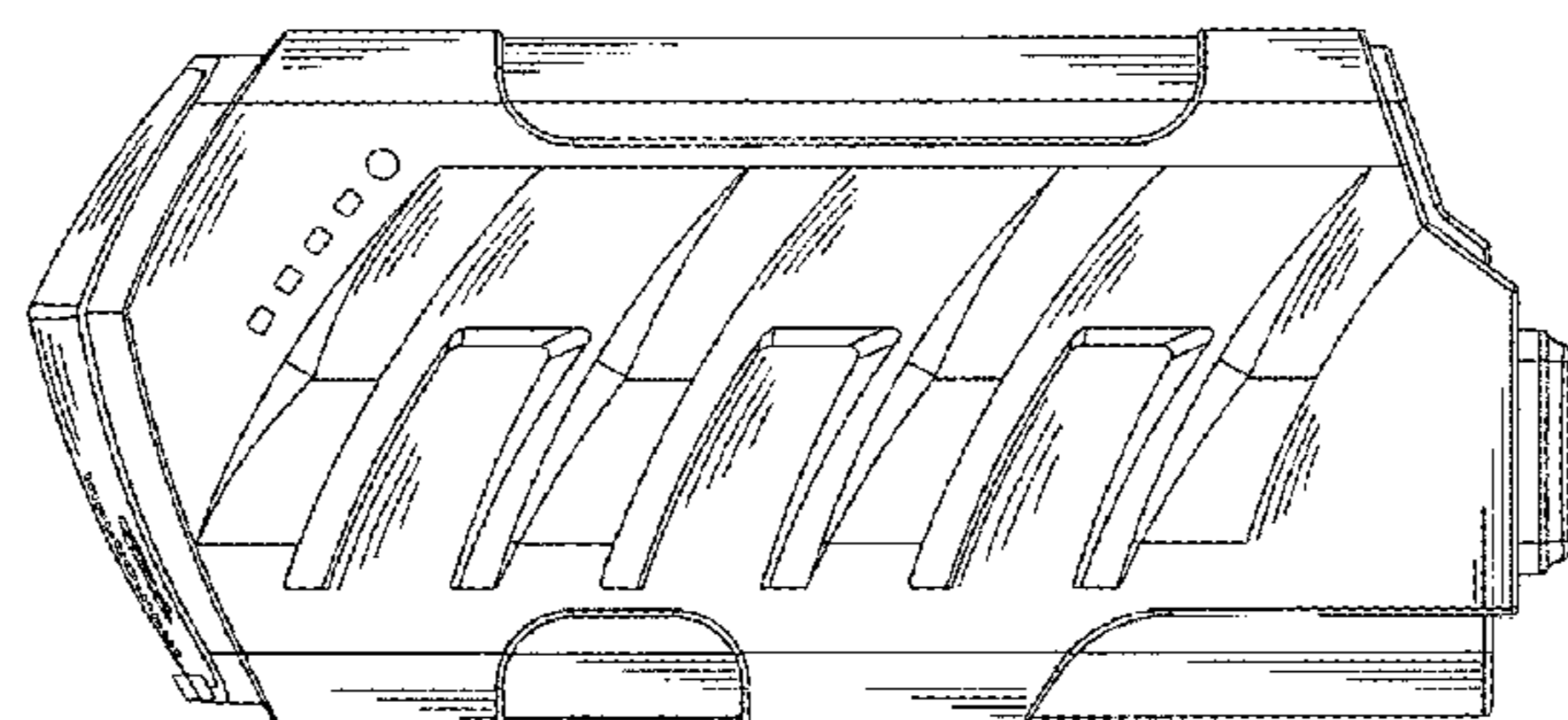
(57) **CLAIM**

The ornamental design for an automobile jump starter, as shown and described.

DESCRIPTION

FIG. 1 is a front elevation view of an automobile jump starter of our new design;
FIG. 2 is a back elevation view thereof;
FIG. 3 is a left elevation view thereof;
FIG. 4 is a right elevation view thereof;
FIG. 5 is a top plan view thereof; and,
FIG. 6 is a bottom plan view thereof.

1 Claim, 6 Drawing Sheets



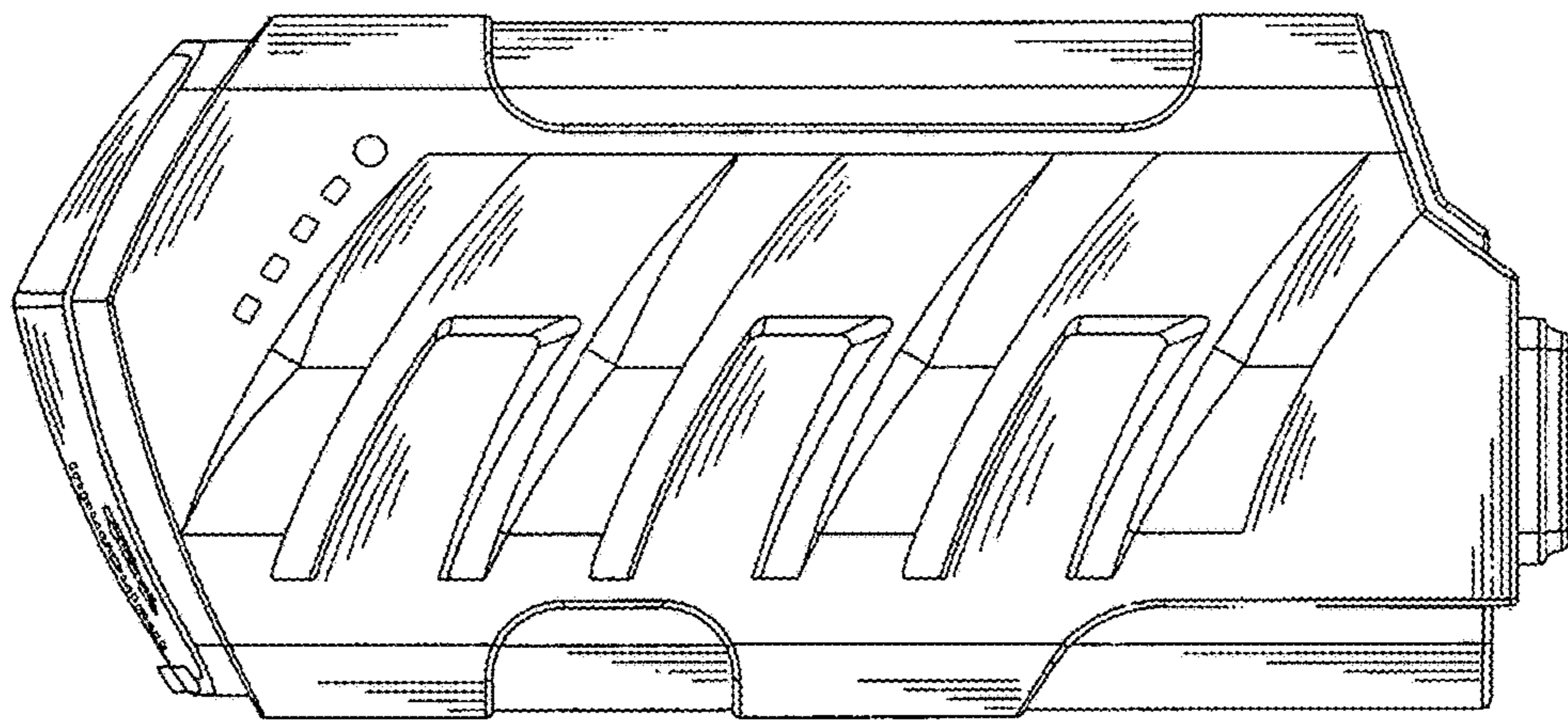


FIG.1

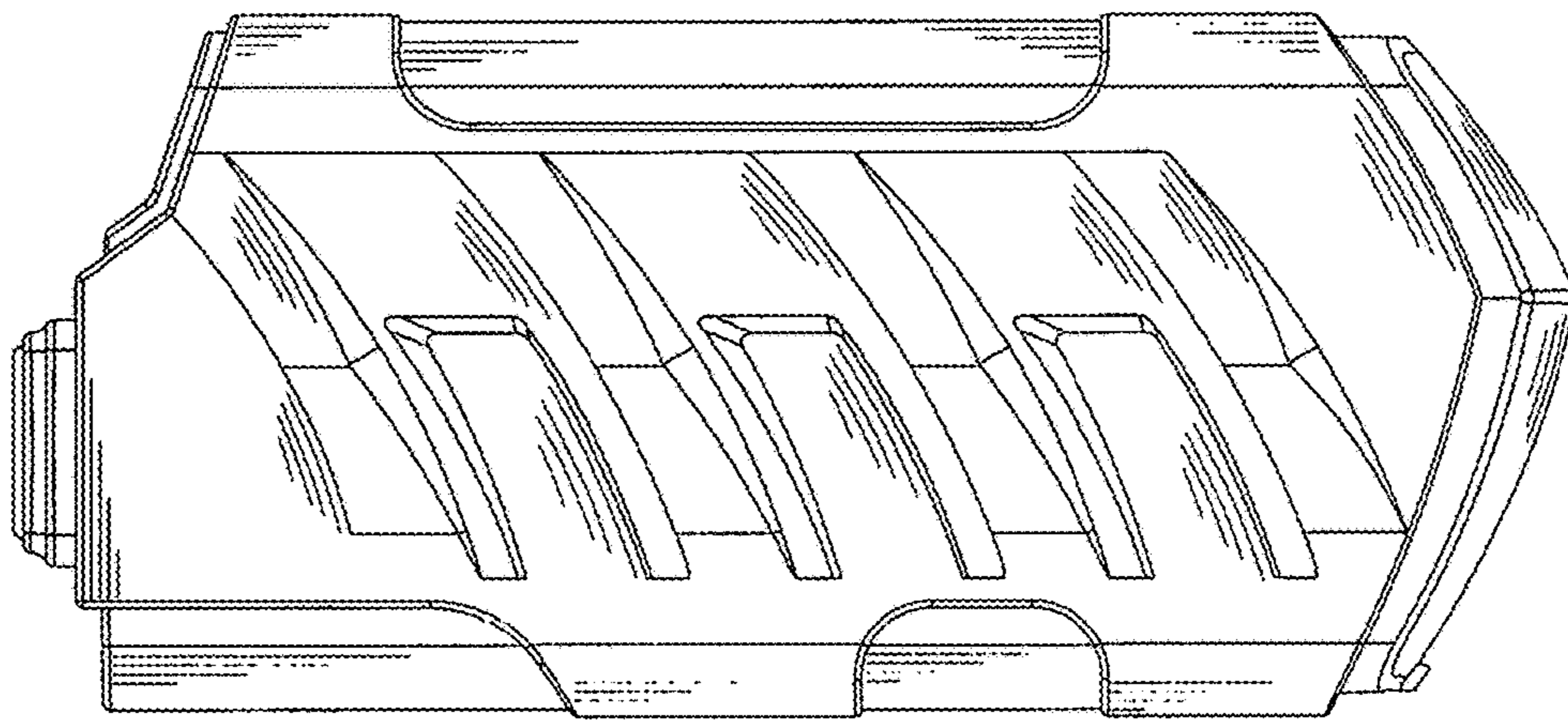


FIG.2

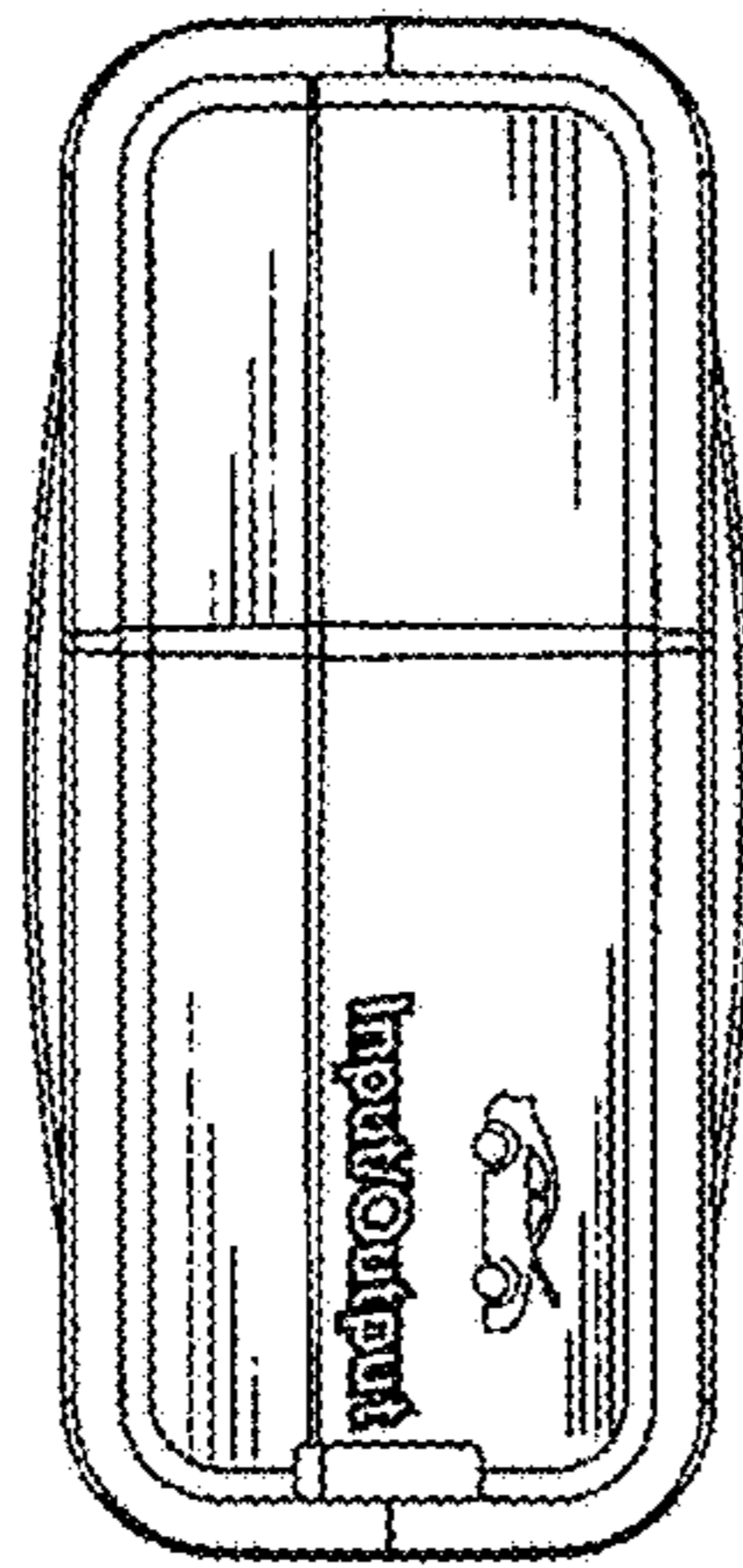


FIG.3

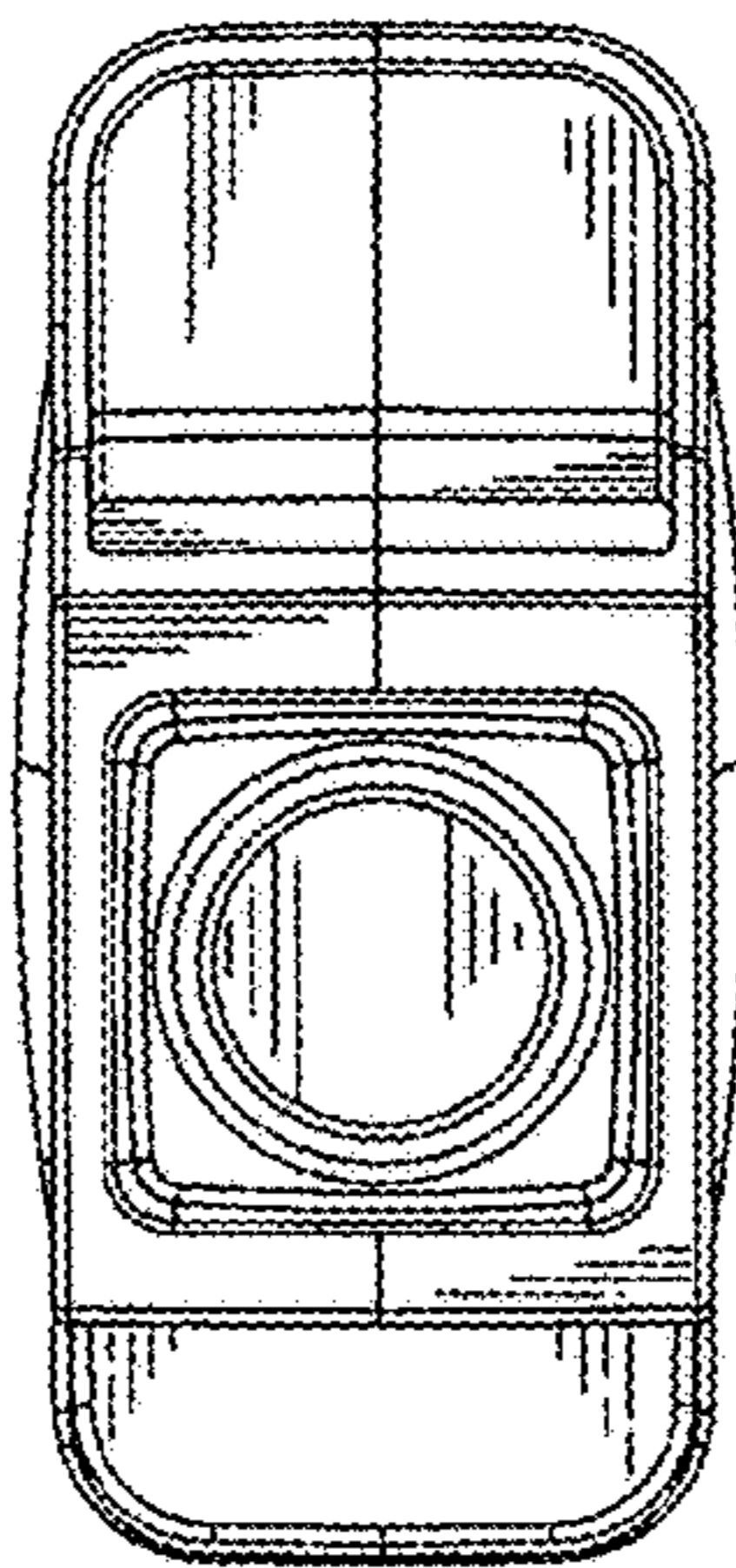


FIG.4

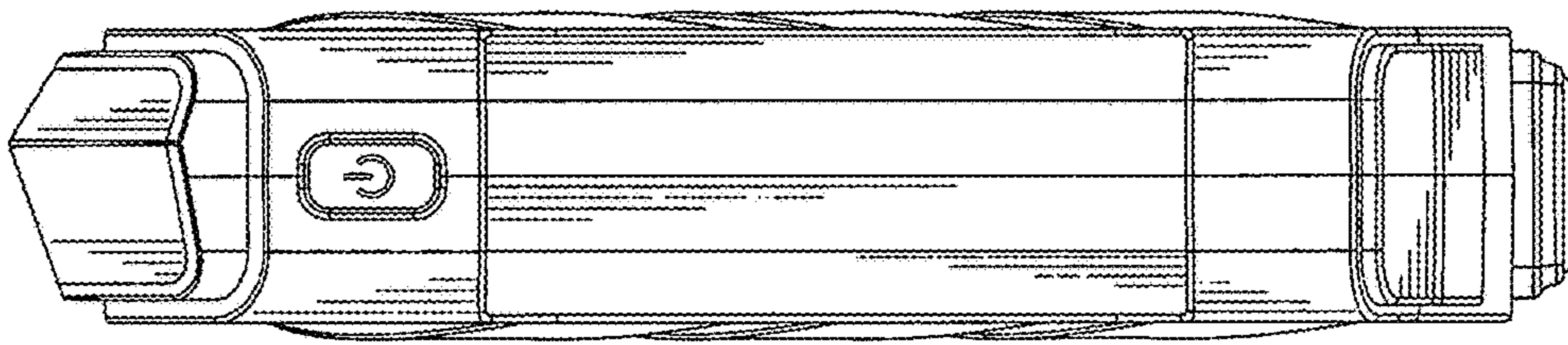


FIG.5

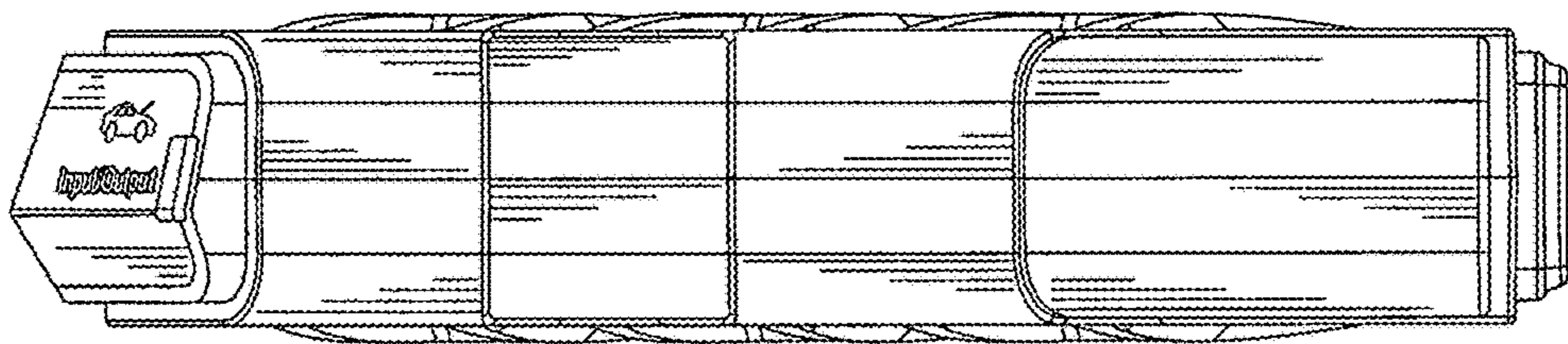


FIG.6