



US00D866451S

(12) **United States Design Patent**  
**Kuwano**

(10) **Patent No.:** **US D866,451 S**

(45) **Date of Patent:** **\*\* Nov. 12, 2019**

(54) **TIRE**  
(71) Applicant: **TOYO TIRE & RUBBER CO., LTD.**,  
Itami-shi, Hyogo (JP)

D504,390 S \* 4/2005 Kindig ..... D12/594  
D735,645 S 8/2015 Drake  
D813,796 S \* 3/2018 Dixon ..... D12/588  
D818,426 S \* 5/2018 Kuwano ..... D12/600  
D838,234 S \* 1/2019 Takahashi ..... D12/600

(72) Inventor: **Shingo Kuwano**, Itami (JP)  
(73) Assignee: **TOYO TIRE & RUBBER CO., LTD.**,  
Itami-shi (JP)

\* cited by examiner

(\*\*) Term: **15 Years**

*Primary Examiner* — Robert M. Spear  
(74) *Attorney, Agent, or Firm* — Sterne, Kessler,  
Goldstein & Fox P.L.L.C.

(21) Appl. No.: **29/639,854**

(57) **CLAIM**

(22) Filed: **Mar. 9, 2018**

The ornamental design for a tire, as shown and described.

(30) **Foreign Application Priority Data**

**DESCRIPTION**

Sep. 15, 2017 (JP) ..... 2017-020265

(51) **LOC (12) Cl.** ..... **12-15**

(52) **U.S. Cl.**  
USPC ..... **D12/527**; D12/594

(58) **Field of Classification Search**  
USPC ..... D12/527, 531, 532, 588, 594, 595, 600,  
D12/601

CPC ..... B60C 11/0306; B60C 11/04  
See application file for complete search history.

FIG. 1 is a front perspective view of a tire showing the claimed design;  
FIG. 2 is a front view thereof;  
FIG. 3 is a rear view thereof;  
FIG. 4 is a top plan view thereof, the bottom plan view being the same;  
FIG. 5 is a right side view thereof;  
FIG. 6 is a left side view thereof;  
FIG. 7 is an enlarged view taken along line 7-7 in FIG. 1;  
FIG. 8 is an enlarged view of the portion 8-8 in FIG. 2; and,  
FIG. 9 is a cross-sectional view taken along line 9-9 in FIG. 8.

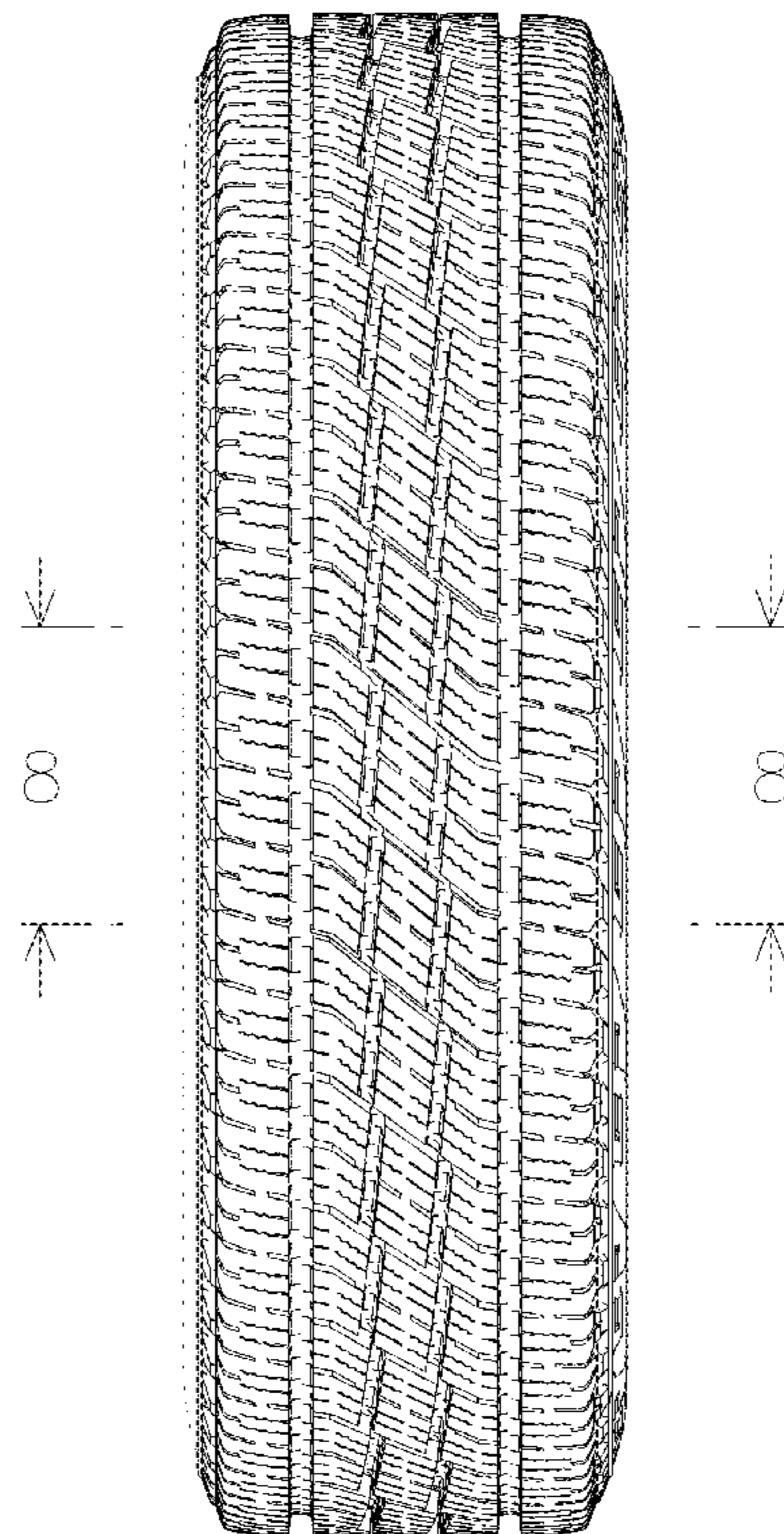
(56) **References Cited**

**U.S. PATENT DOCUMENTS**

D364,134 S \* 11/1995 Himuro ..... D12/595  
D497,591 S 10/2004 Miyazaki et al.

In the drawings, the broken lines show portions of the tire that form no part of the claimed design.

**1 Claim, 9 Drawing Sheets**



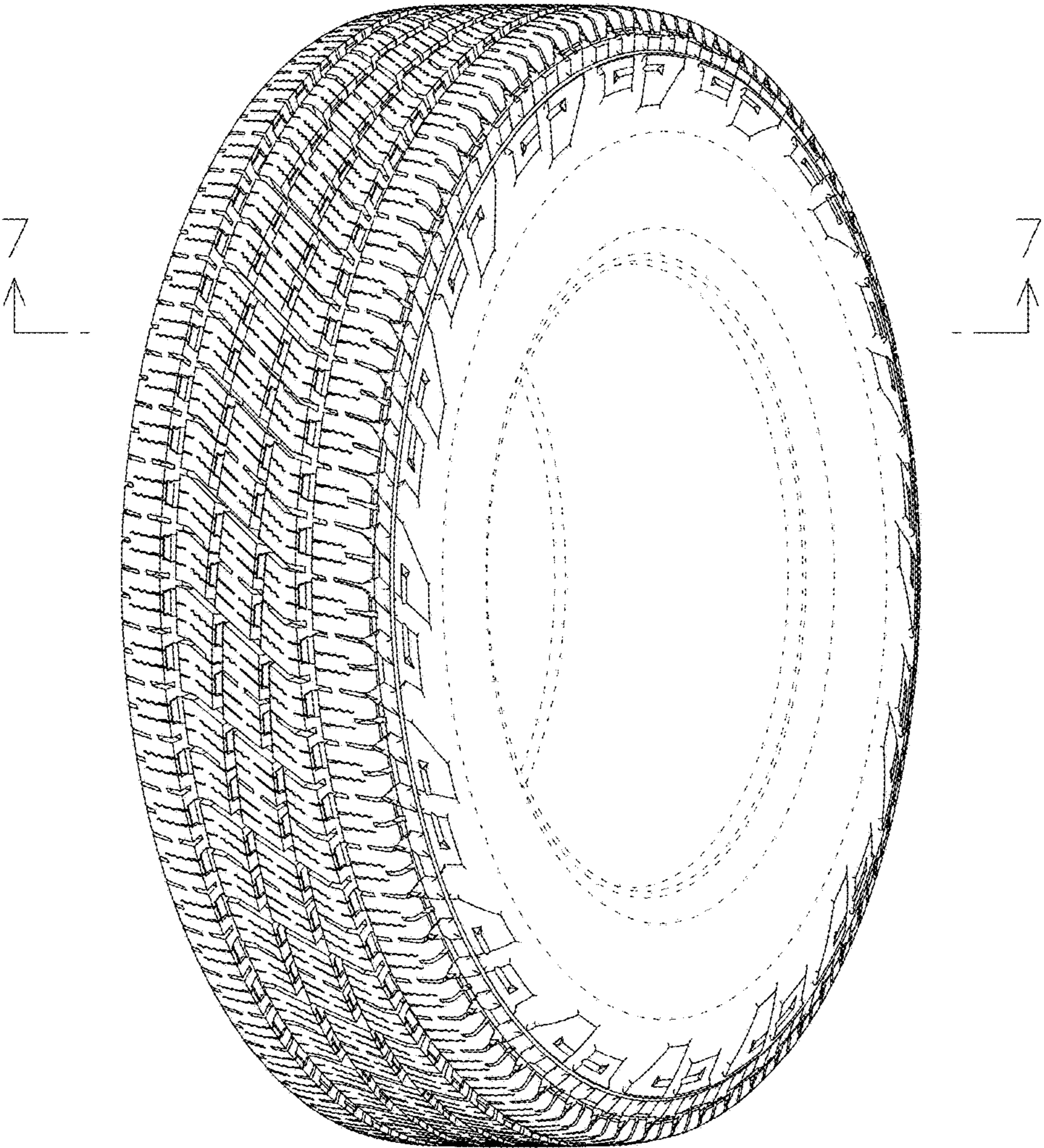


FIG. 1

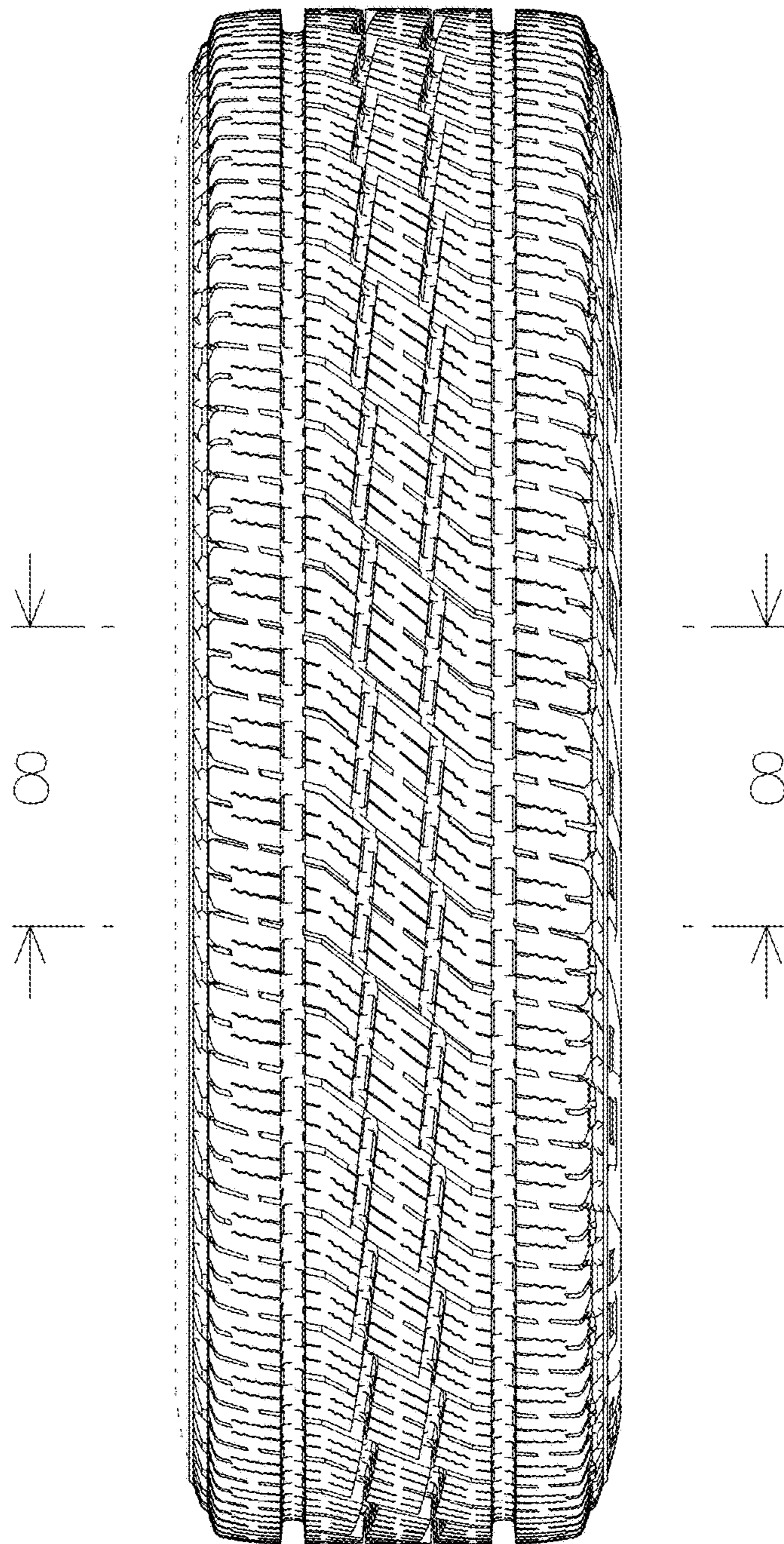


FIG. 2

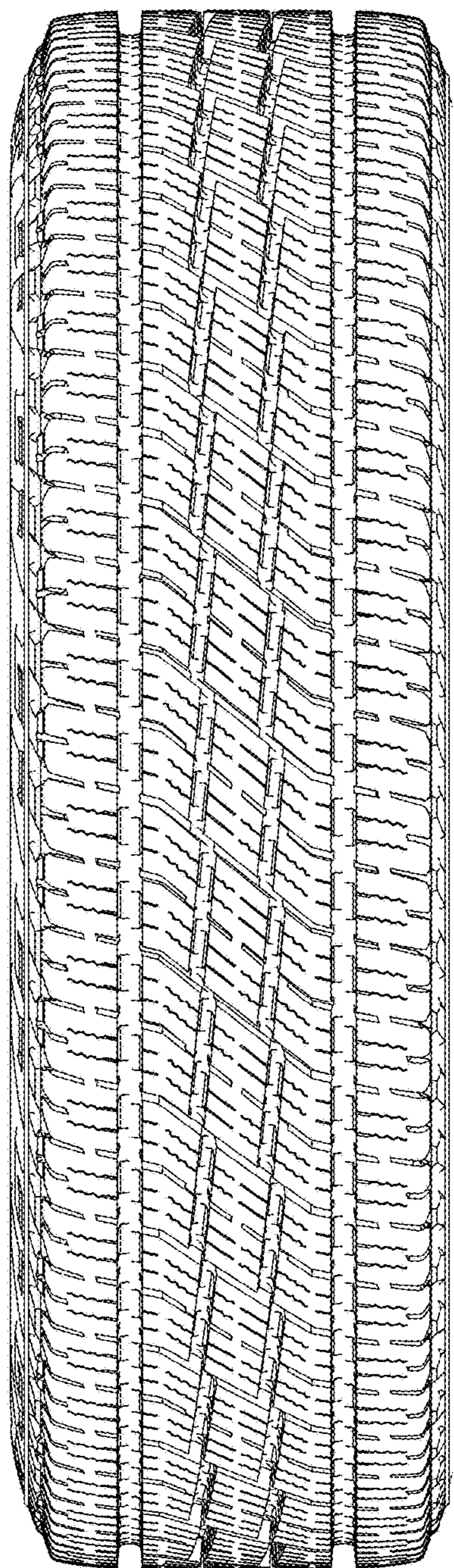


FIG. 3

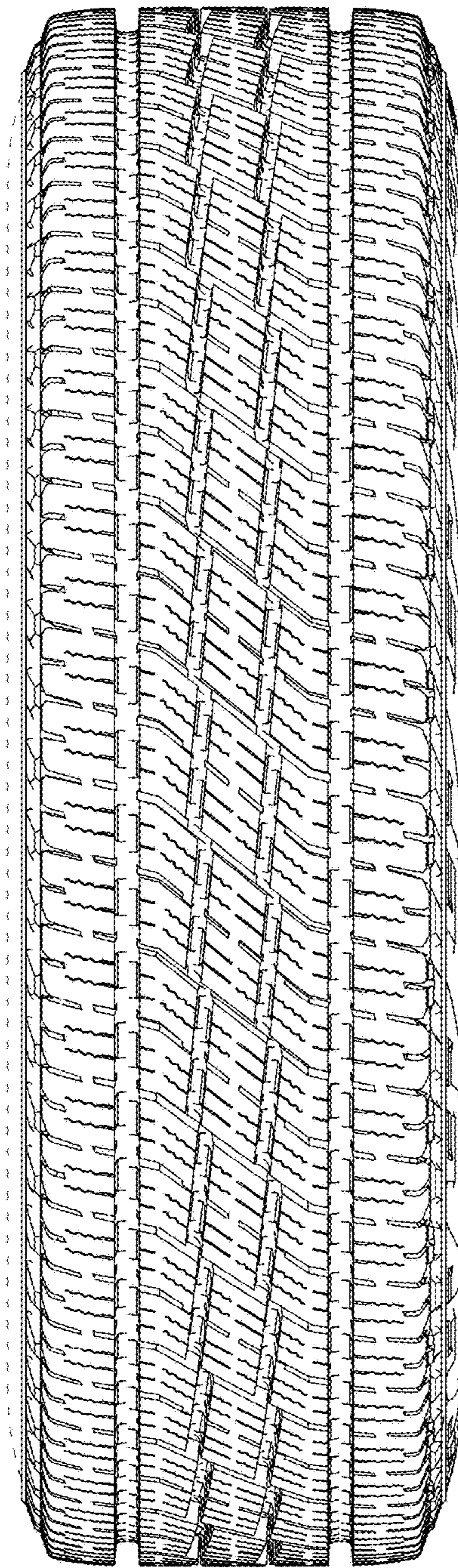


FIG. 4

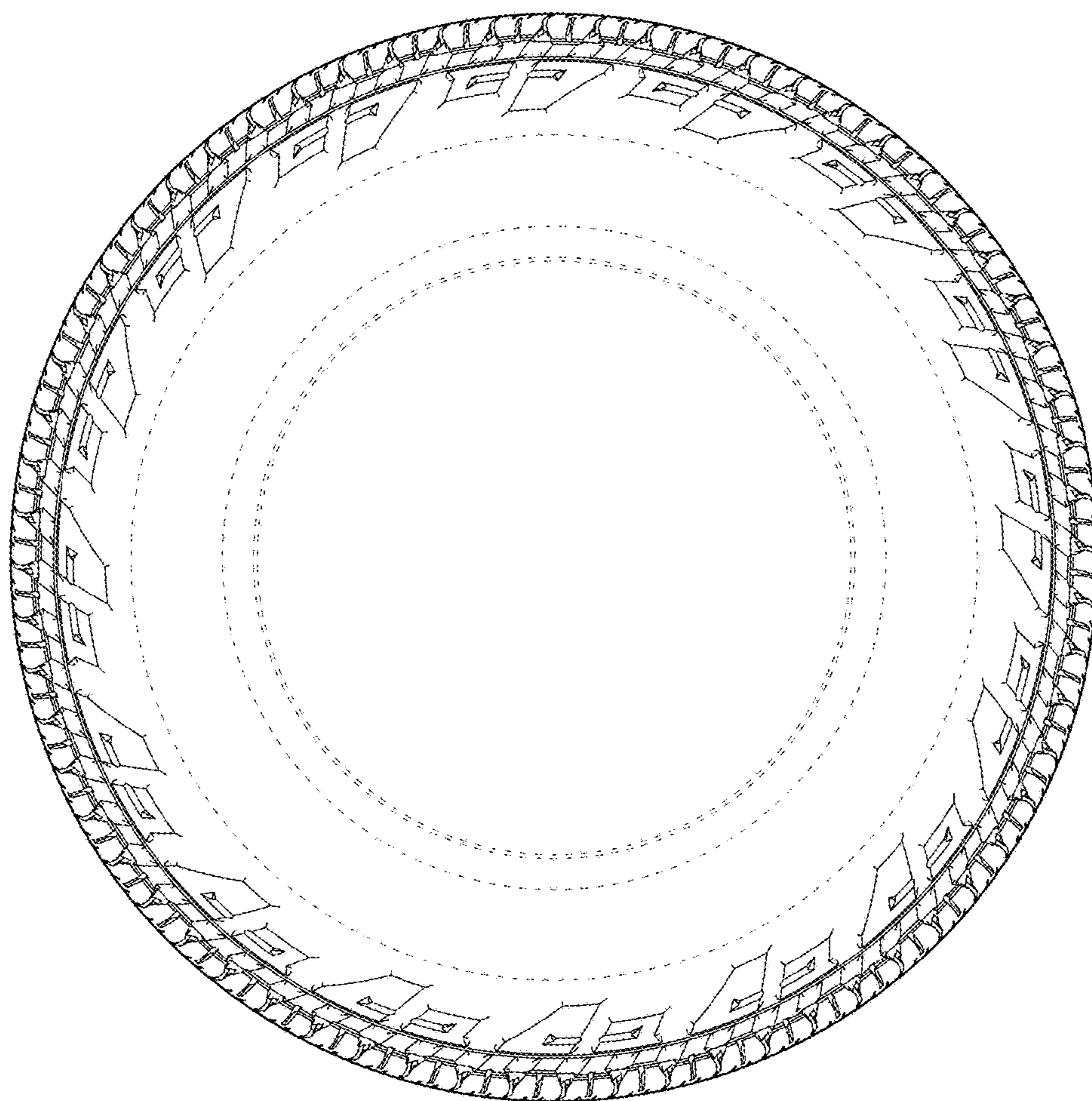


FIG. 5

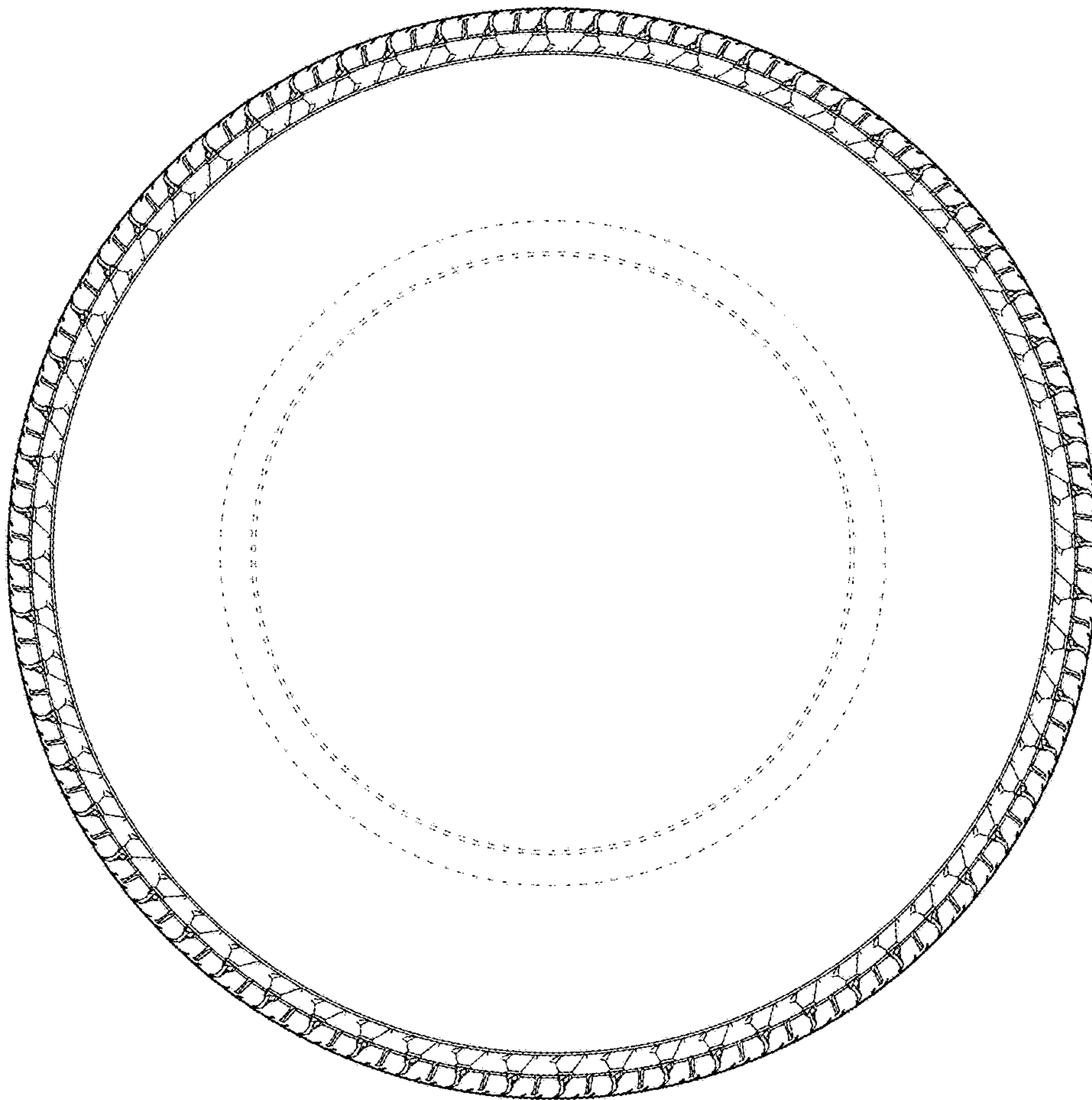


FIG. 6

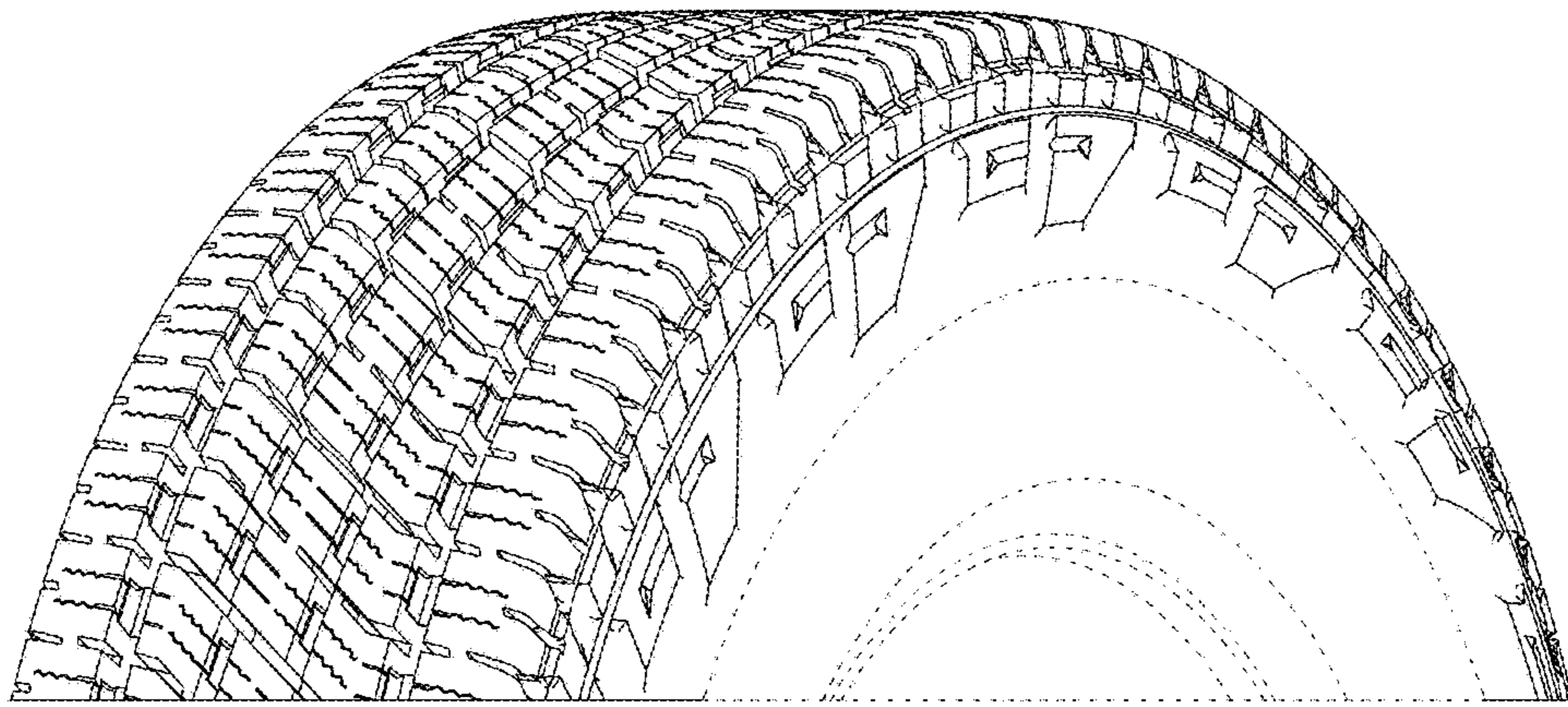


FIG. 7



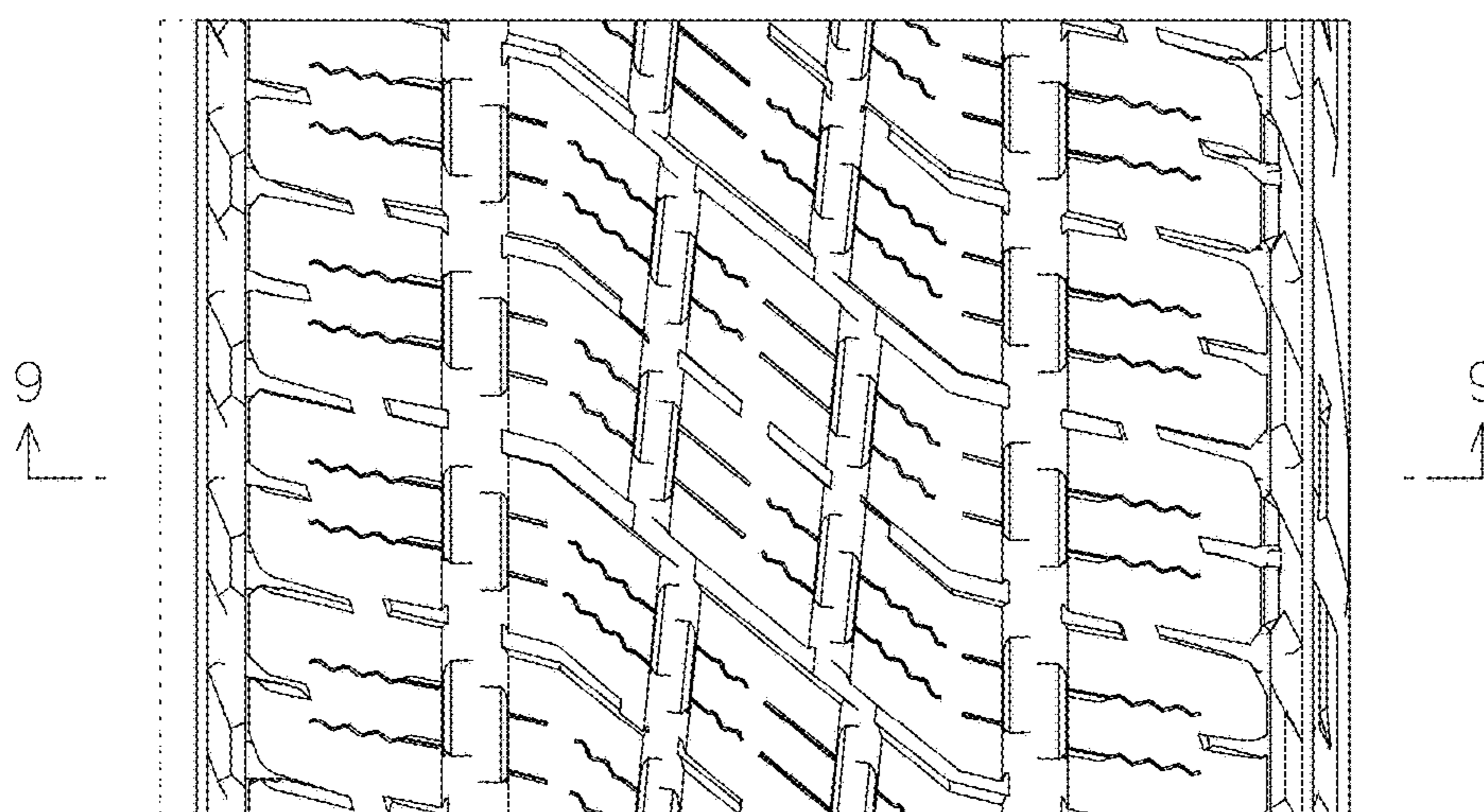


FIG. 8

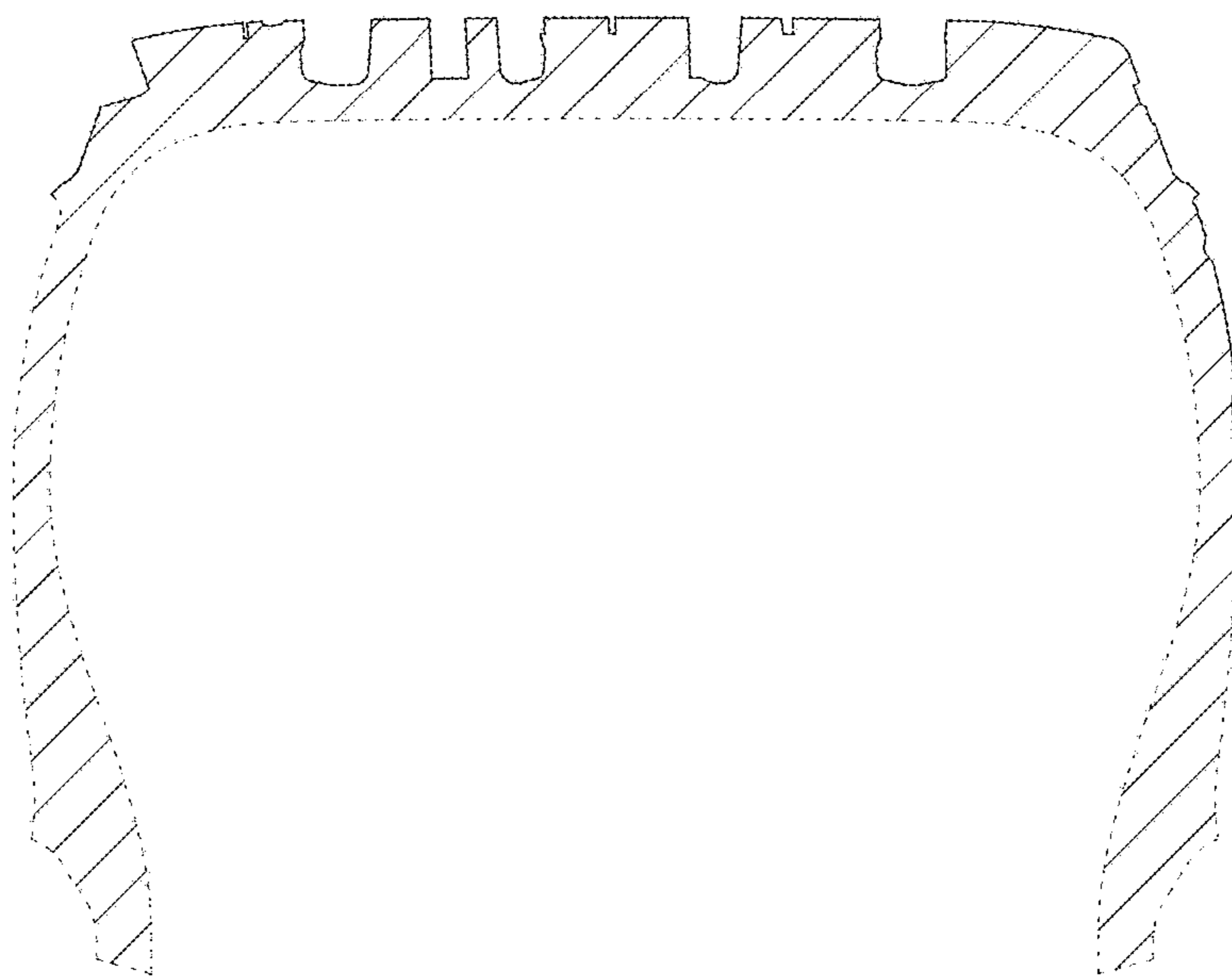


FIG. 9