



US00D866449S

(12) **United States Design Patent** (10) **Patent No.:** **US D866,449 S**  
**Walker** (45) **Date of Patent:** **\*\* Nov. 12, 2019**

(54) **RACK STRUCTURE FOR A UTILITY VEHICLE**

D445,757 S \* 7/2001 Adams ..... D12/406  
D477,562 S \* 7/2003 McCoy ..... D12/406  
7,004,365 B2 \* 2/2006 Ingram ..... B60R 7/14  
220/23.91  
7,090,275 B2 \* 8/2006 Pero ..... B60P 1/003  
296/26.09  
D528,497 S \* 9/2006 Ezra ..... D12/406  
D537,404 S \* 2/2007 Bauer ..... D12/412  
D540,736 S \* 4/2007 Harris ..... D12/412

(71) Applicant: **QUACK RACK LLC**, Friendswood, TX (US)

(72) Inventor: **Garrett Walker**, Friendswood, TX (US)

(73) Assignee: **QUACK RACK LLC**, Friendswood, TX (US)

(\*\*) Term: **15 Years**

(21) Appl. No.: **29/637,910**

(22) Filed: **Feb. 22, 2018**

**Related U.S. Application Data**

(62) Division of application No. 29/560,420, filed on Apr. 6, 2016, now Pat. No. Des. 814,389.

(51) **LOC (12) Cl.** ..... **12-16**

(52) **U.S. Cl.**  
USPC ..... **D12/412**

(58) **Field of Classification Search**  
USPC ..... D12/412-414, 414.1, 406; D6/552;  
D3/304-306; 224/405, 403, 331  
CPC ..... B60R 9/04; B60R 9/045; B60R 9/048  
See application file for complete search history.

(56) **References Cited**

**U.S. PATENT DOCUMENTS**

1,079,205 A \* 11/1913 Beebe ..... B60J 7/085  
296/98  
4,267,948 A \* 5/1981 Lewis ..... B60R 9/00  
211/191  
D312,162 S \* 11/1990 Bolden ..... D34/25  
5,806,905 A \* 9/1998 Moore ..... B60R 9/00  
296/3  
D435,510 S \* 12/2000 Quidort ..... D12/412

**FOREIGN PATENT DOCUMENTS**

CN 105083091 \* 11/2015 ..... B60N 3/10  
CN 106376208 \* 2/2017 ..... B64C 1/00

**OTHER PUBLICATIONS**

Elite Series Rear Rack, QuackRack.com, [online], [site visited Mar. 20, 2019]. <URL: <https://quackrack.com/product/elite-series-rear-rack/>> (Year: 2019).\*

(Continued)

*Primary Examiner* — T Chase Nelson  
*Assistant Examiner* — Jonathan J. Han

(57) **CLAIM**

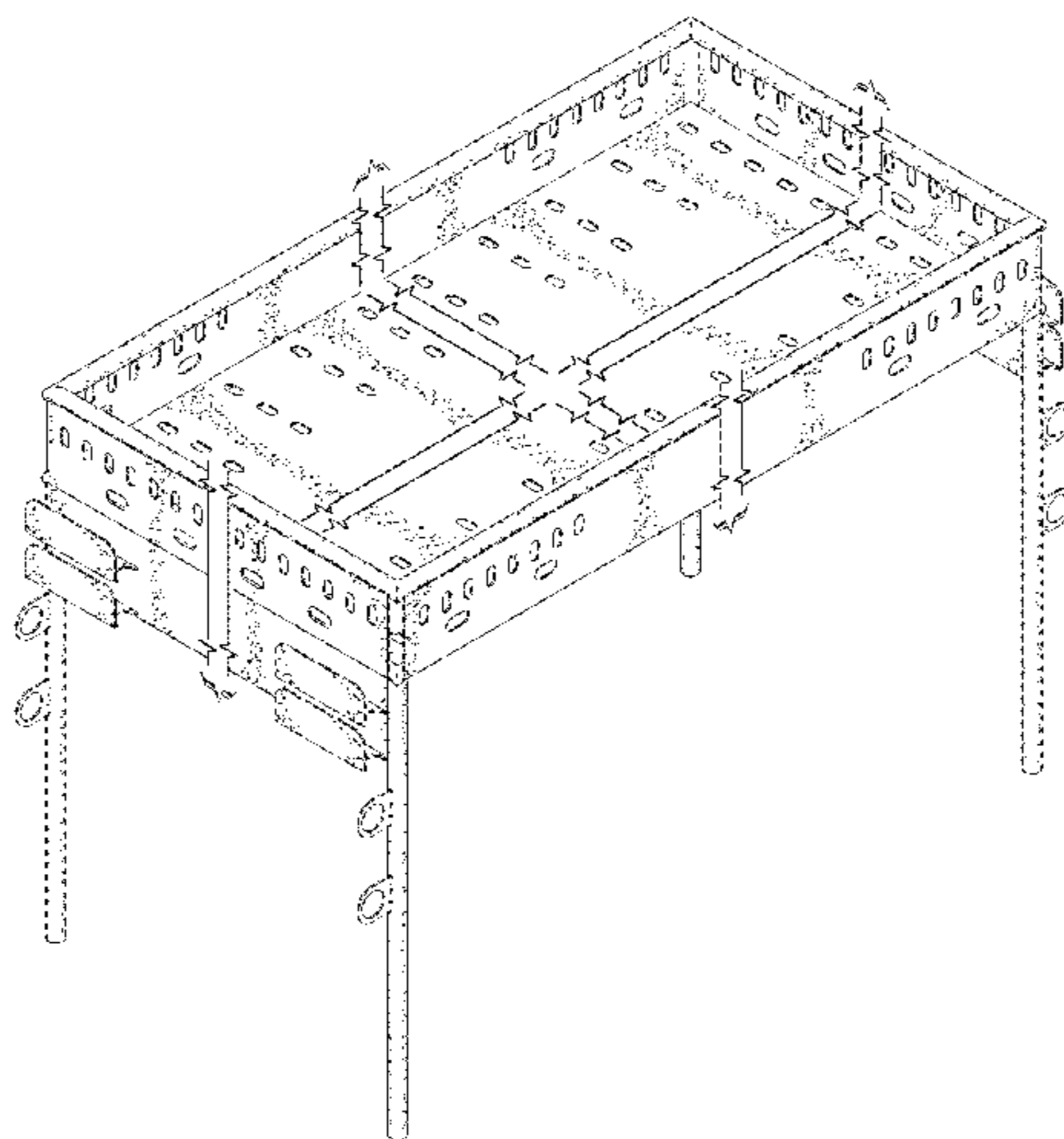
I claim the ornamental design for a rack structure for a utility vehicle, as shown and described.

**DESCRIPTION**

FIG. 1 is a front perspective view of a rack structure for a utility vehicle showing the unique design;  
FIG. 2 is a front view thereof;  
FIG. 3 is a side view thereof; and,  
FIG. 4 is a top view thereof.

The claimed design for the rack structure for a utility vehicle is directed to the portions shown in FIGS. 1-4 and any portions not shown between break lines form no part of the claimed design.

**1 Claim, 4 Drawing Sheets**



(56)

References Cited

U.S. PATENT DOCUMENTS

7,232,172 B2 \* 6/2007 Kiester ..... B60P 3/40  
296/26.08  
D547,752 S 7/2007 Lee  
D593,927 S \* 6/2009 Walton ..... D12/406  
7,654,603 B2 \* 2/2010 Kealy ..... B60J 7/1614  
296/100.02  
D624,005 S 9/2010 Winner  
D636,962 S \* 4/2011 Freimuth ..... D34/21  
D638,333 S 5/2011 Freeman  
7,959,200 B2 \* 6/2011 Voglmayr ..... B60P 3/40  
296/100.05  
8,007,024 B2 \* 8/2011 Kealy ..... B60J 7/1614  
296/100.02  
D657,110 S \* 4/2012 Schlomann ..... D34/21  
D670,639 S 11/2012 Hanks  
D695,675 S \* 12/2013 Voglmayr ..... D12/414  
8,622,266 B2 \* 1/2014 McMillan ..... B60R 3/007  
224/323  
D707,447 S \* 6/2014 Eriksson ..... D3/304  
D707,618 S \* 6/2014 Voglmayr ..... D12/414.1  
D763,532 S \* 8/2016 Huang ..... D34/12  
9,421,921 B2 \* 8/2016 Manlick ..... B60R 13/01  
D765,577 S 9/2016 Kmita  
D772,782 S 11/2016 Johnson

D772,783 S 11/2016 Schleef  
D777,399 S \* 1/2017 Adriani ..... D34/32  
D793,946 S 8/2017 Badillo  
D793,947 S \* 8/2017 Badillo ..... D12/412  
D814,389 S \* 4/2018 Walker ..... D12/412  
D836,878 S \* 12/2018 Adriani ..... D34/32  
2005/0092796 A1 5/2005 Essig  
2005/0095102 A1 5/2005 Watson  
2006/0163296 A1 \* 7/2006 McMillan ..... B60R 9/05  
224/319  
2008/0169322 A1 \* 7/2008 McMillan ..... B60R 9/055  
224/328

OTHER PUBLICATIONS

West Coast Cacklers via @scottsprecher, Facebook.com/  
quackrack/, Nov. 24, 2018, [online], [site visited Mar. 20, 2019].  
<URL: <https://www.facebook.com/quackrack/>> (Year: 2018).\*  
ARB Roof Rack for Toyota FJ Cruiser, Fjfan.com, [online], [site  
visited Mar. 20, 2019]. <URL: [http://www.fjfan.com/products/  
ARB Roof Rack.php](http://www.fjfan.com/products/ARB Roof Rack.php)> (Year: 2019).\*  
Heps Designs 05+ Xterra Roof Rack, XterraPerformance.com,  
[online], [site visited Mar. 20, 2019]. <URL: [http://xtterraperformance.  
com/Heps-Designs-05-Xterra-Roof-Rack\\_p\\_8.html](http://xtterraperformance.com/Heps-Designs-05-Xterra-Roof-Rack_p_8.html)> (Year: 2019).\*

\* cited by examiner

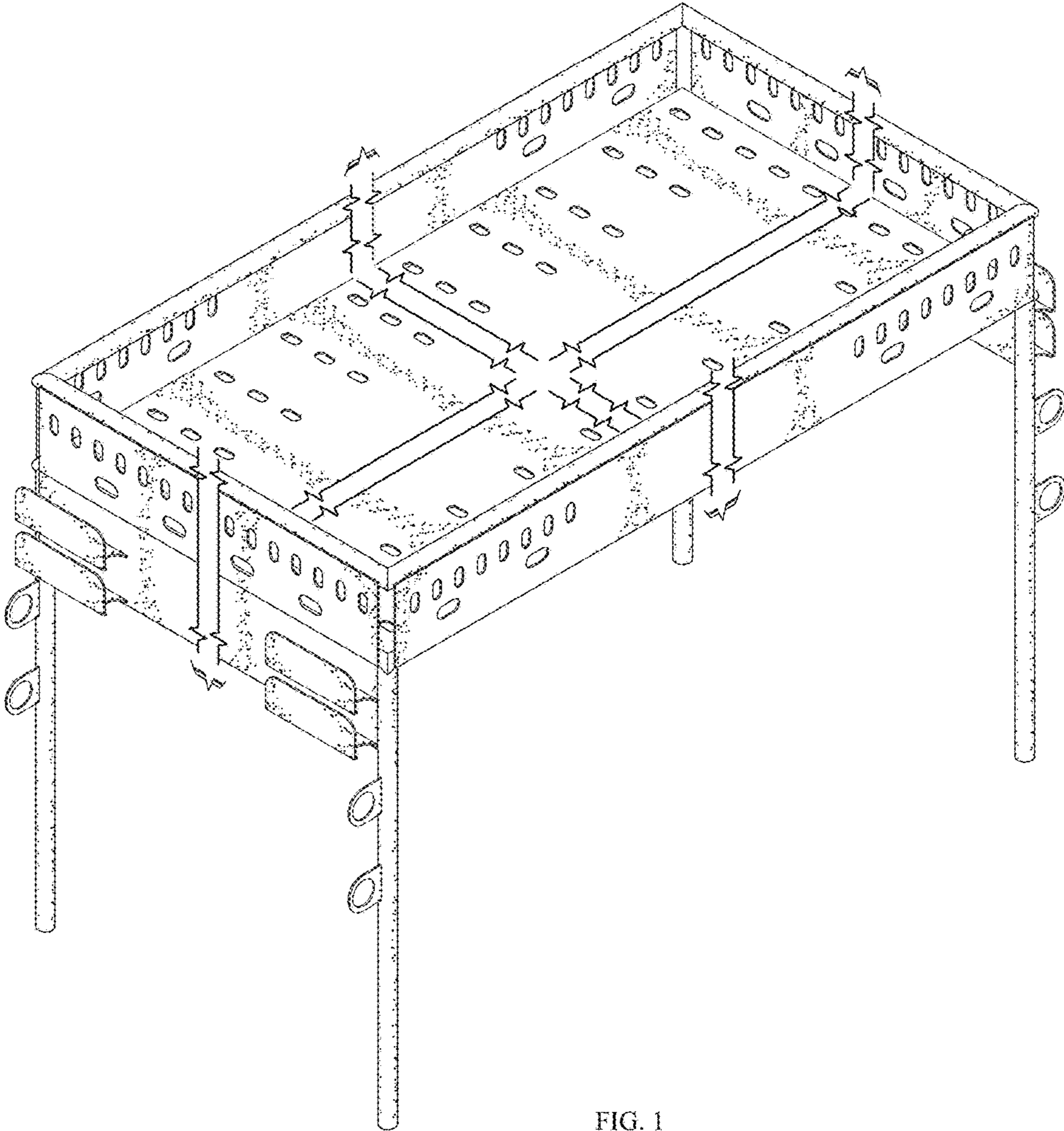


FIG. 1

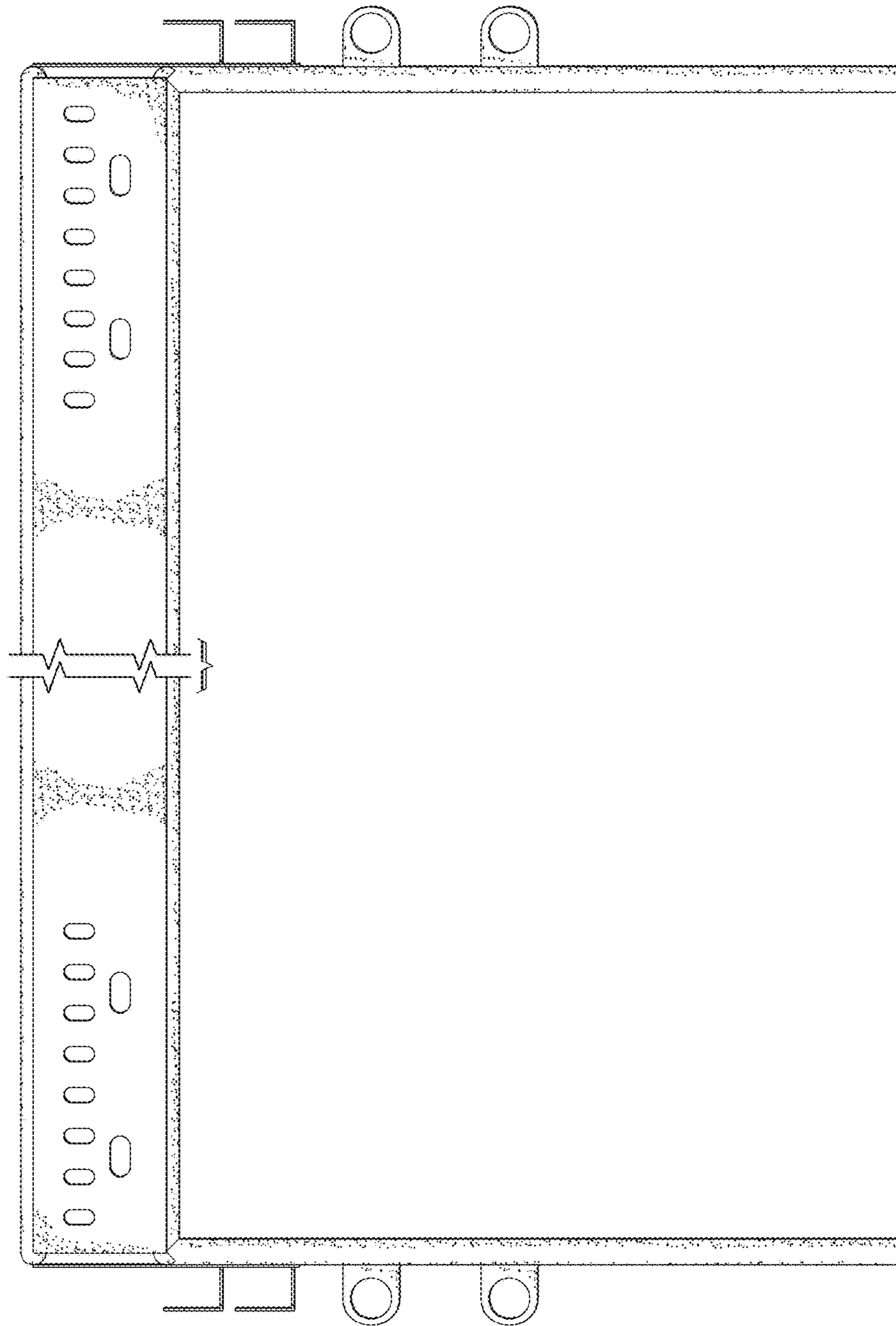


FIG. 2

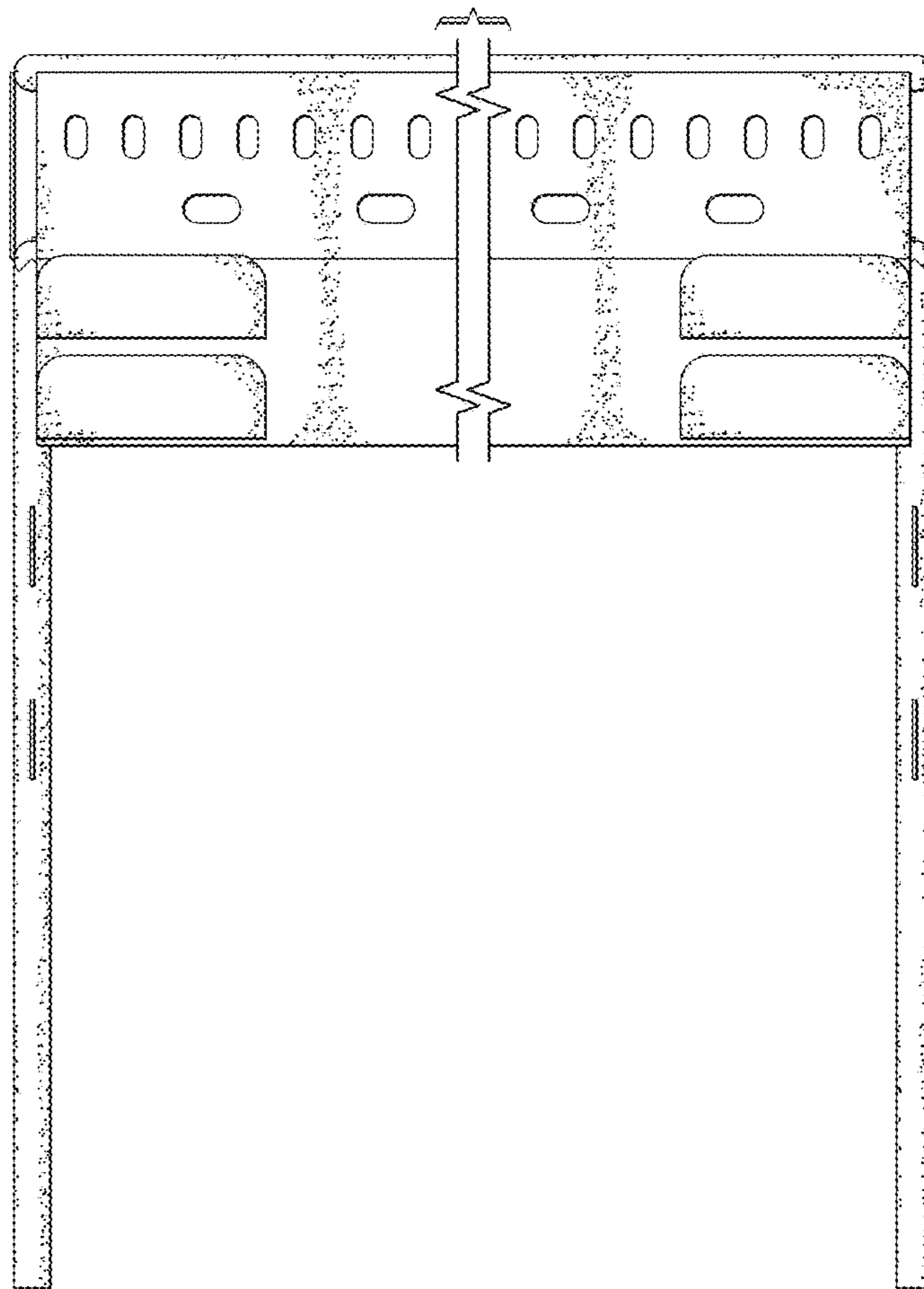


FIG. 3

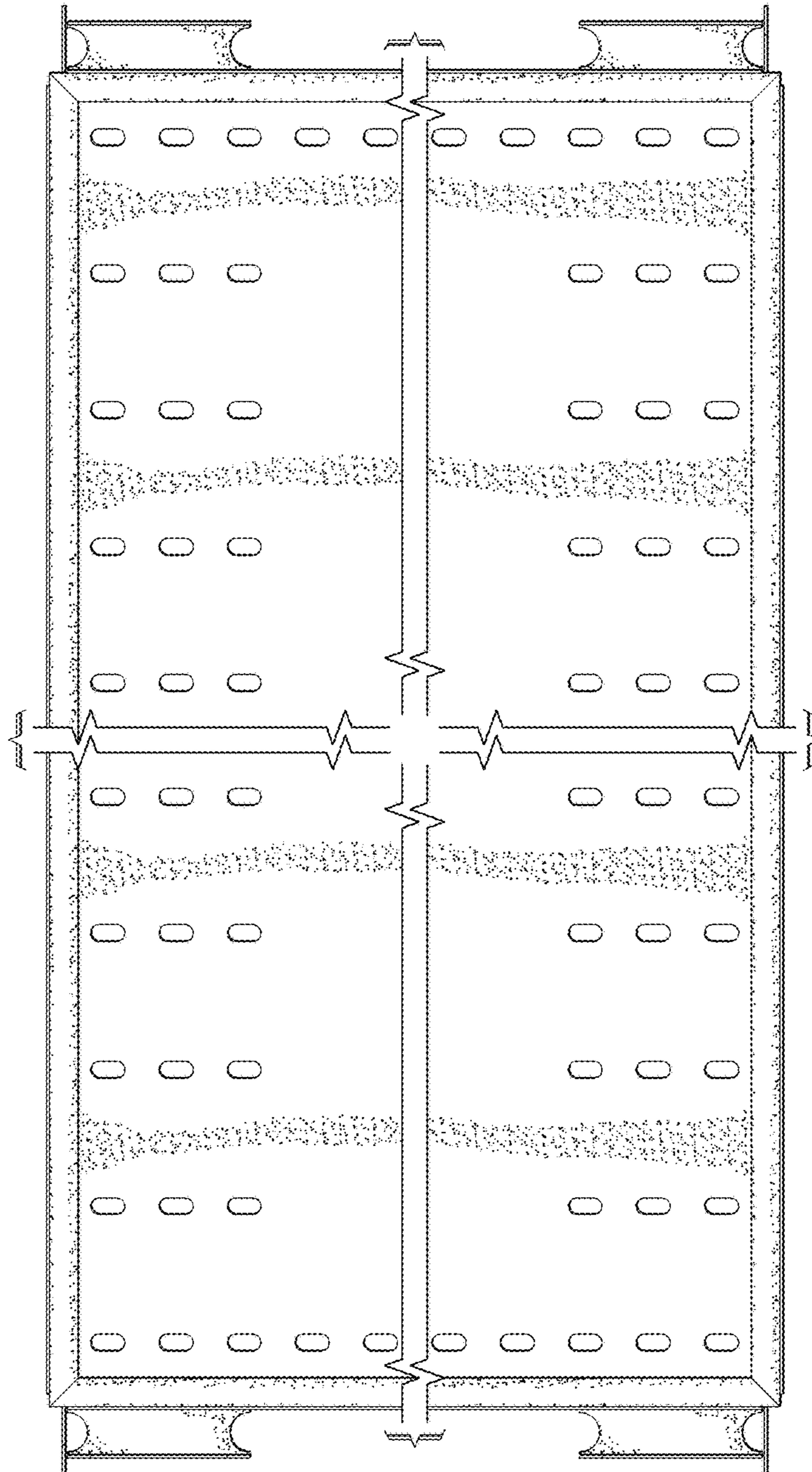


FIG. 4