

US00D866448S

(12) **United States Design Patent**
Ash

(10) **Patent No.:** **US D866,448 S**

(45) **Date of Patent:** **** Nov. 12, 2019**

(54) **RACK**

(71) Applicant: **Pilot Inc.**, City of Industry, CA (US)

(72) Inventor: **Kelleigh Ash**, City of Industry, CA (US)

(73) Assignee: **Pilot Inc.**, City of Industry, CA (US)

(**) Term: **15 Years**

(21) Appl. No.: **29/624,166**

(22) Filed: **Oct. 30, 2017**

(51) **LOC (12) Cl.** **12-16**

(52) **U.S. Cl.**
USPC **D12/412**

(58) **Field of Classification Search**
USPC D12/412, 406, 413, 414, 414.1; D6/552;
D3/304-306
CPC B60R 9/04; B60R 9/048; B60R 9/045
See application file for complete search history.

(56) **References Cited**

U.S. PATENT DOCUMENTS

D624,005 S *	9/2010	Winner	D12/412
D638,333 S *	5/2011	Freeman	D12/412
D765,577 S *	9/2016	Kmita	D12/412
D772,783 S *	11/2016	Schleef	D12/412
D807,276 S *	1/2018	Aden	D12/412
D809,997 S *	2/2018	Conner	D12/412

D811,986 S *	3/2018	Torres	D12/412
D813,785 S *	3/2018	Badillo	D12/412
D814,389 S *	4/2018	Walker	D12/412
D815,012 S *	4/2018	Badillo	D12/412
D816,011 S *	4/2018	Garcia	D12/406
2005/0092796 A1 *	5/2005	Essig	B60R 9/00 224/321
2011/0101056 A1 *	5/2011	Barkey	B60R 9/052 224/321

* cited by examiner

Primary Examiner — Katrina A Betton

(74) *Attorney, Agent, or Firm* — Sheridan Ross P.C.

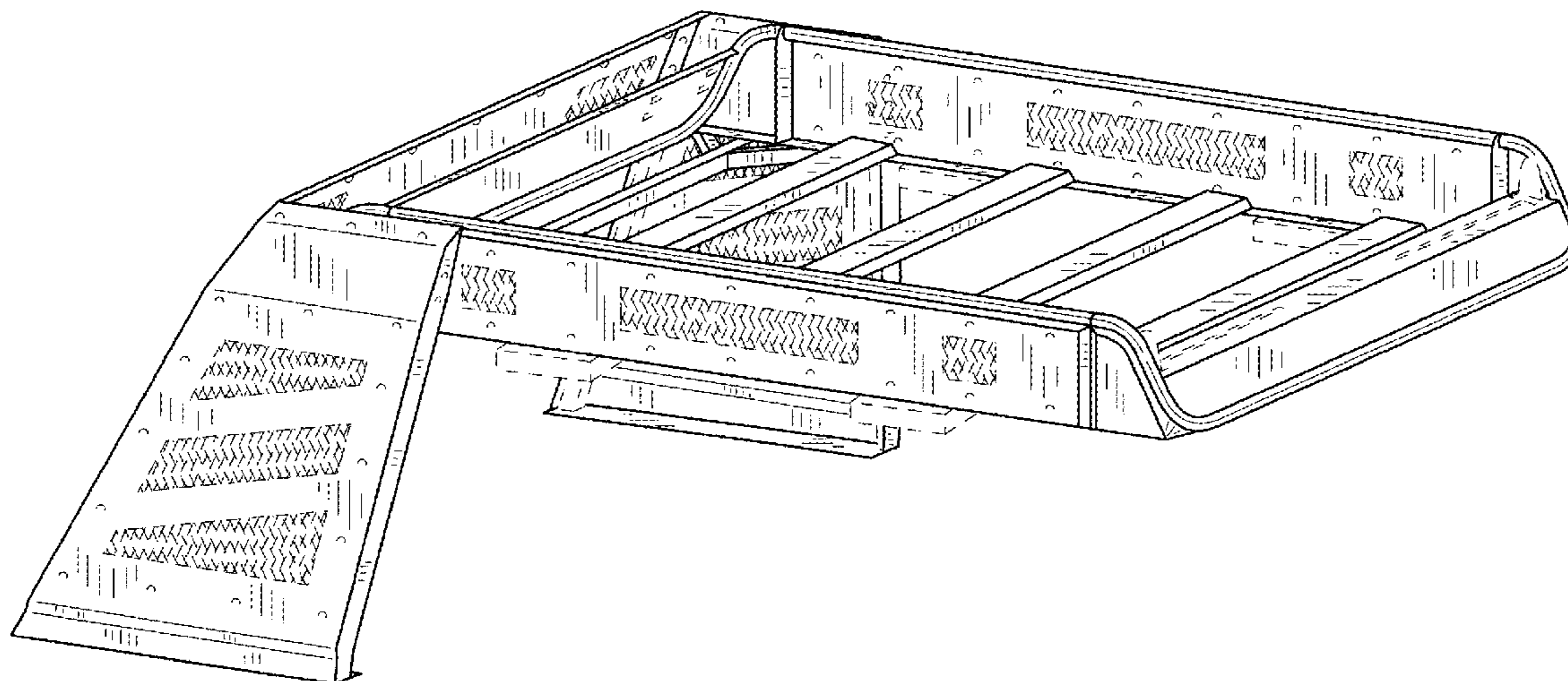
(57) **CLAIM**

The ornamental design for a rack, as shown and described.

DESCRIPTION

FIG. 1 is a perspective view of a rack showing our new design;
FIG. 2 is a front elevational view thereof;
FIG. 3 is a rear elevational view thereof;
FIG. 4 is a right side elevational view thereof;
FIG. 5 is a left side elevational view thereof;
FIG. 6 is a top plan view thereof; and,
FIG. 7 is a bottom plan view thereof.
The broken lines show portions of the rack which form no part of the claimed design.

1 Claim, 7 Drawing Sheets



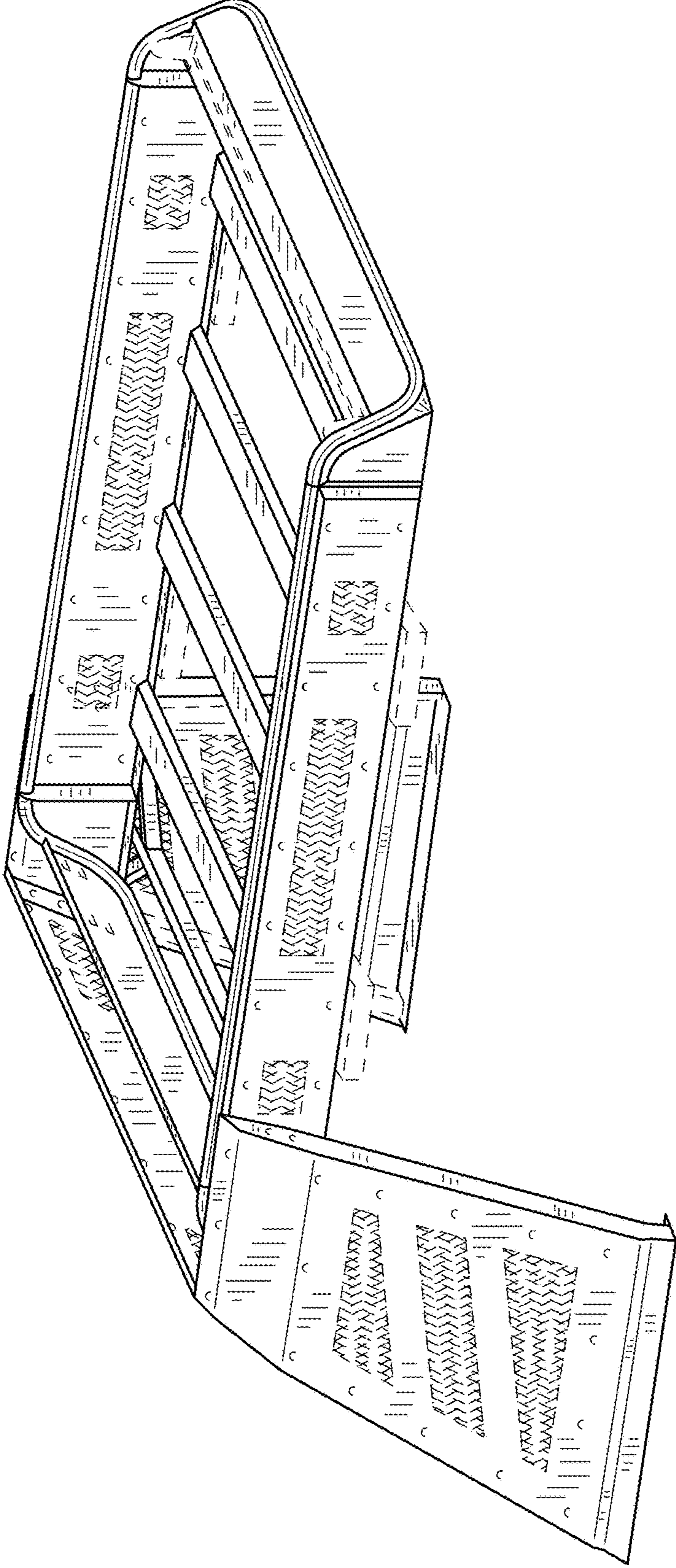


FIG.1

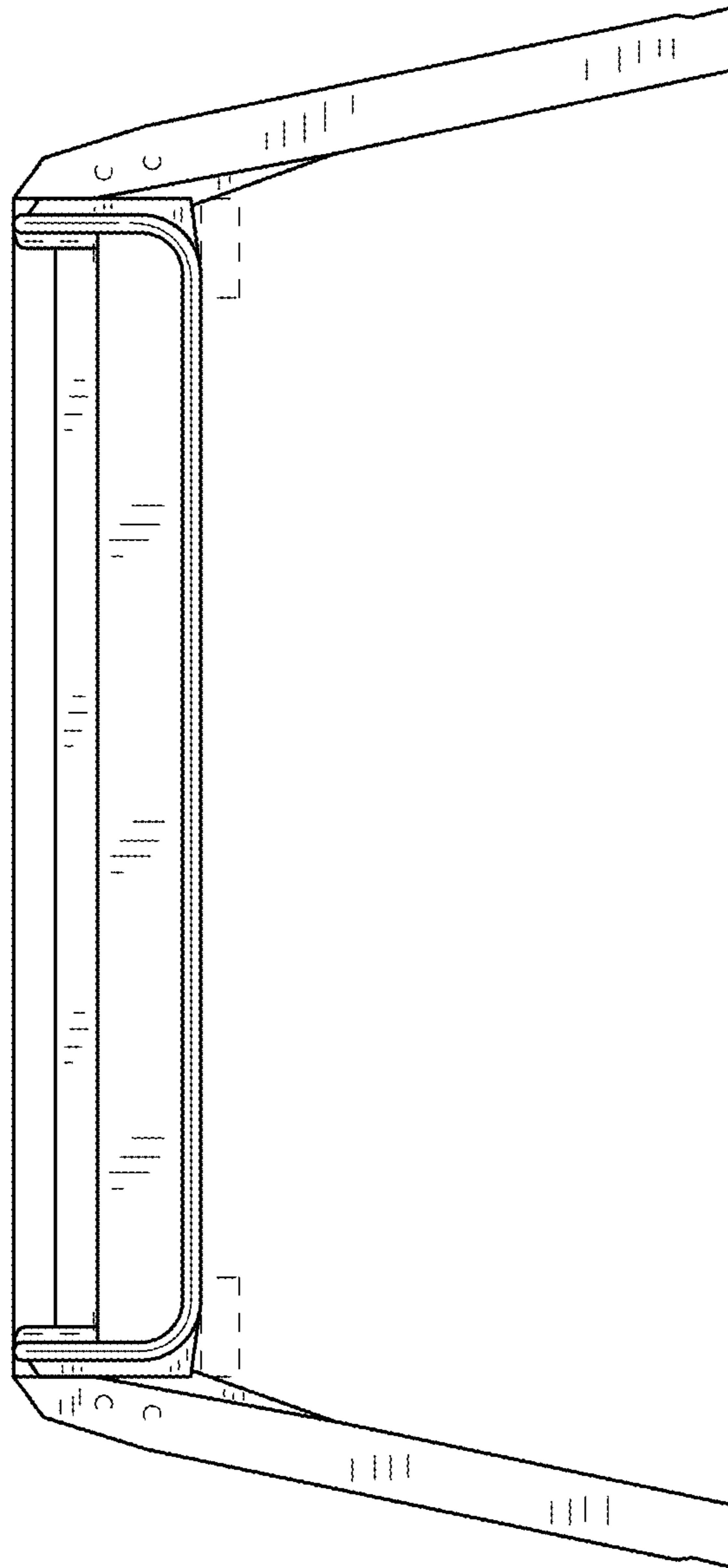


FIG.2

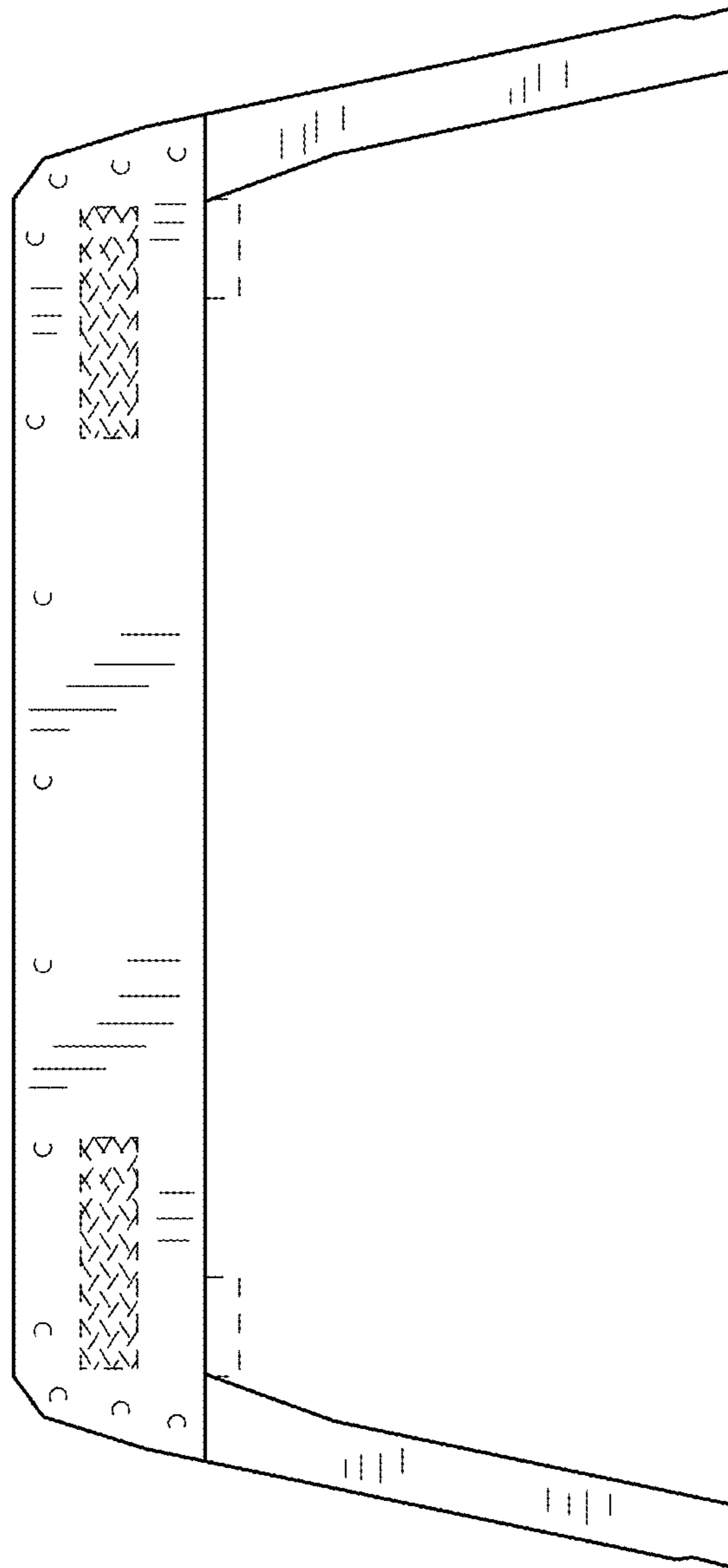


FIG.3

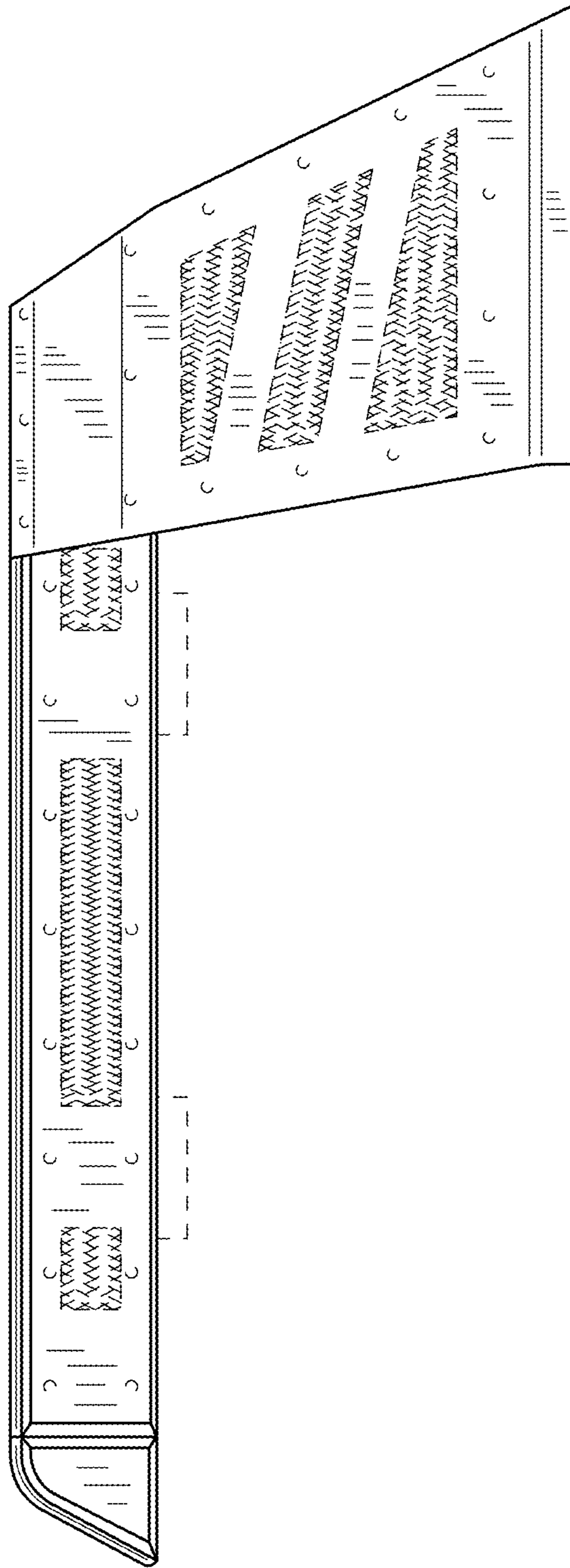


FIG.4

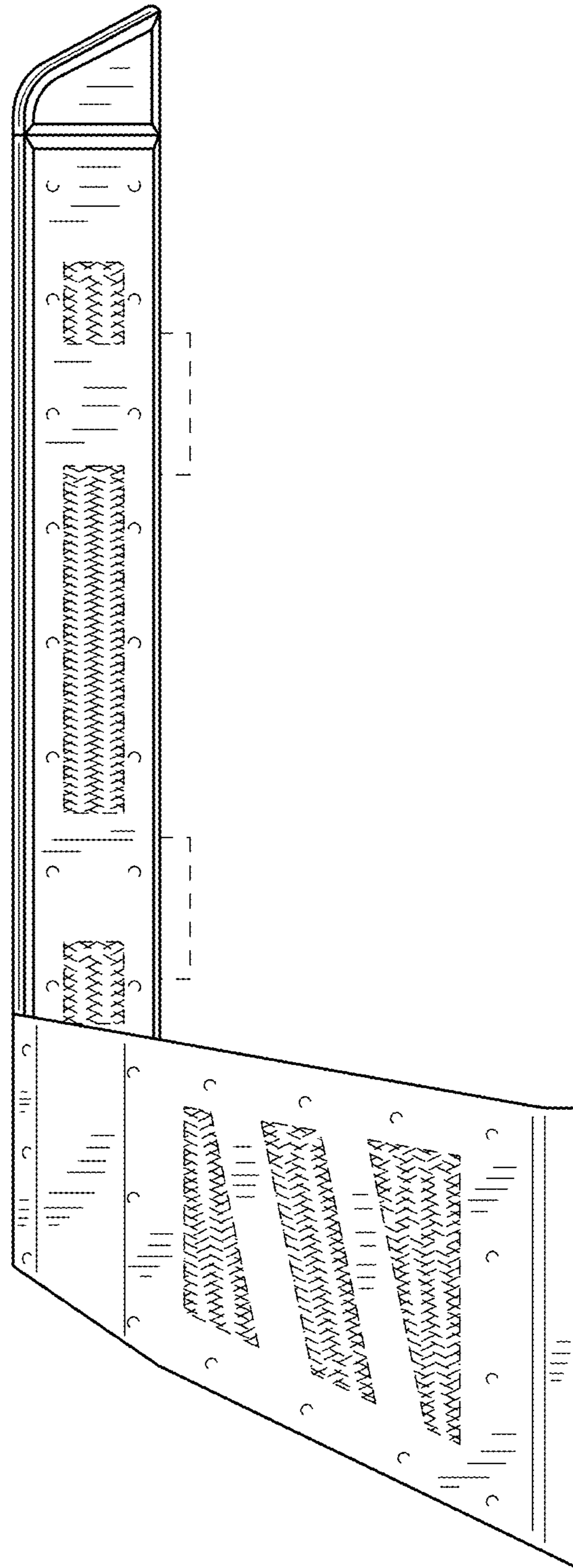


FIG.5

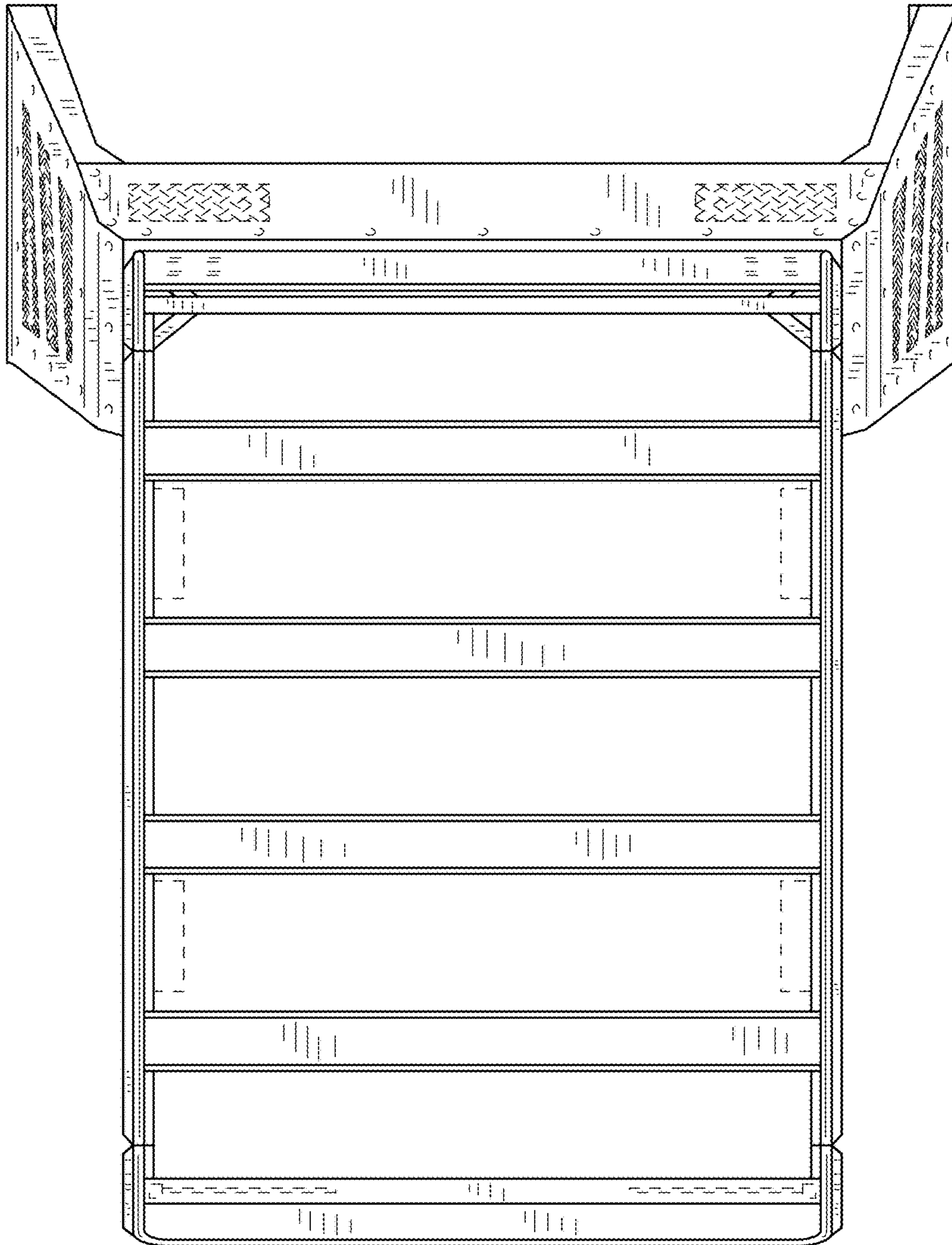


FIG.6

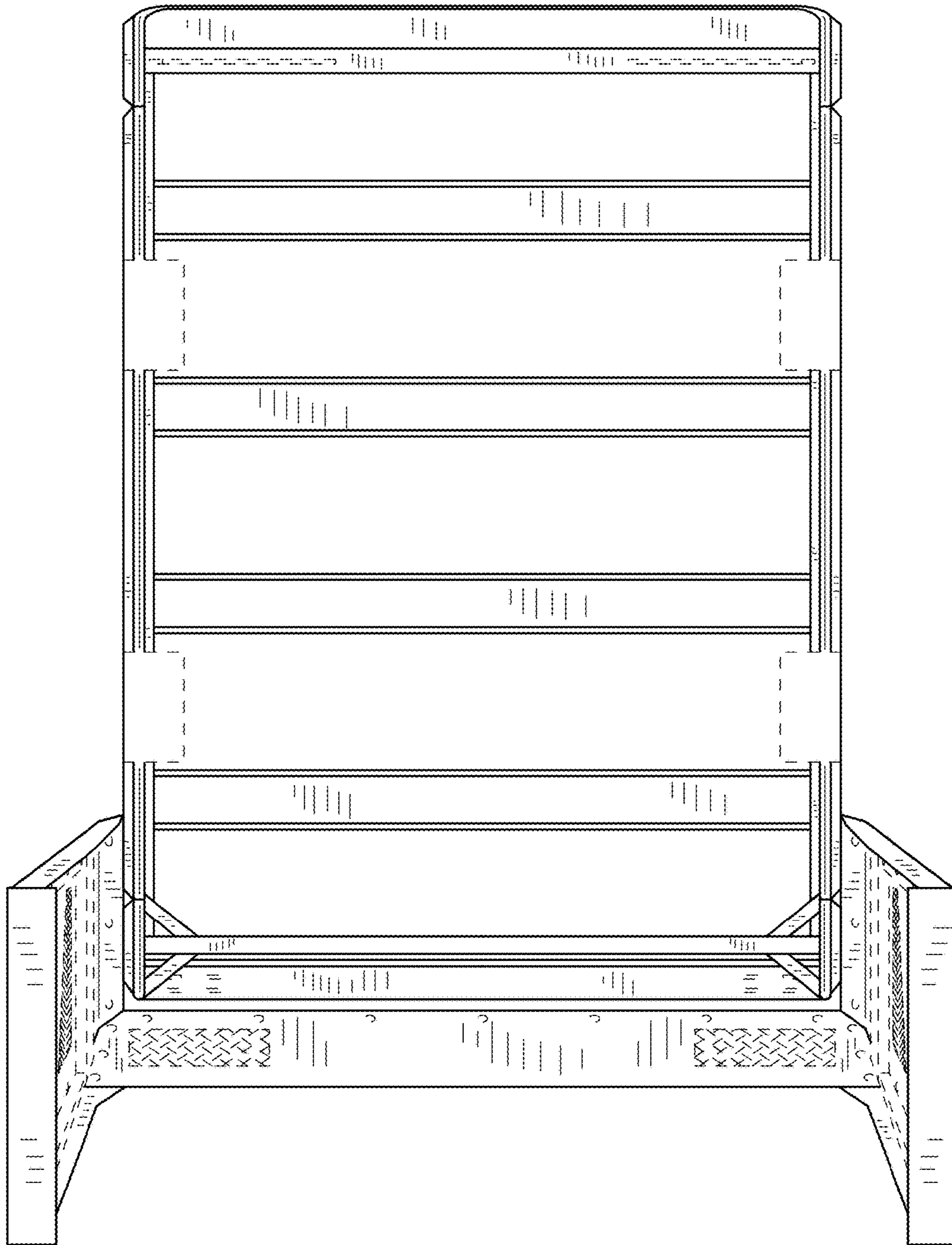


FIG.7