



US00D866446S

(12) **United States Design Patent** (10) **Patent No.:** **US D866,446 S**
Chen (45) **Date of Patent:** **** Nov. 12, 2019**

- (54) **CONNECTOR FOR AUTOMOBILE**
- (71) Applicant: **Xiuying Chen**, Zhejiang (CN)
- (72) Inventor: **Xiuying Chen**, Zhejiang (CN)
- (73) Assignee: **Zhejiang Shijia Import and Export Co., Ltd**, Pinghu, Zhejiang (CN)
- (**) Term: **15 Years**
- (21) Appl. No.: **29/676,295**
- (22) Filed: **Jan. 10, 2019**
- (51) **LOC (12) Cl.** **12-16**
- (52) **U.S. Cl.**
USPC **D12/400**
- (58) **Field of Classification Search**
USPC D12/400; D13/133, 134, 137, 147, 154
See application file for complete search history.

- D754,610 S 4/2016 York et al.
- 9,306,348 B2 * 4/2016 Feng H01R 24/78
- D755,721 S 5/2016 Bies
- D774,457 S * 12/2016 Urano D13/133
- D798,237 S 9/2017 Peng
- D820,215 S * 6/2018 Kobayashi D13/147
- D832,791 S 11/2018 Xie et al.
- D837,750 S 1/2019 Wu et al.
- D843,940 S * 3/2019 Sasaki D13/133
- D843,951 S * 3/2019 Lim D13/154
- 2017/0352985 A1 * 12/2017 Venkatesan H01R 13/639

* cited by examiner

Primary Examiner — Kevin K Rudzinski

(57) **CLAIM**

The ornamental design for a connector for automobile, as shown and described.

DESCRIPTION

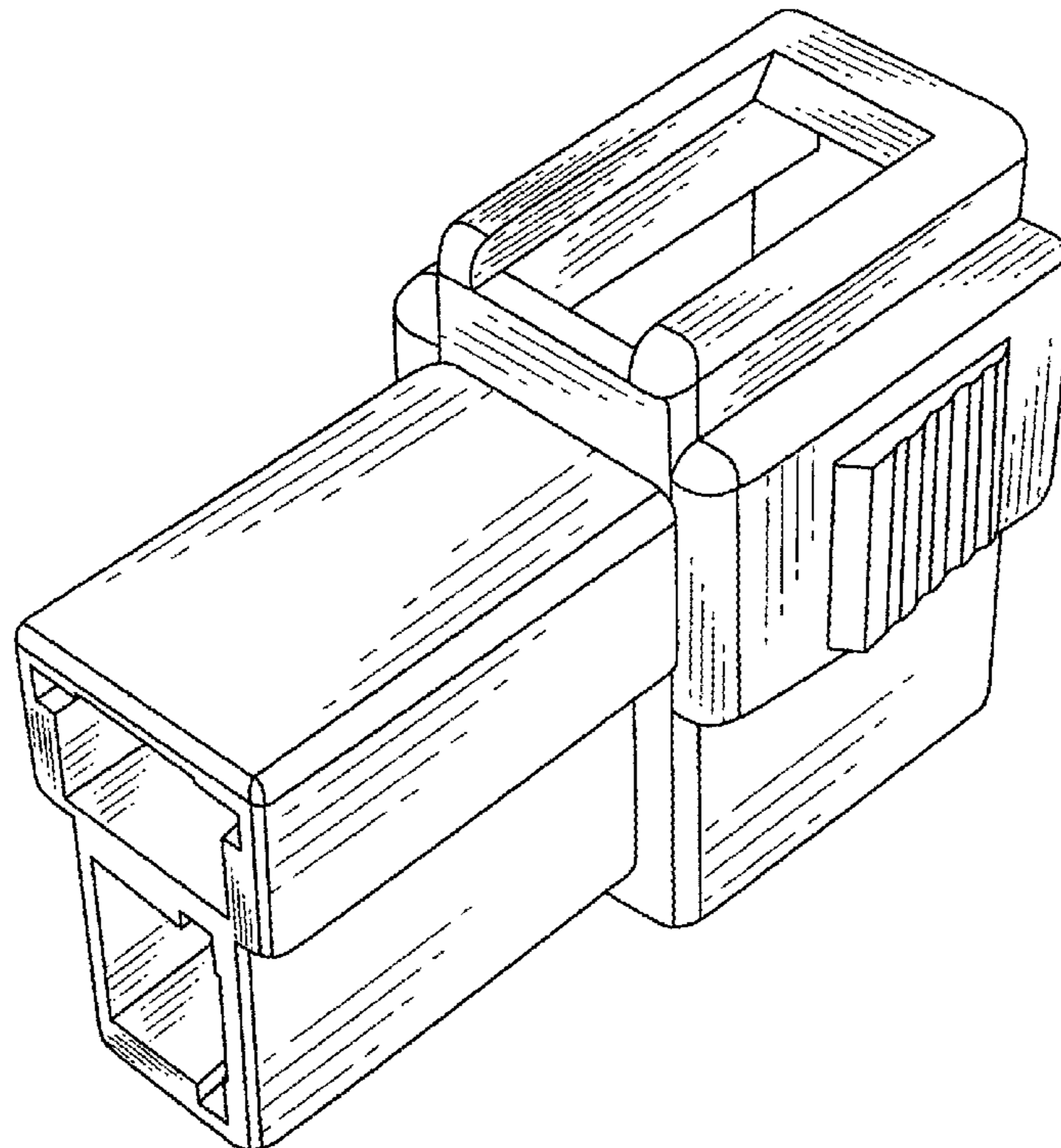
FIG. 1 is a top, front and right side perspective view of a connector for automobile showing my new design; FIG. 2 is a top, rear and left side perspective view thereof; FIG. 3 is a front elevation view thereof; FIG. 4 is a rear elevation view thereof; FIG. 5 is a left side elevation view thereof; FIG. 6 is a right side elevation view thereof; FIG. 7 is a top plan view thereof; and, FIG. 8 is a bottom plan view thereof. The broken lines in the figures depict portions of the article which form no part of the claimed design.

1 Claim, 8 Drawing Sheets

(56) **References Cited**

U.S. PATENT DOCUMENTS

- 5,044,972 A * 9/1991 Ikeda H01R 13/20
439/268
- D535,620 S * 1/2007 Mace D13/133
- D566,651 S * 4/2008 Chan D13/123
- D568,818 S * 5/2008 Mollon D13/147
- D624,502 S * 9/2010 Ayers D13/147
- D626,917 S * 11/2010 James D13/147
- D635,924 S 4/2011 Schrader
- D651,171 S 12/2011 Yamauchi et al.
- D651,172 S 12/2011 Yamauchi et al.
- D754,077 S 4/2016 York et al.



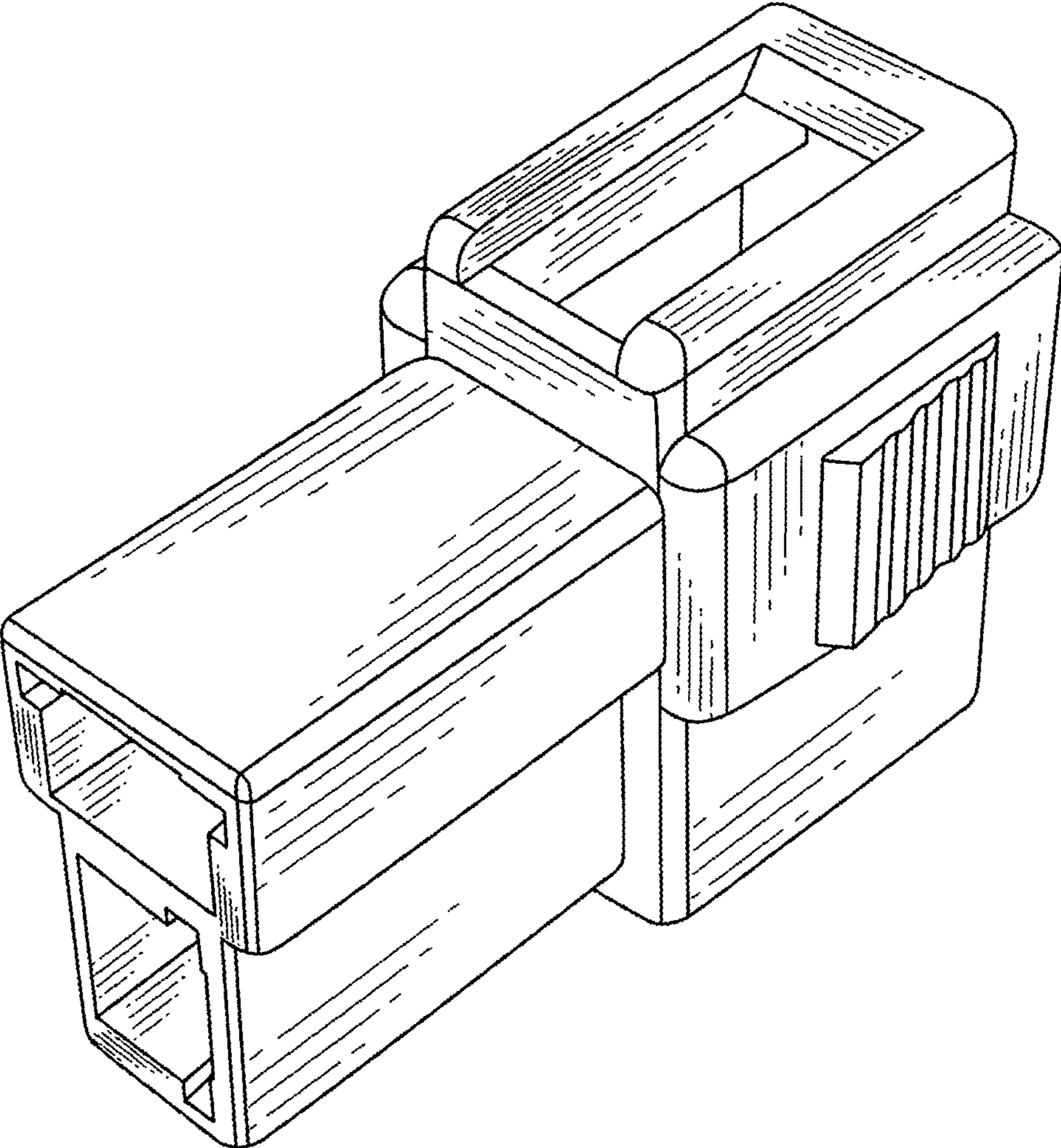


FIG.1

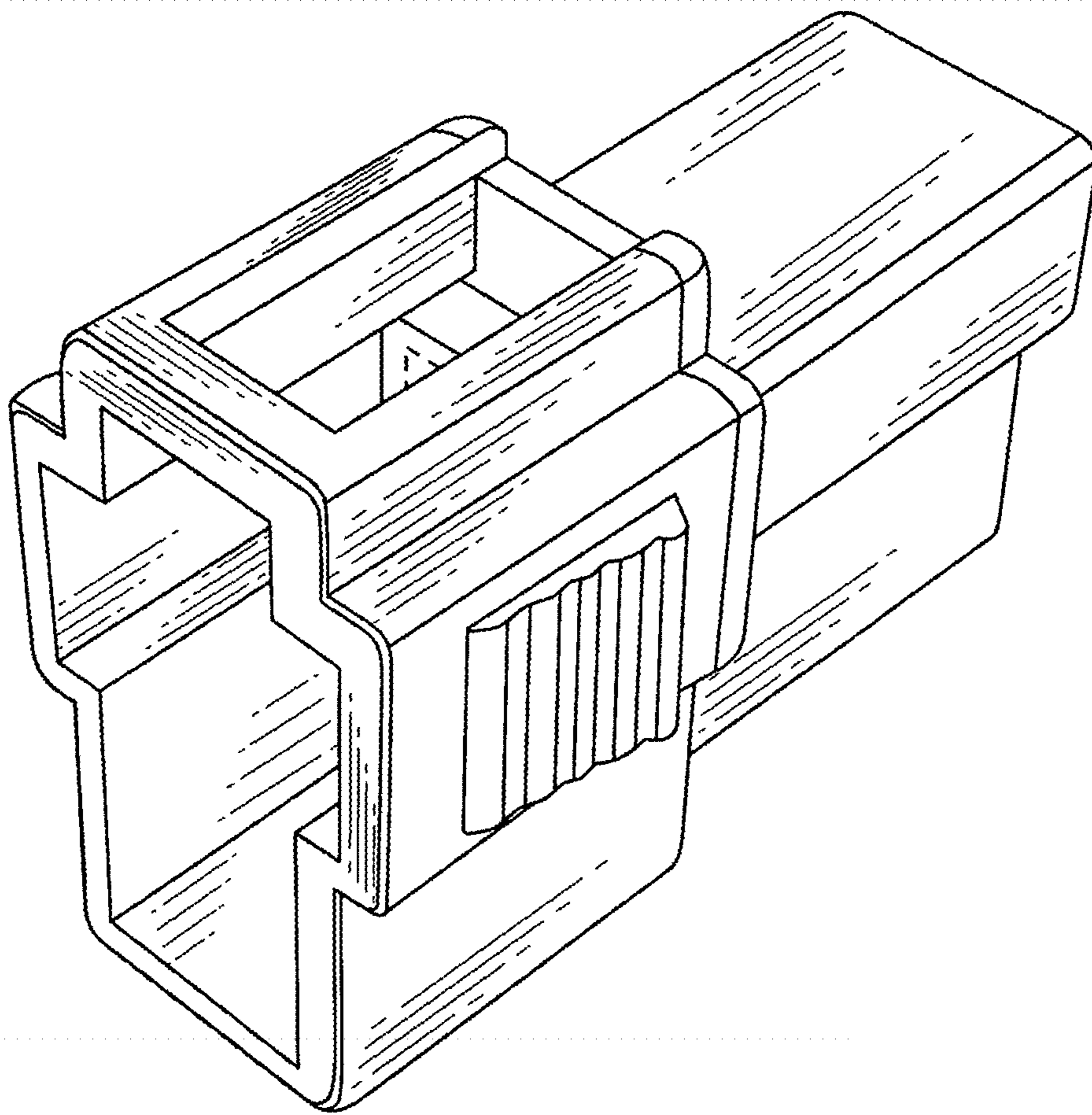


FIG.2

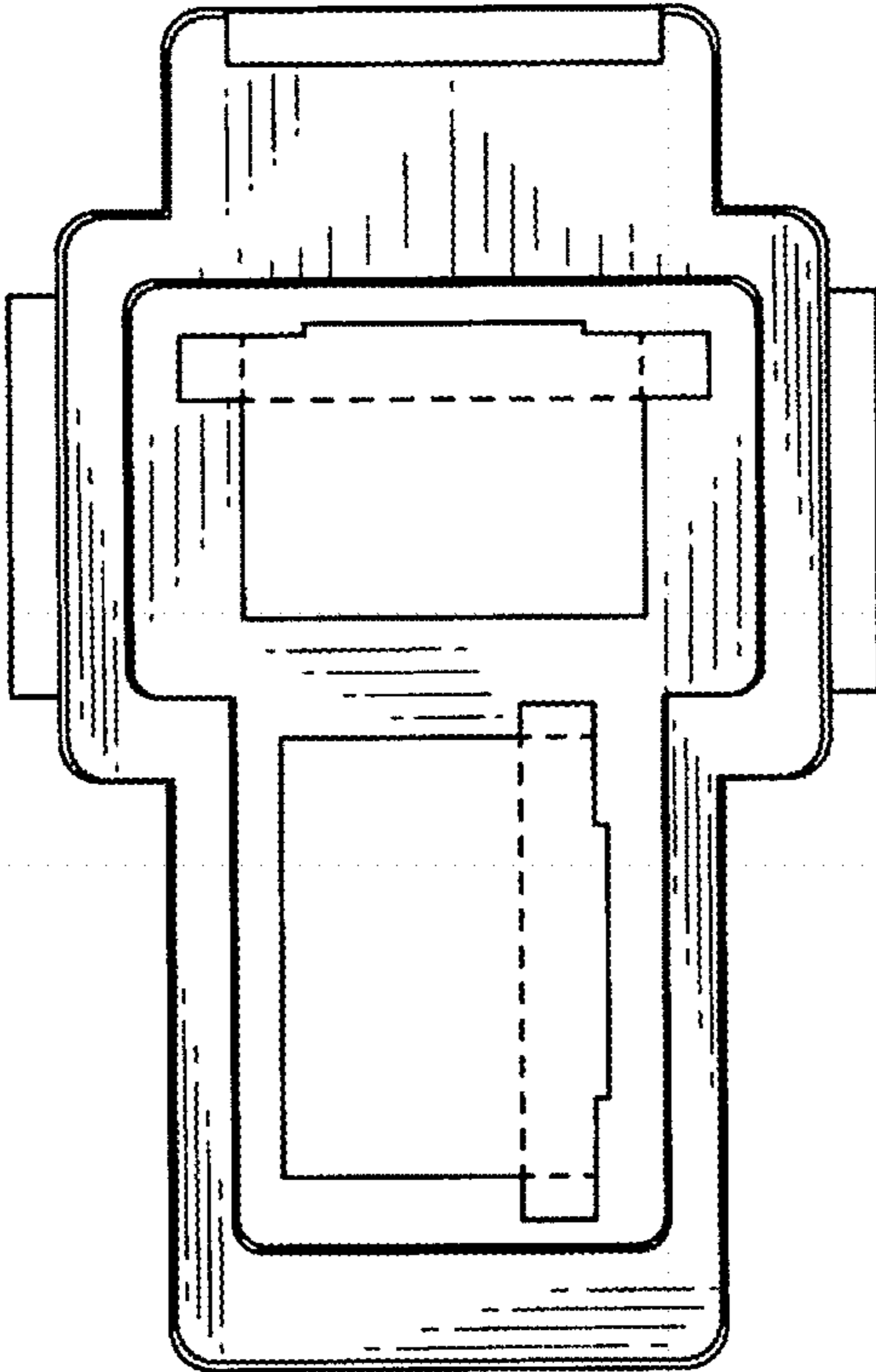


FIG.3

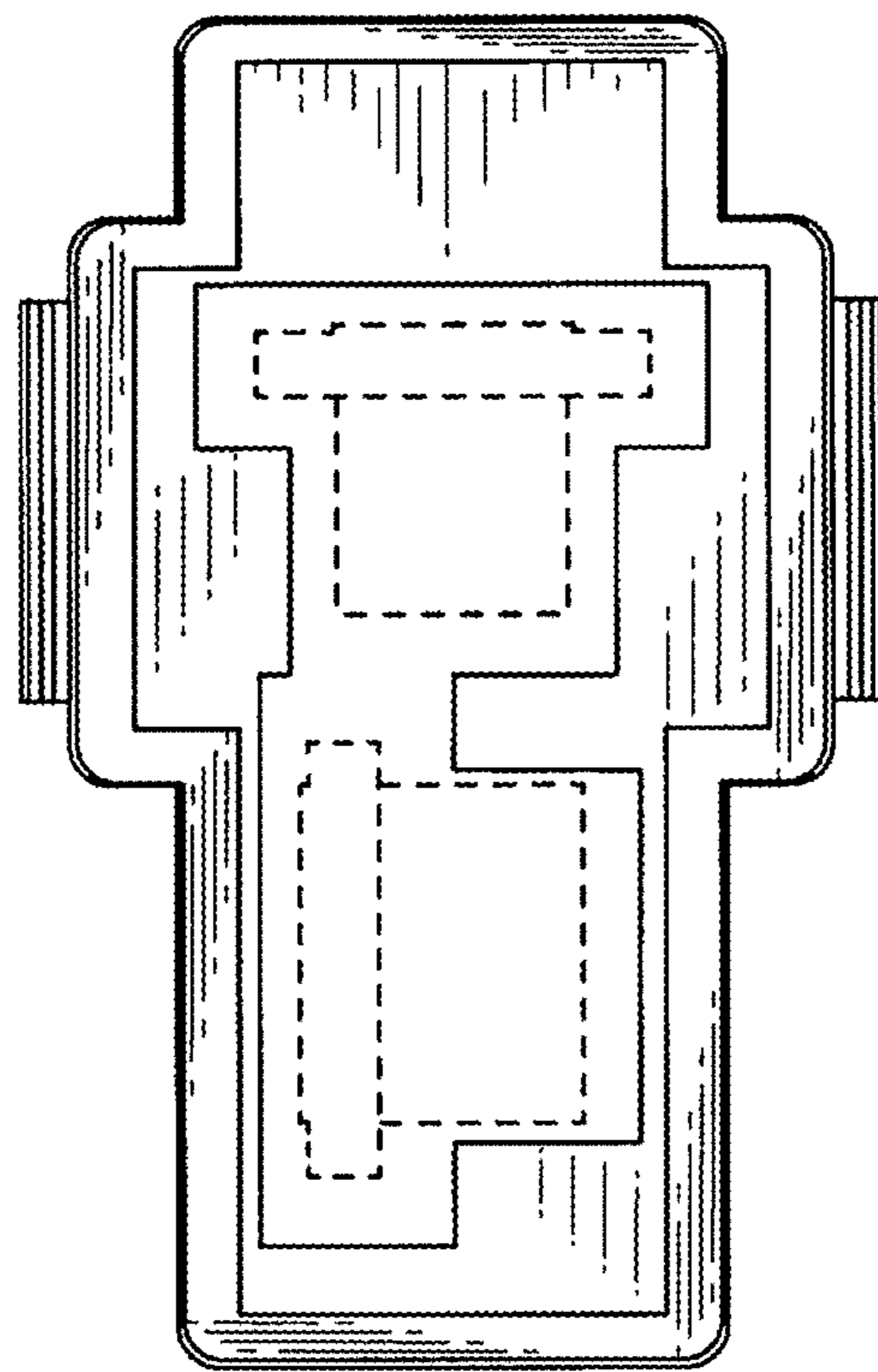


FIG.4

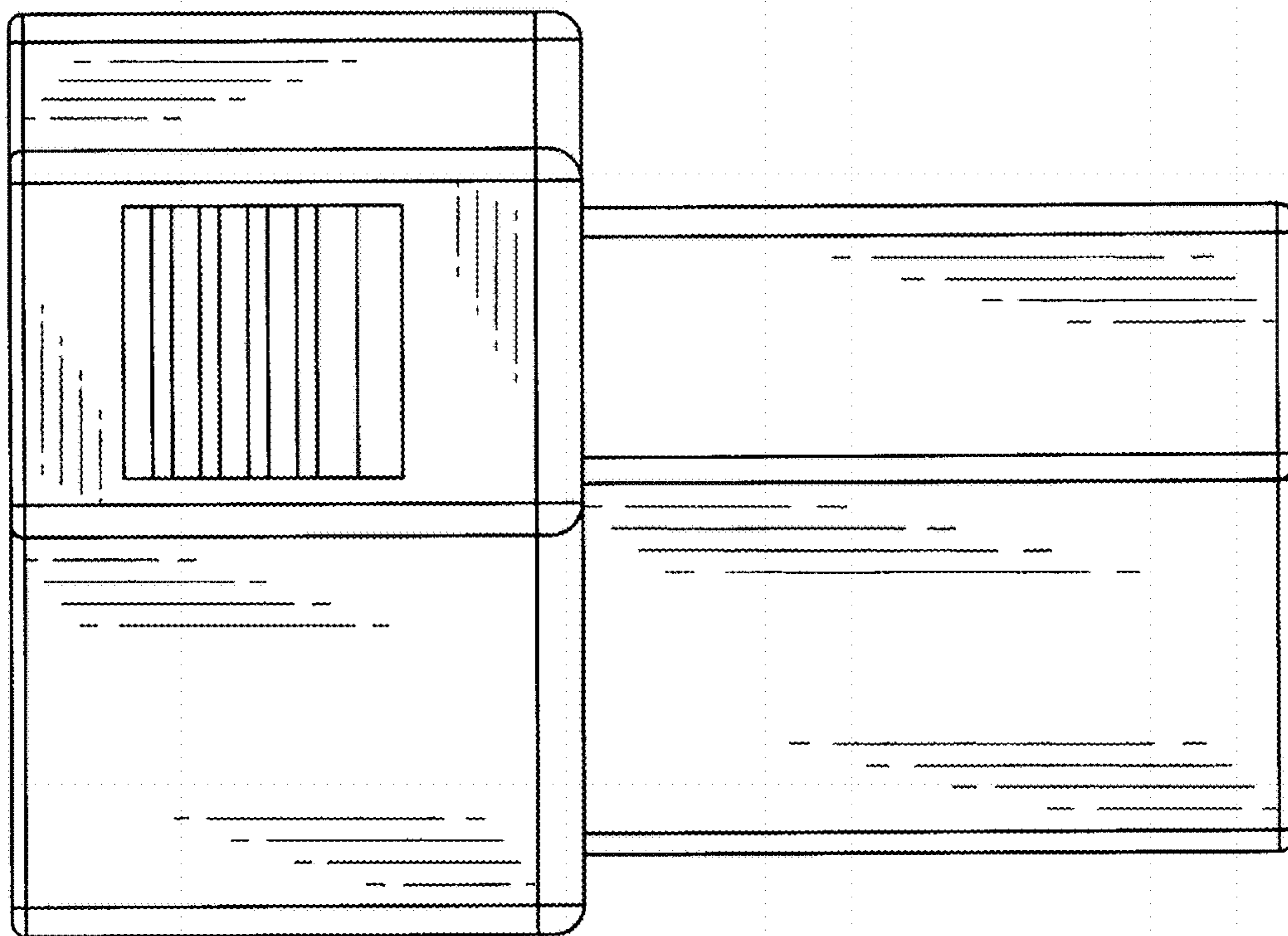


FIG.5

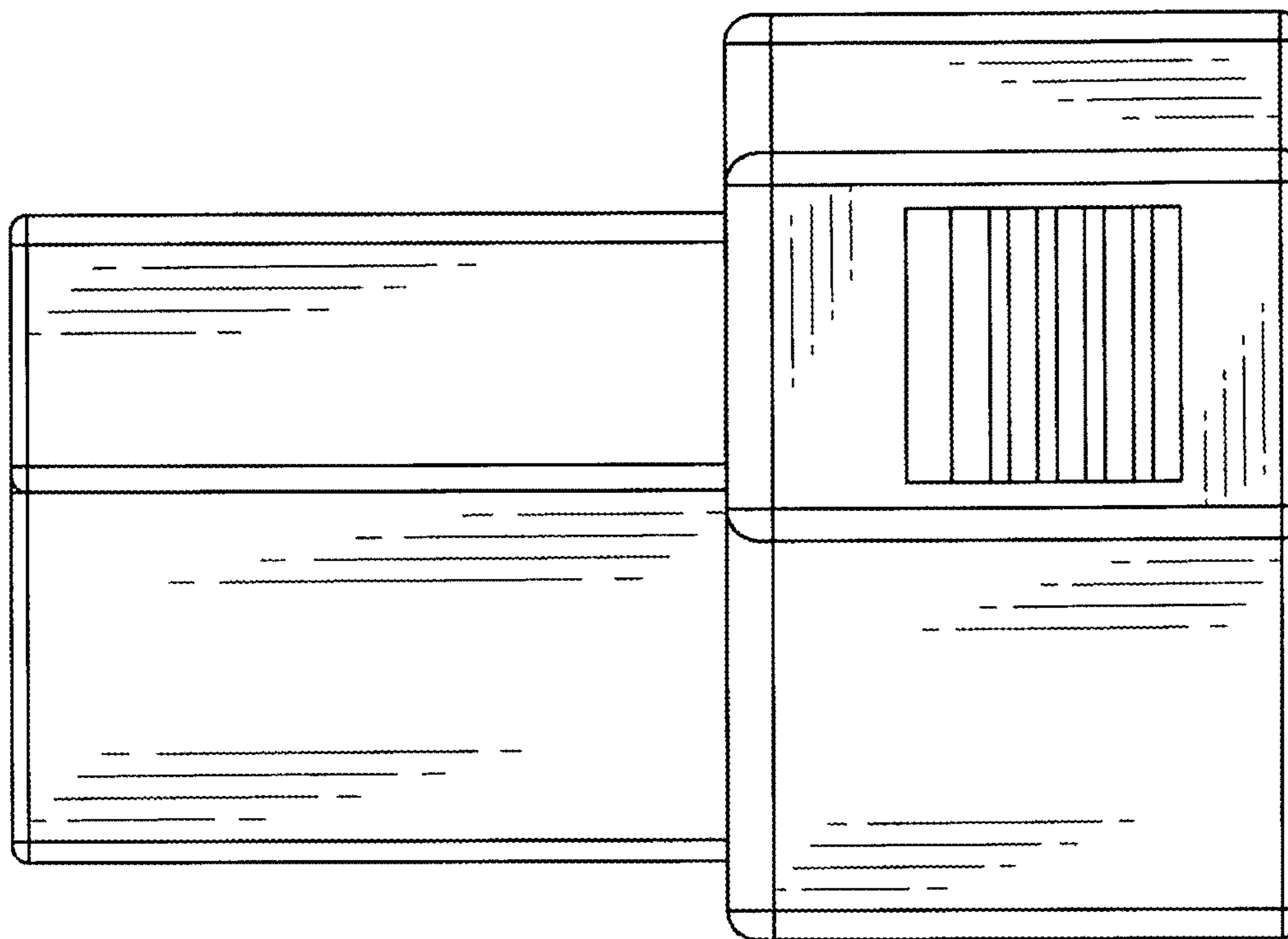


FIG.6

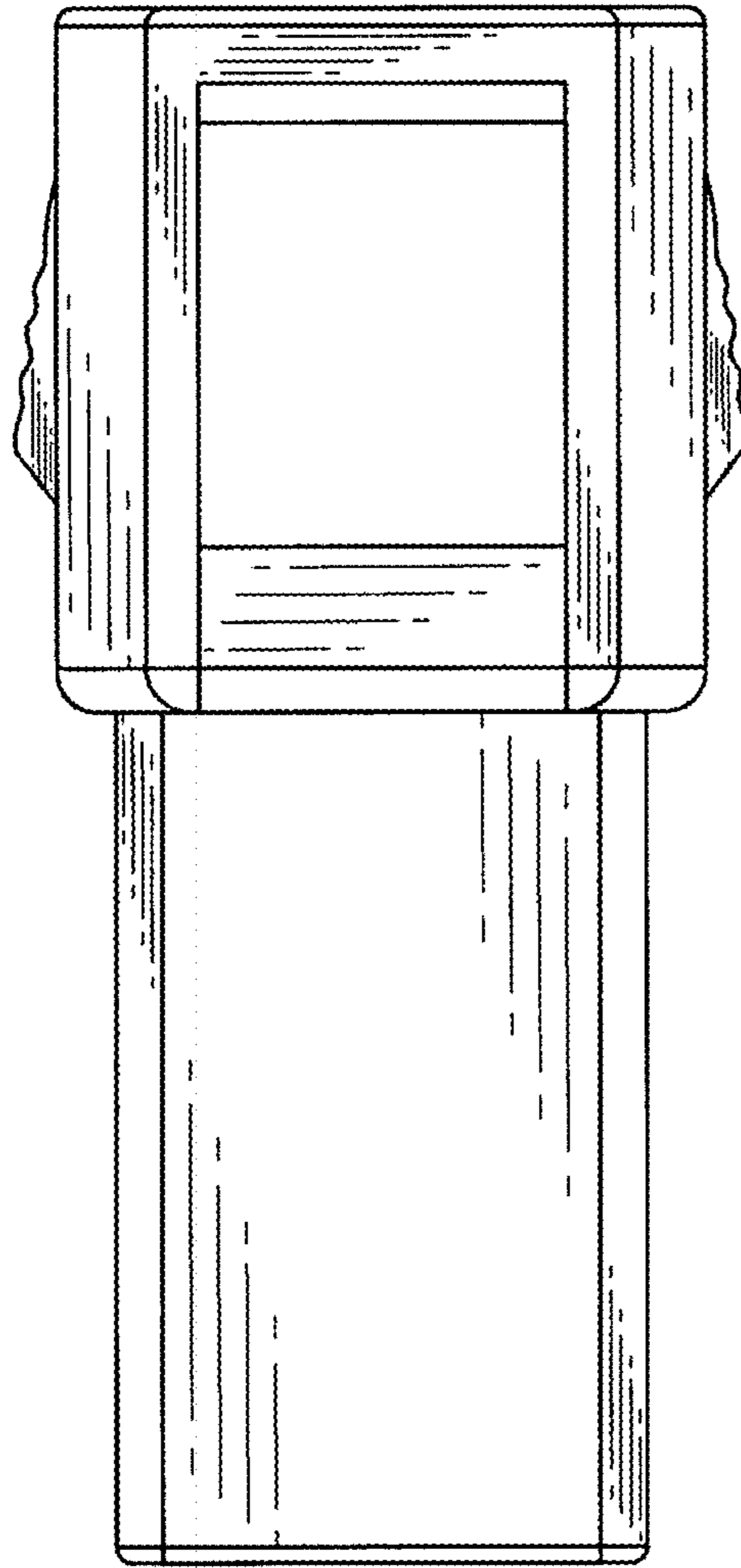


FIG. 7

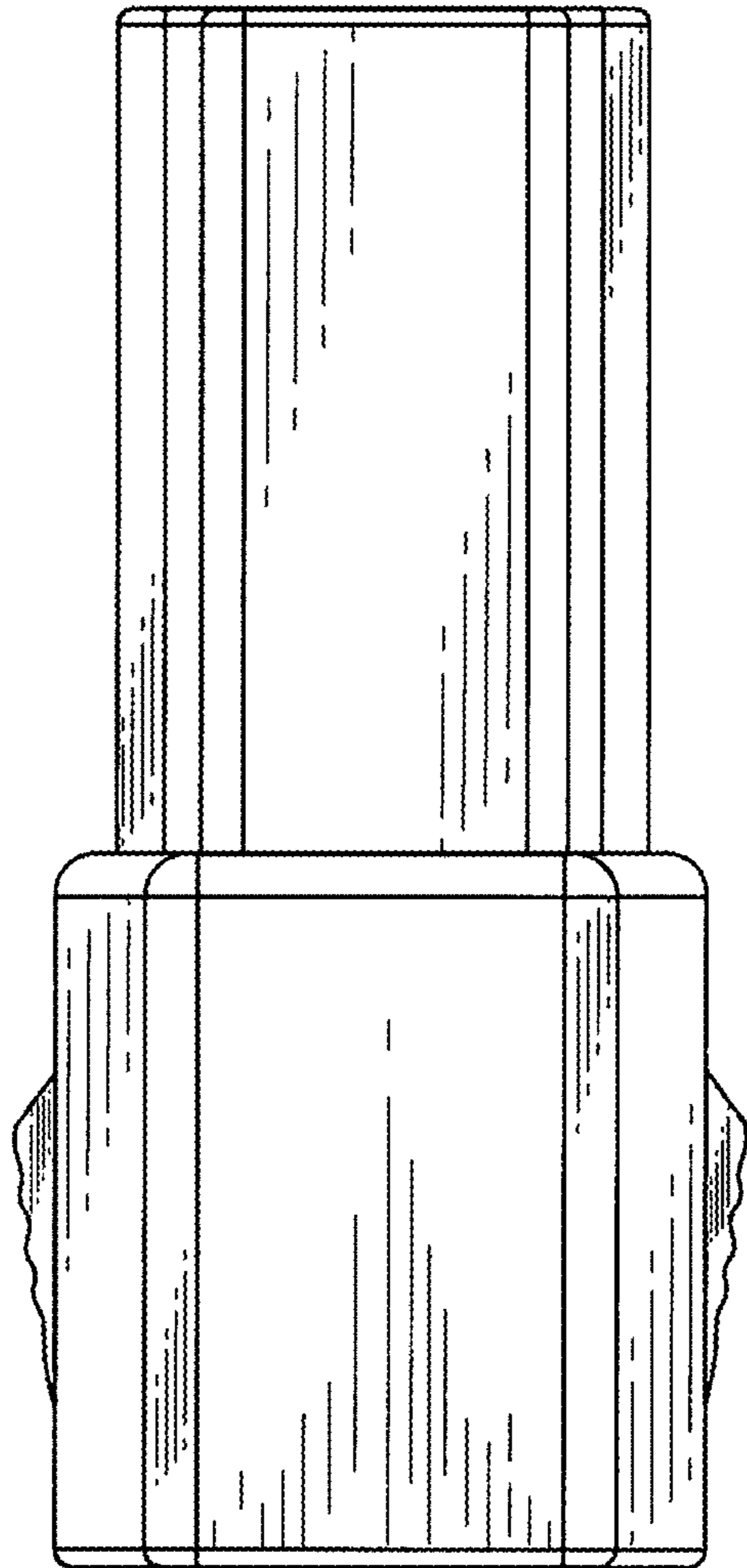


FIG. 8