



US00D866442S

(12) **United States Design Patent**
Celik

(10) **Patent No.:** **US D866,442 S**

(45) **Date of Patent:** **** Nov. 12, 2019**

(54) **WHEEL OR WHEEL COVER**

(71) Applicant: **FORGIATO INC.**, Sun Valley, CA (US)

(72) Inventor: **Norman Celik**, Sun Valley, CA (US)

(73) Assignee: **FORGIATO INC.**, Sun Valley, CA (US)

(**) Term: **15 Years**

(21) Appl. No.: **29/664,440**

(22) Filed: **Sep. 25, 2018**

(51) **LOC (12) Cl.** **12-16**

(52) **U.S. Cl.**
USPC **D12/211**

(58) **Field of Classification Search**
USPC D12/204–213
CPC B60B 7/00; B60B 7/02; B60B 7/04; B60B 7/01; B60B 7/06; B60B 3/02; B60B 3/04; B60B 3/06; B60B 3/10; B60B 1/00; B60B 1/08; B60B 1/10; B60B 1/12
See application file for complete search history.

(56) **References Cited**

U.S. PATENT DOCUMENTS

D534,473 S	*	1/2007	Bernoni	D12/211
D537,767 S	*	3/2007	Pfeiffer	D12/211
D552,525 S	*	10/2007	Celik	D12/211
D556,113 S	*	11/2007	Celik	D12/211

D580,336 S	*	11/2008	Chung	D12/211
D605,574 S	*	12/2009	Abdallah	D12/211
D642,105 S	*	7/2011	Chung	D12/209
D652,363 S	*	1/2012	Chung	D12/211
D726,627 S	*	4/2015	Chung	D12/211
D741,245 S	*	10/2015	Zhao	D12/211
D755,690 S	*	5/2016	von Tardy-Tuch	D12/209
D801,904 S	*	11/2017	Groth	D12/211
D801,906 S	*	11/2017	Burki	D12/211
D803,751 S	*	11/2017	Chung	D12/209
D806,631 S	*	1/2018	Sempek	D12/211
D823,223 S	*	7/2018	Sempek	D12/211
D823,225 S	*	7/2018	Chung	D12/211
D836,052 S	*	12/2018	Sempek	D12/209
D839,814 S	*	2/2019	Galled	D12/211
D845,857 S	*	4/2019	Han	D12/209

* cited by examiner

Primary Examiner — Stacia A Cadmus

(74) *Attorney, Agent, or Firm* — Renner, Otto, Boisselle & Sklar, LLP

(57) **CLAIM**

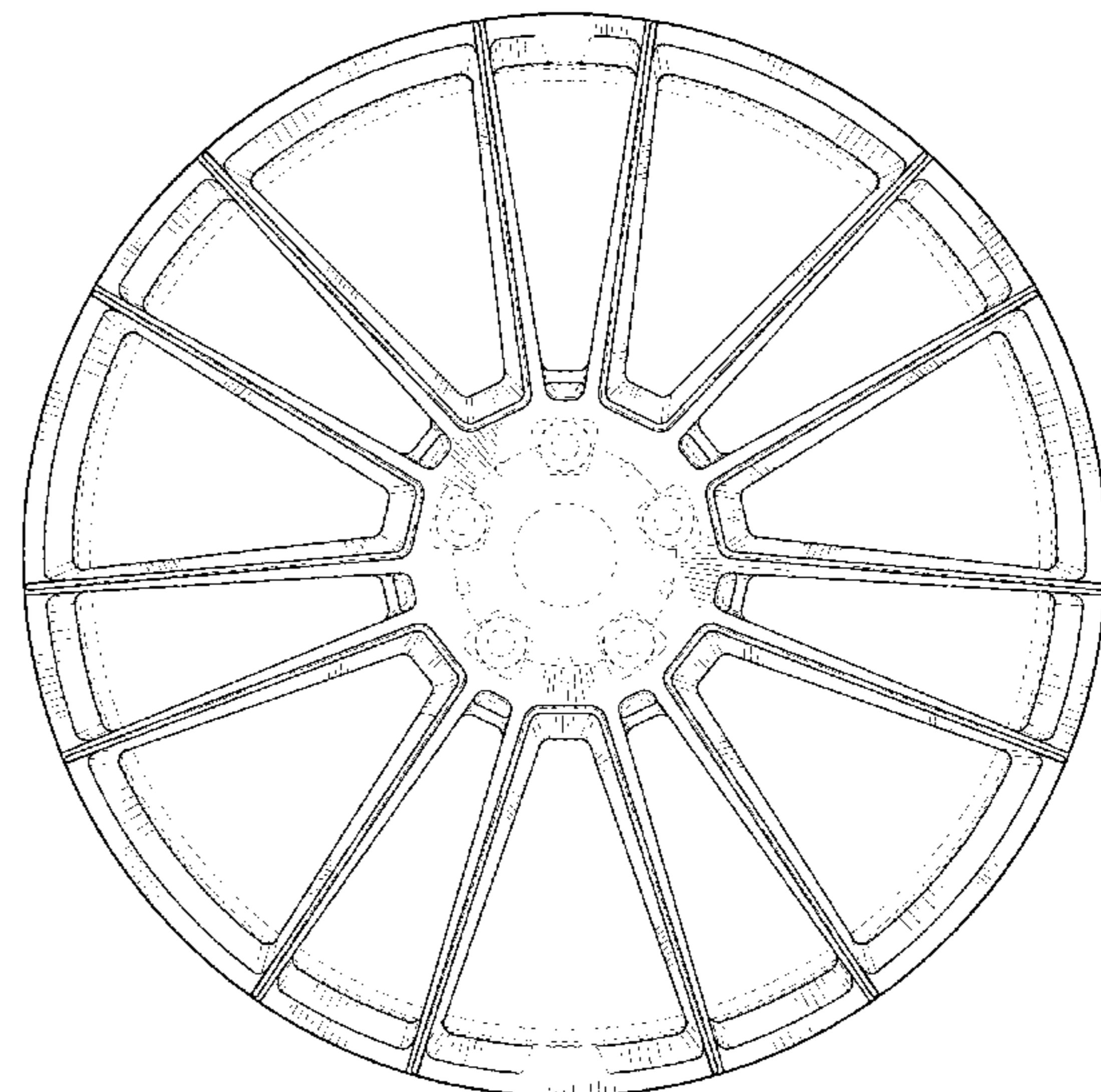
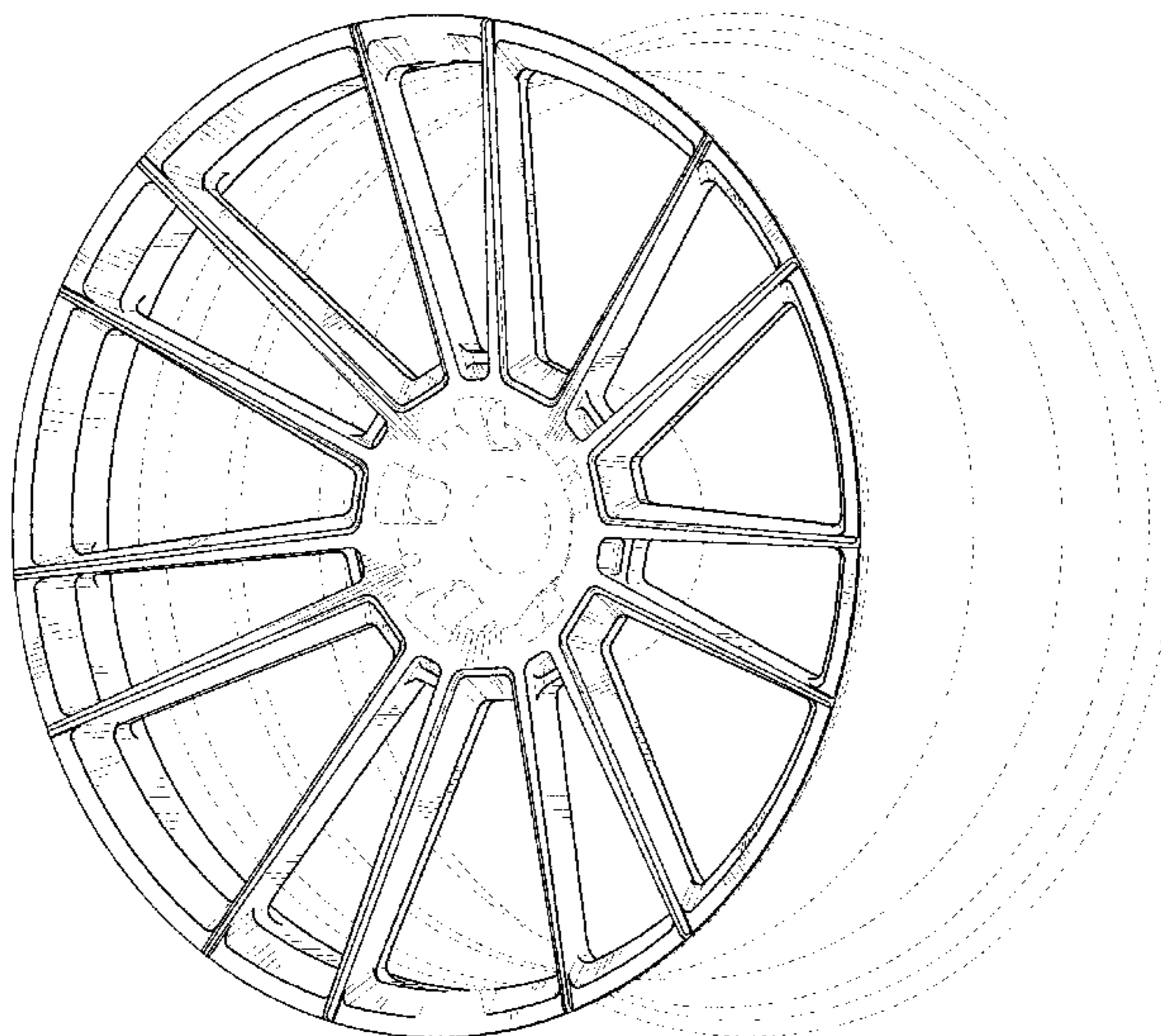
The ornamental design for a wheel or wheel cover, as shown and described.

DESCRIPTION

FIG. 1 is a perspective view of a wheel or wheel cover according to the design; and, FIG. 2 is a front view thereof.

The broken lines in the drawings illustrate environmental subject matter only and form no part of the claimed design.

1 Claim, 2 Drawing Sheets



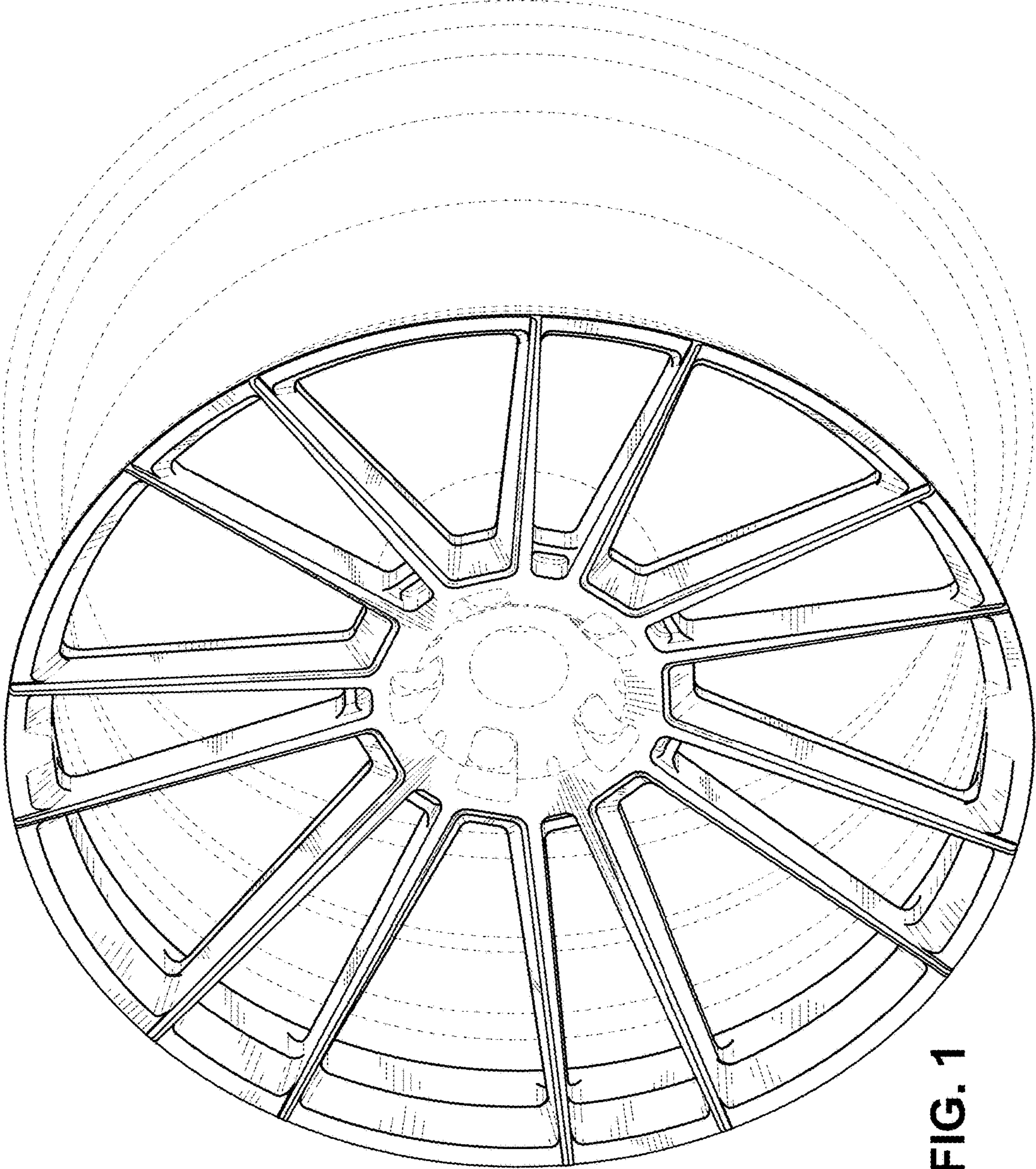


FIG. 1

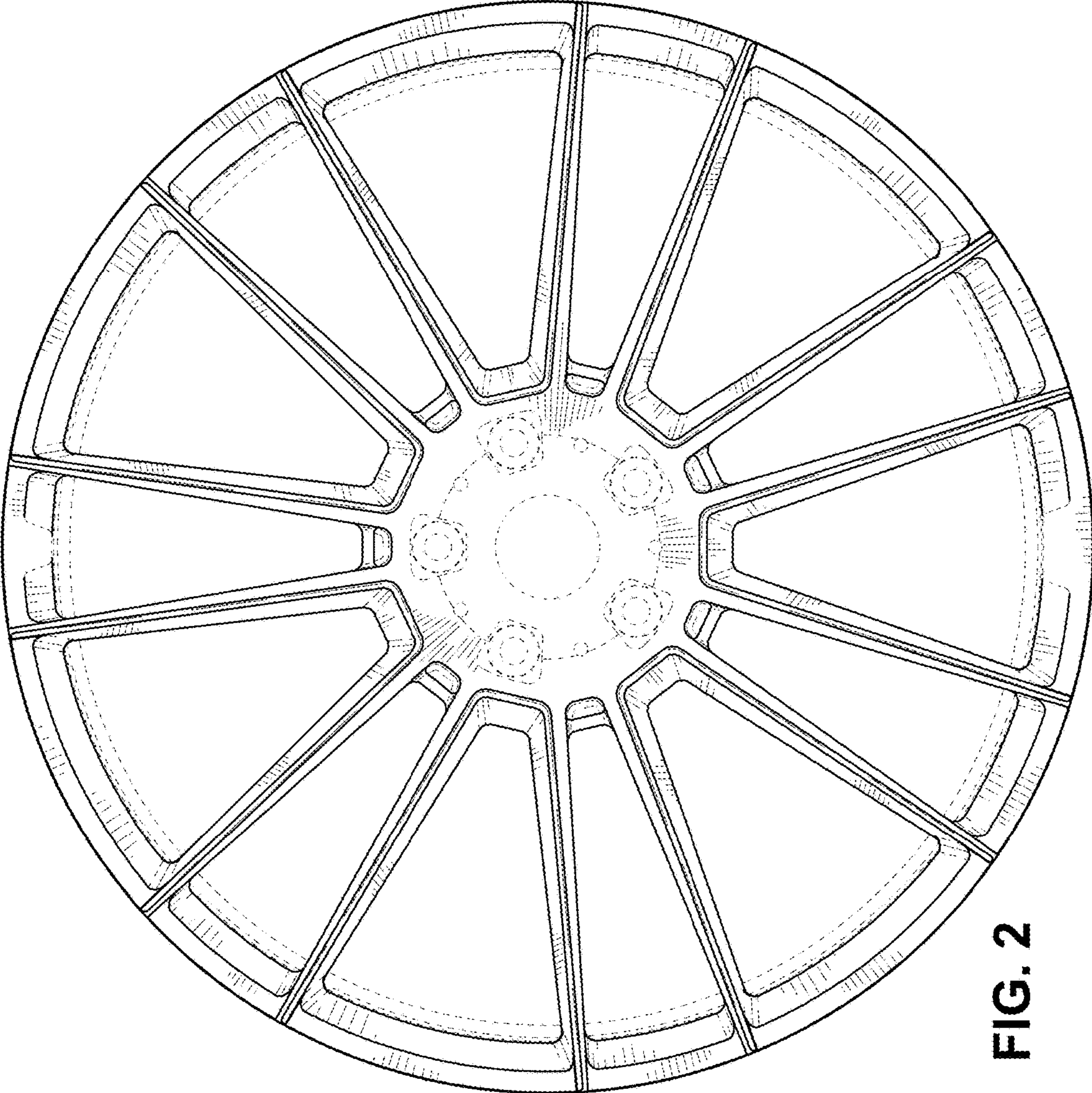


FIG. 2