

US00D866440S

(12) **United States Design Patent**
Harriton et al.

(10) **Patent No.:** **US D866,440 S**

(45) **Date of Patent:** **** Nov. 12, 2019**

(54) **WHEEL**

(71) Applicant: **StreetCar ORV, LLC**, Wixom, MI (US)

(72) Inventors: **David Harriton**, Missoula, MT (US);
Mark Stouffer, Oakland Township, MI (US)

(73) Assignee: **StreetCar ORV LLC**, Wixom, MI (US)

(**) Term: **15 Years**

(21) Appl. No.: **29/668,346**

(22) Filed: **Oct. 30, 2018**

(51) **LOC (12) Cl.** **12-16**

(52) **U.S. Cl.**
USPC **D12/210**

(58) **Field of Classification Search**
USPC D12/204–213
CPC B60B 7/00; B60B 7/02; B60B 7/04; B60B 7/01;
B60B 7/06; B60B 3/02; B60B 3/04; B60B 3/06;
B60B 3/10; B60B 1/00; B60B 1/08; B60B 1/10; B60B 1/12
See application file for complete search history.

(56) **References Cited**

U.S. PATENT DOCUMENTS

D436,910 S * 1/2001 Hale, Jr. D12/210
D451,465 S * 12/2001 Donikoglu D12/210

D492,926 S * 7/2004 Fitzgerald D12/210
D515,002 S * 2/2006 Looho D12/210
D593,475 S * 6/2009 Chung D12/210
D624,477 S * 9/2010 McMath D12/210
D664,909 S * 8/2012 Williams D12/210
D671,879 S * 12/2012 Telaak D12/209
D680,938 S * 4/2013 Hale, Jr. D12/210
D701,156 S * 3/2014 McFarlin D12/210
D705,154 S * 5/2014 Harriton D12/209
D780,086 S * 2/2017 Galante D12/210
D797,027 S * 9/2017 Guo D12/210

* cited by examiner

Primary Examiner — Stacia A Cadmus

(74) *Attorney, Agent, or Firm* — Quinn IP Law

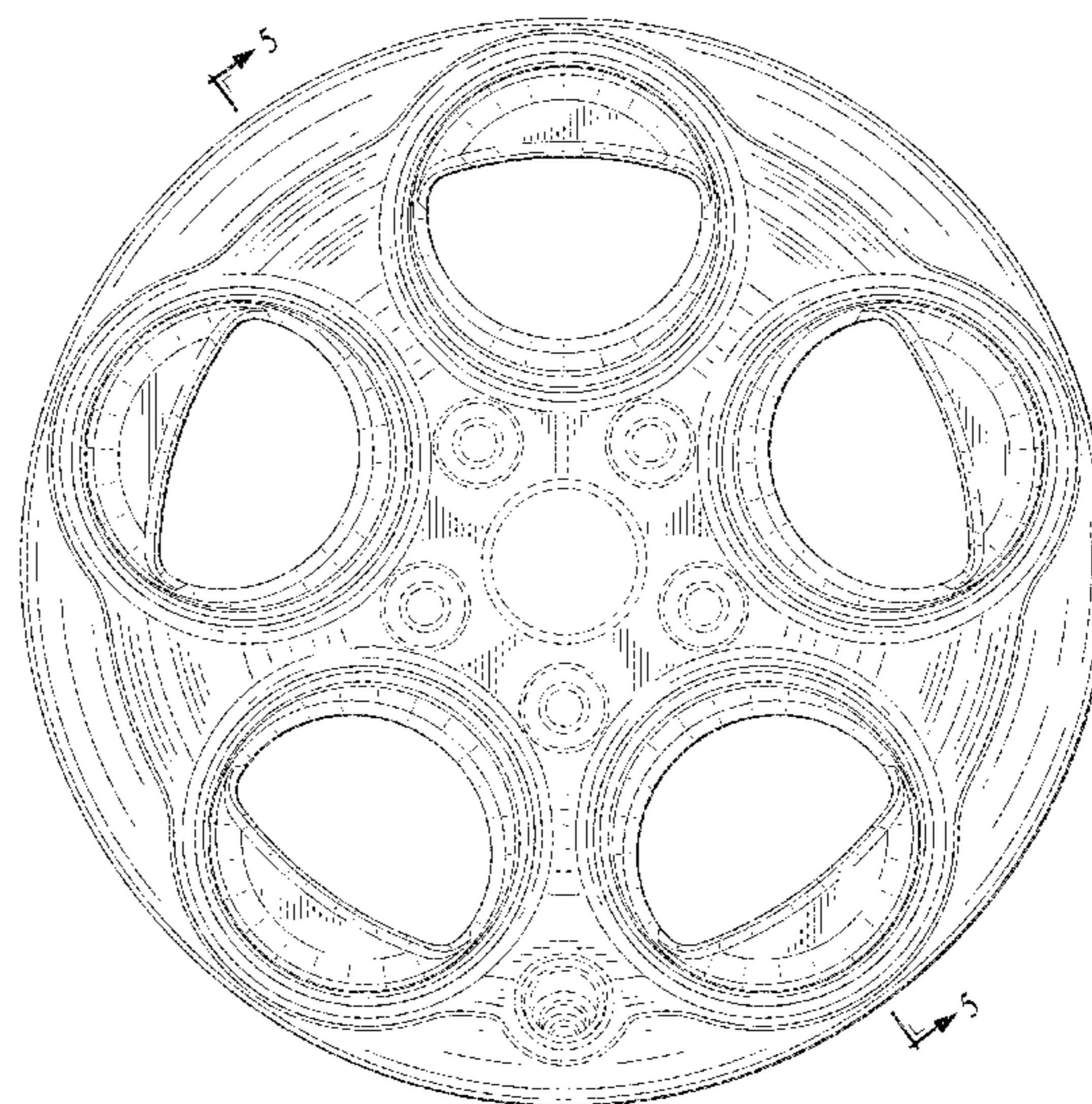
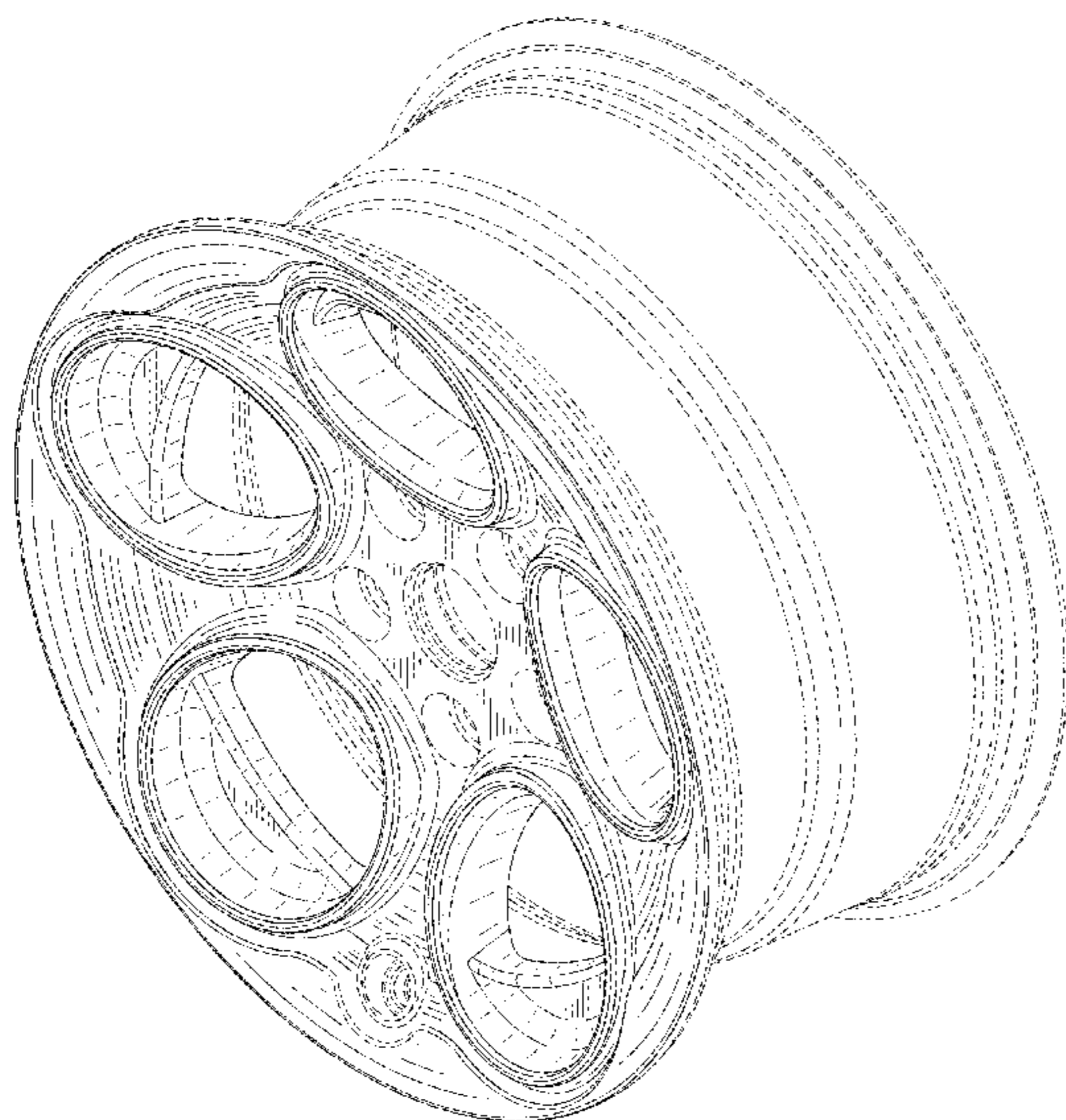
(57) **CLAIM**

The ornamental design for a wheel, as shown and described.

DESCRIPTION

FIG. 1 is a front perspective view of a wheel showing our new design;
FIG. 2 is a front view thereof;
FIG. 3 is a rear view thereof;
FIG. 4 is a left side view thereof; and,
FIG. 5 is a cross sectional view thereof taken along line 5-5 in FIG. 2.
The broken lines represent structure or features that form no part of the claimed design.

1 Claim, 5 Drawing Sheets



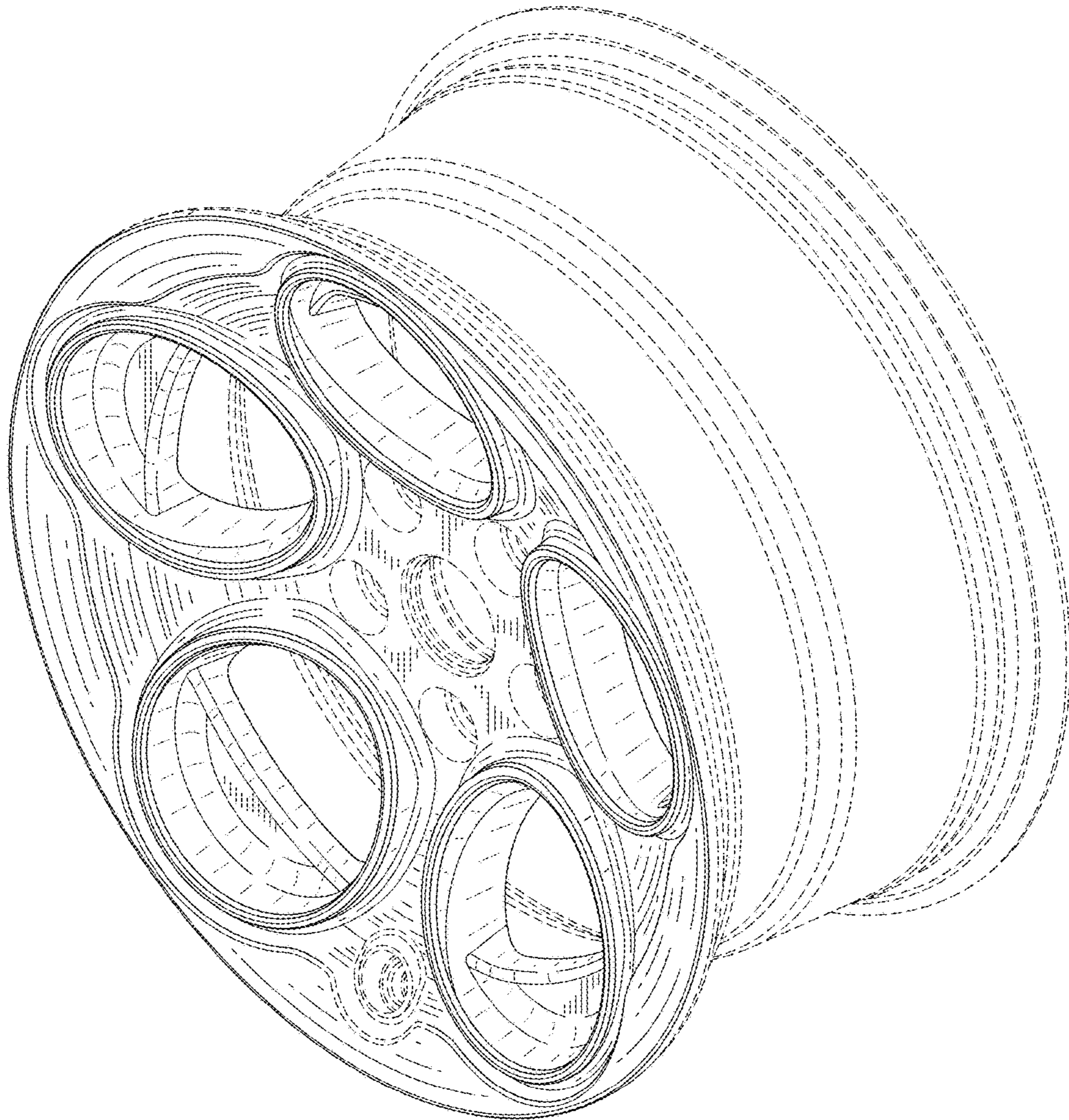


FIG. 1

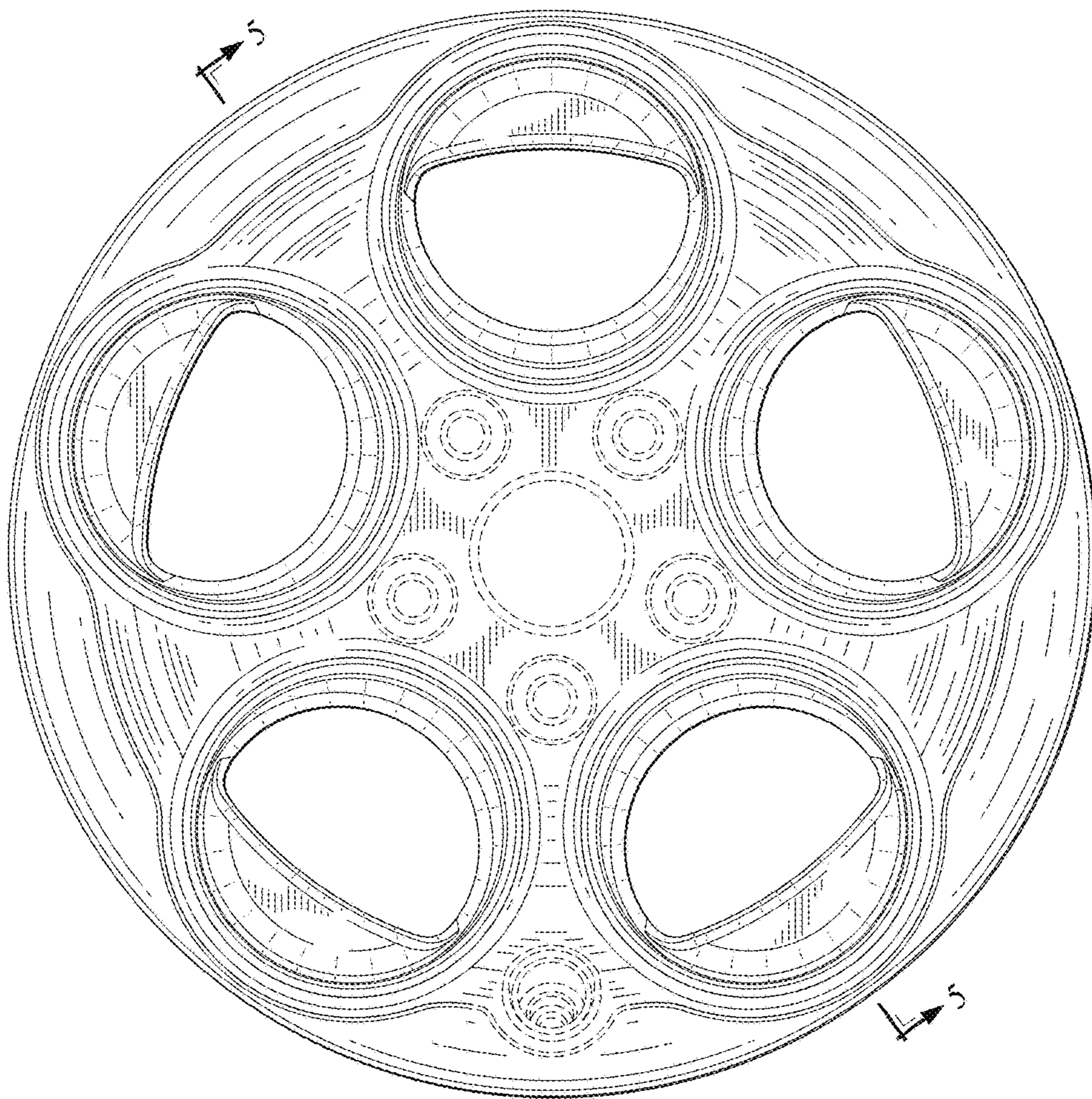


FIG. 2

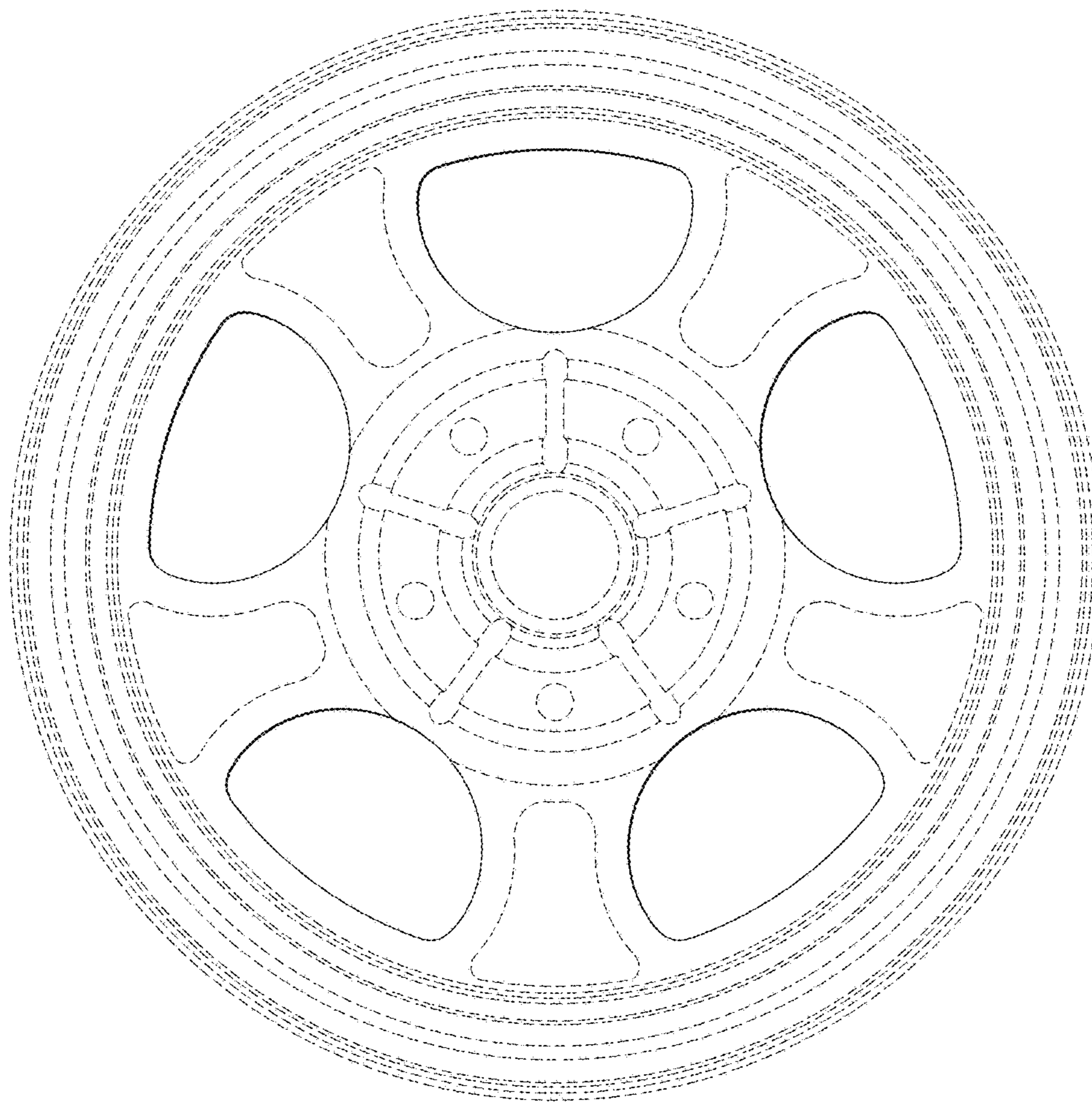


FIG. 3

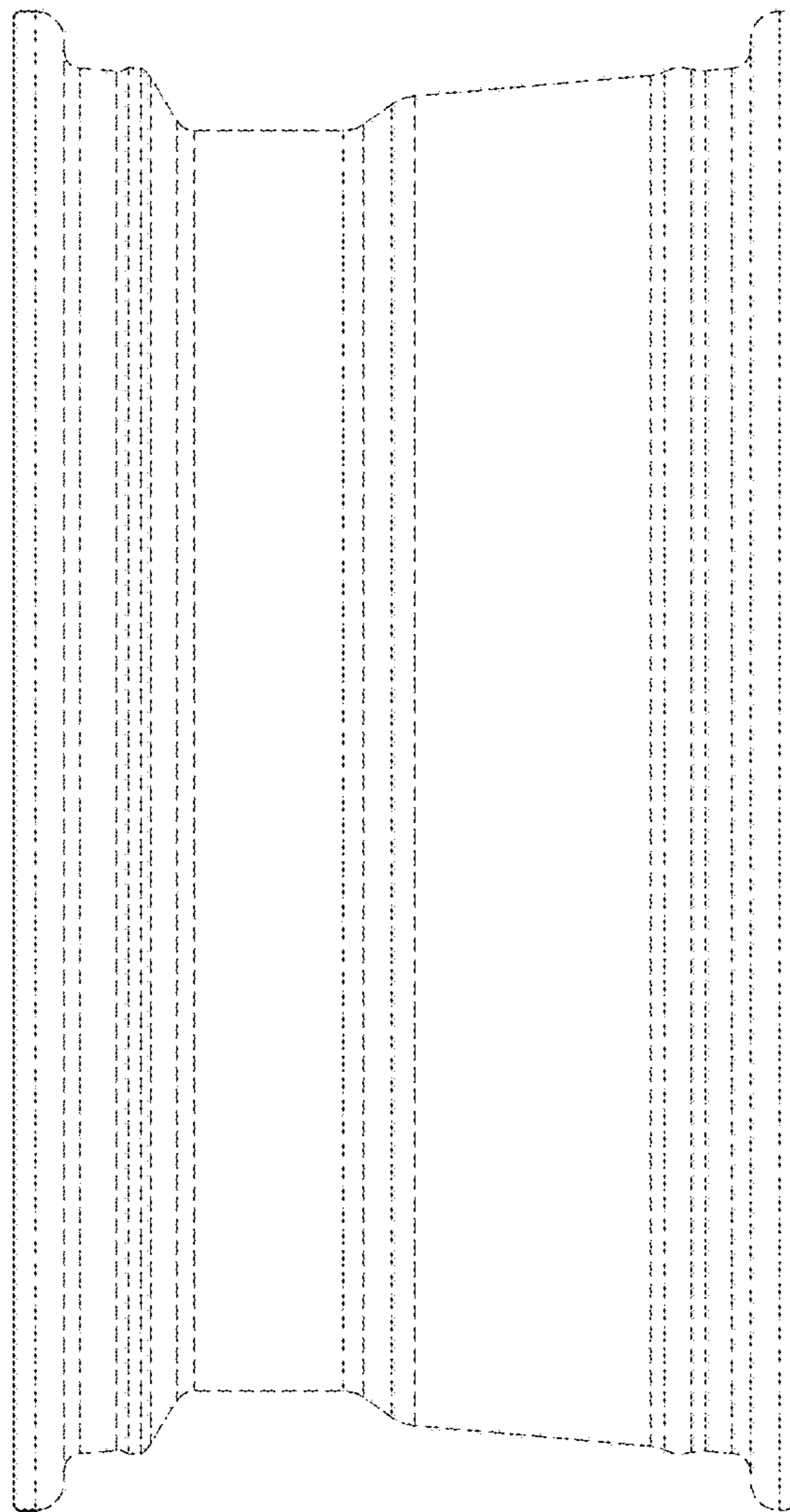


FIG. 4

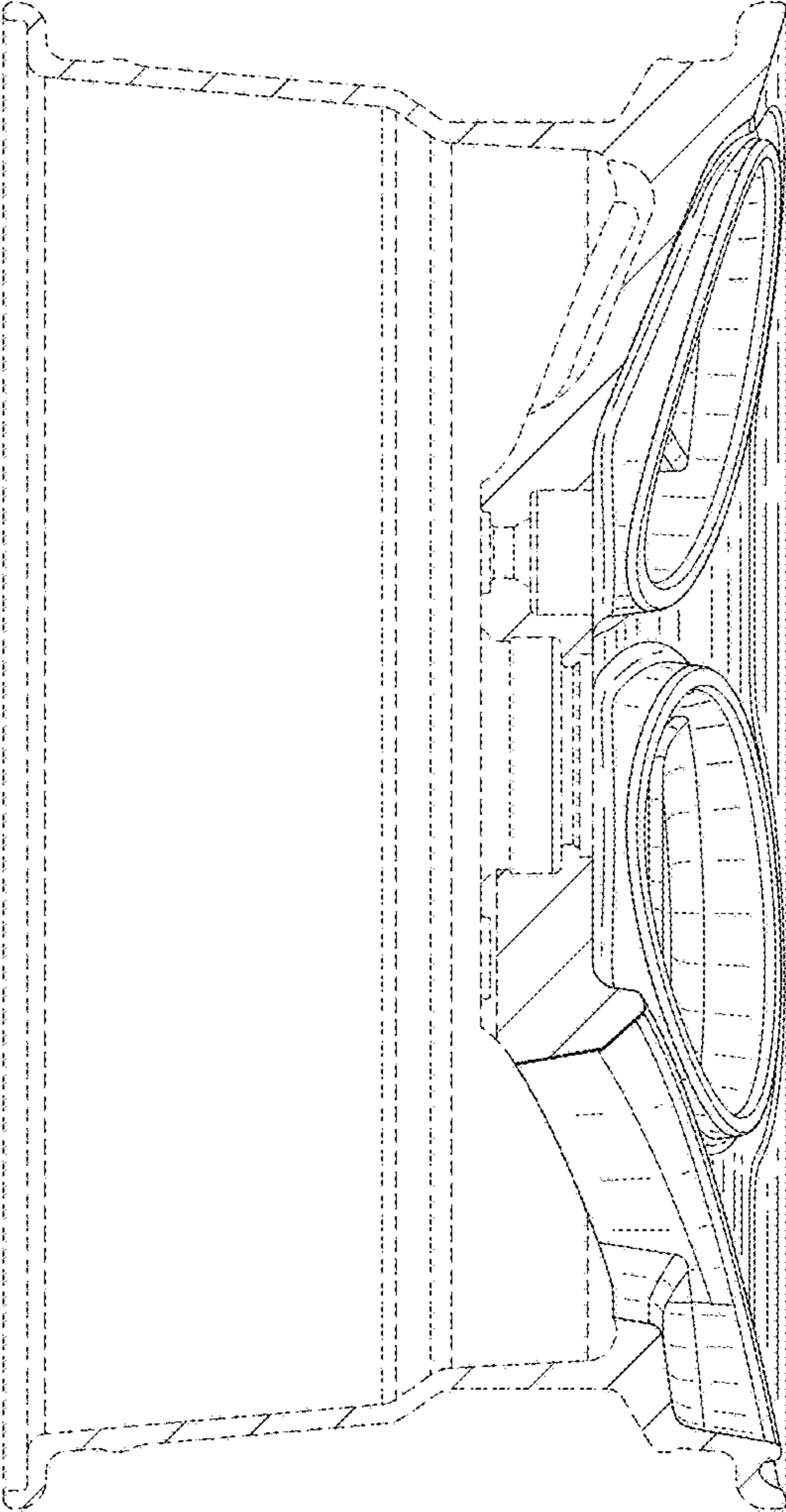


FIG. 5