

US00D866439S

(12) **United States Design Patent**
Egan

(10) **Patent No.:** **US D866,439 S**

(45) **Date of Patent:** **** Nov. 12, 2019**

(54) **WHEEL**

(71) Applicant: **Jaguar Land Rover Limited**, Whitley
Coventry (GB)

(72) Inventor: **Robert Egan**, Coventry (GB)

(73) Assignee: **Jaguar Land Rover Limited**, Whitley
Coventry (GB)

(**) Term: **15 Years**

(21) Appl. No.: **29/683,566**

(22) Filed: **Mar. 14, 2019**

Related U.S. Application Data

(62) Division of application No. 29/637,173, filed on Feb.
14, 2018, now Pat. No. Des. 847,069.

(30) **Foreign Application Priority Data**

Feb. 13, 2018 (EM) 004707173

(51) **LOC (12) Cl.** **12-16**

(52) **U.S. Cl.**
USPC **D12/209**

(58) **Field of Classification Search**
USPC D12/204-213
CPC B60B 7/00; B60B 7/02; B60B 7/04; B60B
7/01; B60B 7/06; B60B 3/04; B60B 1/00;
B60B 3/10; B60B 1/10; B60B 1/08;
B60B 3/06; B60B 1/12; B60B 3/02
See application file for complete search history.

(56) **References Cited**

U.S. PATENT DOCUMENTS

D528,957 S * 9/2006 Kim D12/209
D568,800 S * 5/2008 Huet D12/211
D666,953 S * 9/2012 Pollmann D12/209

D710,779 S * 8/2014 Zhang D12/209
D718,207 S * 11/2014 Grake D12/211
D720,675 S * 1/2015 Garbas D12/209
D732,450 S * 6/2015 Guille D12/209
D740,193 S * 10/2015 Battams D12/209
D740,194 S * 10/2015 Valencia Pollex D12/209
D746,208 S * 12/2015 Battams D12/209
D751,015 S * 3/2016 Mahoney D12/209
D761,179 S * 7/2016 Chung D12/209
D763,165 S * 8/2016 Hans D12/211
D777,639 S * 1/2017 Krause D12/209
D780,085 S * 2/2017 Bjerke D12/209
D788,675 S * 6/2017 Kippes D12/209
D788,681 S * 6/2017 Juergens D12/211
D793,319 S * 8/2017 Namba D12/209
D806,632 S * 1/2018 Peat D12/211
D820,761 S * 6/2018 Badstuebner D12/211
D823,770 S * 7/2018 Koenigs D12/209
D828,268 S * 9/2018 Nakamura D12/209
D847,069 S * 4/2019 Egan D12/209

* cited by examiner

Primary Examiner — Stacia A Cadmus

(74) *Attorney, Agent, or Firm* — Wood Herron & Evans
LLP

(57) **CLAIM**

The ornamental design for a wheel, as shown and described.

DESCRIPTION

FIG. 1 is a front left perspective view of a wheel according
to the present invention.

FIG. 2 is a front right perspective view of the wheel shown
in FIG. 1.

FIG. 3 is a front view thereof.

FIG. 4 is a left side view thereof, the right side view being
a mirror image thereof.

FIG. 5 is a rear view thereof.

FIG. 6 is a rear right perspective view thereof; and,

FIG. 7 is a rear left perspective view thereof.

1 Claim, 5 Drawing Sheets

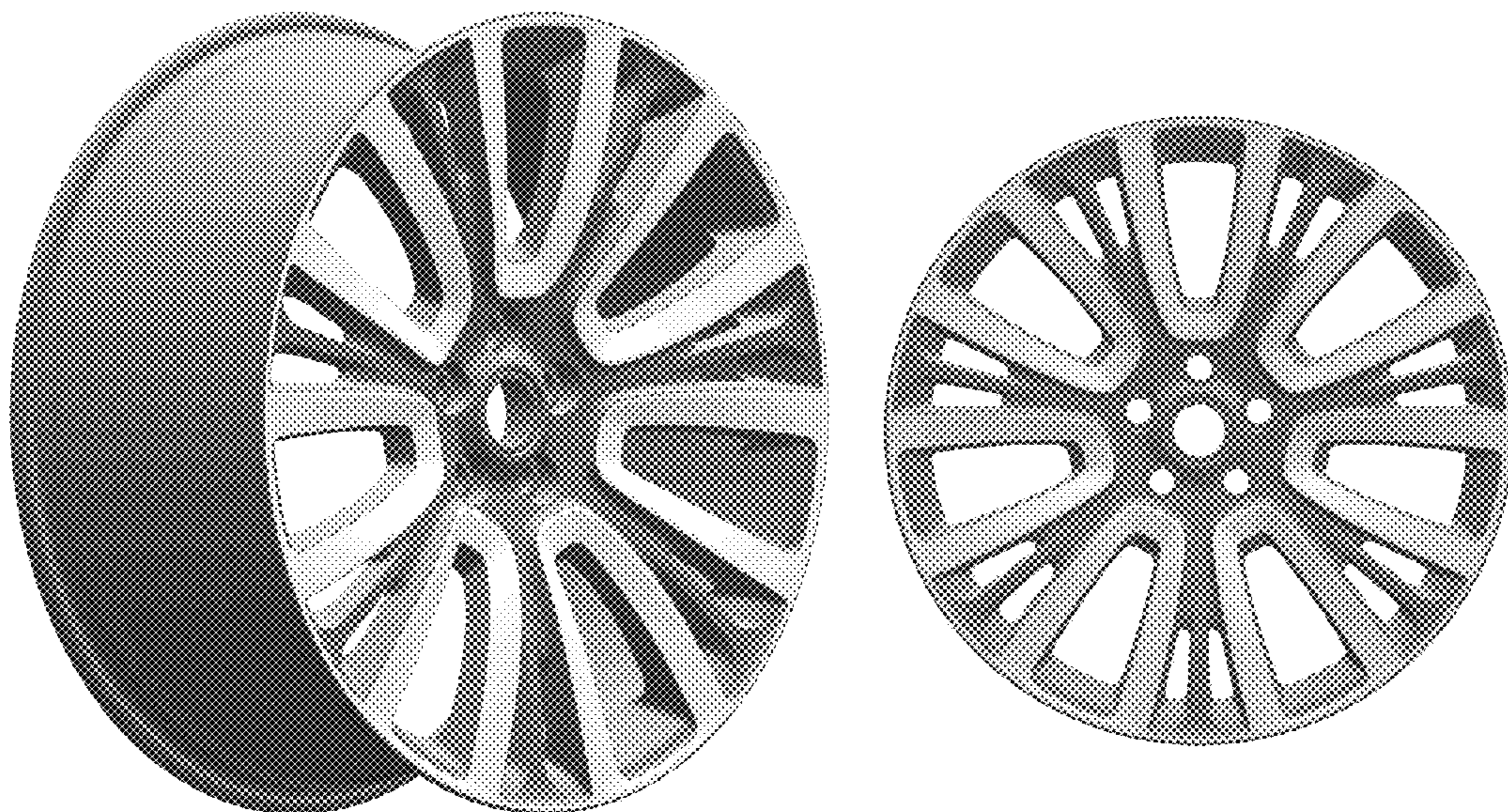




FIG. 1



FIG. 2

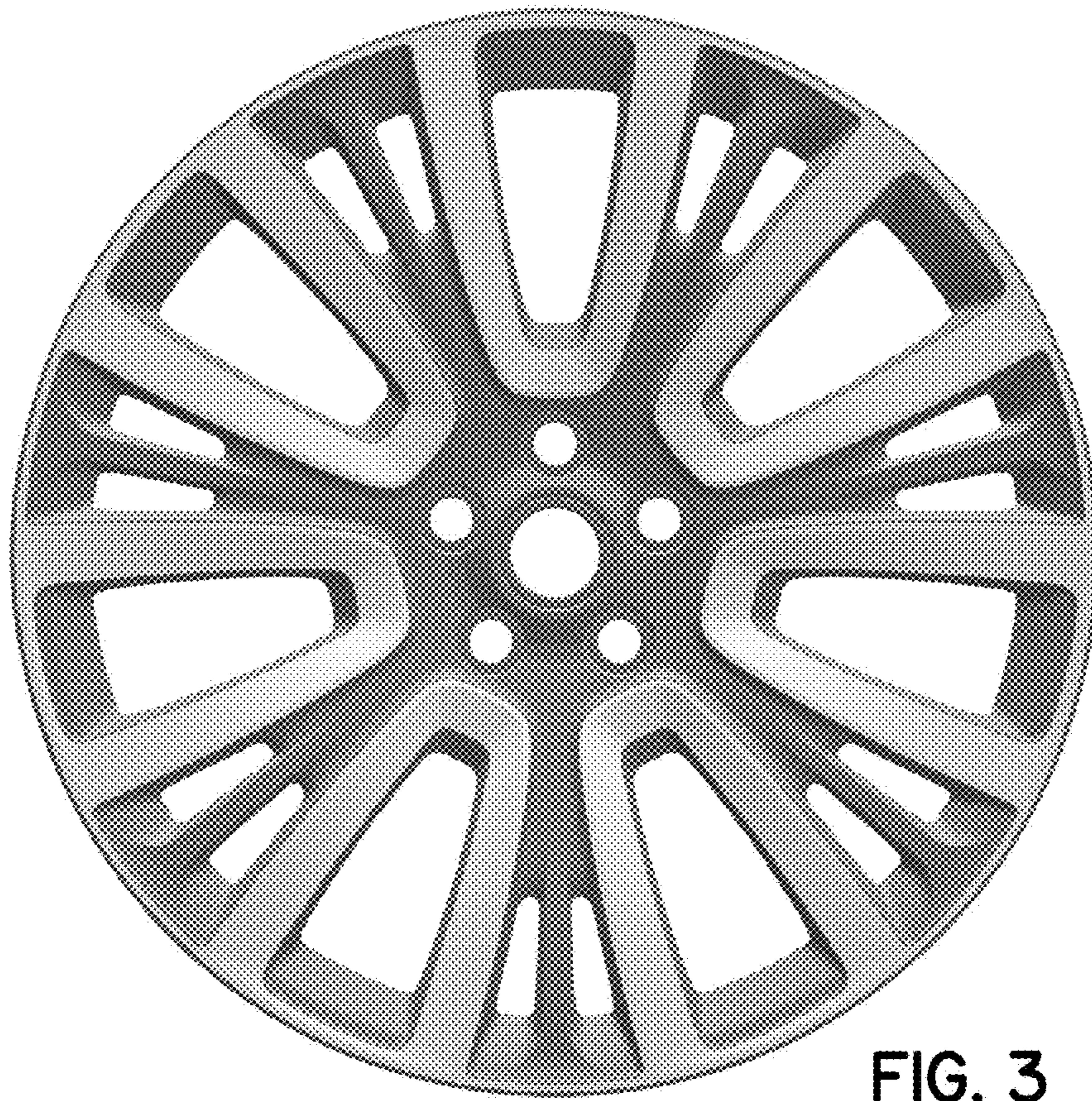


FIG. 3

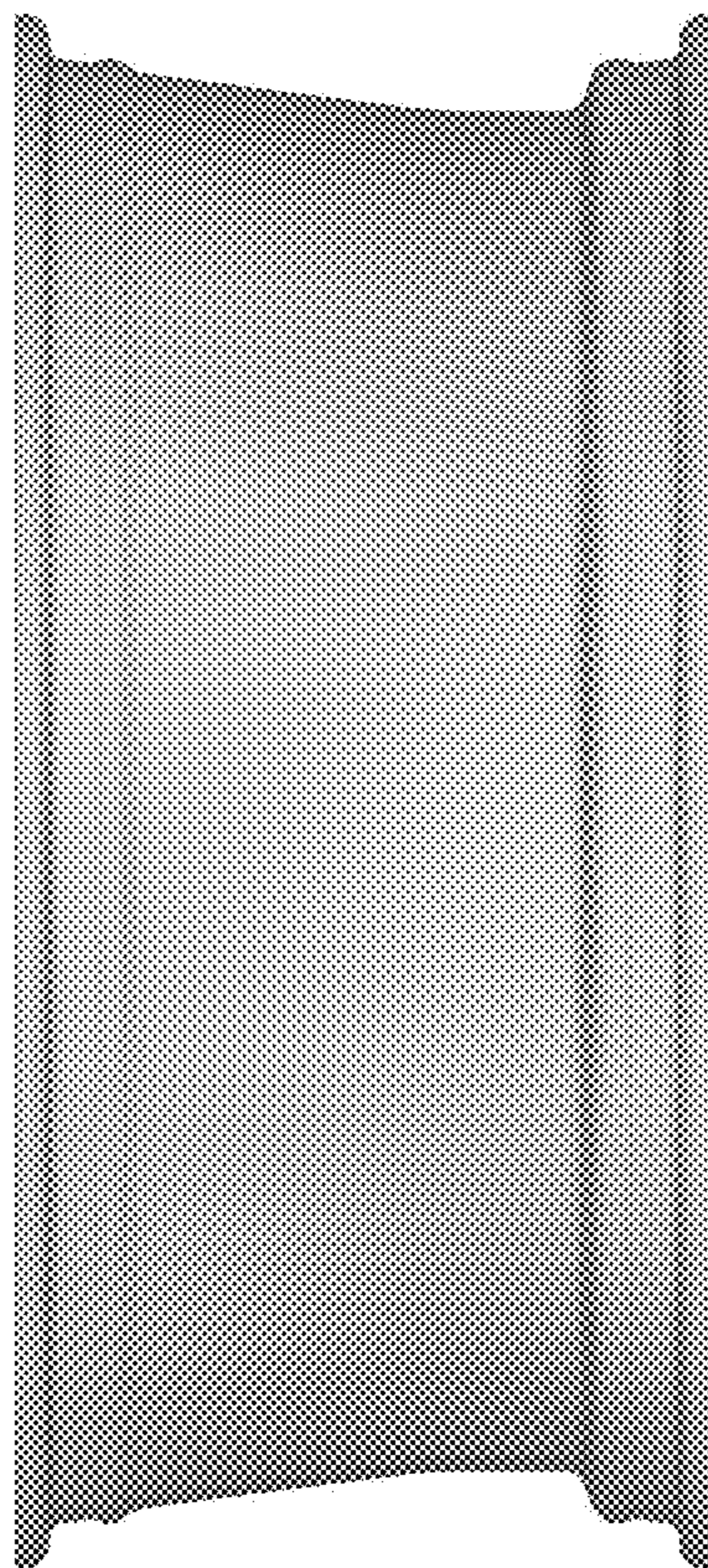


FIG. 4

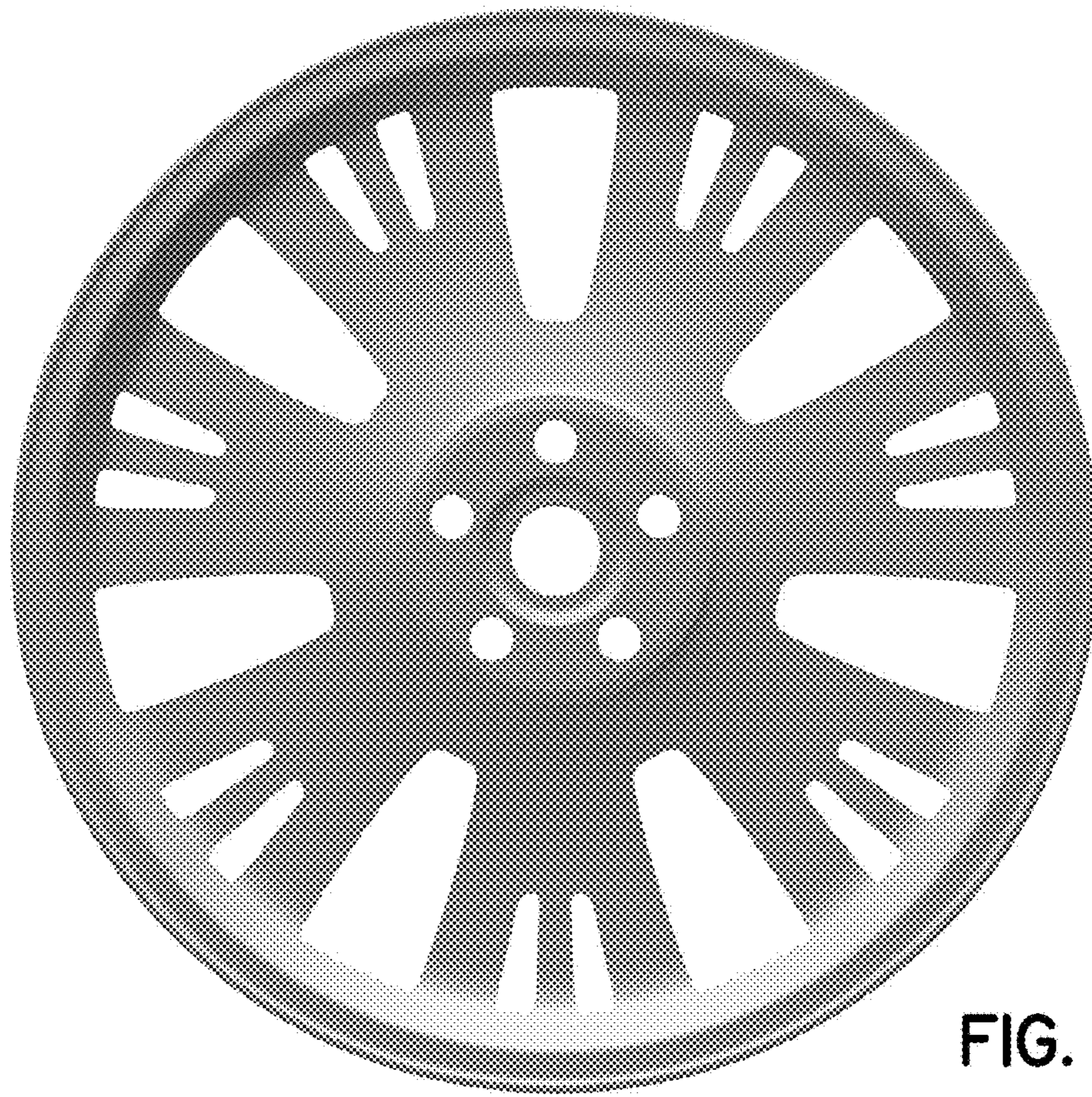


FIG. 5

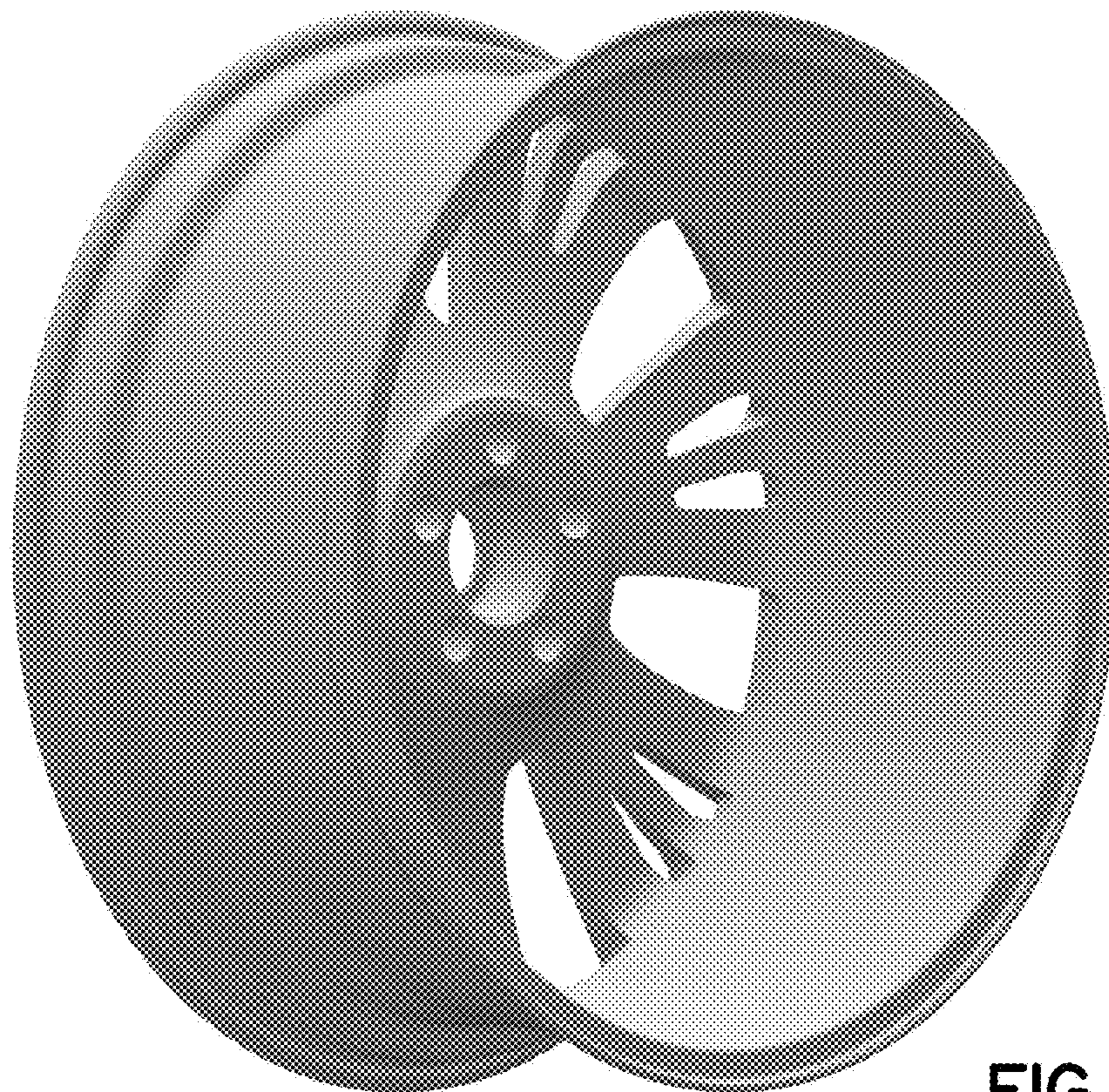


FIG. 6

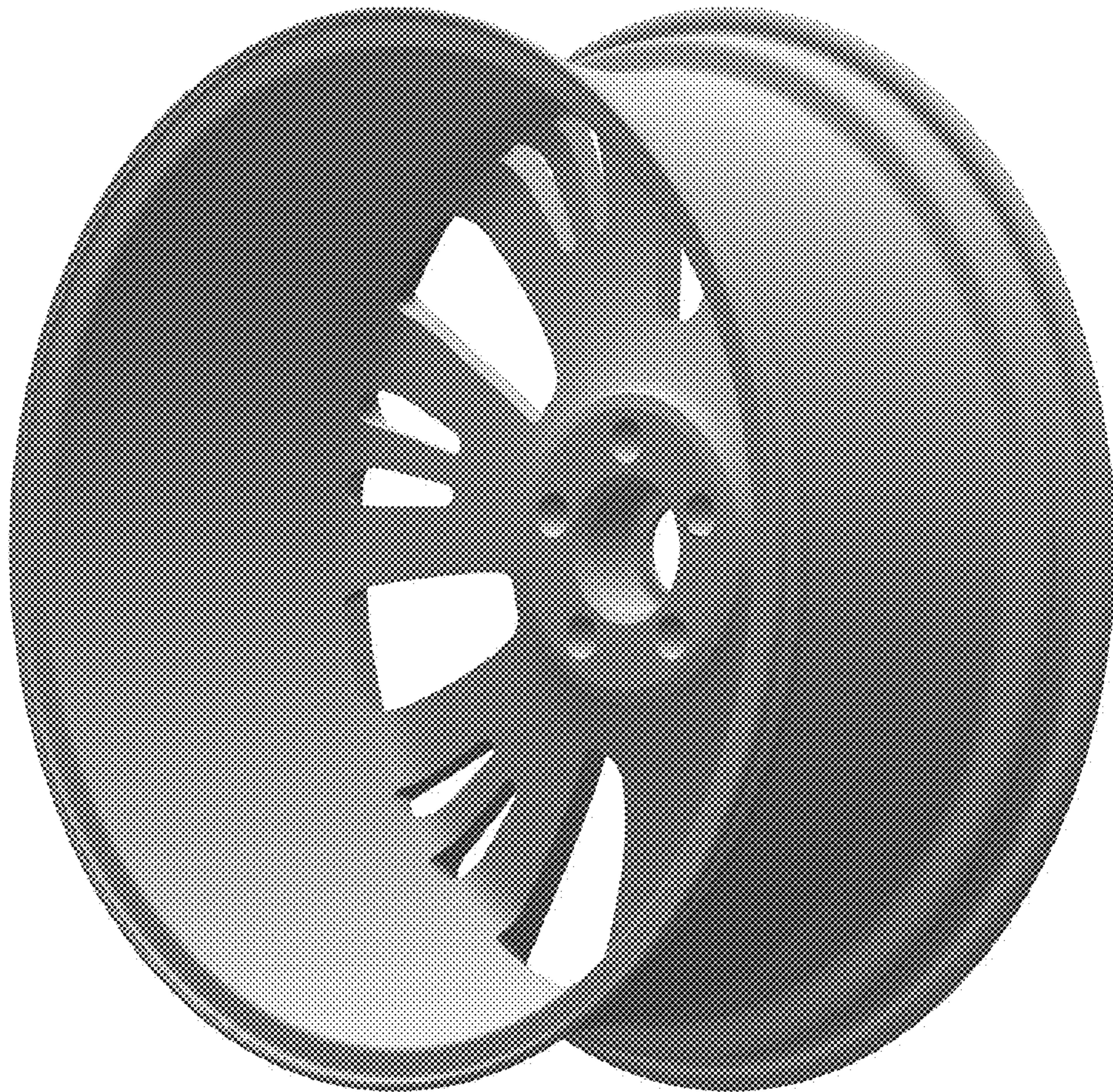


FIG. 7