



US00D866438S

(12) **United States Design Patent**
Egan

(10) **Patent No.:** **US D866,438 S**

(45) **Date of Patent:** **** Nov. 12, 2019**

(54) **WHEEL**

(71) Applicant: **Jaguar Land Rover Limited**, Whitley
Coventry (GB)

(72) Inventor: **Robert Egan**, Whitley Coventry (GB)

(73) Assignee: **Jaguar Land Rover Limited**, Whitley,
Coventry (GB)

(**) Term: **15 Years**

(21) Appl. No.: **29/683,408**

(22) Filed: **Mar. 13, 2019**

Related U.S. Application Data

(62) Division of application No. 29/622,920, filed on Oct.
20, 2017, now Pat. No. Des. 847,064.

(30) **Foreign Application Priority Data**

Apr. 21, 2017 (EM) 003866979

(51) **LOC (12) Cl.** **12-16**

(52) **U.S. Cl.**
USPC **D12/209**

(58) **Field of Classification Search**

USPC D12/204–213
CPC B60B 7/00; B60B 7/02; B60B 7/04; B60B
7/01; B60B 7/06; B60B 3/04; B60B 1/00;
B60B 3/10; B60B 1/10; B60B 1/08;
B60B 3/06; B60B 1/12; B60B 3/02

See application file for complete search history.

(56) **References Cited**

U.S. PATENT DOCUMENTS

D567,738 S * 4/2008 Habib D12/211
D622,649 S * 8/2010 Weil D12/209

D624,862 S * 10/2010 Zhao D12/209
D635,499 S * 4/2011 Nissl D12/211
D655,659 S * 3/2012 Schweizer D12/209
D666,953 S * 9/2012 Pollmann D12/209
D671,476 S * 11/2012 Pinel D12/209
D683,297 S * 5/2013 Juergens D12/211
D683,685 S * 6/2013 Pollmann D12/211
D706,694 S * 6/2014 Wheel D12/209
D710,779 S * 8/2014 Zhang D12/209
D720,274 S * 12/2014 Mielke D12/211
D732,450 S * 6/2015 Guille D12/209
D739,328 S * 9/2015 Buck D12/209
D740,193 S * 10/2015 Battams D12/209
D776,594 S * 1/2017 Rueckheim D12/209
D847,064 S * 4/2019 Egan D12/209

* cited by examiner

Primary Examiner — Stacia A Cadmus

(74) *Attorney, Agent, or Firm* — Wood Herron & Evans
LLP

(57) **CLAIM**

The ornamental design for a wheel, as shown and described.

DESCRIPTION

FIG. 1 is a front left perspective view of a wheel for a vehicle
according to the present invention.

FIG. 2 is a front right perspective view of the wheel shown
in FIG. 1.

FIG. 3 is a front view thereof.

FIG. 4 is a left side view thereof, the right side being a mirror
image thereof.

FIG. 5 is a rear view thereof.

FIG. 6 is a rear right perspective view thereof; and,

FIG. 7 is a rear left perspective view thereof.

1 Claim, 5 Drawing Sheets

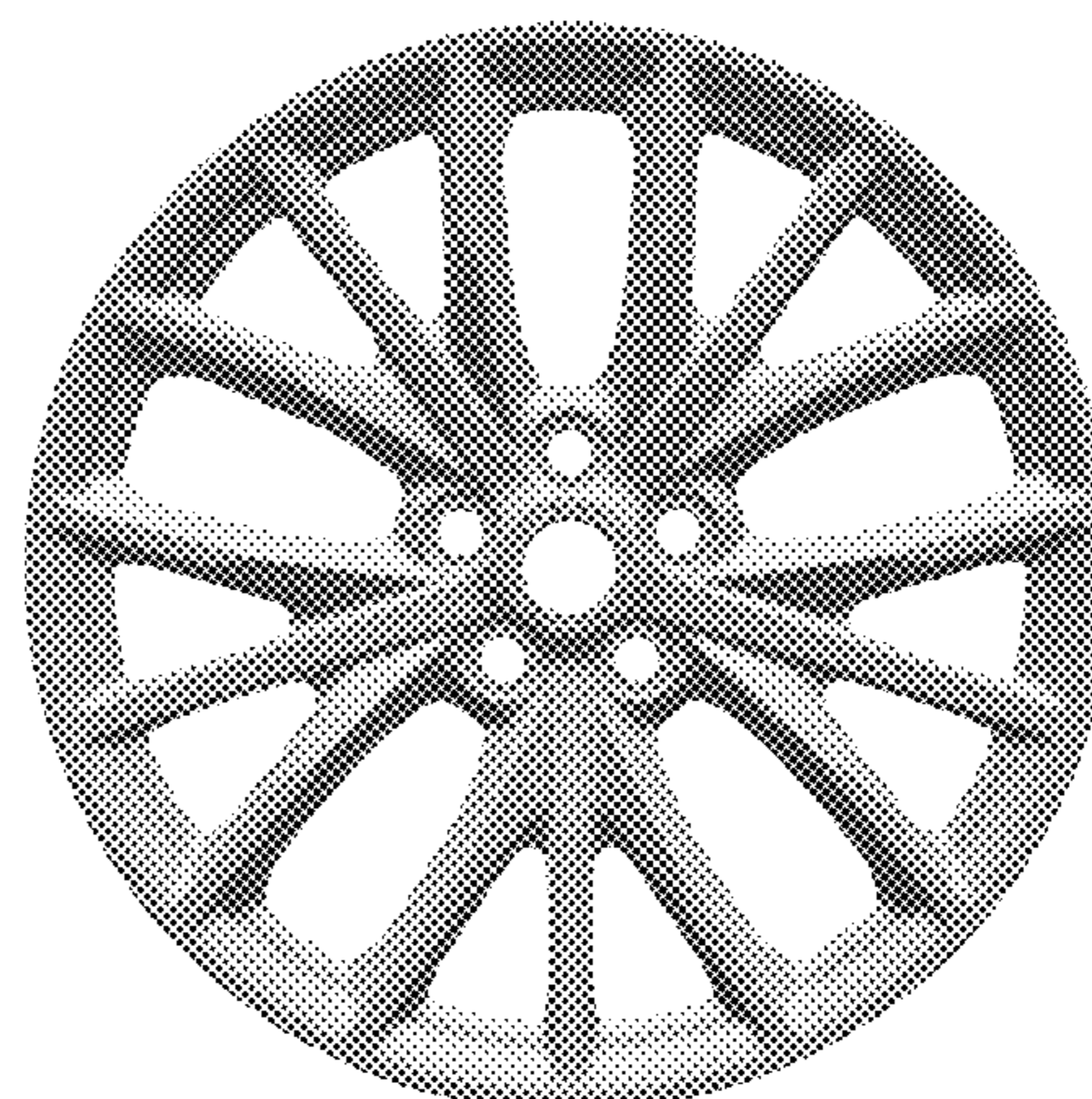




FIG. 1



FIG. 2

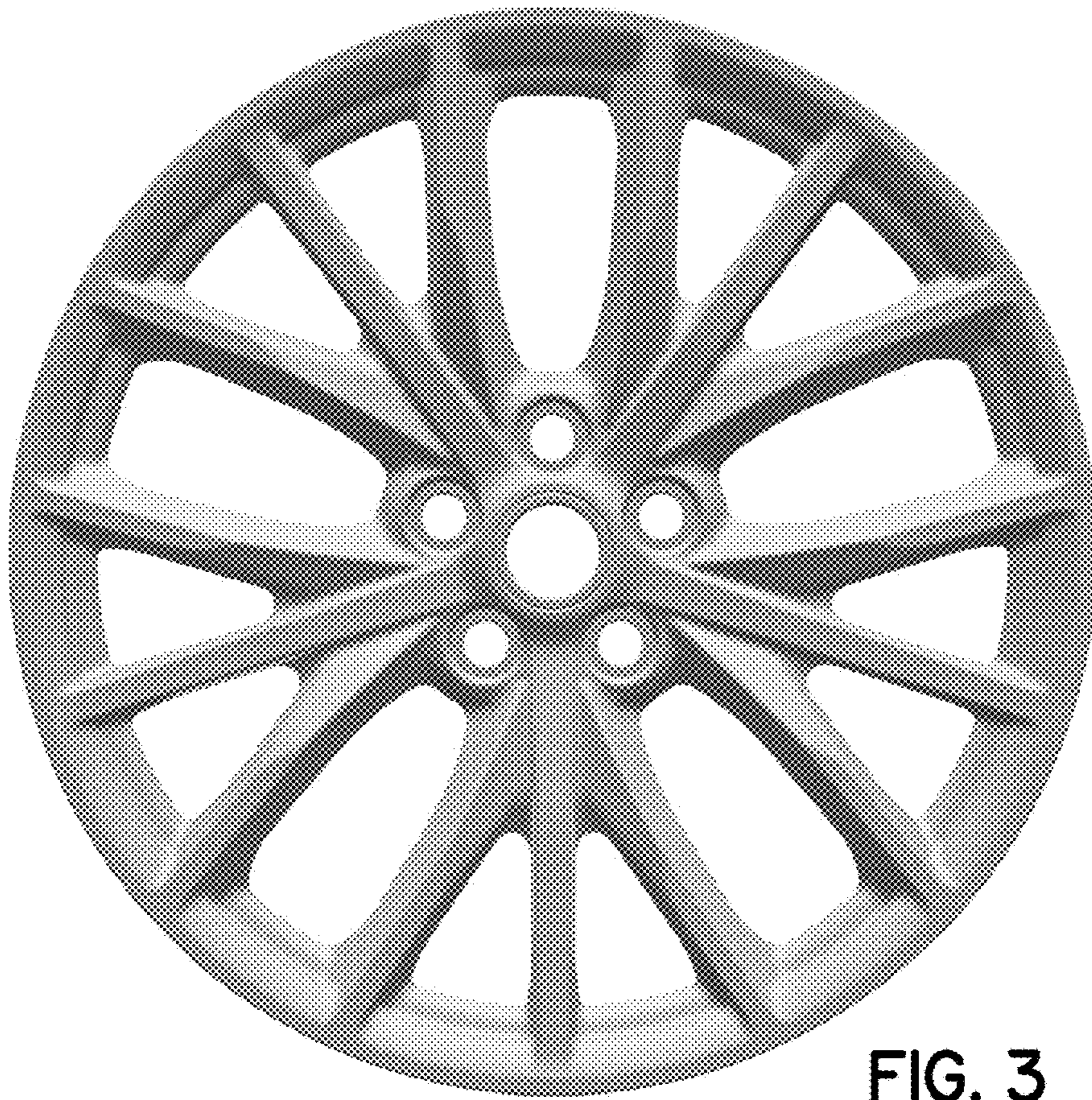


FIG. 3

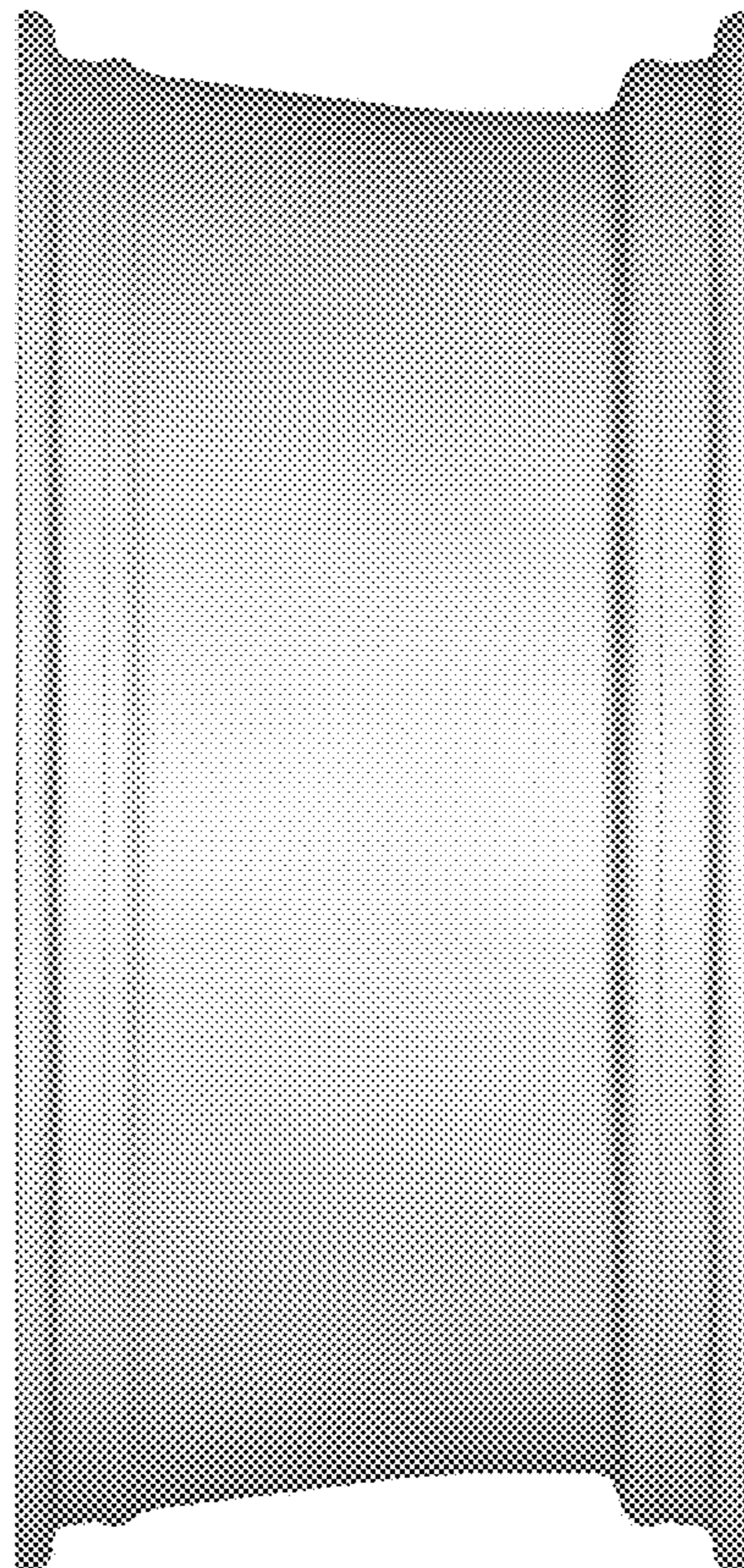


FIG. 4

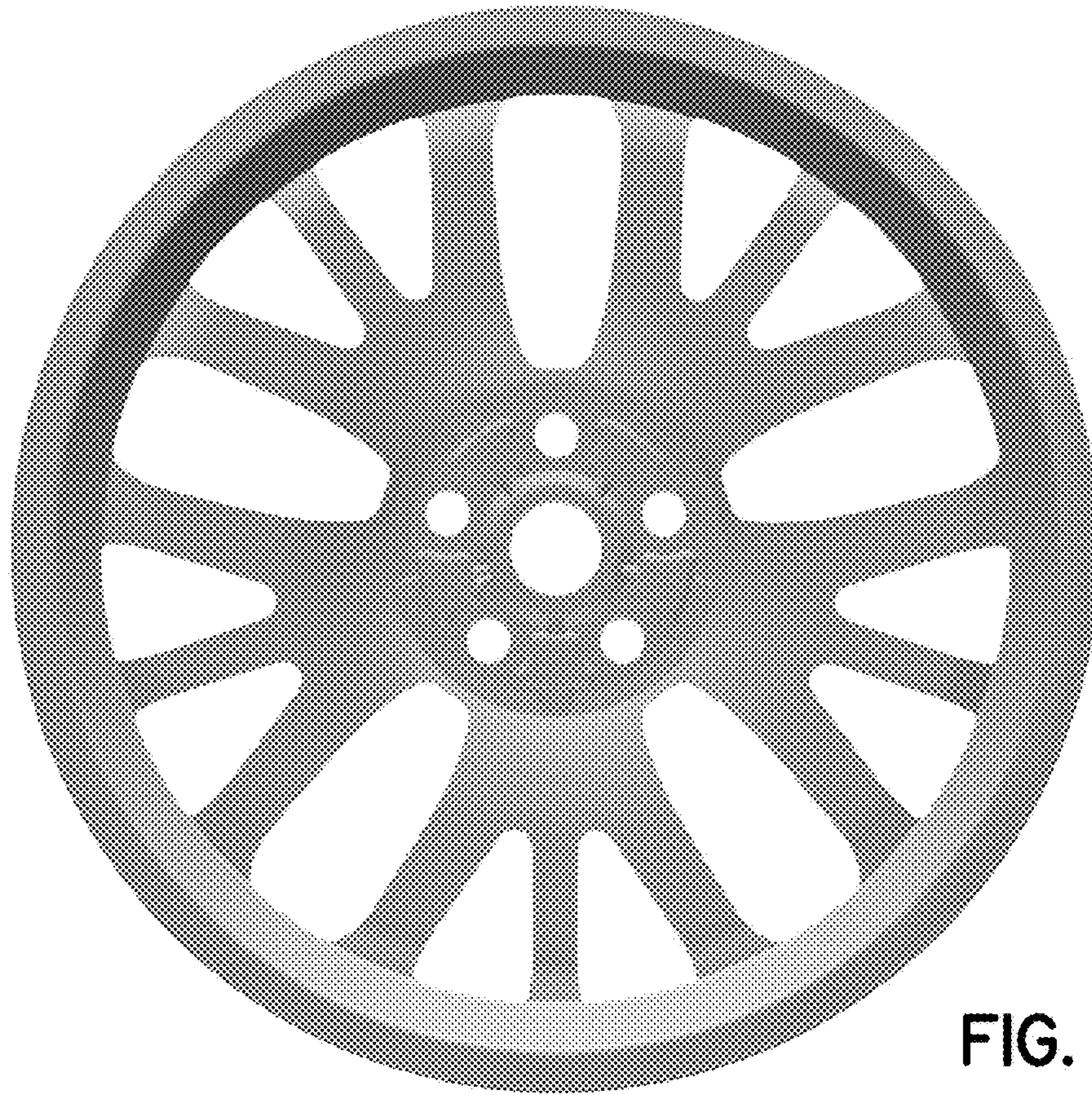


FIG. 5



FIG. 6



FIG. 7