



US00D866436S

(12) **United States Design Patent**
Interrante

(10) **Patent No.:** **US D866,436 S**

(45) **Date of Patent:** **** Nov. 12, 2019**

(54) **WHEEL**

(71) Applicant: **OE WHEEL WORKS, LLC**, Milton, GA (US)

(72) Inventor: **Joseph B. Interrante**, Milton, GA (US)

(73) Assignee: **OE Wheel Works, LLC**, Milton, GA (US)

(**) Term: **15 Years**

(21) Appl. No.: **29/667,956**

(22) Filed: **Oct. 25, 2018**

(51) **LOC (12) Cl.** **12-16**

(52) **U.S. Cl.**
USPC **D12/209**

(58) **Field of Classification Search**
USPC D12/204–213
CPC B60B 7/00; B60B 7/02; B60B 7/04; B60B 7/01; B60B 7/06; B60B 3/02; B60B 3/04; B60B 3/06; B60B 3/10; B60B 1/00; B60B 1/08; B60B 1/10; B60B 1/12
See application file for complete search history.

(56) **References Cited**

U.S. PATENT DOCUMENTS

D395,031 S * 6/1998 Timm D12/209
D416,847 S * 11/1999 Couzyn D12/209

D455,701 S * 4/2002 McMath D12/209
D458,205 S * 6/2002 McCowin D12/209
D495,651 S * 9/2004 Chung D12/209
D529,430 S * 10/2006 Hsu D12/209
D590,758 S * 4/2009 Chen D12/209
D649,101 S * 11/2011 Hale, Jr. D12/209
D683,292 S * 5/2013 Woolley D12/209
D700,566 S * 3/2014 Ichikawa D12/209
D726,620 S * 4/2015 Lickliter D12/209
D787,405 S * 5/2017 Nakamura D12/209
D833,361 S * 11/2018 Han D12/209
D842,206 S * 3/2019 Rueckheim D12/209

* cited by examiner

Primary Examiner — Stacia A Cadmus

(74) *Attorney, Agent, or Firm* — OhanianIP Law Firm; H. Artoush Ohanian; Brett T. Cooke

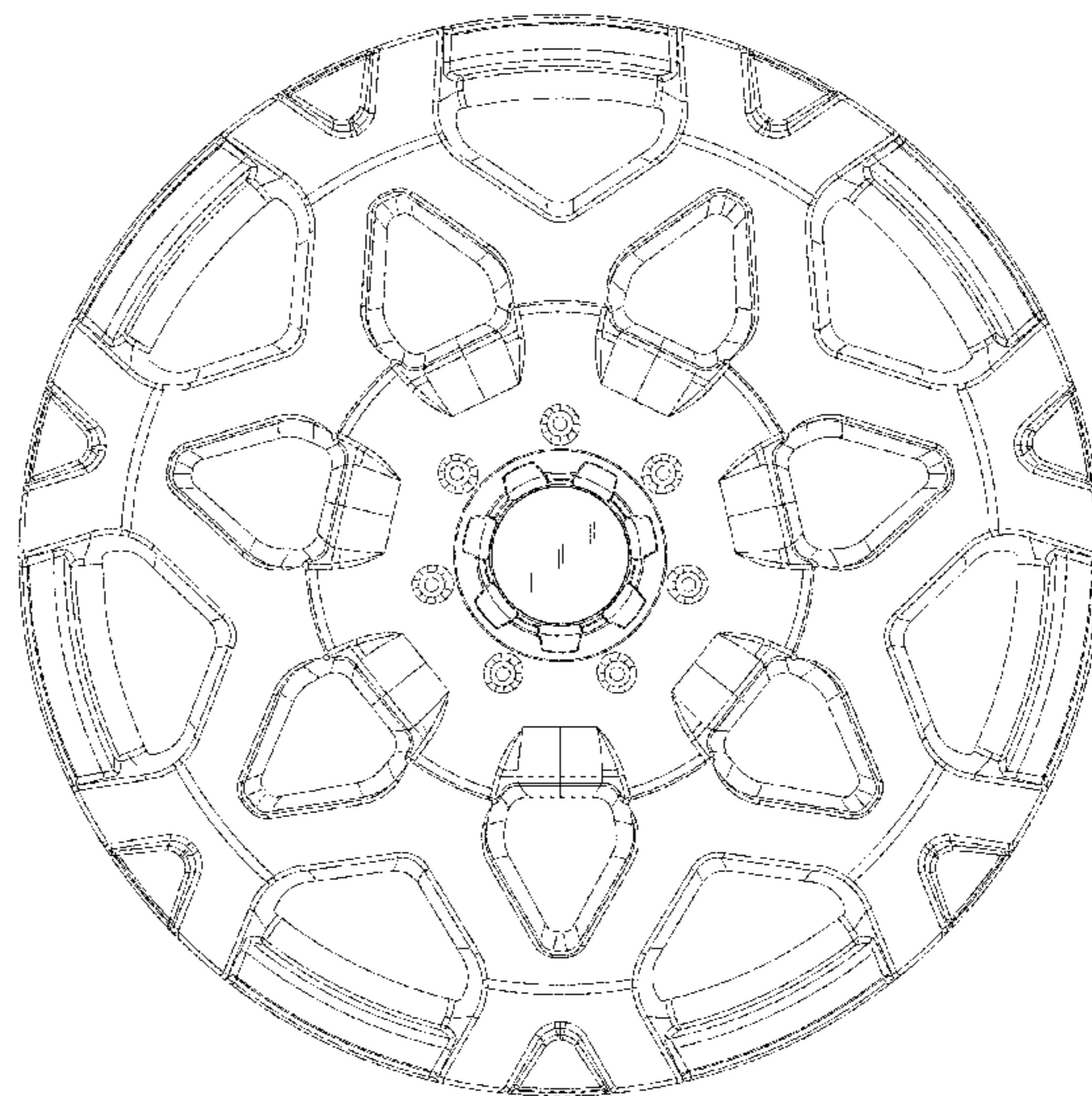
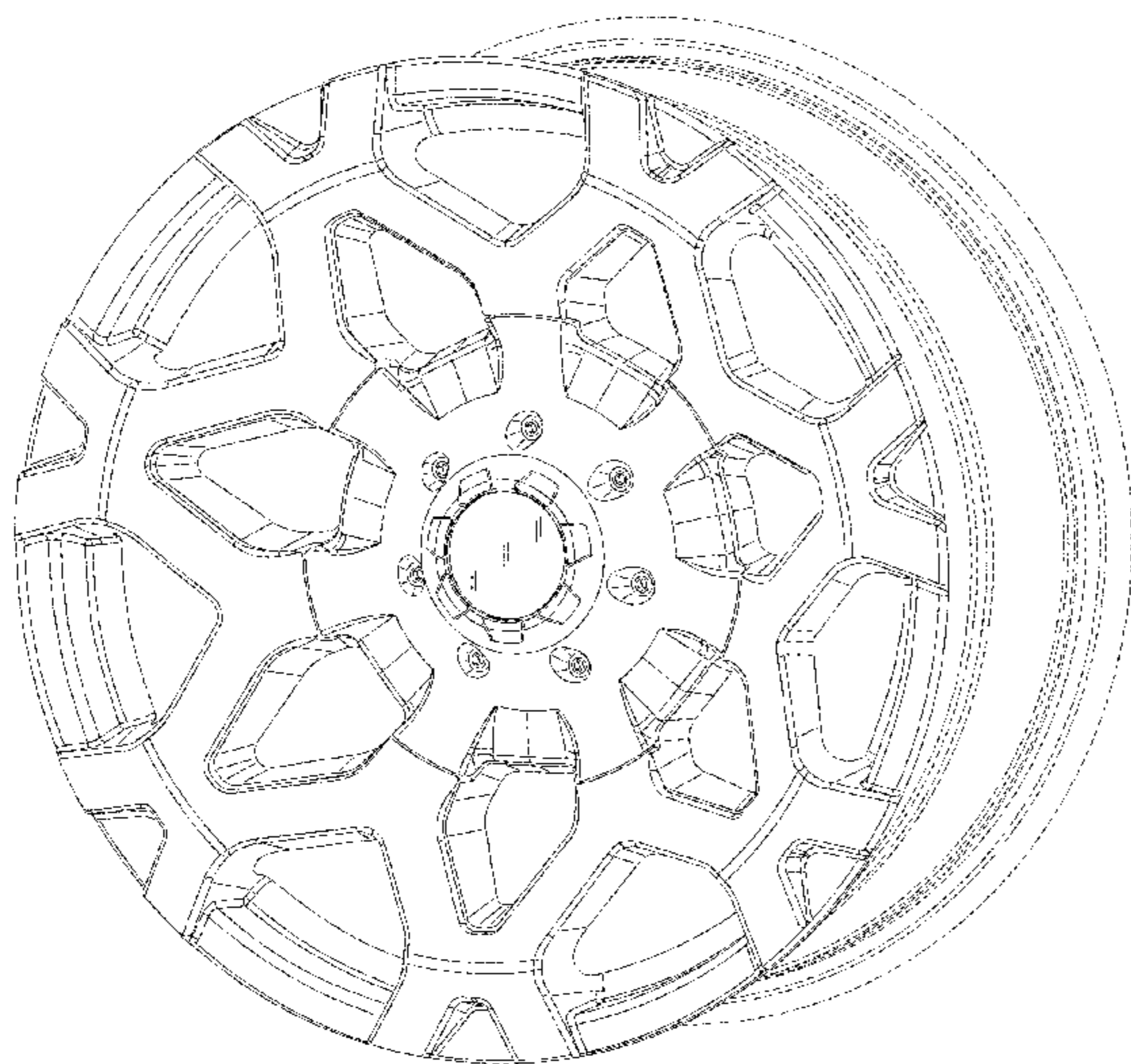
(57) **CLAIM**

The ornamental design for a wheel, as shown and described.

DESCRIPTION

FIG. 1 is a perspective view of a wheel showing my new design;
FIG. 2 is a front view thereof; and,
FIG. 3 is an exploded perspective view thereof.
In the drawings, the broken lines depict environmental subject matter and form no part of the claimed design.

1 Claim, 3 Drawing Sheets



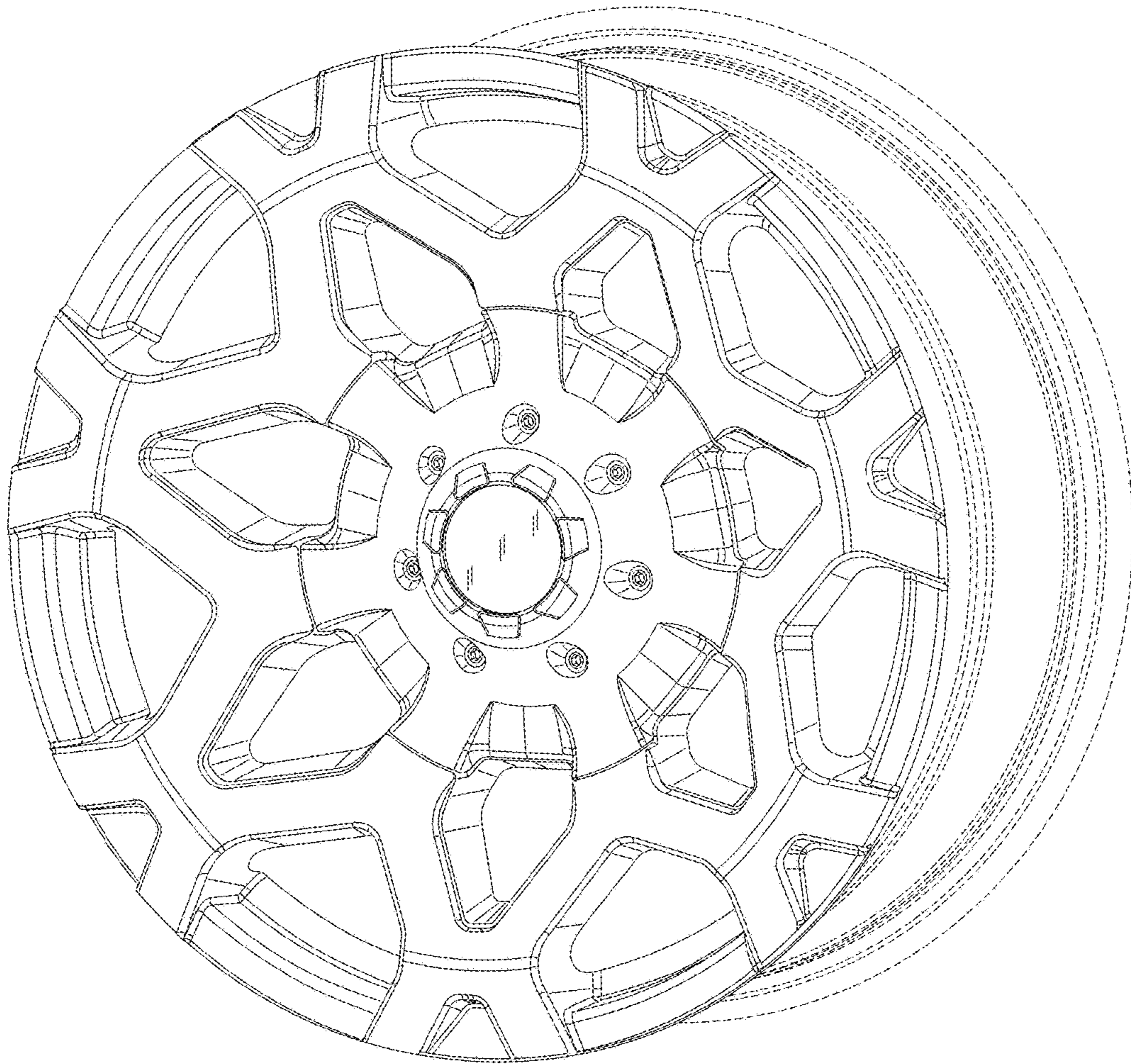


FIG. 1

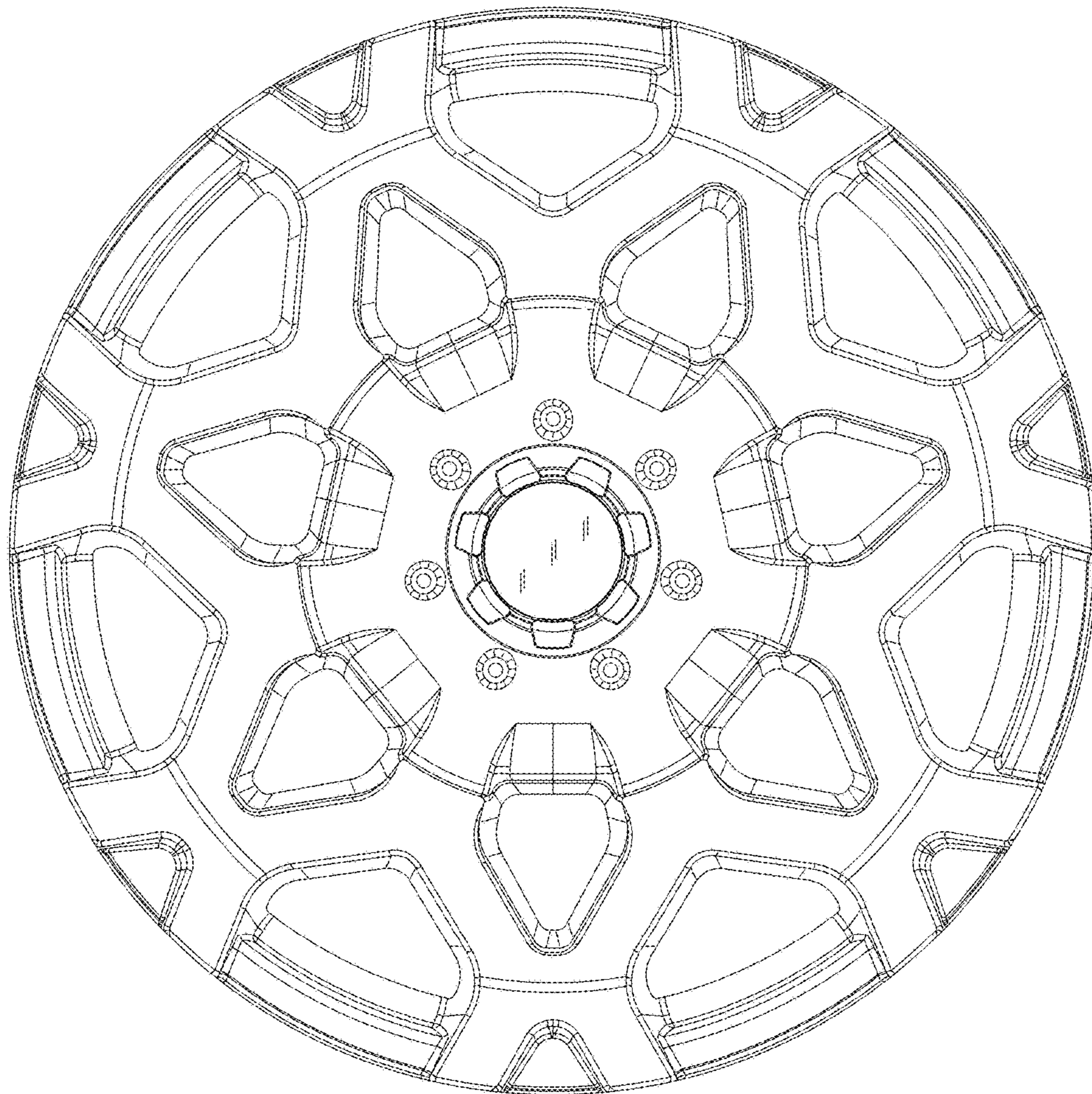


FIG. 2

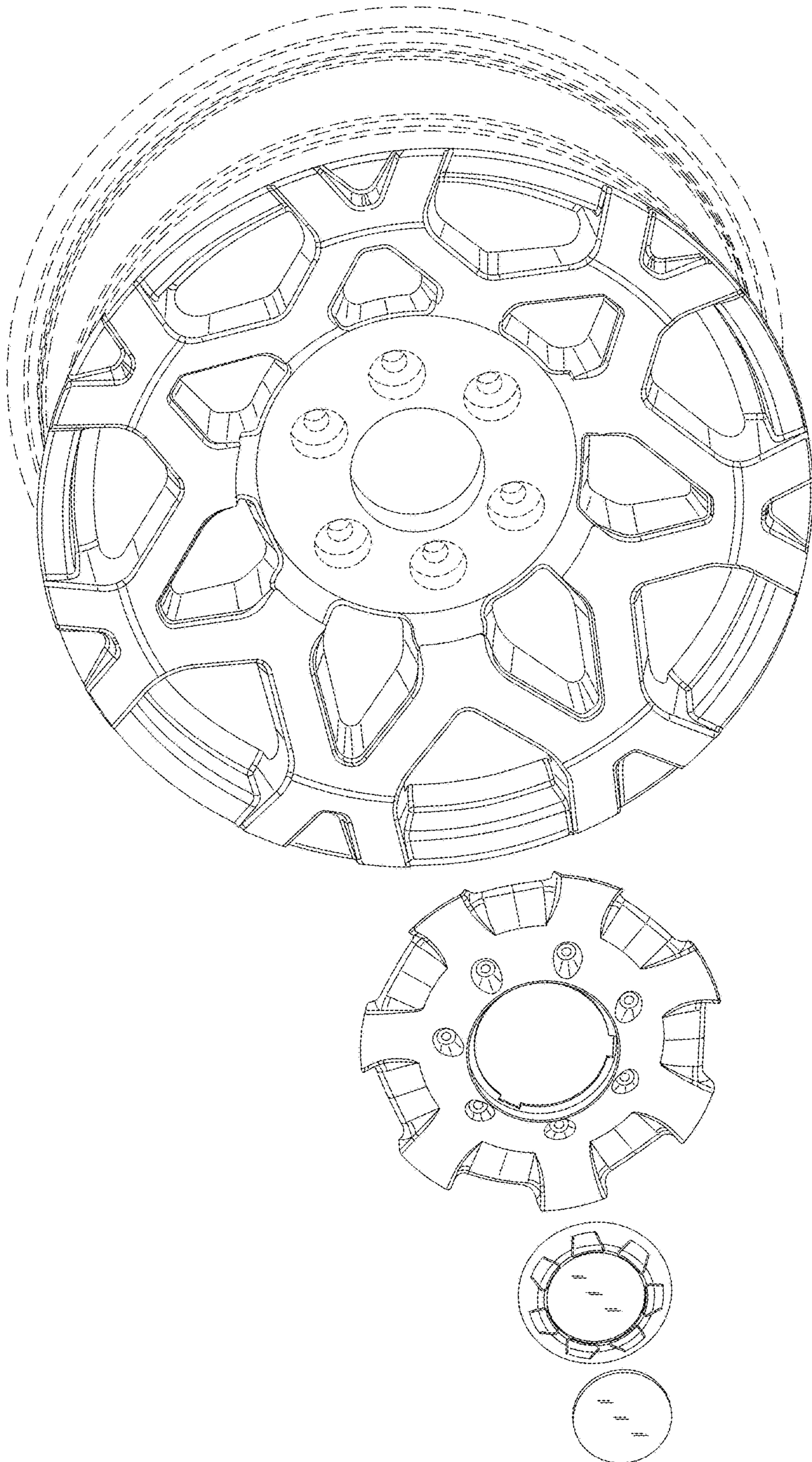


FIG. 3