



US00D866431S

(12) **United States Design Patent**
Schell

(10) **Patent No.:** **US D866,431 S**

(45) **Date of Patent:** **** Nov. 12, 2019**

(54) **WHEEL**

(71) Applicant: **HONDA MOTOR CO., LTD.**,
Minato-ku, Tokyo (JP)

(72) Inventor: **Damon Schell**, Long Beach, CA (US)

(73) Assignee: **HONDA MOTOR CO., LTD.**, Tokyo
(JP)

(**) Term: **15 Years**

(21) Appl. No.: **29/642,294**

(22) Filed: **Mar. 28, 2018**

(51) **LOC (12) Cl.** **12-16**

(52) **U.S. Cl.**
USPC **D12/209**

(58) **Field of Classification Search**
USPC D12/204-213; D21/533, 561, 563
CPC B60B 7/00; B60B 7/02; B60B 7/04; B60B
7/06; B60B 3/02; B60B 3/04; B60B 3/06;
B60B 3/10; B60B 1/00; B60B 1/08;
B60B 1/10; B60B 1/12
See application file for complete search history.

(56) **References Cited**

U.S. PATENT DOCUMENTS

D594,802 S *	6/2009	Gustafsson	D12/211
D671,477 S *	11/2012	Juergens	D12/209
D697,003 S *	1/2014	Baum	D12/209
D706,701 S *	6/2014	Mays	D12/211
D789,859 S *	6/2017	Peat	D12/209
D792,830 S *	7/2017	Groth	D12/211
D797,634 S *	9/2017	Baccari	D12/209

D807,806 S *	1/2018	Peat	D12/209
D814,382 S *	4/2018	Smith	D12/211
D820,184 S *	6/2018	Bucher	D12/209
D832,181 S *	10/2018	Setter	D12/211
D833,948 S *	11/2018	Buck	D12/209
D836,055 S *	12/2018	Buck	D12/209

* cited by examiner

Primary Examiner — Sheryl Lane

Assistant Examiner — Calvin E Vansant

(74) *Attorney, Agent, or Firm* — Arent Fox LLP

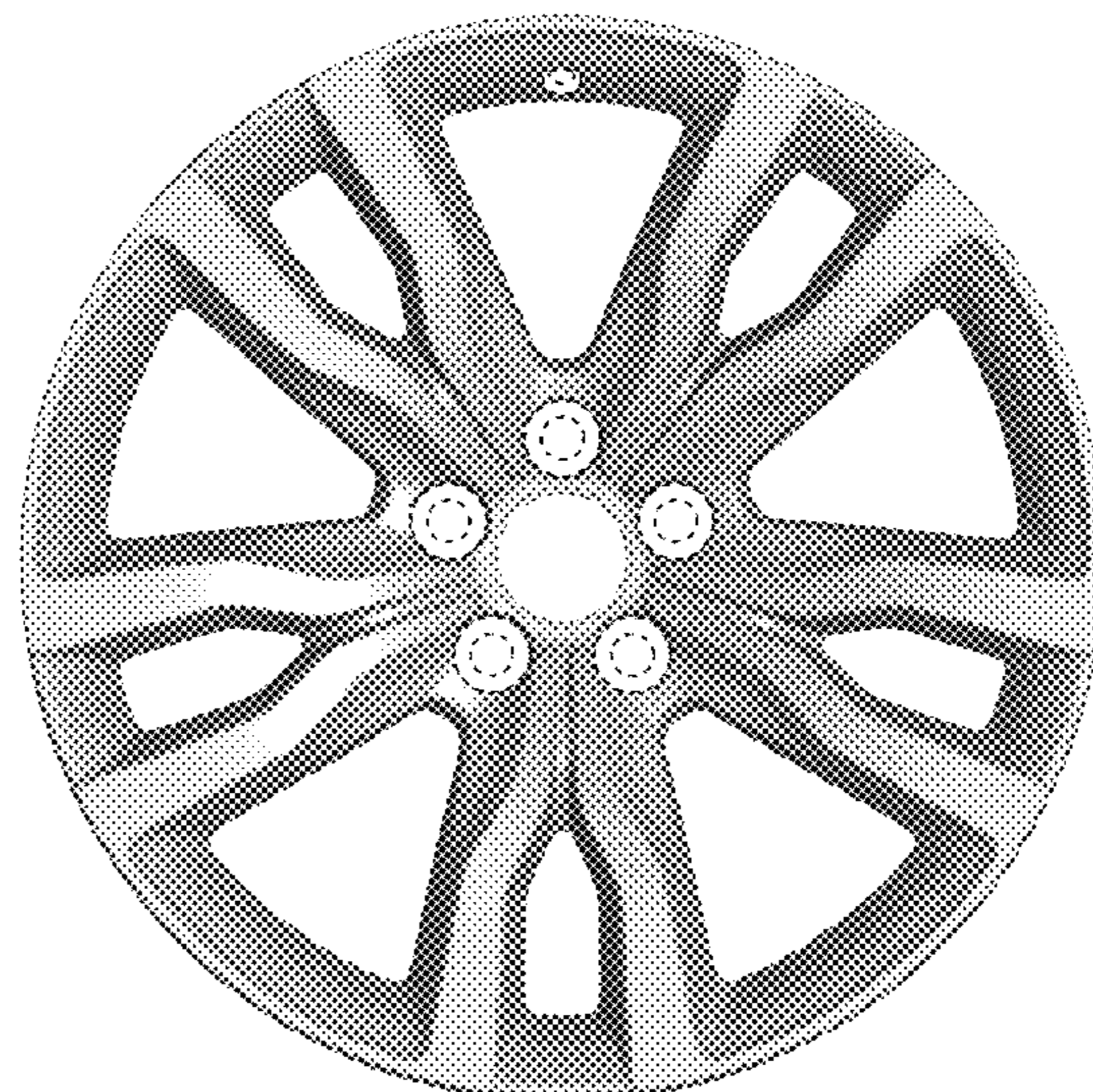
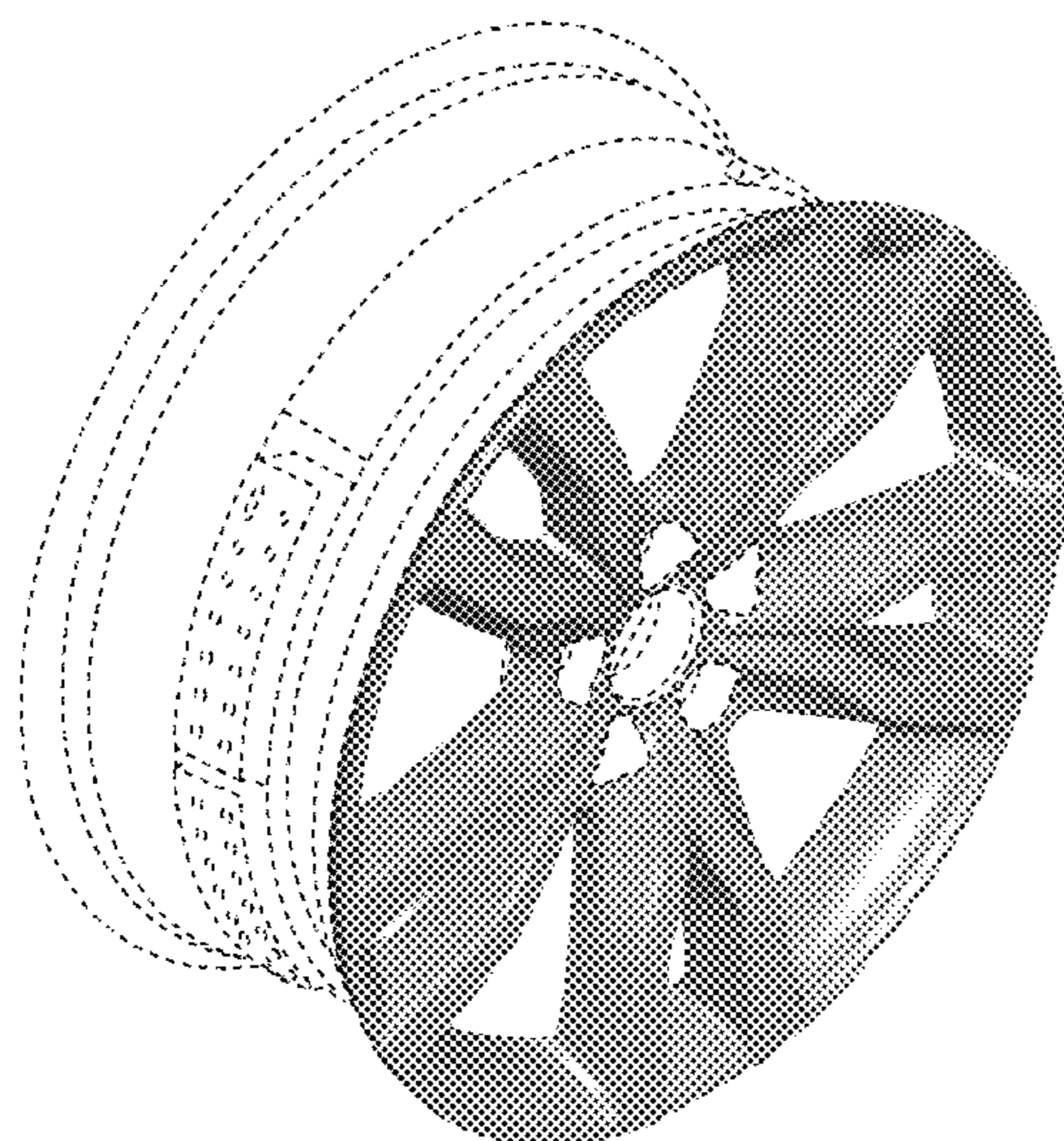
(57) **CLAIM**

The ornamental design for a wheel, as shown and described.

DESCRIPTION

FIG. 1 is a front left perspective view of a wheel showing my new design;
 FIG. 2 is front right perspective view of the design shown in FIG. 1;
 FIG. 3 is a rear left perspective view of the design shown in FIG. 1;
 FIG. 4 is a rear right perspective view of the design shown in FIG. 1;
 FIG. 5 is a front view of the design shown in FIG. 1;
 FIG. 6 is a rear view of the design shown in FIG. 1;
 FIG. 7 is a left side view of the design shown in FIG. 1;
 FIG. 8 is a right side view of the design shown in FIG. 1;
 FIG. 9 is a top view of the design shown in FIG. 1; and,
 FIG. 10 is a bottom view of the design shown in FIG. 1.
 The broken lines shown in the figures are included for the purpose of illustrating portions of the wheel and form no part of the claimed design.

1 Claim, 10 Drawing Sheets



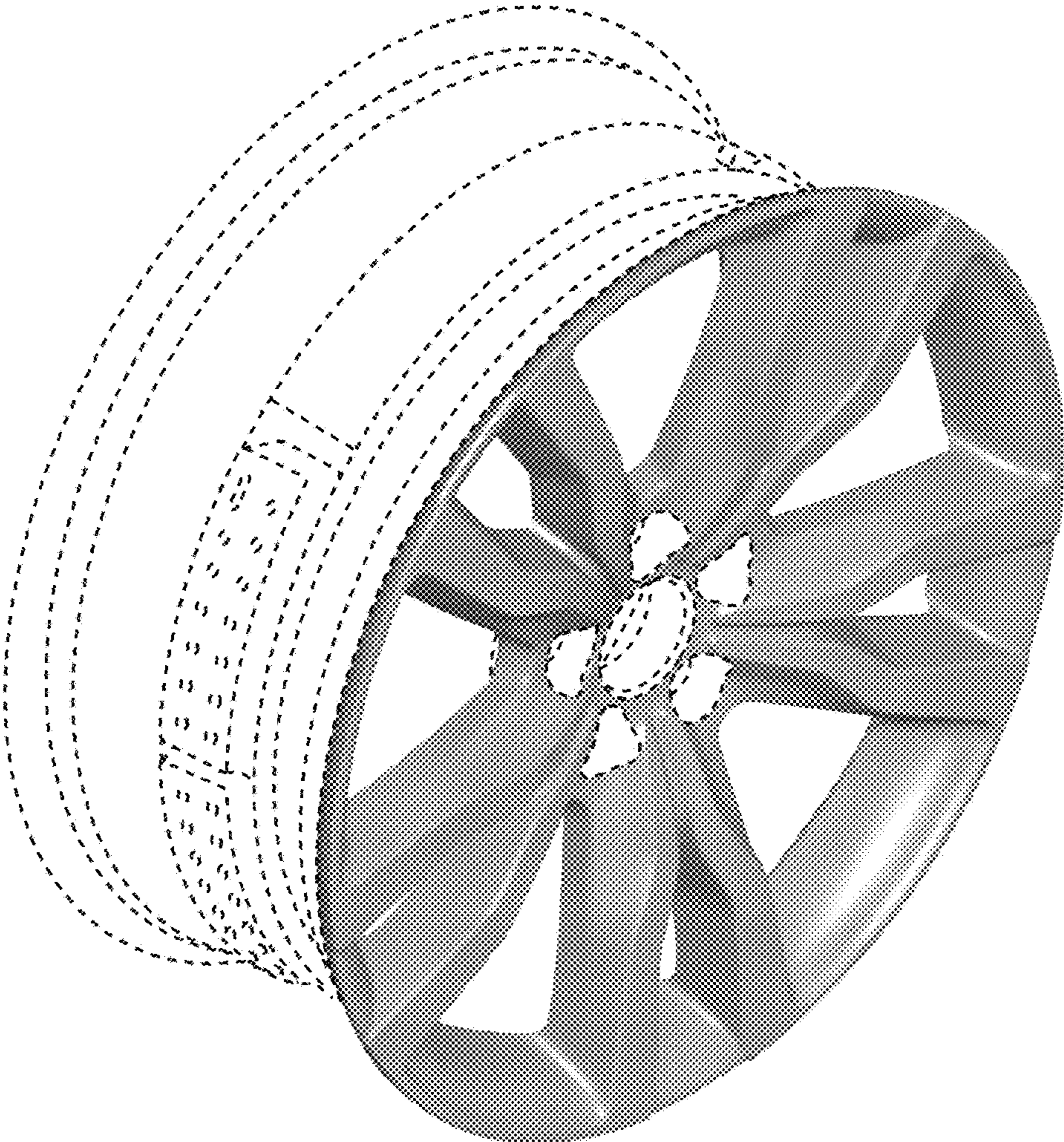


FIG. 1

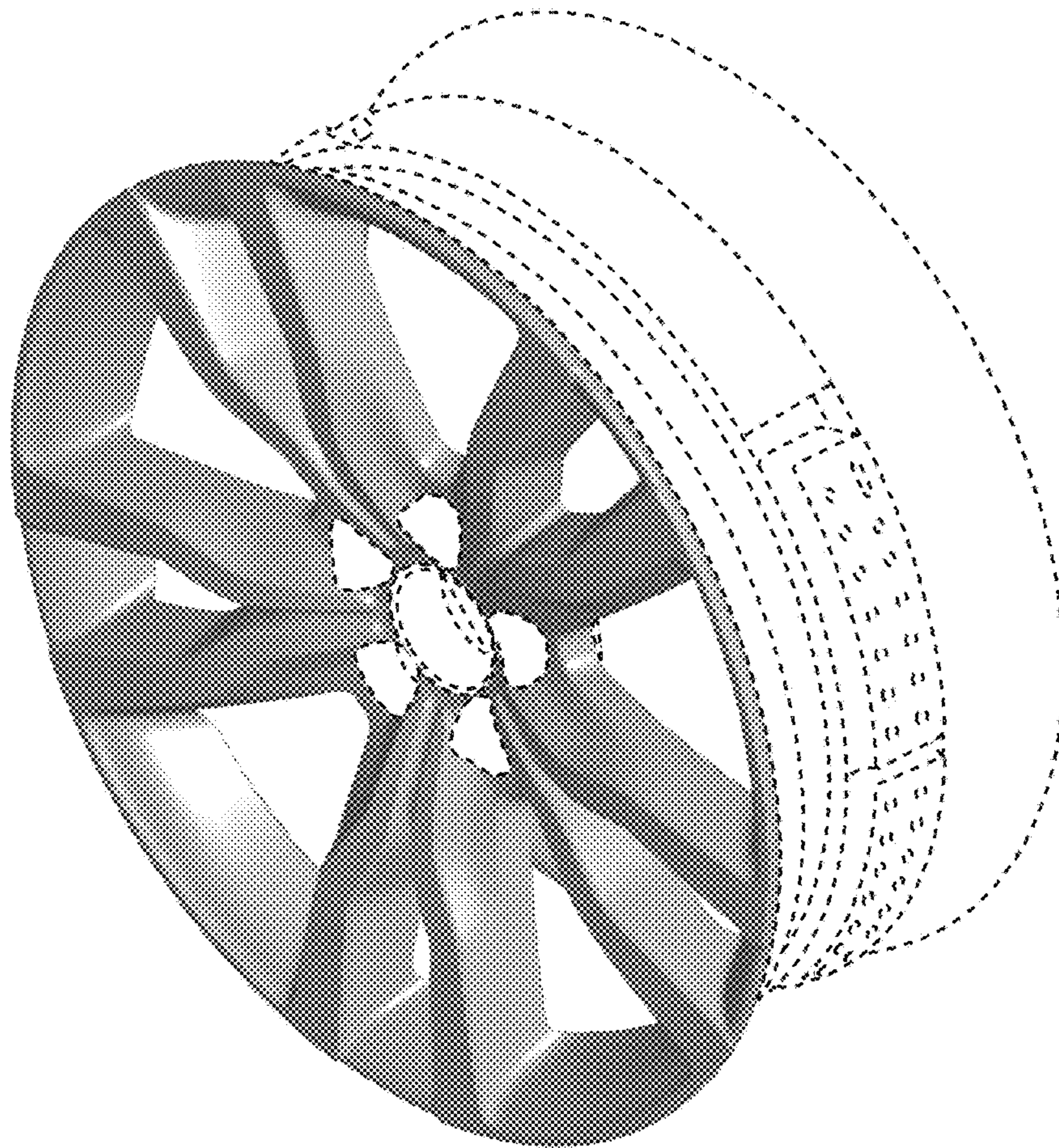


FIG. 2

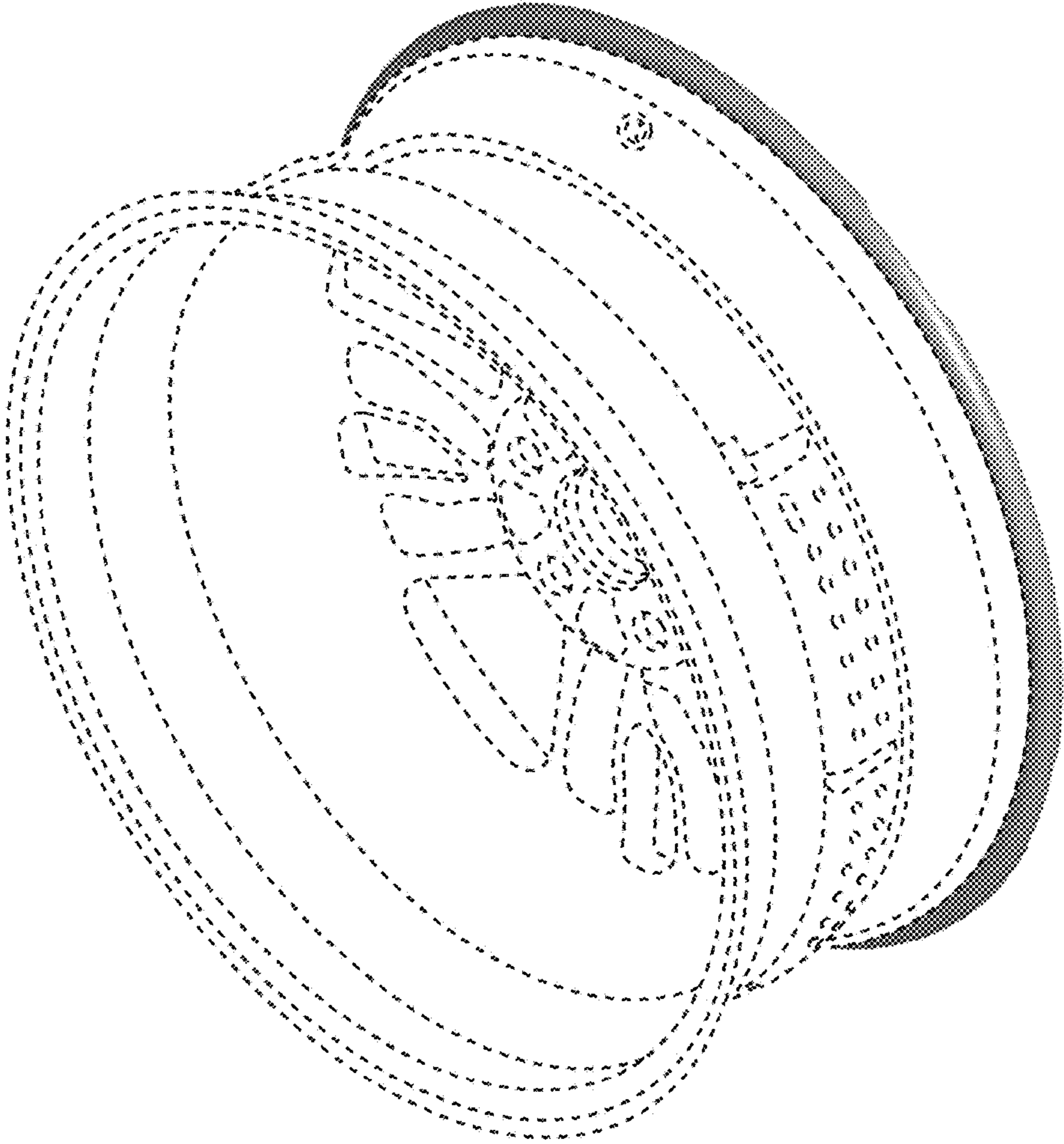


FIG. 3

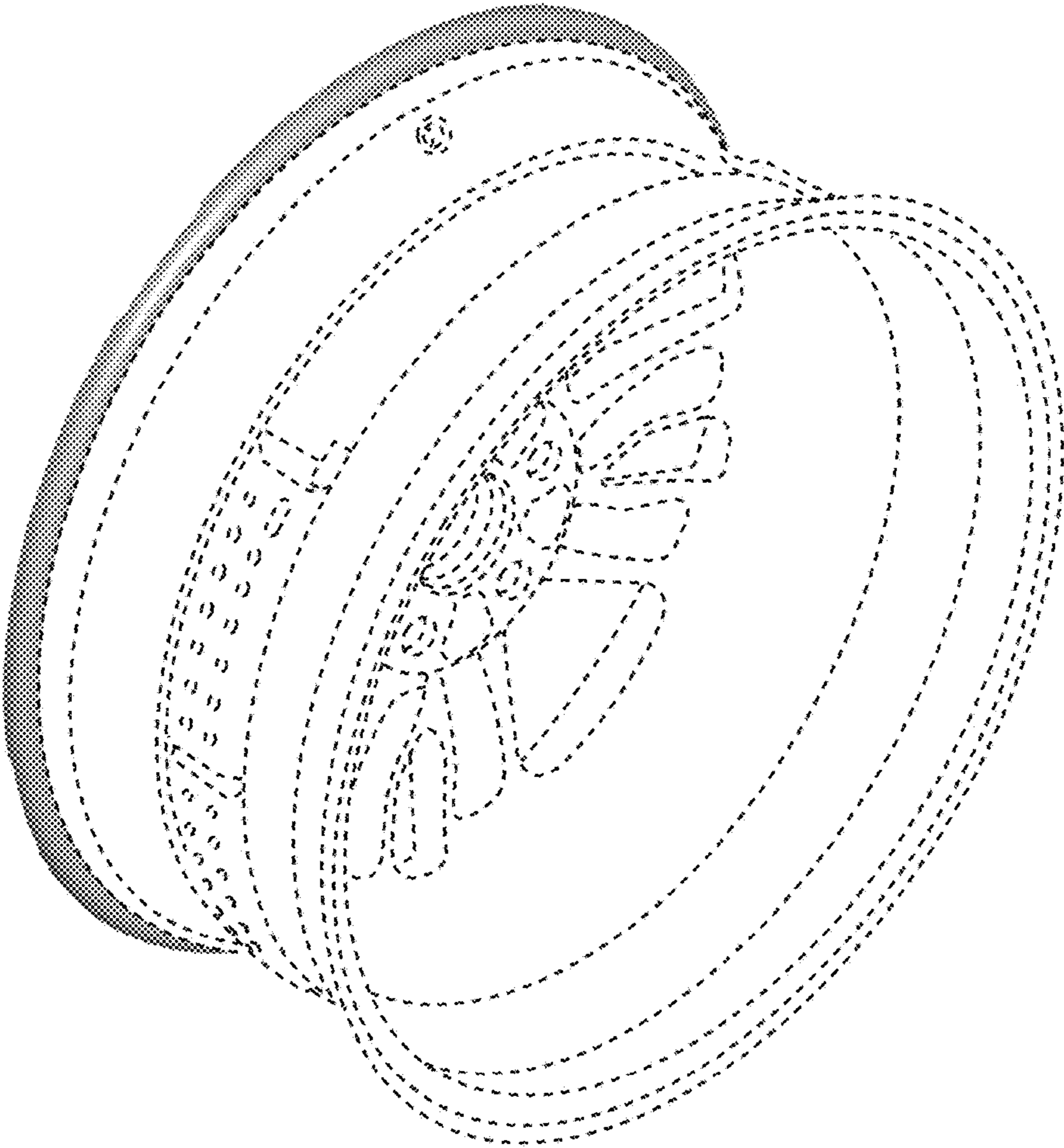


FIG. 4



FIG. 5

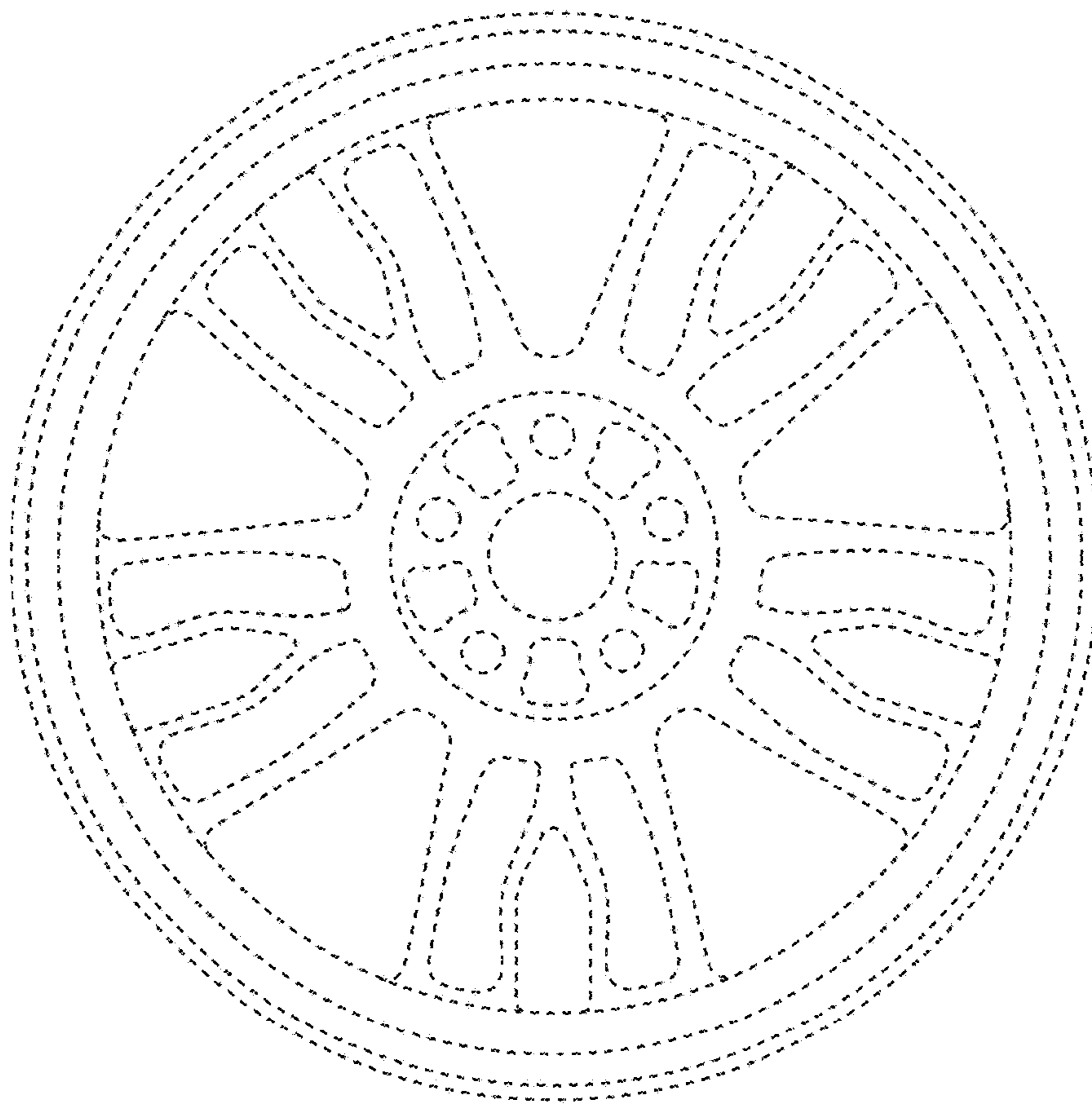


FIG. 6

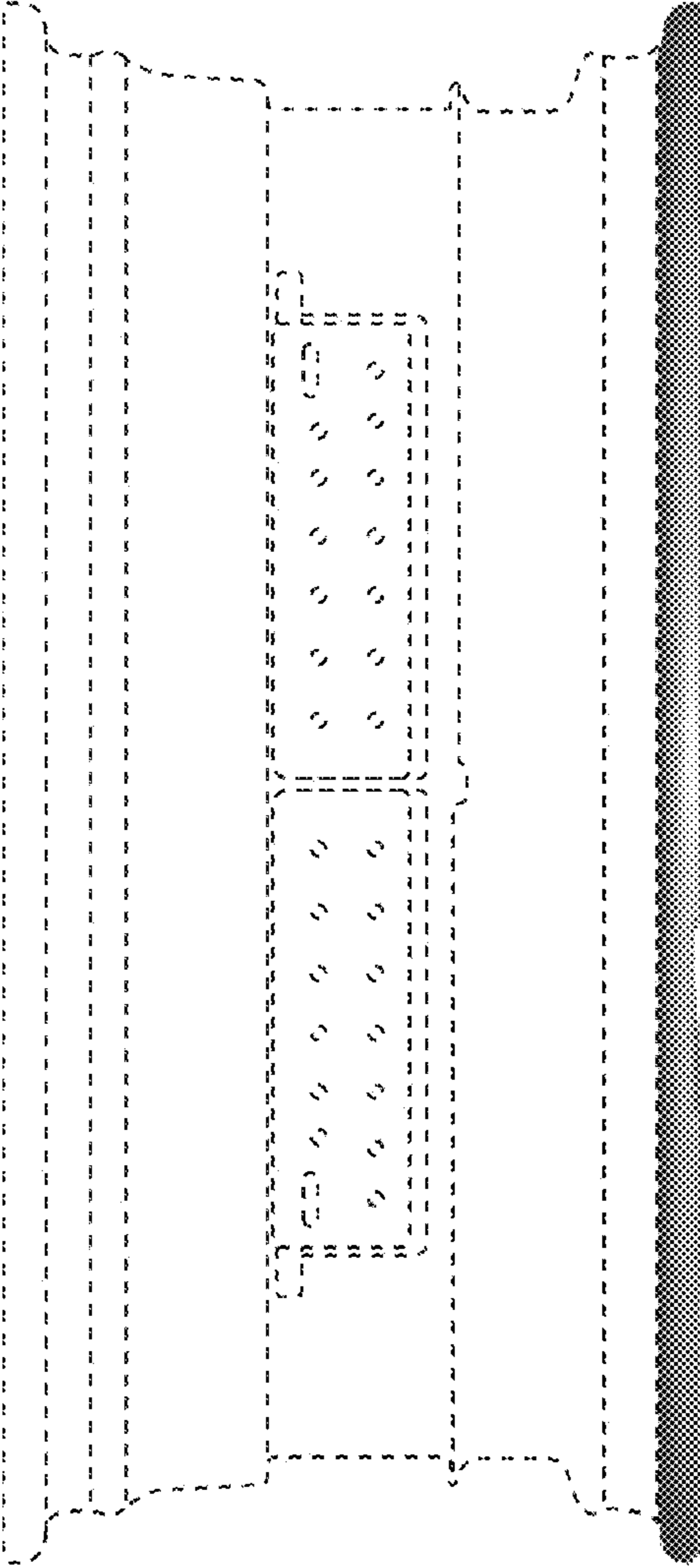


FIG. 7

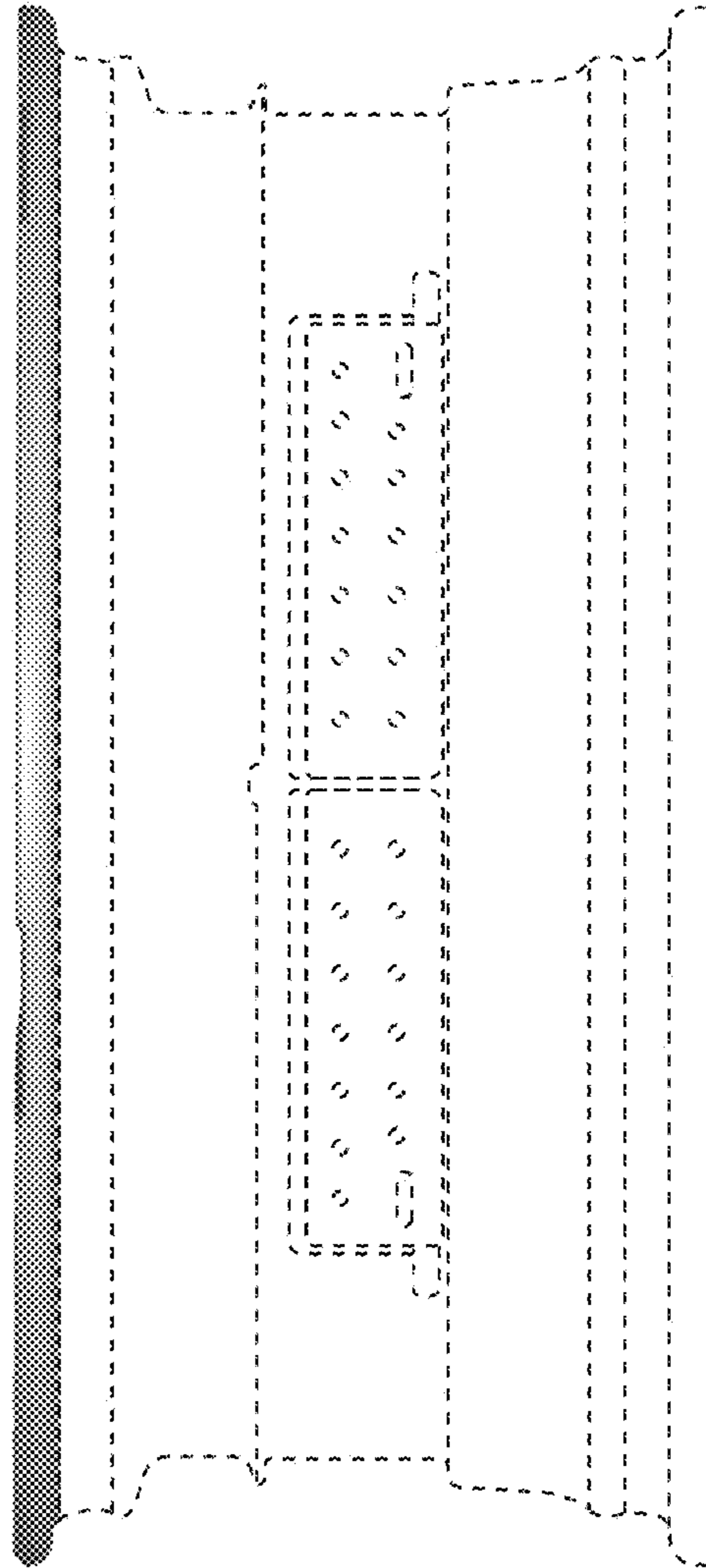


FIG. 8

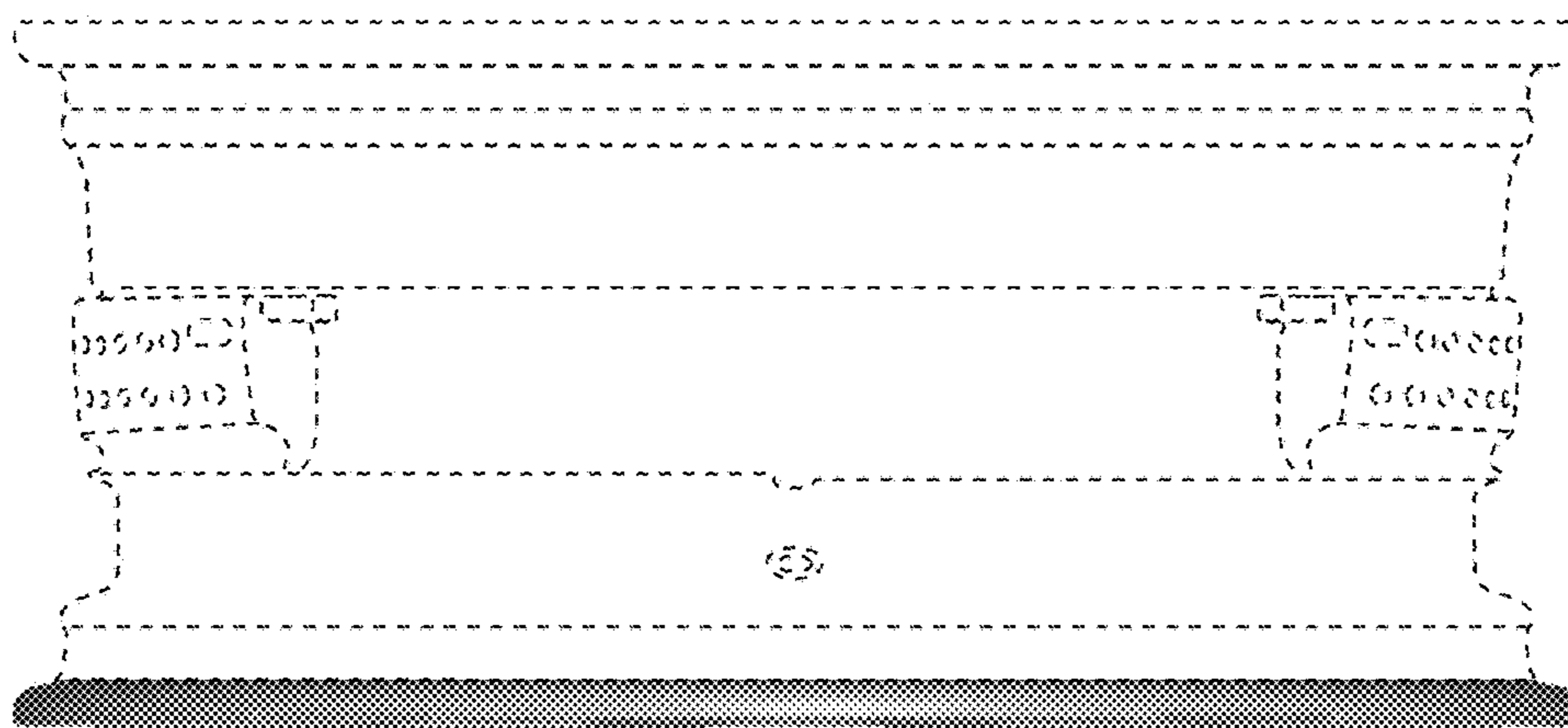


FIG. 9

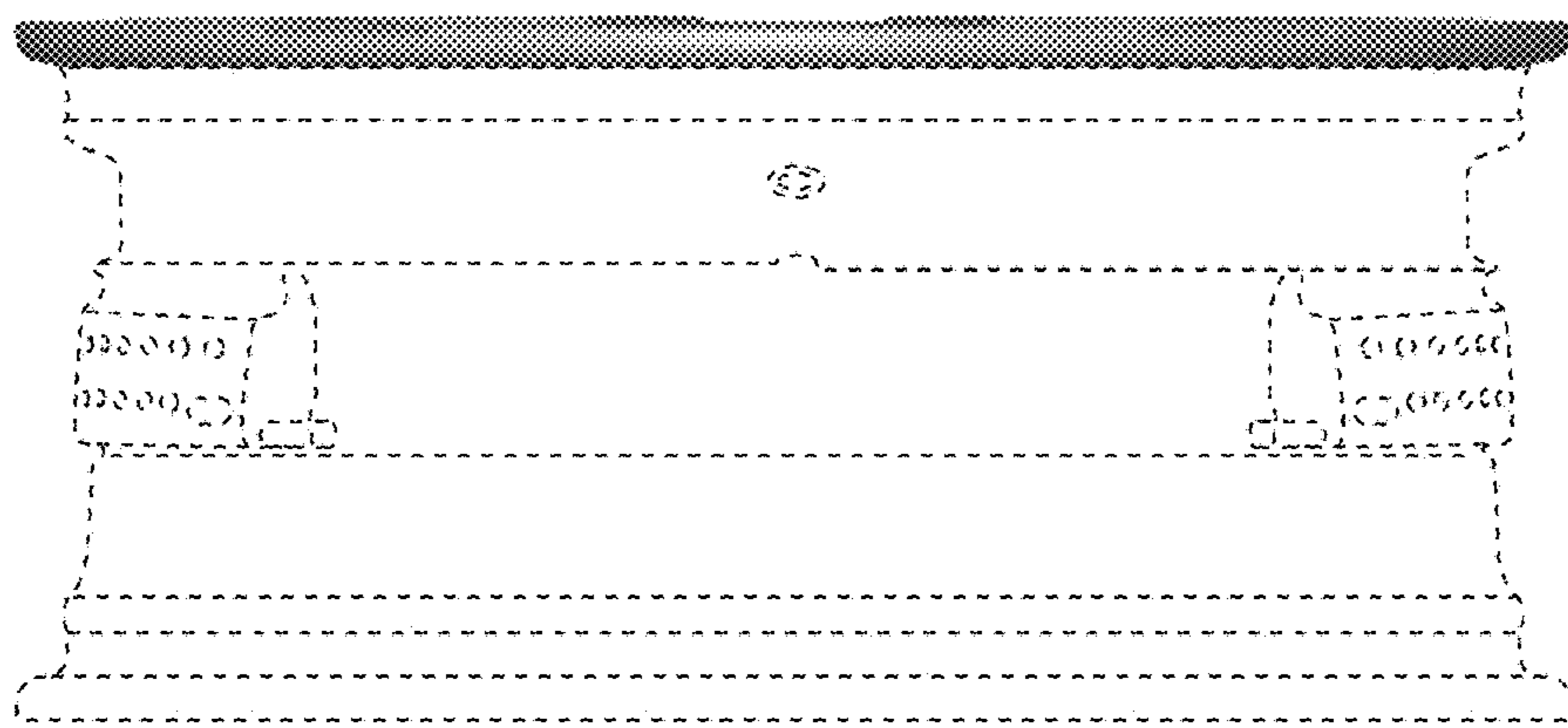


FIG. 10