



US00D866430S

(12) **United States Design Patent** (10) **Patent No.:** **US D866,430 S**  
**Tomasson et al.** (45) **Date of Patent:** **\*\* Nov. 12, 2019**

- (54) **VEHICLE WHEEL RIM**
- (71) Applicant: **Nio Nextev Limited**, Hong Kong (HK)
- (72) Inventors: **Kris Tomasson**, Hong Kong (HK); **Juho Suh**, Hong Kong (HK); **Jim Baste**, Hong Kong (HK); **Salvatore Aita**, Hong Kong (HK); **Vasiliy Kurkov**, Hong Kong (HK); **Soowan Park**, Hong Kong (HK)
- (73) Assignee: **NIO NEXTEV LIMITED**, Hong Kong (HK)
- (\*\*) Term: **15 Years**
- (21) Appl. No.: **29/615,076**
- (22) Filed: **Aug. 25, 2017**
- (30) **Foreign Application Priority Data**

Mar. 6, 2017 (CN) ..... 2017 3 0061309  
 Mar. 6, 2017 (EM) ..... 003785534

- (51) **LOC (12) Cl.** ..... **12-16**
- (52) **U.S. Cl.**  
USPC ..... **D12/209**
- (58) **Field of Classification Search**  
USPC ..... D12/204–213  
CPC .... B60B 7/00; B60B 7/02; B60B 7/04; B60B 7/01; B60B 7/06; B60B 3/02; B60B 3/04; B60B 3/06; B60B 3/10; B60B 1/00; B60B 1/08; B60B 1/10; B60B 1/12  
See application file for complete search history.

(56) **References Cited**  
 U.S. PATENT DOCUMENTS

D430,842 S 9/2000 Chinellato  
 D541,202 S 4/2007 Baumgartner  
 D572,186 S 7/2008 Viandante  
 D576,936 S 9/2008 Imai

D597,015 S 7/2009 Juergens et al.  
 D613,657 S 4/2010 Cortes  
 D617,243 S 6/2010 Juergens et al.  
 D626,052 S 10/2010 Majdandzic  
 D638,771 S \* 5/2011 Chung ..... D12/211  
 D660,766 S 5/2012 Gotschke et al.  
 D660,772 S 5/2012 Gotschke et al.  
 D661,239 S 6/2012 Pollman  
 D668,197 S 10/2012 Gotschke et al.  
 D669,007 S 10/2012 Starr, Jr.  
 D671,477 S 11/2012 Juergens et al.  
 D682,763 S 5/2013 Song et al.  
 D684,517 S 6/2013 Scheinhutte  
 D689,810 S 9/2013 Mindt  
 D689,811 S 9/2013 Tanevski  
 D690,250 S 9/2013 Stolz  
 D695,187 S 12/2013 Mielke et al.  
 D713,773 S 9/2014 Scheinhutte  
 D714,203 S 9/2014 George et al.

(Continued)

**OTHER PUBLICATIONS**

Non-Final Office Action dated Sep. 20, 2018 in corresponding to U.S. Appl. No. 29/615,073.

(Continued)

*Primary Examiner* — Stacia A Cadmus  
 (74) *Attorney, Agent, or Firm* — Hogan Lovells US LLP

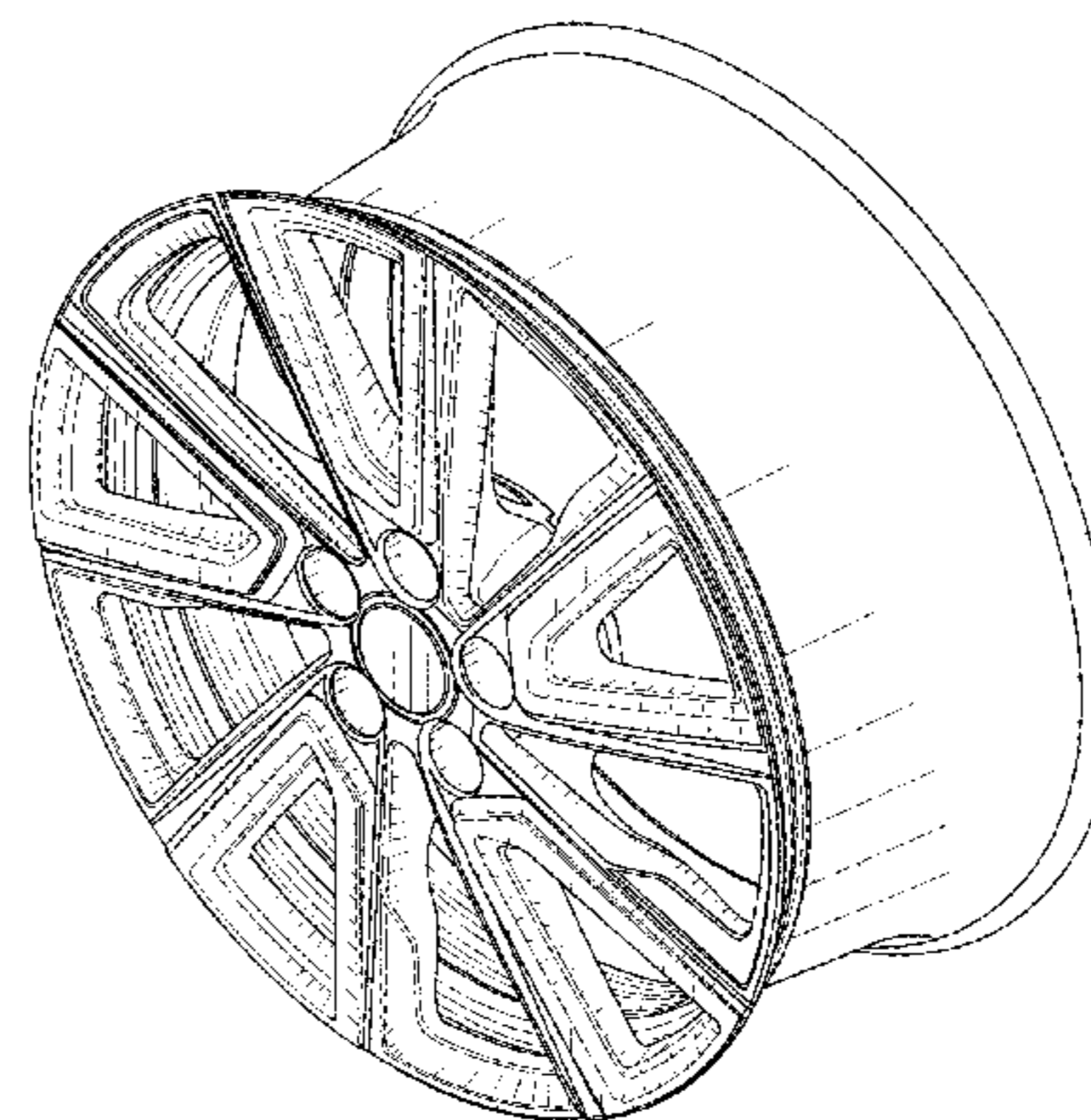
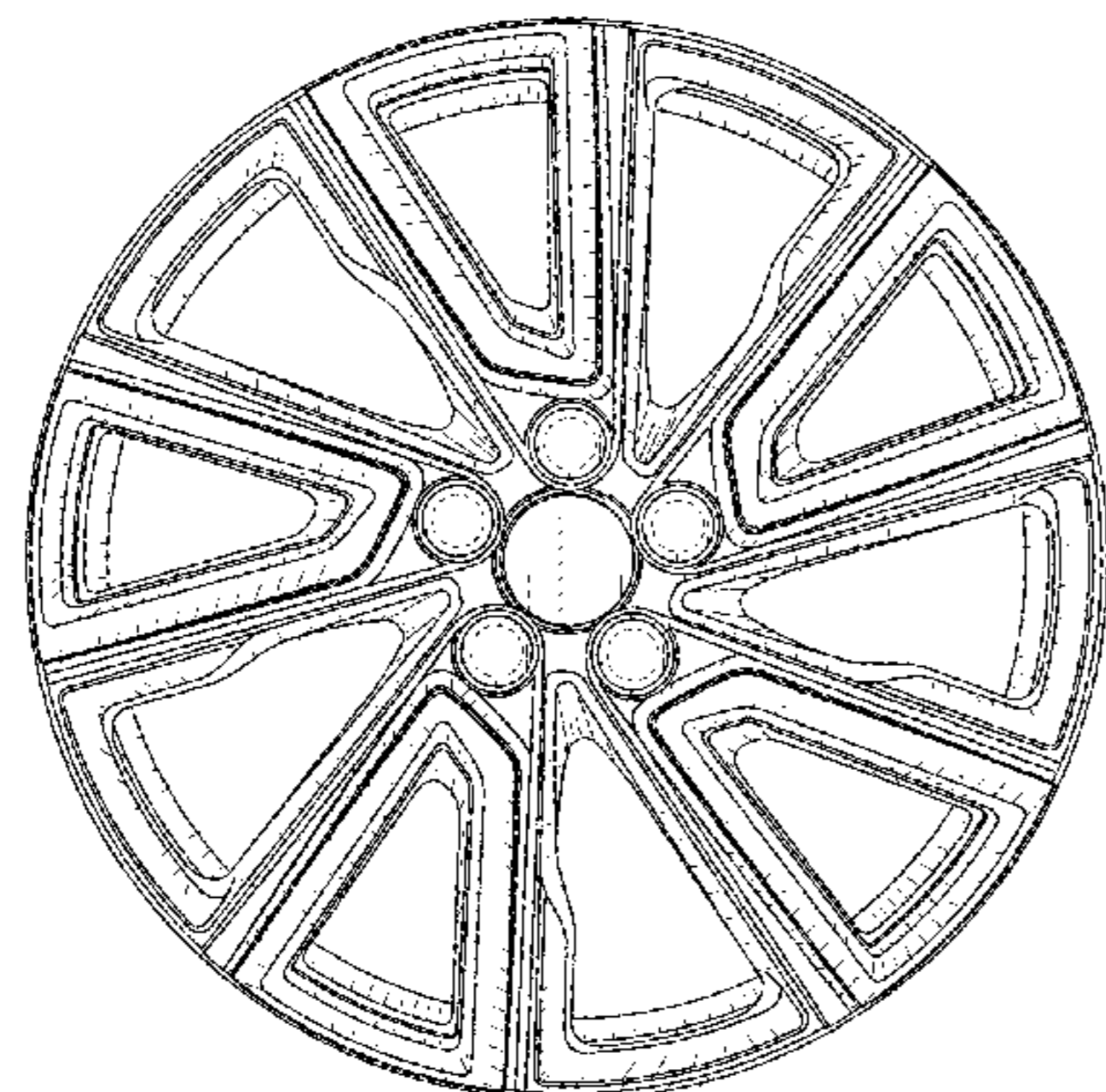
(57) **CLAIM**

The ornamental design for a vehicle wheel rim, as shown and described.

**DESCRIPTION**

FIG. 1 is a front view thereof;  
 FIG. 2 is a perspective view thereof;  
 FIG. 3 is a top view thereof; and,  
 FIG. 4 is a rear view thereof.  
 In the drawings the broken lines depict environmental subject matter and form no part of the claimed design.

**1 Claim, 4 Drawing Sheets**



(56)

References Cited

U.S. PATENT DOCUMENTS

D726,626 S \* 4/2015 Mays ..... D12/211  
 D727,235 S 4/2015 Hans et al.  
 D727,828 S 4/2015 Amezketta  
 D728,441 S 5/2015 Zhang  
 D731,389 S \* 6/2015 Gotschke ..... D12/211  
 D734,234 S 7/2015 Juergens et al.  
 D741,773 S 10/2015 Juergens  
 D744,925 S 12/2015 Wheel  
 D746,750 S 1/2016 Curtis  
 D749,028 S 2/2016 Henstridge  
 D751,019 S 3/2016 Behmer et al.  
 D753,572 S 4/2016 Werke et al.  
 D760,139 S 6/2016 Dionisopoulos et al.  
 D763,158 S 8/2016 Hara  
 D766,153 S 9/2016 Wheel  
 D769,165 S 10/2016 Choi  
 D769,167 S 10/2016 Muntada Roura  
 D773,371 S 12/2016 Bucher et al.  
 D774,436 S 12/2016 Pollex  
 D776,039 S 1/2017 Pollex  
 D778,799 S 2/2017 Gallert  
 D781,202 S 3/2017 Mahoney et al.  
 D788,003 S 5/2017 Conforzi et al.  
 D789,268 S 6/2017 Gallert  
 D790,424 S 6/2017 Pollex  
 D791,046 S 7/2017 Ishii  
 D792,303 S 7/2017 Chung  
 D792,306 S 7/2017 Ishigaki  
 D792,830 S 7/2017 Groth  
 D797,635 S 9/2017 Rueckheim  
 D797,638 S 9/2017 Xiao  
 D798,211 S 9/2017 Chung  
 D800,625 S 10/2017 Svensson et al.  
 D801,252 S 10/2017 McMath  
 D801,906 S 11/2017 Burki  
 D803,128 S 11/2017 Svensson et al.  
 D803,132 S 11/2017 Okaji

D803,135 S 11/2017 Bucher et al.  
 D804,388 S 12/2017 Snyder  
 D804,391 S 12/2017 Ishii  
 D808,324 S 1/2018 Ninov et al.  
 D810,647 S 2/2018 Heizmann  
 D813,139 S \* 3/2018 Chung ..... D12/211  
 D814,381 S \* 4/2018 Valencia Pollex ..... D12/209  
 D818,411 S 5/2018 Kawaguchi  
 D818,925 S 5/2018 Sugiyama  
 D818,927 S 5/2018 Pollex  
 D826,825 S 8/2018 Kawaguchi  
 D826,826 S 8/2018 Back  
 D828,268 S 9/2018 Nakamura  
 D828,269 S 9/2018 Kikuchi  
 D835,561 S 12/2018 Hayashi  
 D836,054 S 12/2018 Kikuchi  
 D836,524 S \* 12/2018 Austin ..... D12/209  
 D840,311 S \* 2/2019 Hilton ..... D12/209  
 D840,321 S \* 2/2019 Kikuchi ..... D12/211  
 D842,187 S 3/2019 Tomasson et al.

OTHER PUBLICATIONS

Non-Final Office Action dated Jun. 14, 2018 corresponding to U.S. Appl. No. 29/615,831.  
 Non-Final Office Action dated Jun. 14, 2018 corresponding to U.S. Appl. No. 29/616,481.  
 Non-Final Office Action dated Jun. 15, 2018 corresponding to U.S. Appl. No. 29/615,077.  
 Non-Final Office Action dated Apr. 3, 2018 corresponding to U.S. Appl. No. 29/591,719.  
 Non-Final Office Action dated Apr. 19, 2018 corresponding to U.S. Appl. No. 29/591,728.  
 Ex Parte Quayle Action dated Mar. 5, 2019, corresponding to U.S. Appl. No. 29/615,073.  
 Non-Final Office Action corresponding to U.S. Appl. No. 29/615,079, dated Apr. 2, 2019.

\* cited by examiner



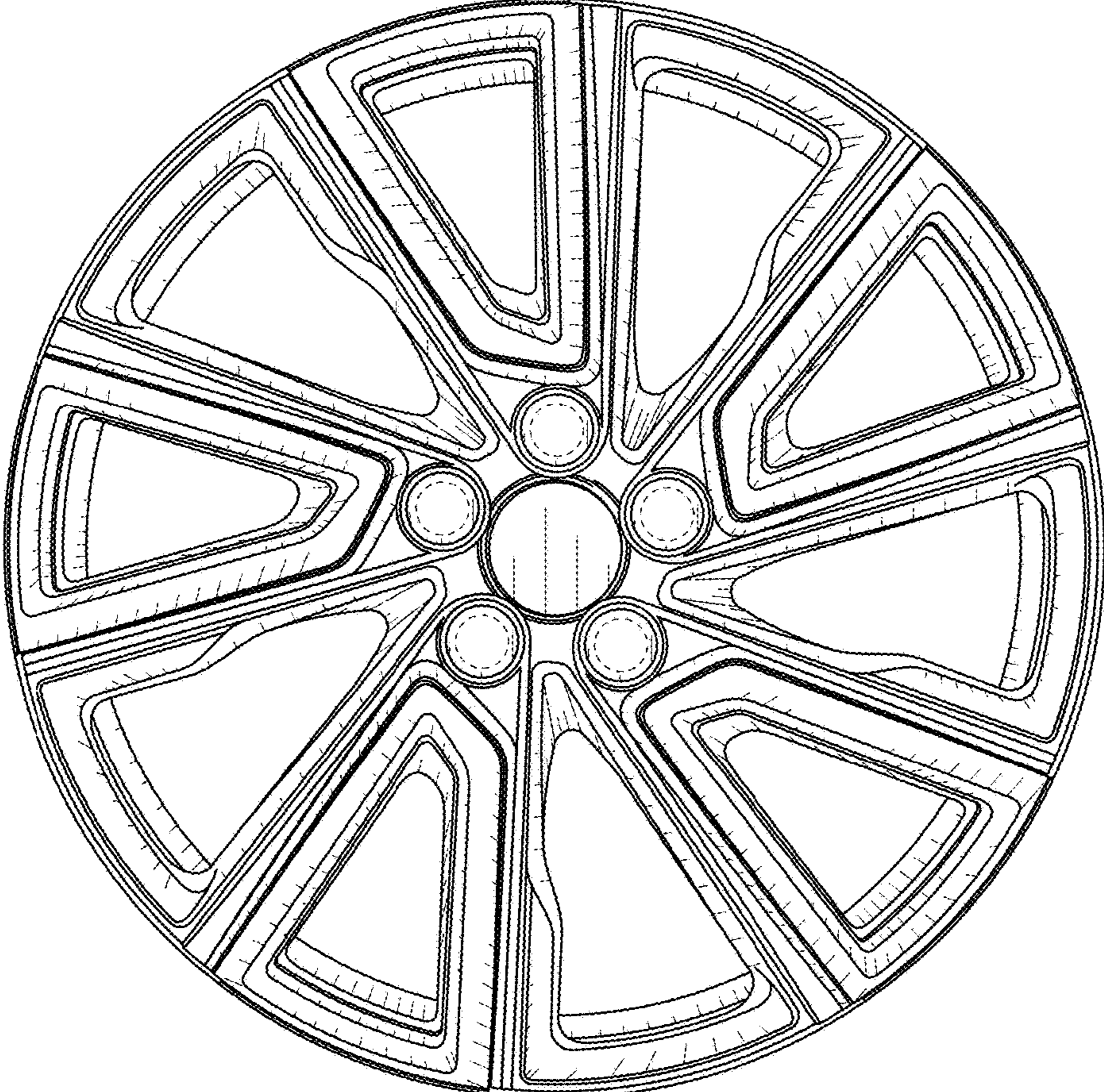


FIG. 1

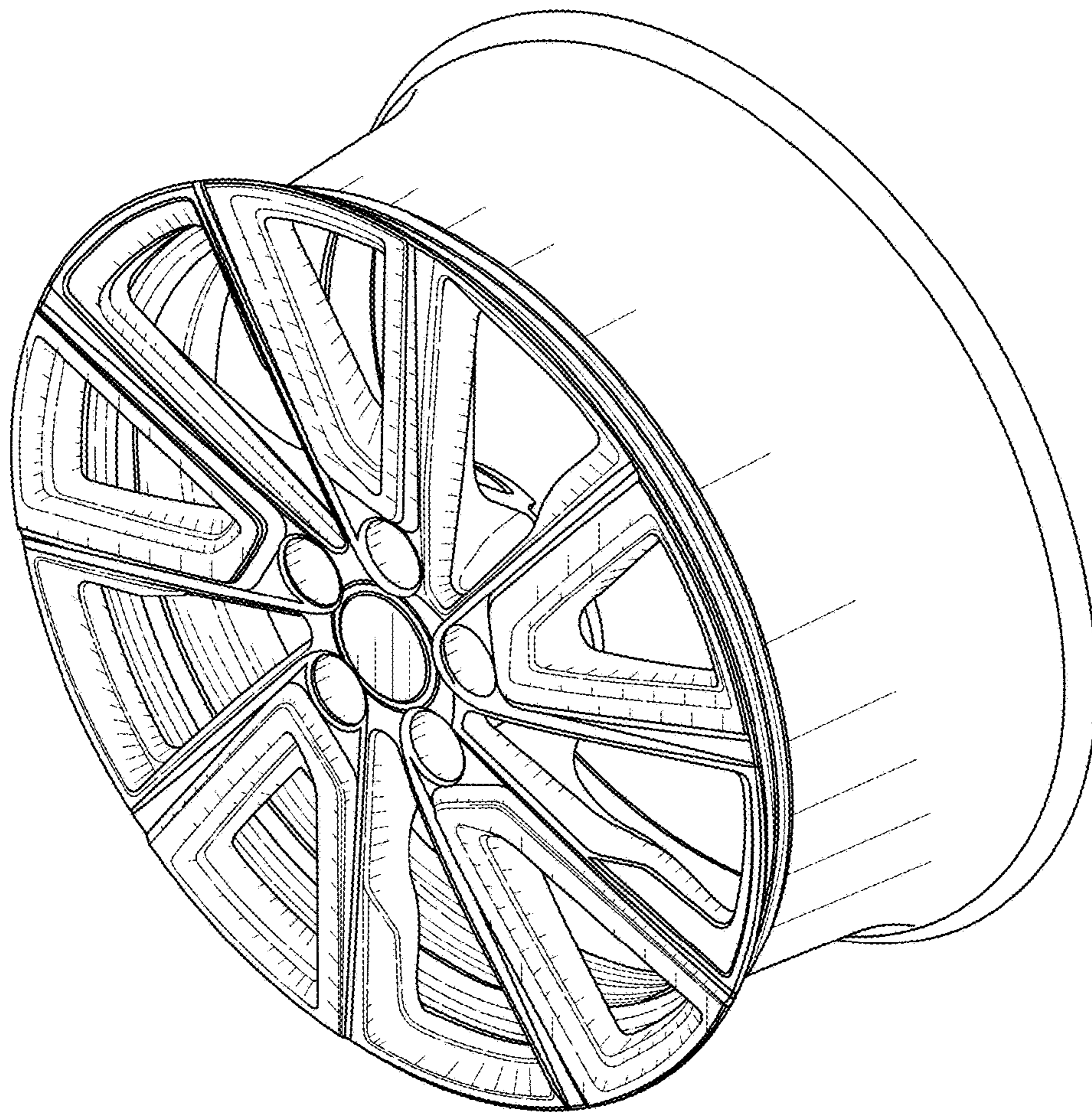


FIG. 2

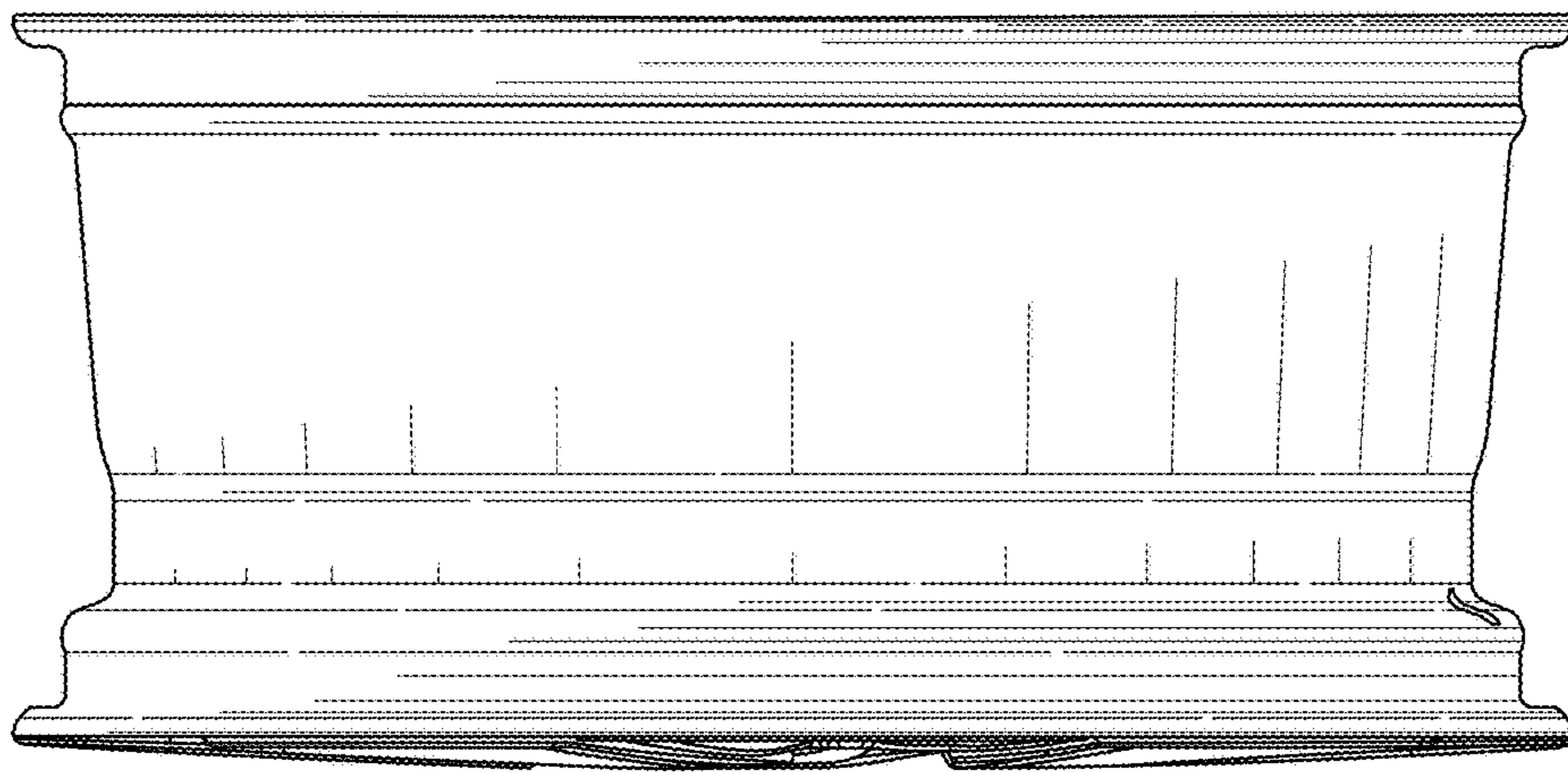


FIG. 3



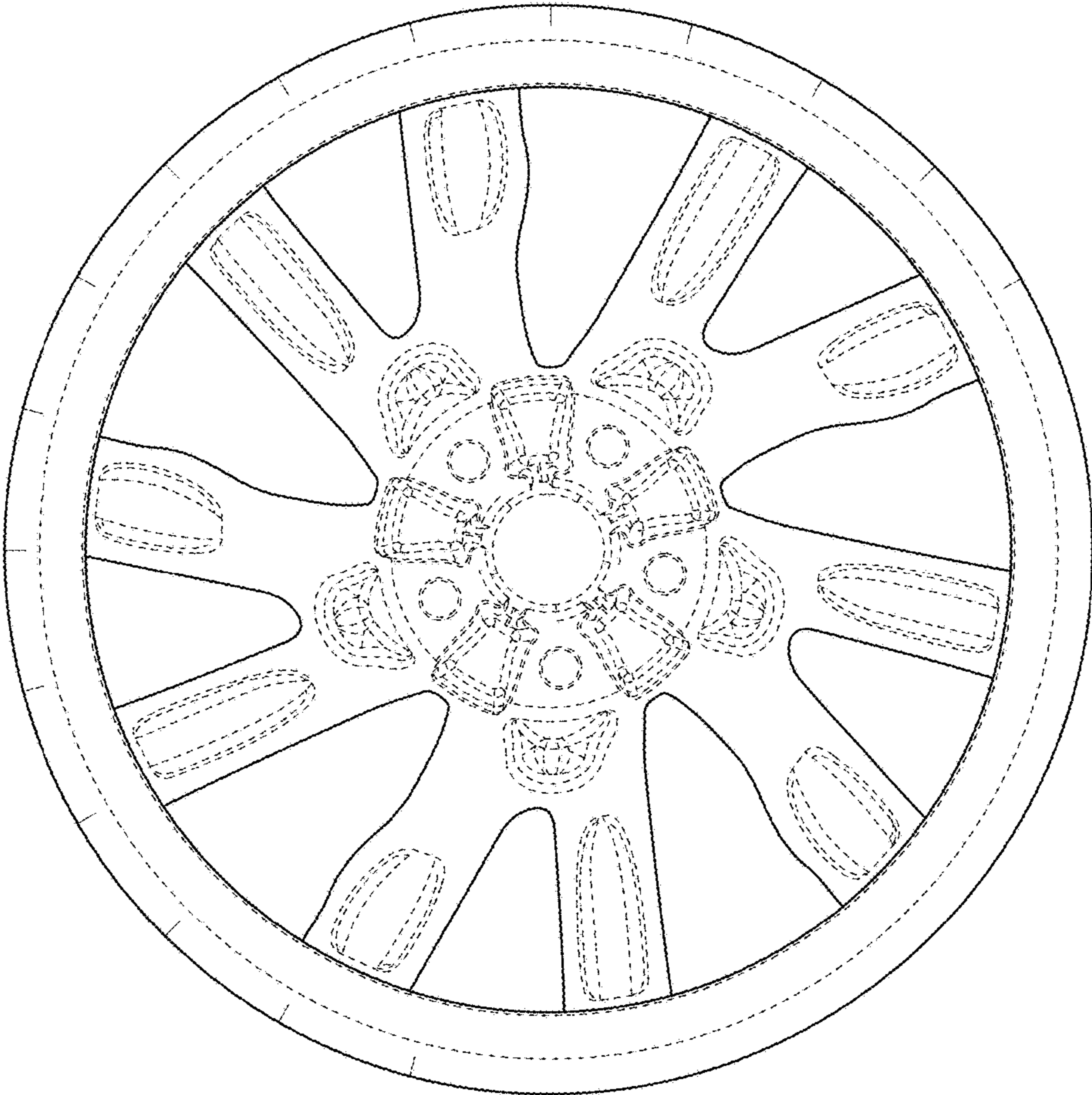


FIG. 4