



US00D866424S

(12) **United States Design Patent** (10) **Patent No.:** **US D866,424 S**  
**Bennett** (45) **Date of Patent:** **\*\* Nov. 12, 2019**

(54) **PANORAMIC REAR VIEW MIRROR**

4,487,479 A \* 12/1984 Tolomeo, Sr. .... G02B 7/1824  
359/854

(71) Applicant: **David Bennett**, Pickering (CA)

4,643,544 A 2/1987 Loughran

4,695,138 A 9/1987 Epstein

4,852,986 A 8/1989 Yu

(72) Inventor: **David Bennett**, Pickering (CA)

D316,996 S \* 5/1991 Swauger ..... D12/187

D345,334 S \* 3/1994 Cathey ..... D12/187

(\*\*) Term: **15 Years**

D365,317 S 12/1995 Hellmund

D390,522 S \* 2/1998 Nagayama ..... D12/187

(21) Appl. No.: **29/658,587**

(Continued)

(22) Filed: **Aug. 1, 2018**

FOREIGN PATENT DOCUMENTS

(51) **LOC (12) Cl.** ..... **12-16**

WO WO2014154078 10/2014

(52) **U.S. Cl.**

USPC ..... **D12/187**

OTHER PUBLICATIONS

(58) **Field of Classification Search**

USPC ..... D12/187, 188, 189; D6/300, 309;  
D26/28

CPC ..... A45D 42/18; B60R 1/006; B60R 1/008;  
B60R 1/02; B60R 1/025; B60R 1/06;  
B60R 1/0605; B60R 1/074; B60R 1/076;  
B60R 1/078; B60R 1/08; B60R 1/081;  
B60R 1/082; B60R 1/10; F21V 33/004;  
G02B 5/08; G02B 7/18; G02B 7/182;  
G02B 7/1824

Aliexpress.com. "Car Wide Curve Convex Interior Reflector Clip Tri-fold Panoramic Rear View Mirror DXY88" First reviewed Jan. 11, 2019. Retrieved Jun. 17, 2019. (<https://www.aliexpress.com/item/Car-Wide-Curve-Convex-Interior-Reflector-Clip-Tri-fold-Panoramic-Rear-View-Mirror-DXY88/32922843466.html>).\*

See application file for complete search history.

*Primary Examiner* — Susan E Krakower

*Assistant Examiner* — Jerry Shiuan-Hua Hsu

(56) **References Cited**

(57) **CLAIM**

The ornamental design for a panoramic rear view mirror, as shown and described.

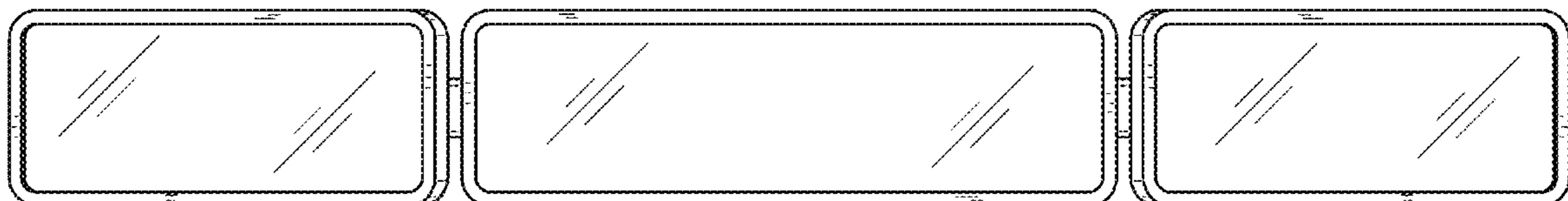
U.S. PATENT DOCUMENTS

**DESCRIPTION**

D82,355 S \* 10/1930 Weir ..... D12/188  
2,605,676 A \* 8/1952 Couch ..... B60R 1/082  
359/854  
2,649,028 A \* 8/1953 Lenta ..... B60R 1/081  
359/854  
2,802,394 A \* 8/1957 Krone ..... B60R 1/081  
359/854  
3,063,344 A 11/1962 Slate  
3,145,257 A \* 8/1964 Suga ..... B60R 1/025  
359/854  
D220,480 S \* 4/1971 Kesler ..... D12/187  
3,644,021 A \* 2/1972 Hamby ..... B60R 1/0605  
359/854  
D226,845 S 5/1973 Lapidus

FIG. 1 is a front view of a panoramic rear view mirror showing my new design;  
FIG. 2 is a rear view of the panoramic rear view mirror;  
FIG. 3 is a right side view of the panoramic rear view mirror;  
FIG. 4 is a left side view of the panoramic rear view mirror;  
FIG. 5 is a top view of the panoramic rear view mirror;  
FIG. 6 is a bottom view of the panoramic rear view mirror;  
and,  
FIG. 7 is a top front side perspective view of the panoramic rear view mirror.

**1 Claim, 3 Drawing Sheets**



(56)

**References Cited**

U.S. PATENT DOCUMENTS

5,946,149 A \* 8/1999 Hoffman ..... B60R 1/081  
359/854  
5,949,595 A 9/1999 Kissinger  
D425,311 S \* 5/2000 Reynolds ..... D6/302  
6,126,289 A \* 10/2000 Nagayama ..... B60R 1/081  
359/854  
D450,022 S \* 11/2001 Nagayama ..... D12/187  
D755,098 S \* 5/2016 Shue ..... D12/187  
10,161,622 B1 \* 12/2018 Frazier ..... F21V 33/004  
2004/0156133 A1 \* 8/2004 Vernon ..... A45D 42/18  
359/866  
2014/0327980 A1 \* 11/2014 Shue ..... B60R 1/082  
359/854

\* cited by examiner

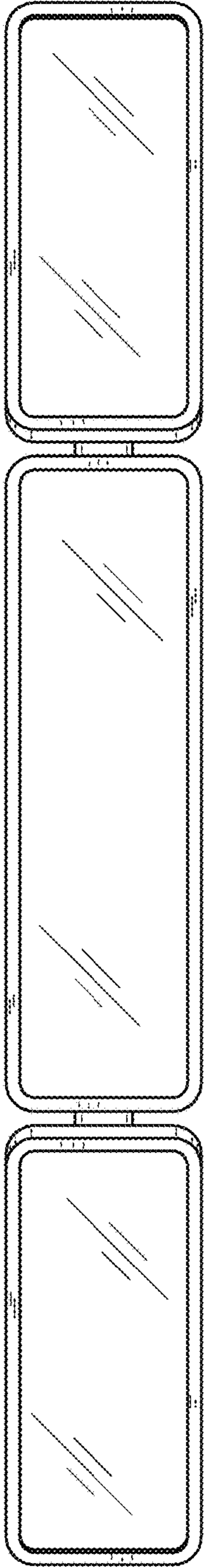


FIG. 1

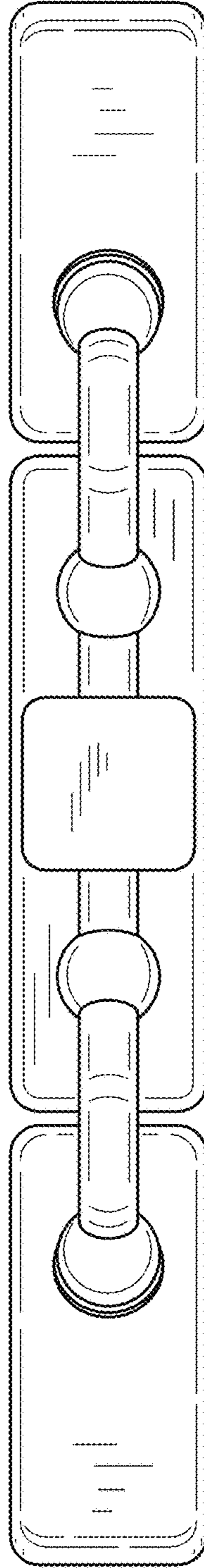


FIG. 2

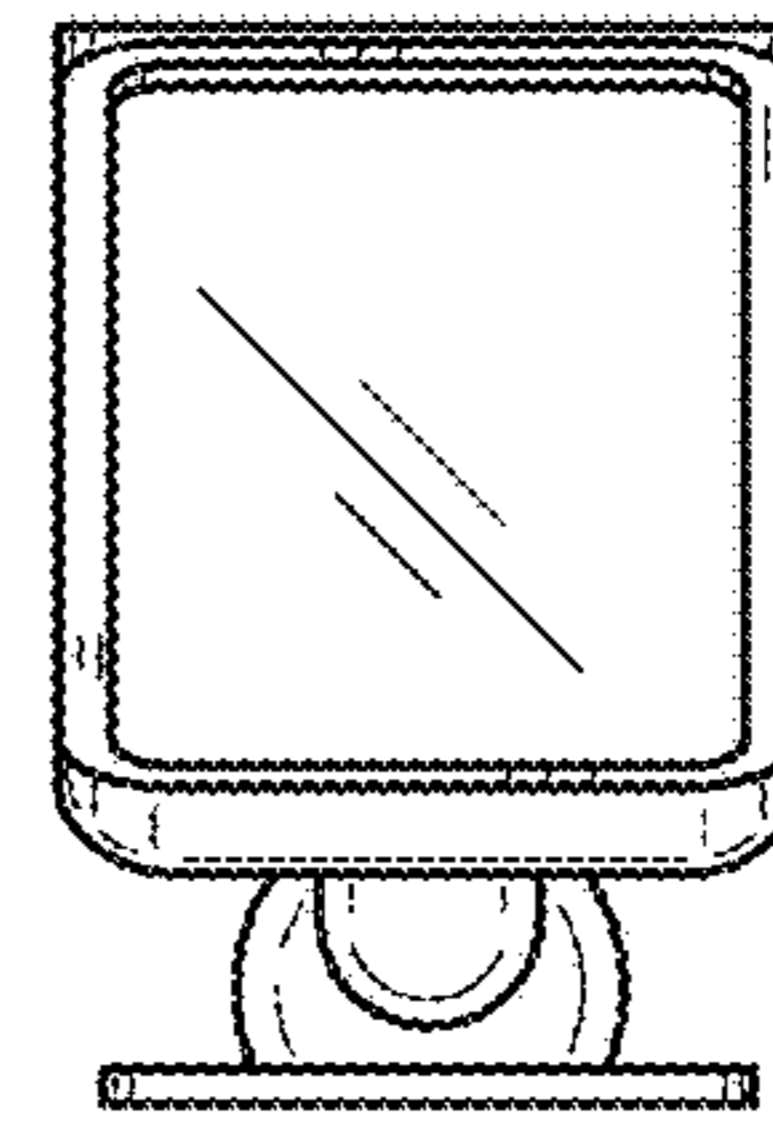


FIG. 3

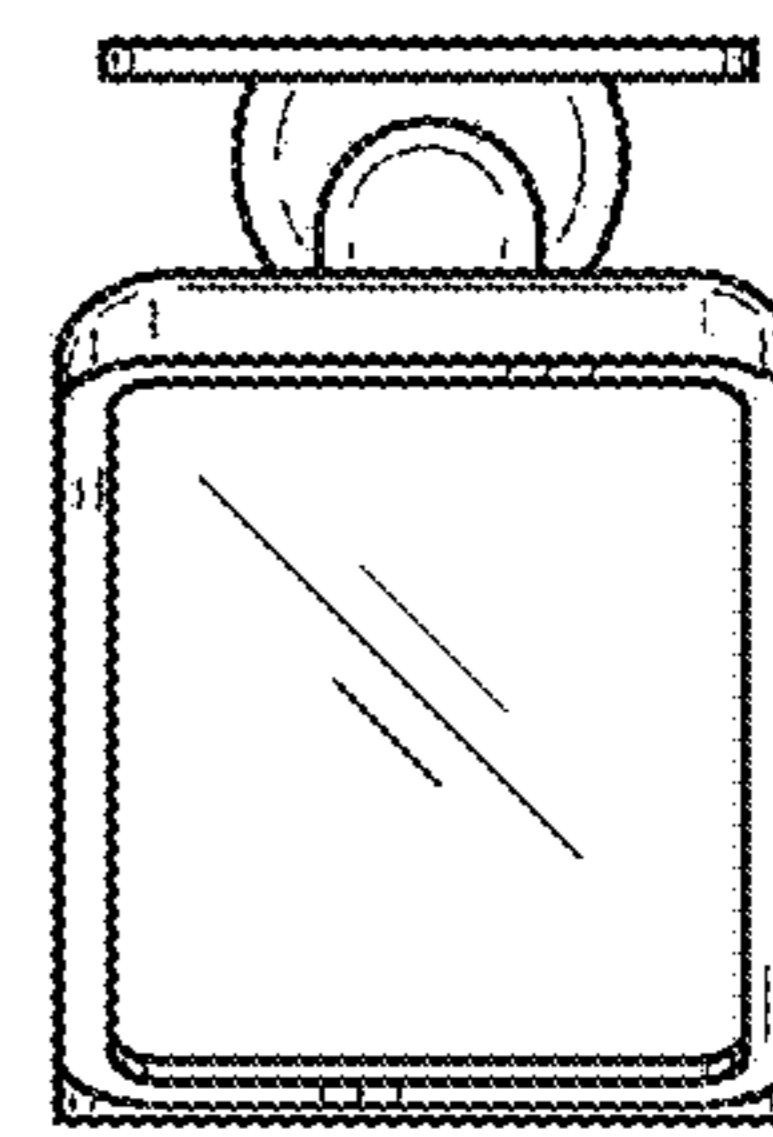


FIG. 4

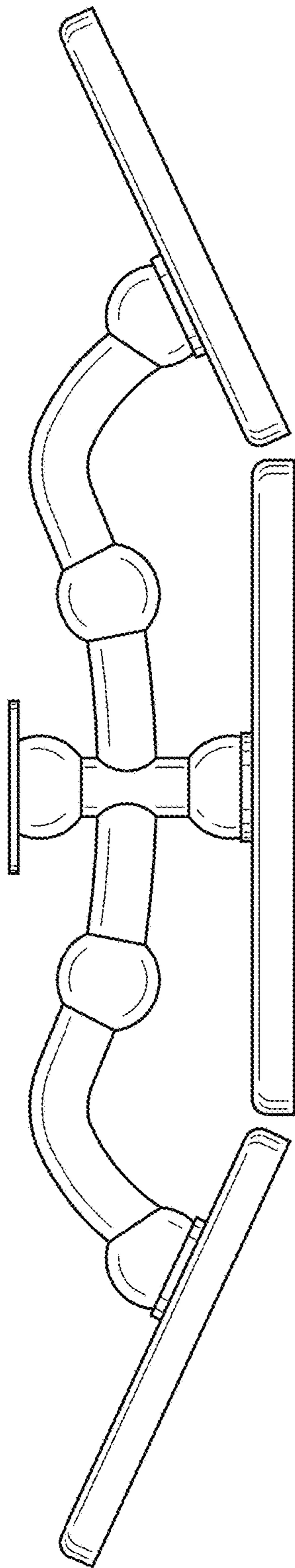


FIG. 5

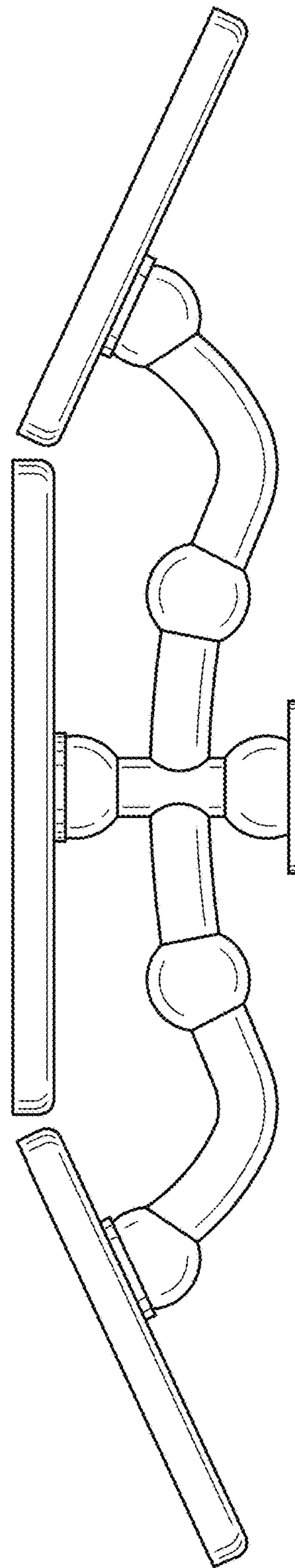


FIG. 6

FIG. 7

