



US00D866419S

(12) **United States Design Patent** (10) **Patent No.:** **US D866,419 S**
Takamatsu (45) **Date of Patent:** **** Nov. 12, 2019**

(54) **FRONT BUMPER FOR AN AUTOMOBILE**

(71) Applicant: **Subaru Corporation**, Tokyo (JP)

(72) Inventor: **Yuuki Takamatsu**, Tokyo (JP)

(73) Assignee: **Subaru Corporation**, Tokyo (JP)

(**) Term: **15 Years**

(21) Appl. No.: **29/658,222**

(22) Filed: **Jul. 30, 2018**

(30) **Foreign Application Priority Data**

Jan. 30, 2018 (JP) 2018-001668

(51) **LOC (12) Cl.** **12-16**

(52) **U.S. Cl.**
USPC **D12/169**

(58) **Field of Classification Search**
USPC D12/169, 164, 196, 171, 163, 86, 90-92;
293/102, 113, 115, 117, 120; 296/180.1,
296/180.2
CPC B60R 19/02; B60R 19/04; B62D 25/08
See application file for complete search history.

(56) **References Cited**

U.S. PATENT DOCUMENTS

D668,593 S * 10/2012 Imai D12/169
D710,267 S * 8/2014 Matsuno D12/169

D732,443 S * 6/2015 Won D12/169
D756,275 S * 5/2016 Ino D12/169
D793,921 S * 8/2017 Takamatsu D12/169
D800,035 S * 10/2017 Takamatsu D12/169
D803,110 S * 11/2017 Seo D12/169
D819,517 S * 6/2018 Arai D12/169
D821,936 S * 7/2018 Yamamoto D12/169
D824,819 S * 8/2018 Sukegawa D12/169
D825,410 S * 8/2018 Nakamura D12/169
D826,109 S * 8/2018 Kuwahara D12/169
D830,250 S * 10/2018 Tomita D12/169
D841,533 S * 2/2019 Imai D12/169

* cited by examiner

Primary Examiner — Melody N Brown

(74) *Attorney, Agent, or Firm* — Schiff Hardin LLP

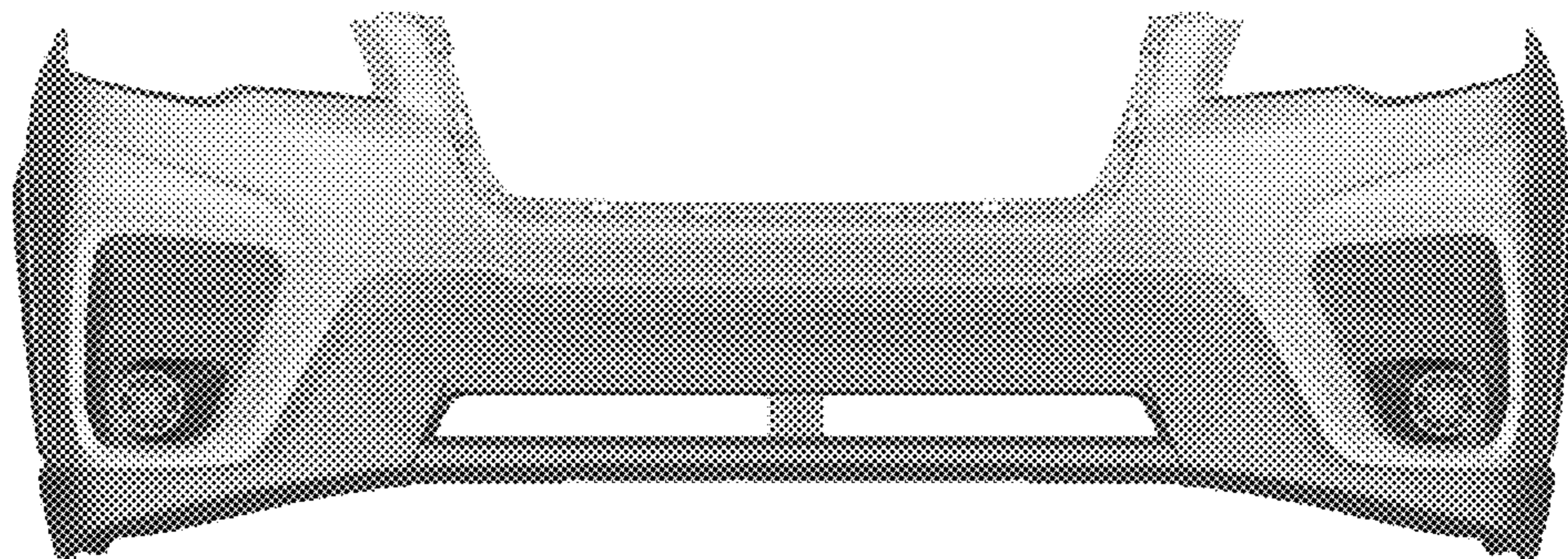
(57) **CLAIM**

I claim the ornamental design for a front bumper for an automobile, as shown and described.

DESCRIPTION

FIG. 1 is a front perspective view for a “front bumper for an automobile” showing my new design, FIG. 2 is a rear perspective view thereof, FIG. 3 is a front view thereof, FIG. 4 is a rear view thereof, FIG. 5 is a top view thereof, FIG. 6 is a bottom view thereof, FIG. 7 is a left-side view thereof; and, FIG. 8 is a right-side view thereof.

1 Claim, 8 Drawing Sheets



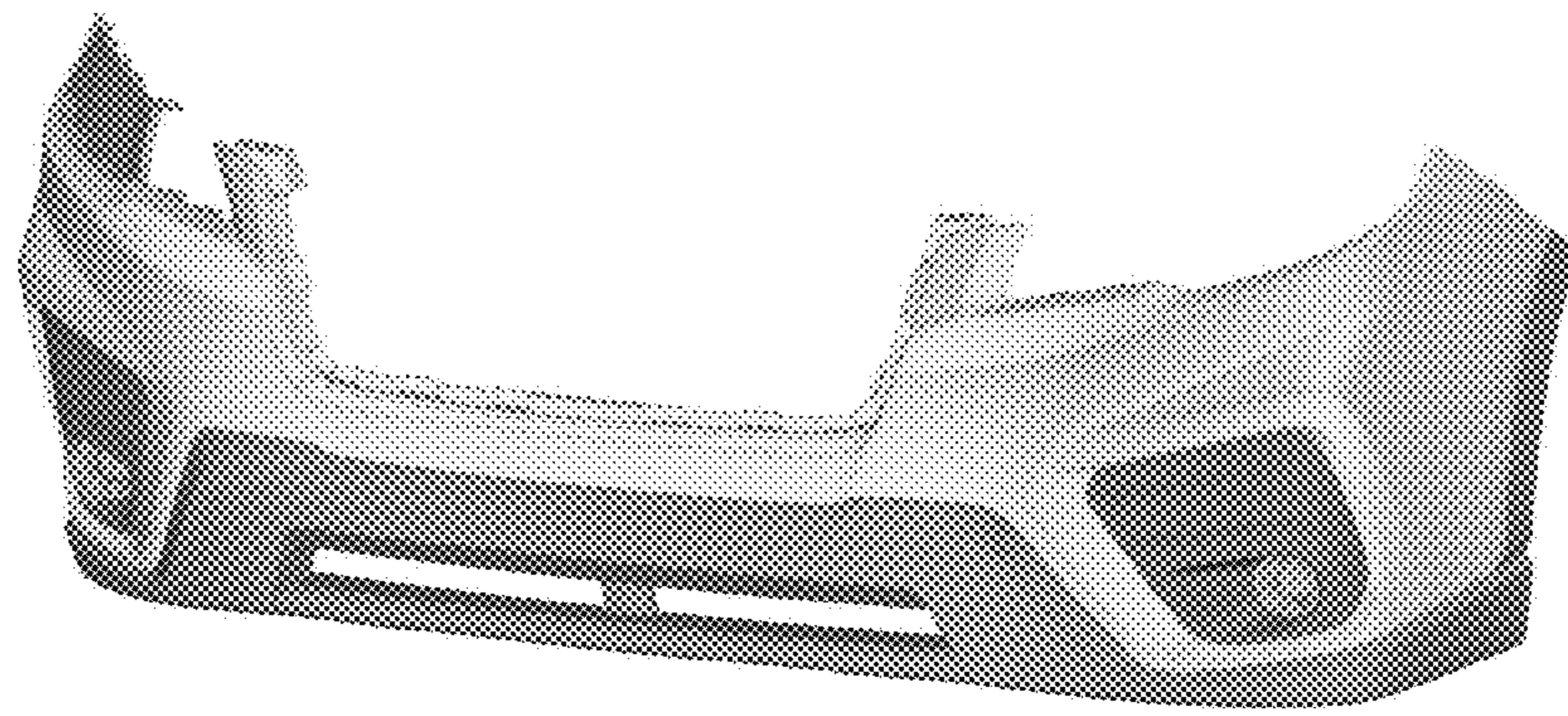


FIG. 1

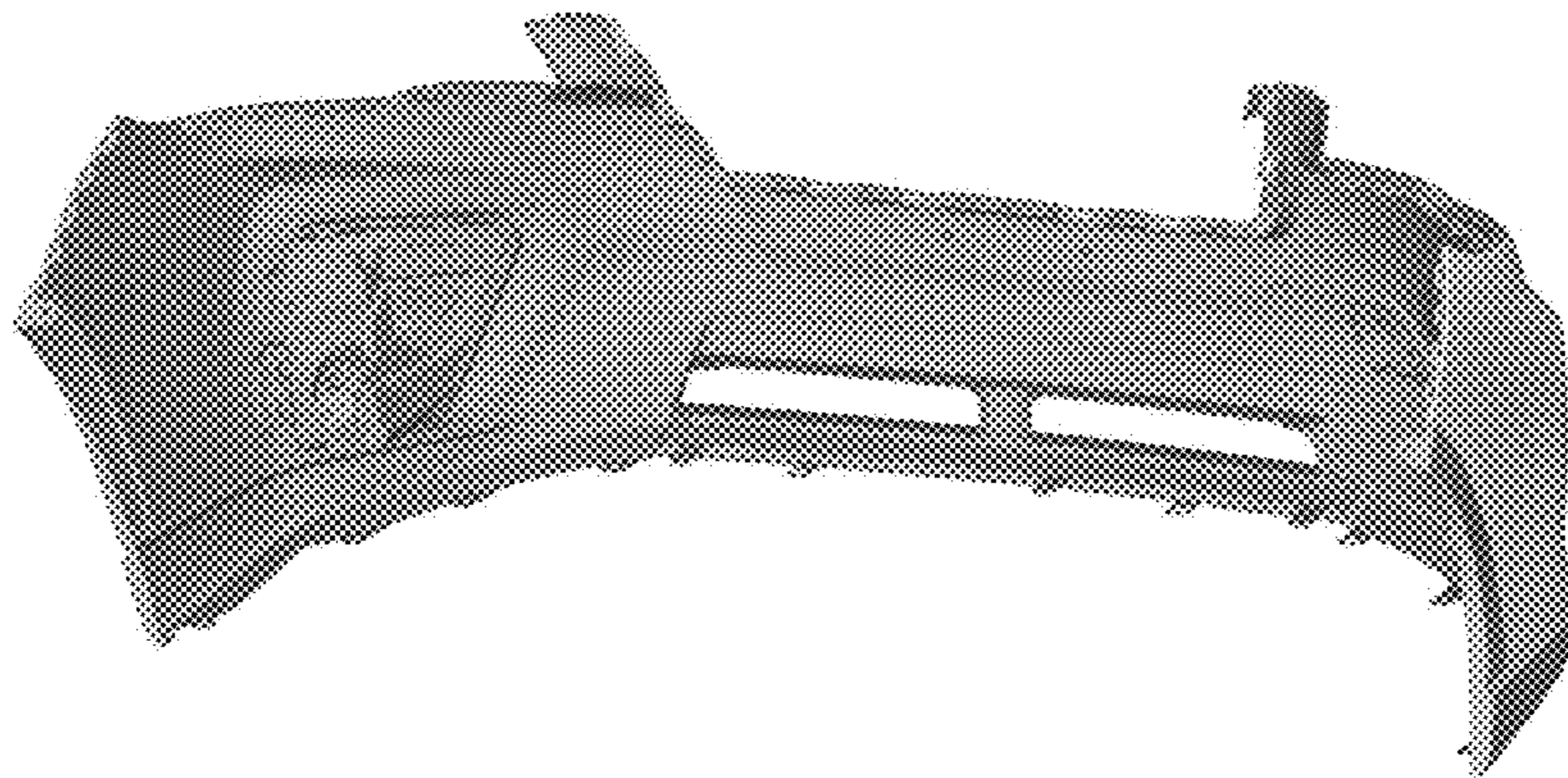


FIG. 2

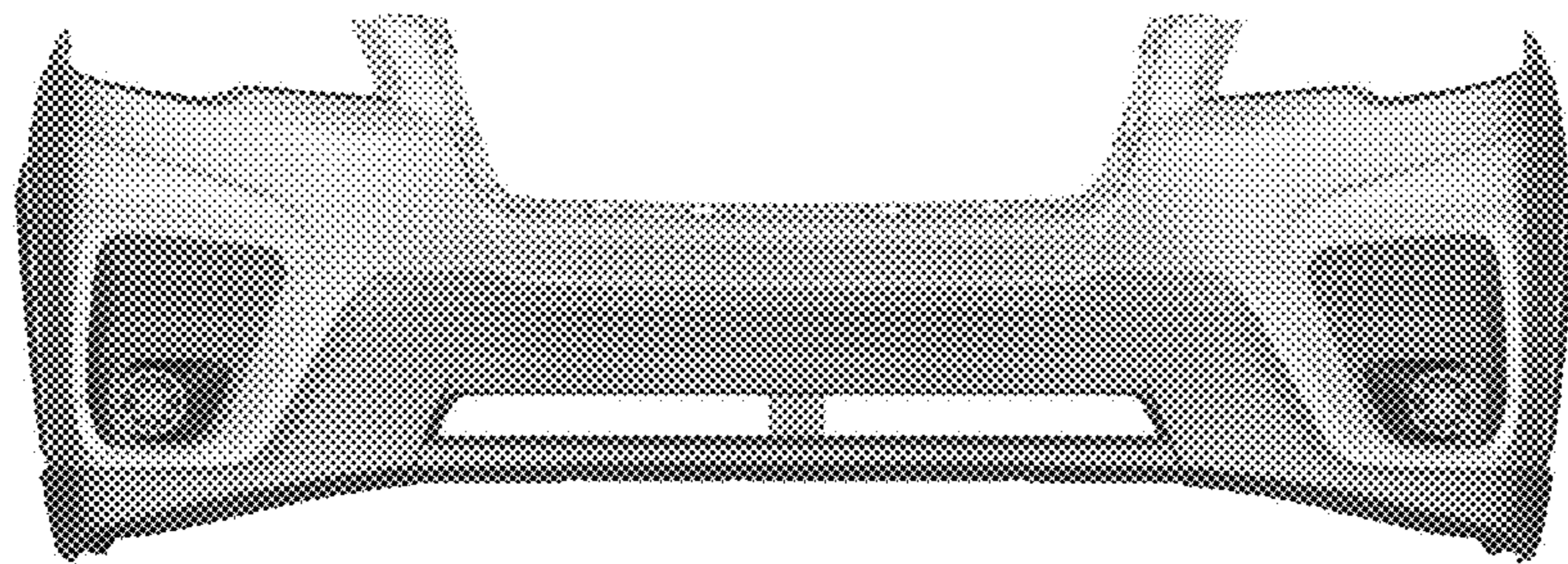


FIG. 3

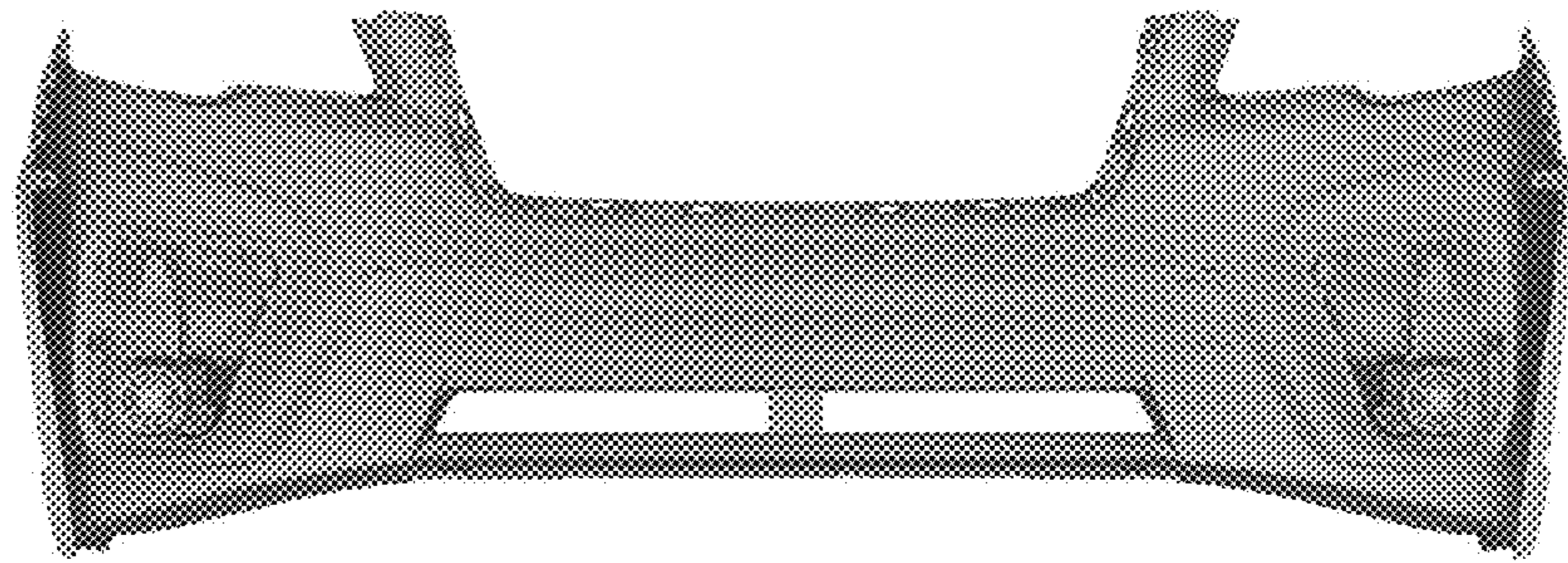


FIG. 4

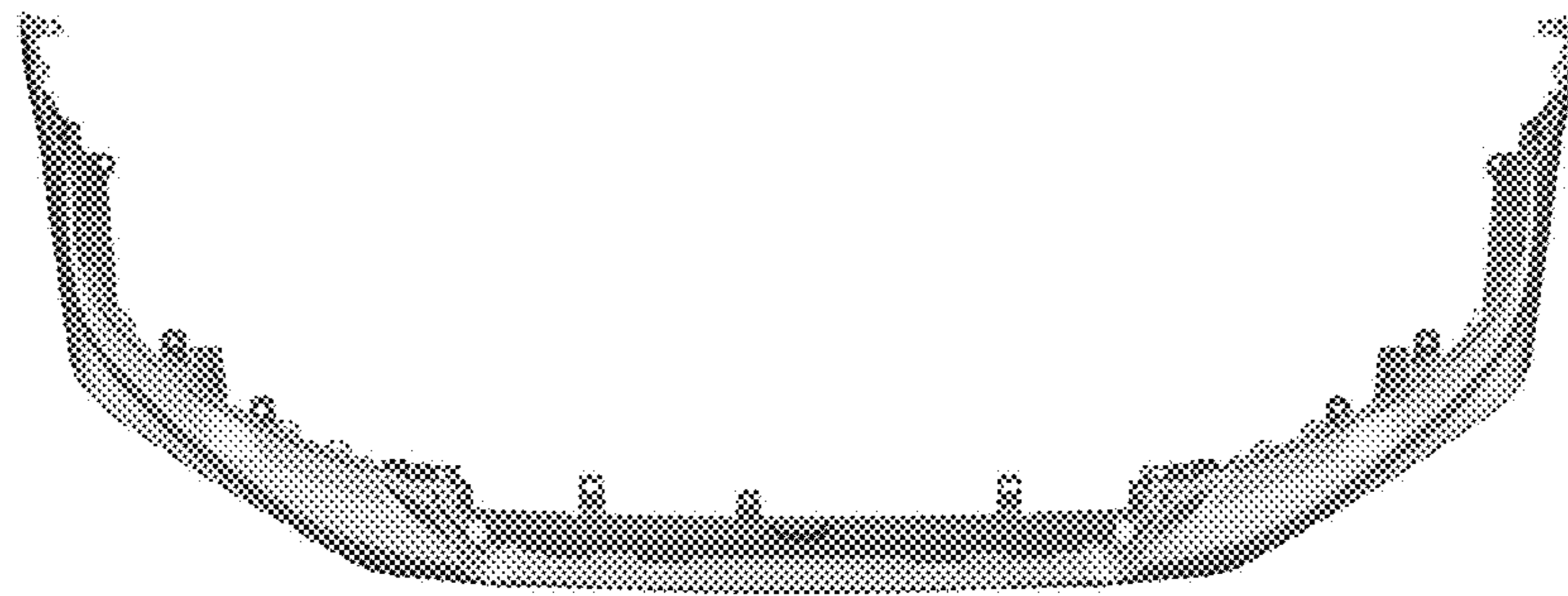


FIG. 5

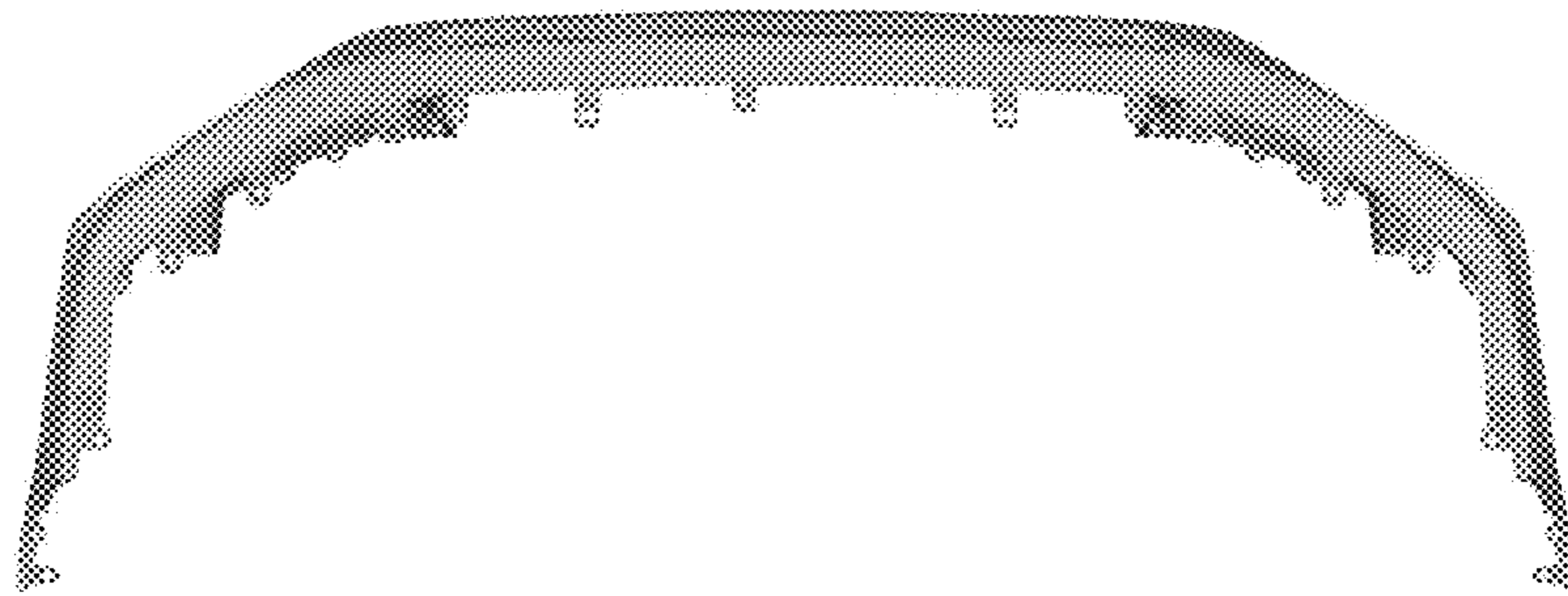


FIG. 6

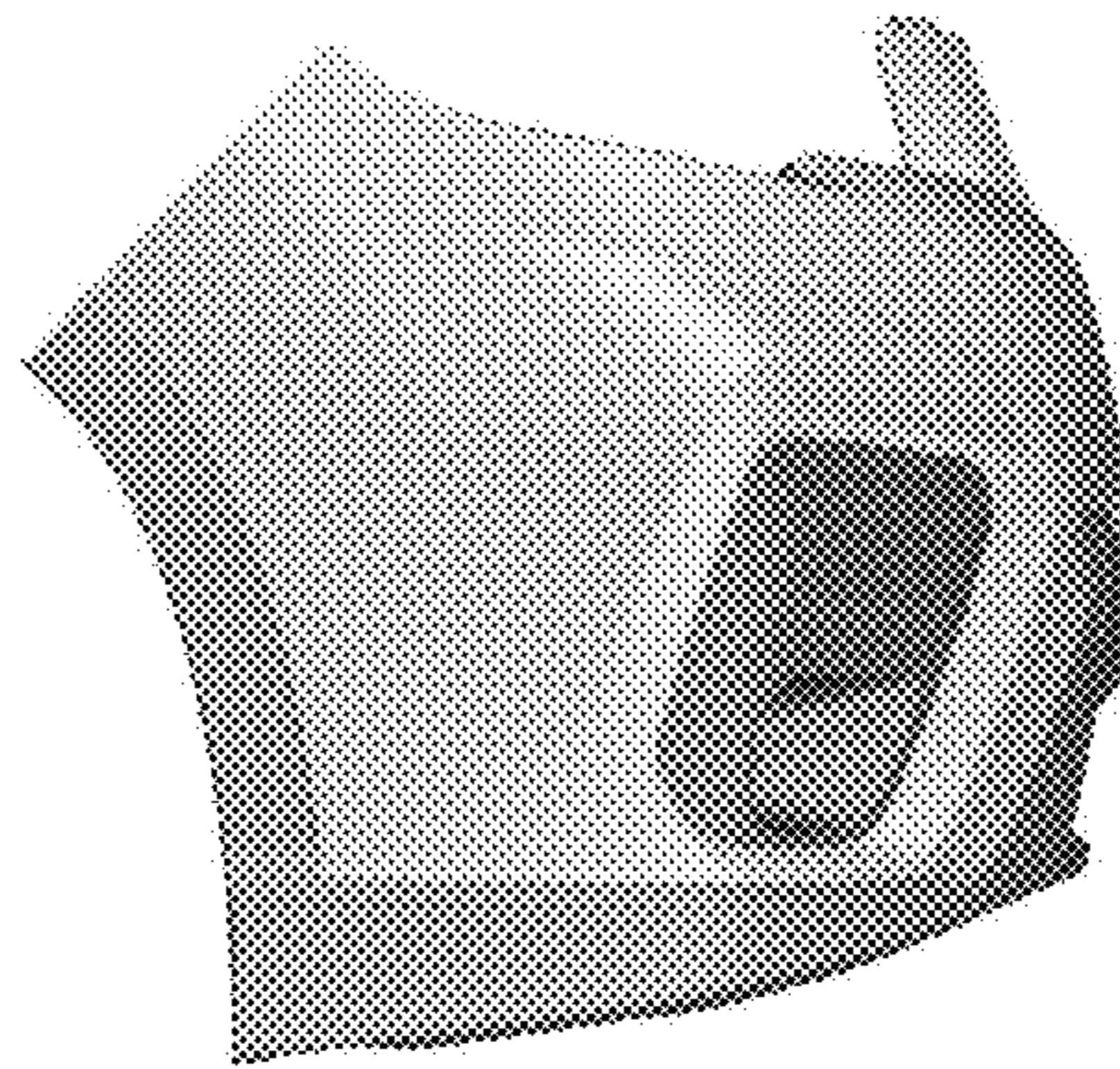


FIG. 7

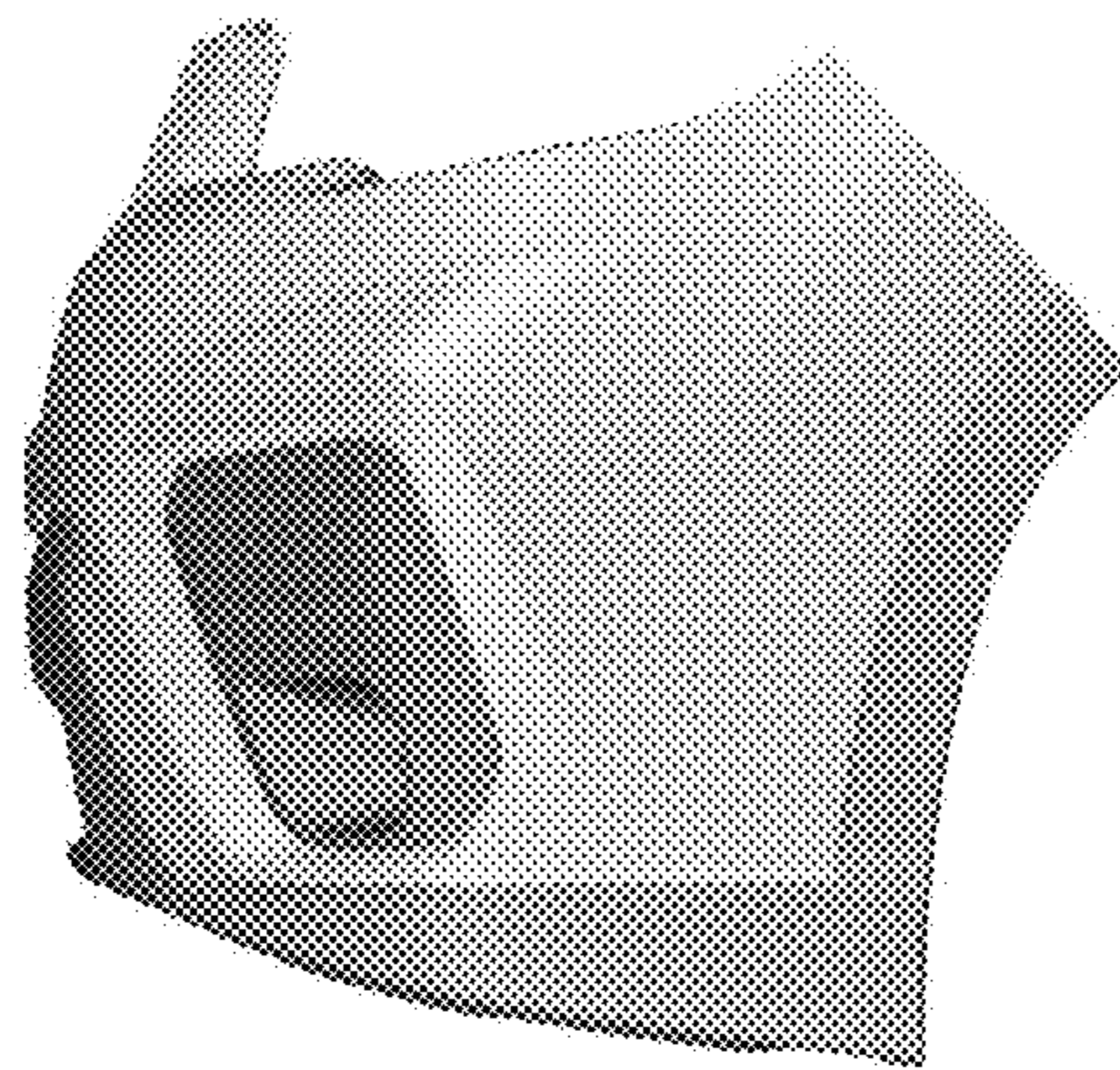


FIG. 8