



US00D866418S

(12) **United States Design Patent** (10) **Patent No.:** **US D866,418 S**
Peplowski (45) **Date of Patent:** **** Nov. 12, 2019**

(54) **REAR BUMPER FOR A VEHICLE**
(71) Applicant: **Bayerische Motoren Werke Aktiengesellschaft, Munich (DE)**

D824,818 S * 8/2018 Morikawa D12/169
D826,113 S * 8/2018 Kanai D12/169
D840,883 S * 2/2019 Cartabiano D12/169
D841,537 S * 2/2019 Morikawa D12/169

(72) Inventor: **Jacek Peplowski, Munich (DE)**
(73) Assignee: **Bayerische Motoren Werke Aktiengesellschaft, Munich (DE)**

FOREIGN PATENT DOCUMENTS

EM 001132864-0002 6/2009
EM 001829227-0002 3/2011
WO WO DM/095565 10/2017

(**) Term: **15 Years**
(21) Appl. No.: **29/650,340**
(22) Filed: **Jun. 6, 2018**

* cited by examiner
Primary Examiner — Melody N Brown
(74) *Attorney, Agent, or Firm* — Crowell & Moring LLP

(30) **Foreign Application Priority Data**
Dec. 13, 2017 (DE) 40 2017 101 348

(57) **CLAIM**
The ornamental design for a rear bumper for a vehicle, as shown and described.

(51) **LOC (12) Cl.** **12-16**
(52) **U.S. Cl.**
USPC **D12/169**

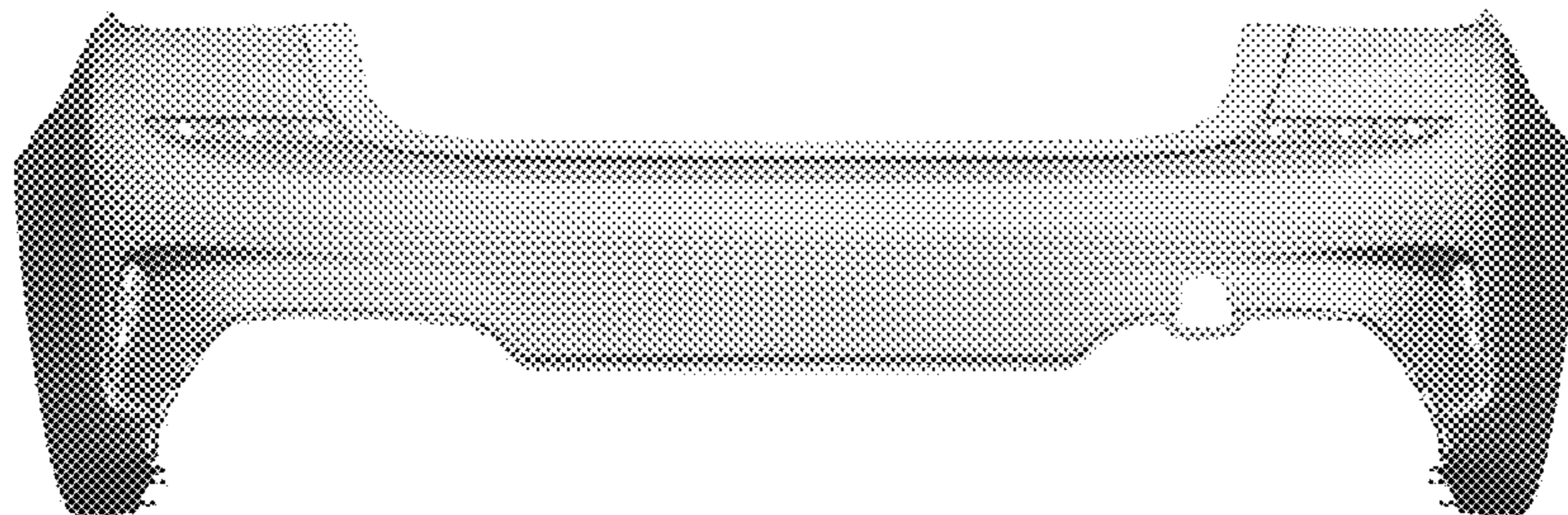
DESCRIPTION

(58) **Field of Classification Search**
USPC D12/169, 164, 196, 171, 163, 86, 90-92;
293/102, 113, 115, 117, 120; 296/180.1,
296/180.2
CPC B60R 19/02; B60R 19/04; B62D 25/08
See application file for complete search history.

This application contains subject matter related to the following co-pending U.S. design patent applications:
Application Ser. No. 29/650,331, filed herewith and entitled "Rear Bumper for a Vehicle";
Application Ser. No. 29/650,336, filed herewith and entitled "Rear Bumper for a Vehicle"; and
Application Ser. No. 29/650,341, filed herewith and entitled "Rear Bumper for a Vehicle".
FIG. 1 is a front view of a rear bumper for a vehicle according to the design;
FIG. 2 is a left, front perspective view thereof;
FIG. 3 is a right, front perspective view thereof;
FIG. 4 is a left side view thereof;
FIG. 5 is a right side view thereof;
FIG. 6 is a top view thereof;
FIG. 7 is a bottom view thereof; and,
FIG. 8 is a rear view thereof.

(56) **References Cited**
U.S. PATENT DOCUMENTS
D610,498 S 2/2010 Truebsbach
D725,010 S * 3/2015 Takei D12/169
D744,913 S 12/2015 Leclercq
D765,567 S 9/2016 De Bono
D782,373 S * 3/2017 Curic D12/169
D792,291 S * 7/2017 Suga D12/169
D800,034 S * 10/2017 Kojima D12/169
D802,500 S * 11/2017 Han D12/169
D824,301 S 7/2018 Lim
D824,817 S * 8/2018 Morikawa D12/169

1 Claim, 8 Drawing Sheets



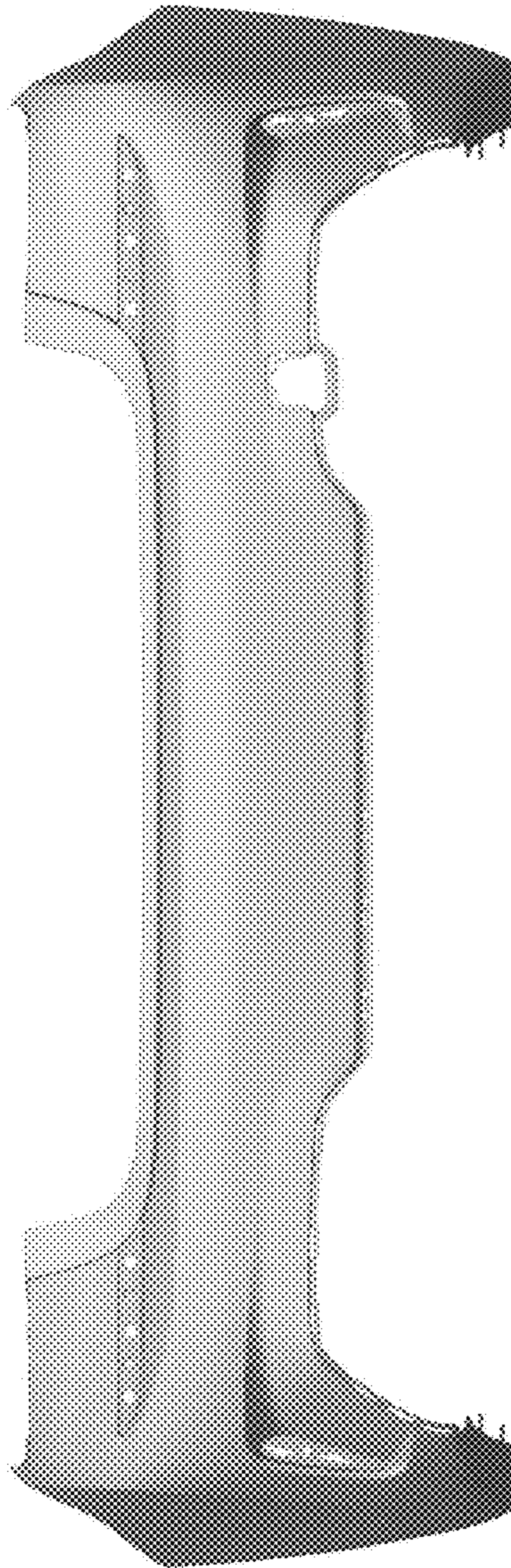


Fig. 1

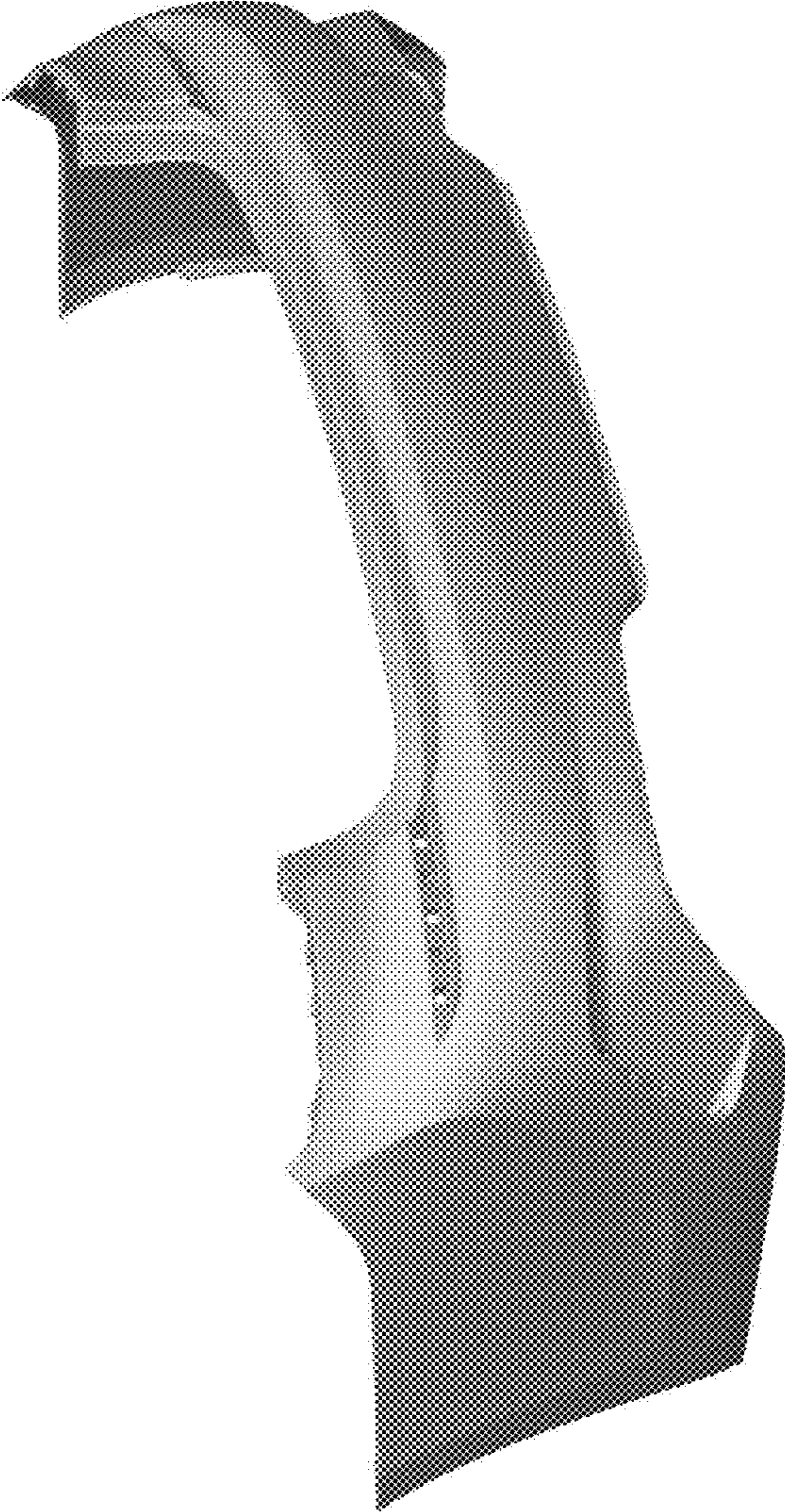


Fig. 2

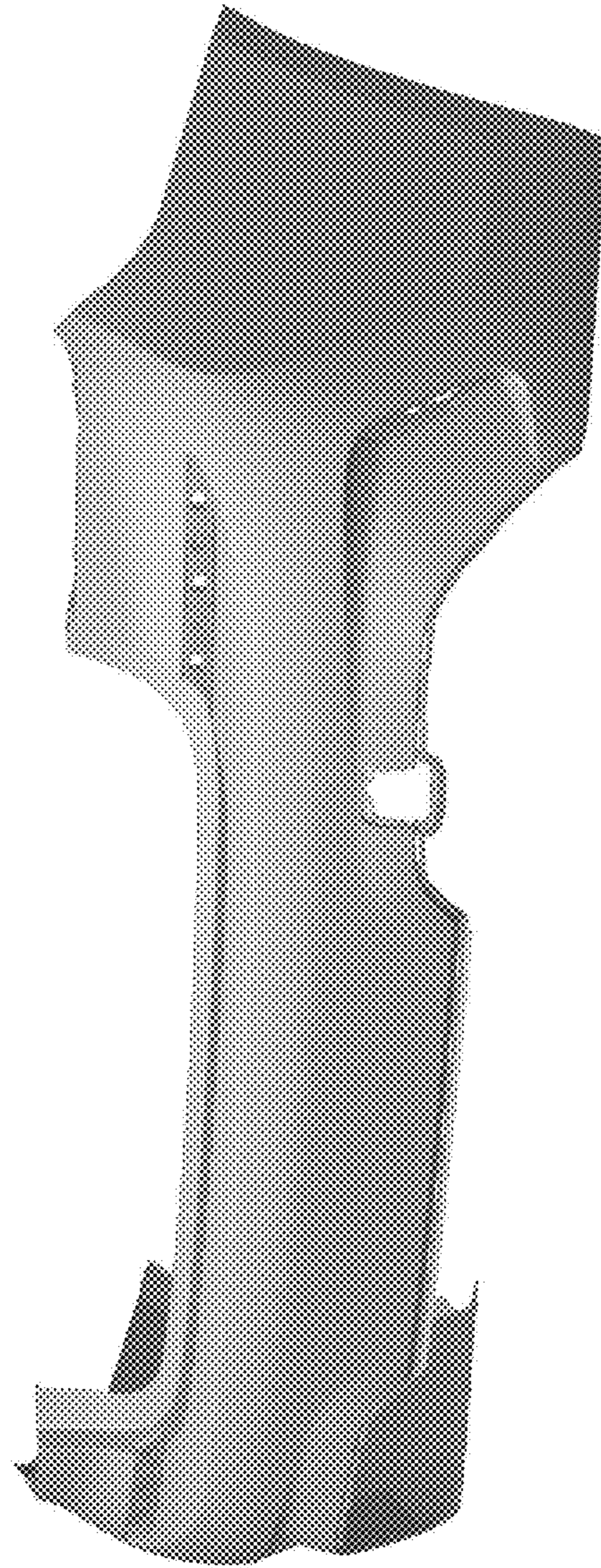


Fig. 3

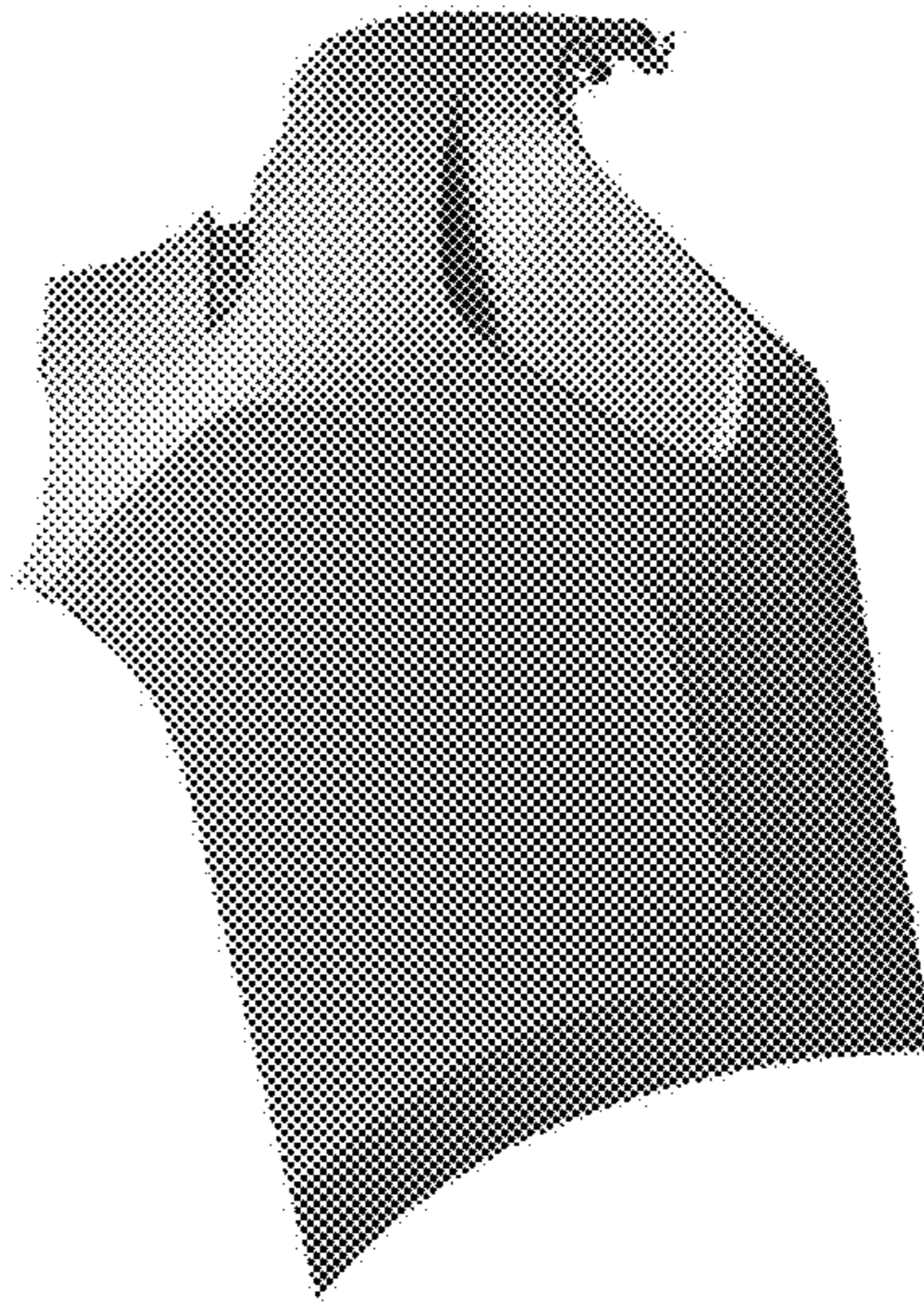


Fig. 4

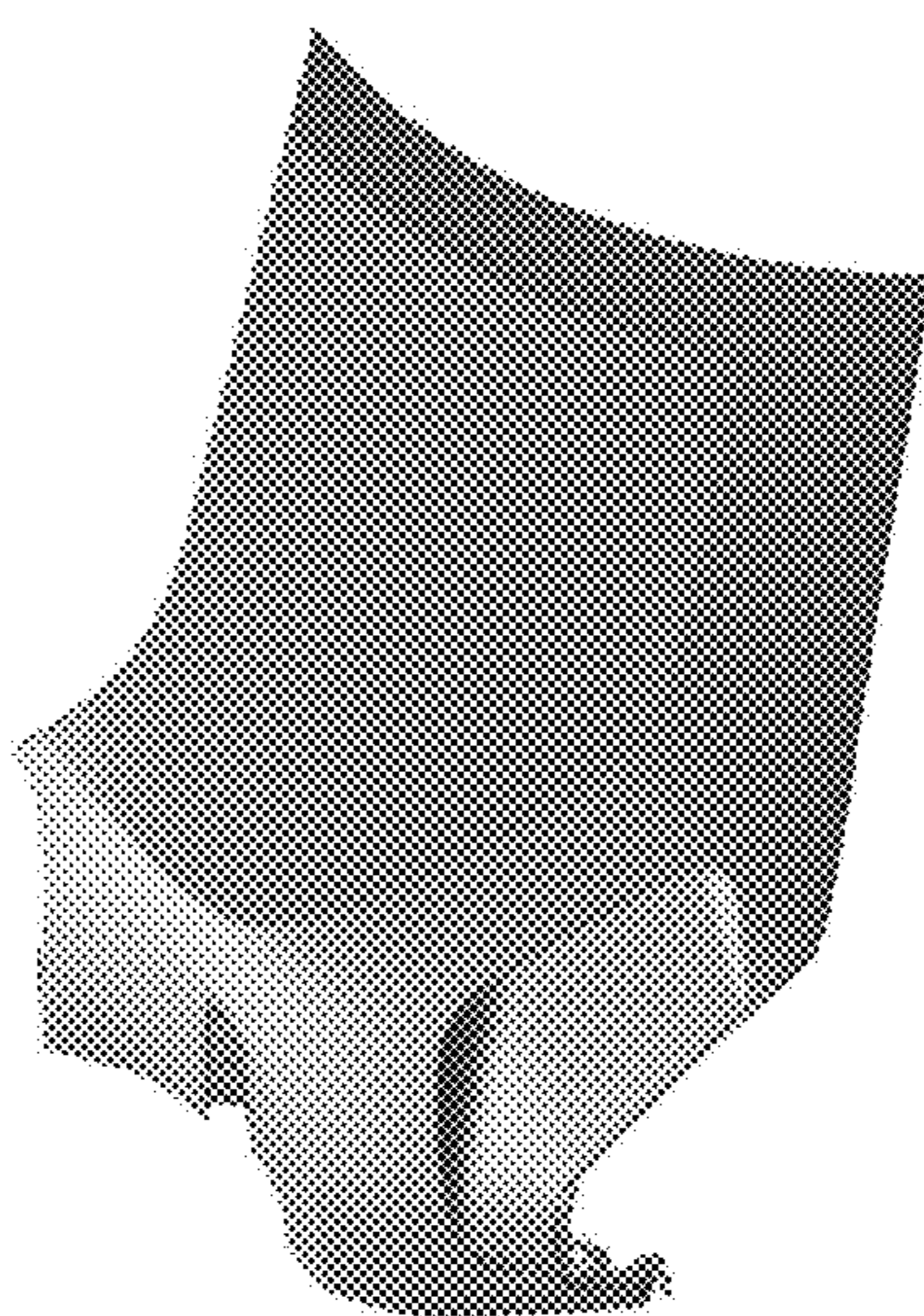


Fig. 5



Fig. 6



Fig. 7

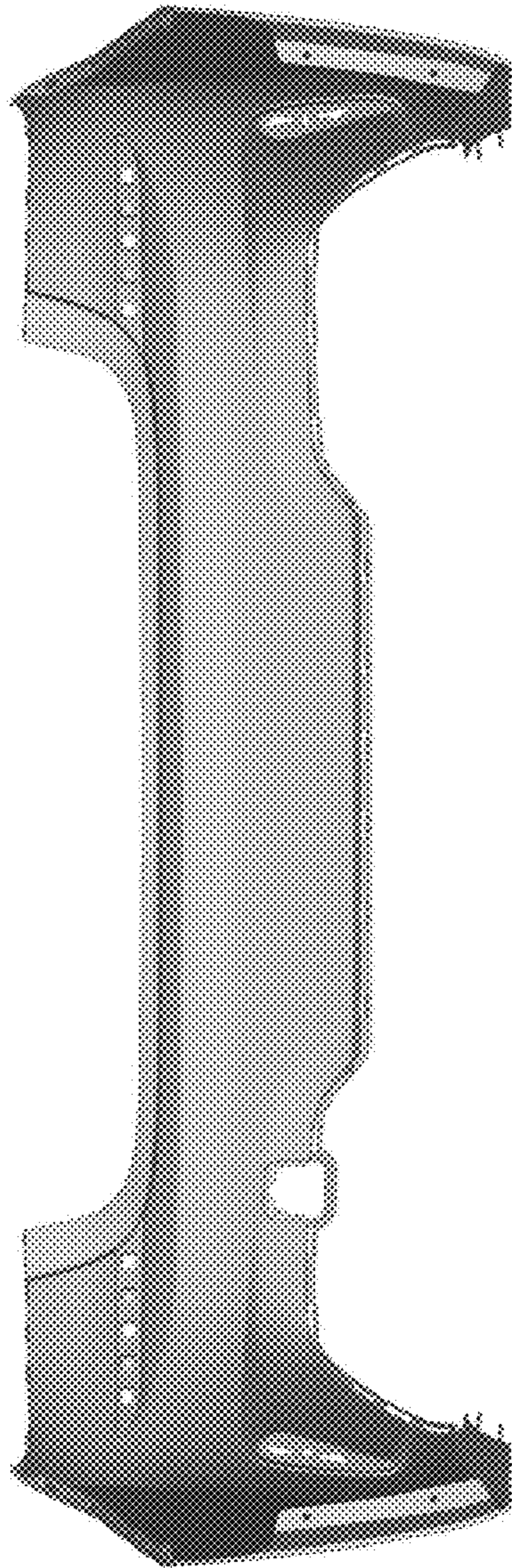


Fig. 8