



US00D866417S

(12) **United States Design Patent** (10) **Patent No.:** **US D866,417 S**  
**Forschner** (45) **Date of Patent:** **\*\* Nov. 12, 2019**

(54) **REAR BUMPER FOR A VEHICLE**

(71) Applicant: **Bayerische Motoren Werke Aktiengesellschaft, Munich (DE)**

(72) Inventor: **Anne Kristina Forschner, Munich (DE)**

(73) Assignee: **Bayerische Motoren Werke Aktiengesellschaft, Munich (DE)**

(\*\*) Term: **15 Years**

(21) Appl. No.: **29/650,336**

(22) Filed: **Jun. 6, 2018**

(30) **Foreign Application Priority Data**

Dec. 13, 2017 (DE) ..... 40 2017 101 348

(51) **LOC (12) Cl.** ..... **12-16**

(52) **U.S. Cl.**  
USPC ..... **D12/169**

(58) **Field of Classification Search**  
USPC .... D12/169, 164, 196, 171, 163, 86, 90-92;  
293/102, 113, 115, 117, 120; 296/180.1,  
296/180.2

CPC ..... B60R 19/02; B60R 19/04; B62D 25/08  
See application file for complete search history.

(56) **References Cited**

**U.S. PATENT DOCUMENTS**

- D744,913 S 12/2015 Leclercq
- D765,567 S 9/2016 De Bono
- D773,351 S \* 12/2016 Munakata ..... D12/169
- D773,352 S \* 12/2016 Munakata ..... D12/169
- D779,395 S \* 2/2017 Horie ..... D12/169
- D784,866 S \* 4/2017 Hill ..... D12/169
- D786,746 S \* 5/2017 Wheel ..... D12/169
- D792,291 S \* 7/2017 Suga ..... D12/169
- D793,927 S \* 8/2017 Potter ..... D12/169
- D797,617 S \* 9/2017 Mori ..... D12/169

- D801,883 S \* 11/2017 Fujiwara ..... D12/169
- D801,885 S \* 11/2017 Melikian ..... D12/169
- D808,871 S \* 1/2018 Peat ..... D12/169
- D813,114 S \* 3/2018 Zurian ..... D12/169
- D813,742 S \* 3/2018 McMahan ..... D12/169
- D813,756 S \* 3/2018 Loeb ..... D12/169
- D818,402 S \* 5/2018 Kawakami ..... D12/169
- D824,301 S 7/2018 Lim

(Continued)

**FOREIGN PATENT DOCUMENTS**

WO WO DM/095565 10/2017

*Primary Examiner* — Melody N Brown

(74) *Attorney, Agent, or Firm* — Crowell & Moring LLP

(57) **CLAIM**

The ornamental design for a rear bumper for a vehicle, as shown and described.

**DESCRIPTION**

This application contains subject matter related to the following co-pending U.S. design patent applications:

Application Ser. No. 29/650,331, filed herewith and entitled “Rear Bumper for a Vehicle”;

Application Ser. No. 29/650,333, filed herewith and entitled “Vehicle, Toy, and/or Replicas Thereof”;

Application Ser. No. 29/650,340, filed herewith and entitled “Rear Bumper for a Vehicle”; and

Application Ser. No. 29/650,341, filed herewith and entitled “Rear Bumper for a Vehicle”.

FIG. 1 is a front view of a rear bumper for a vehicle according to the design;

FIG. 2 is a left, front perspective view thereof;

FIG. 3 is a right, front perspective view thereof;

FIG. 4 is a left side view thereof;

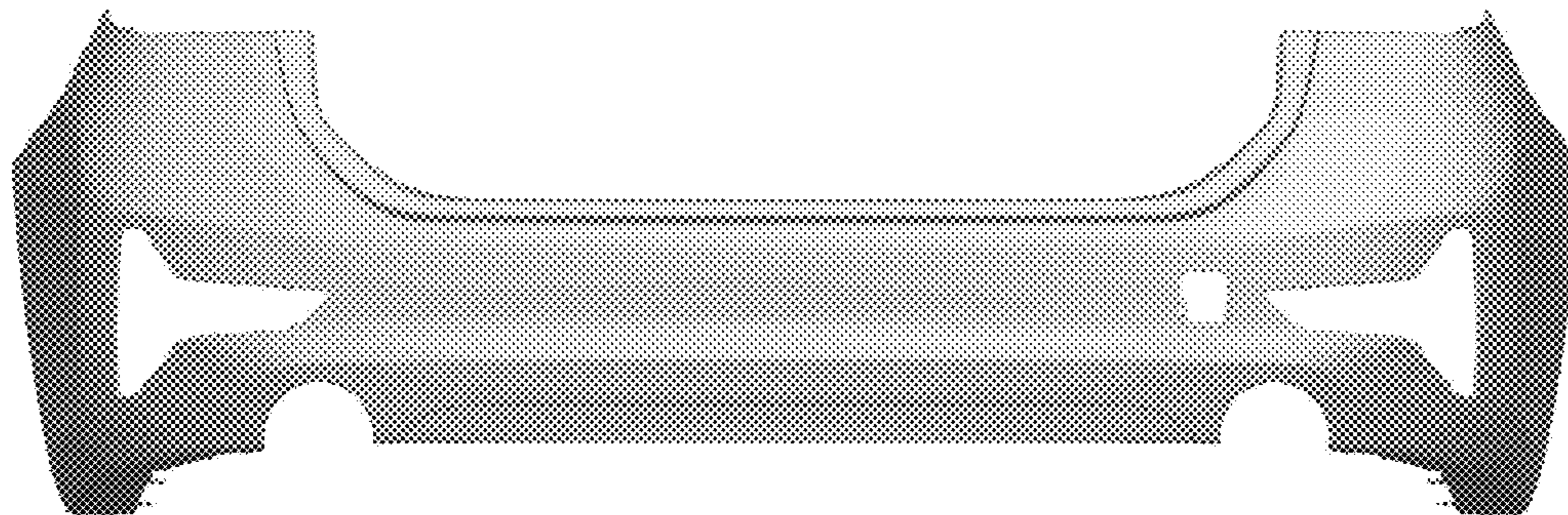
FIG. 5 is a right side view thereof;

FIG. 6 is a top view thereof;

FIG. 7 is a bottom view thereof; and,

FIG. 8 is a rear view thereof.

**1 Claim, 8 Drawing Sheets**



(56)

**References Cited**

U.S. PATENT DOCUMENTS

D824,415 S	*	7/2018	Harvey	.....	D14/487
D825,409 S	*	8/2018	Kayakabe	.....	D12/169
D825,413 S	*	8/2018	Luk	.....	D12/169
D842,771 S	*	3/2019	Nishii	.....	D12/169

\* cited by examiner

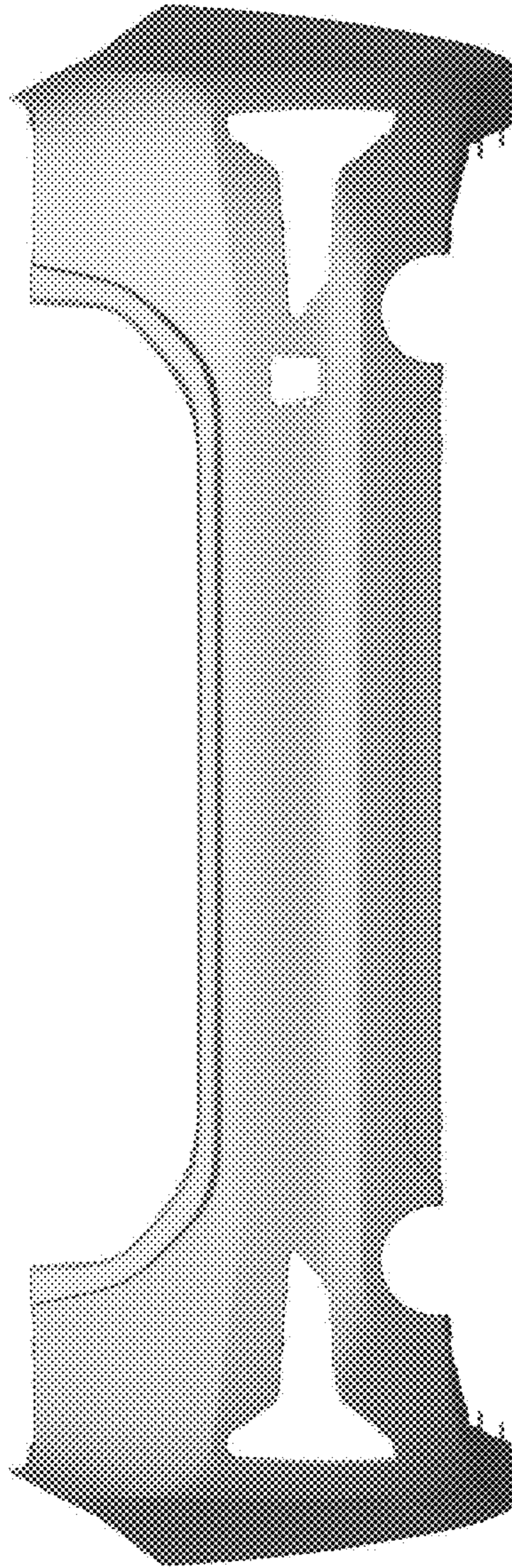


Fig. 1

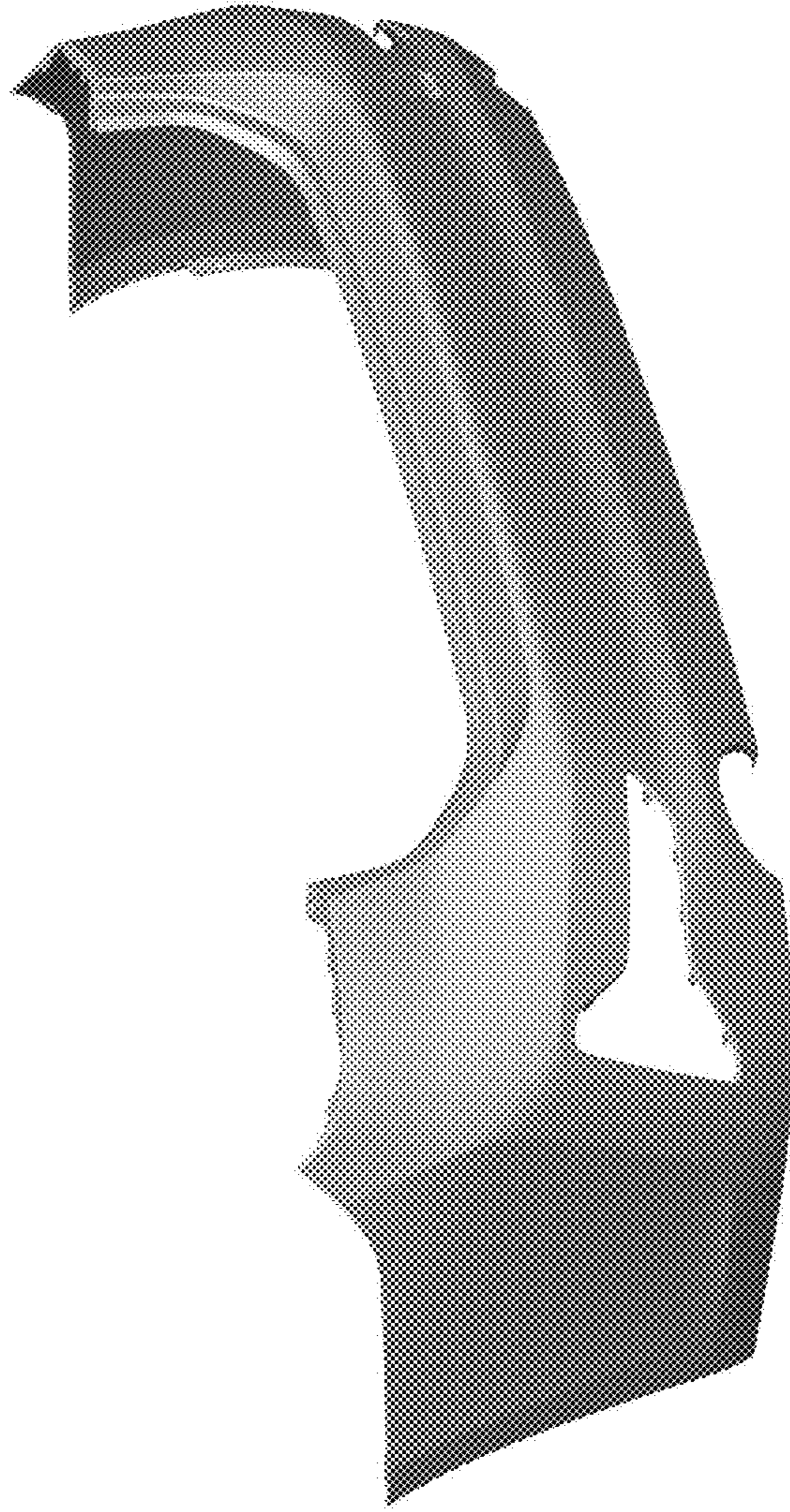


Fig. 2

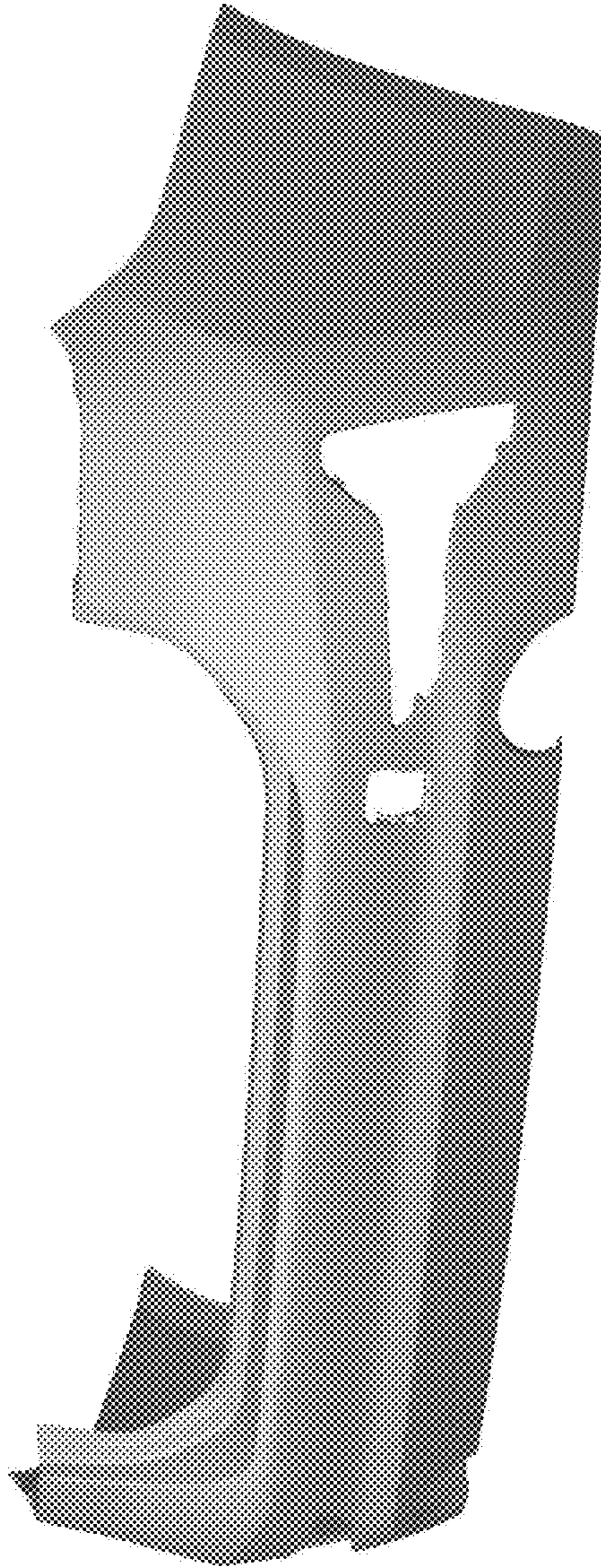


Fig. 3

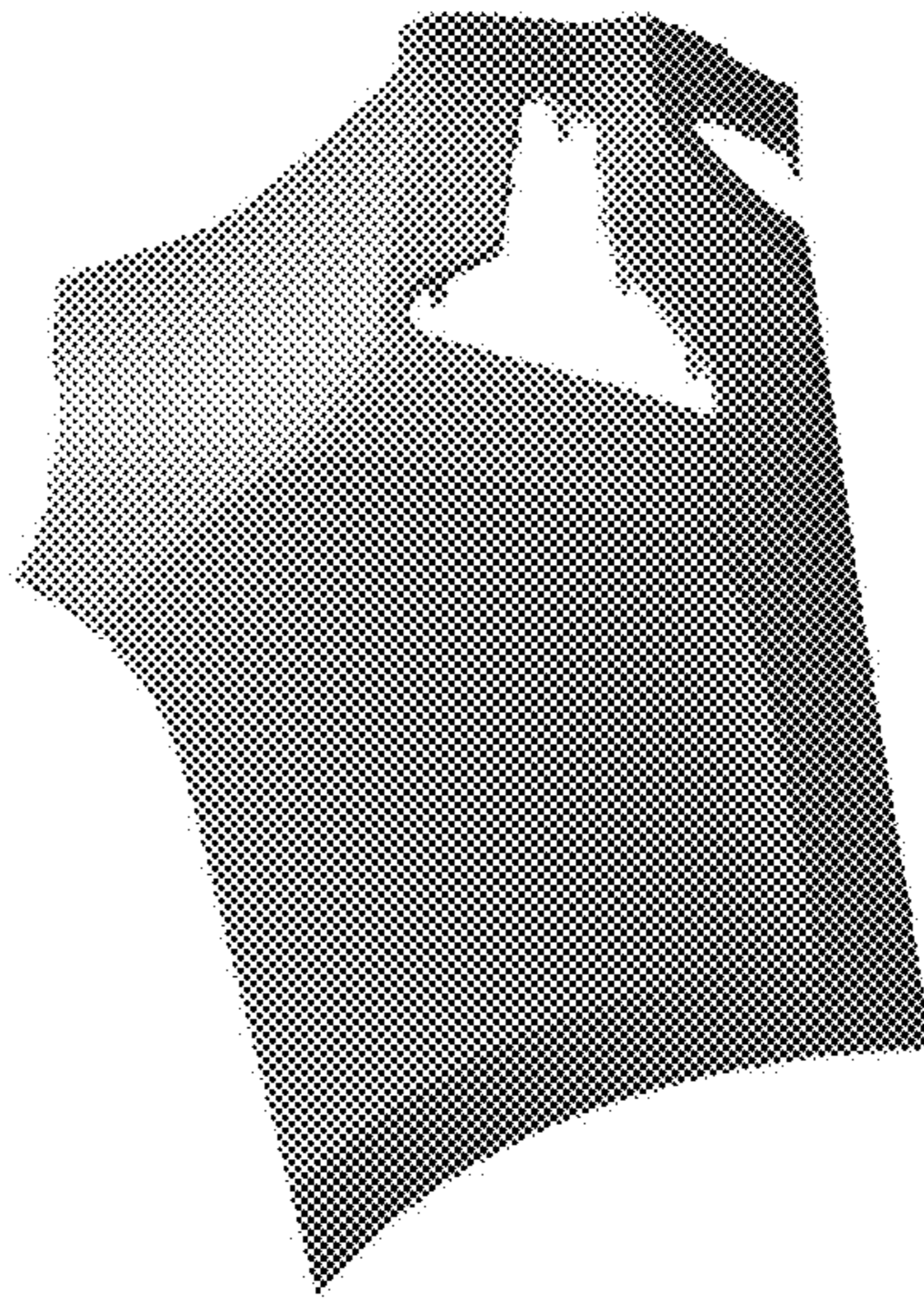


Fig. 4

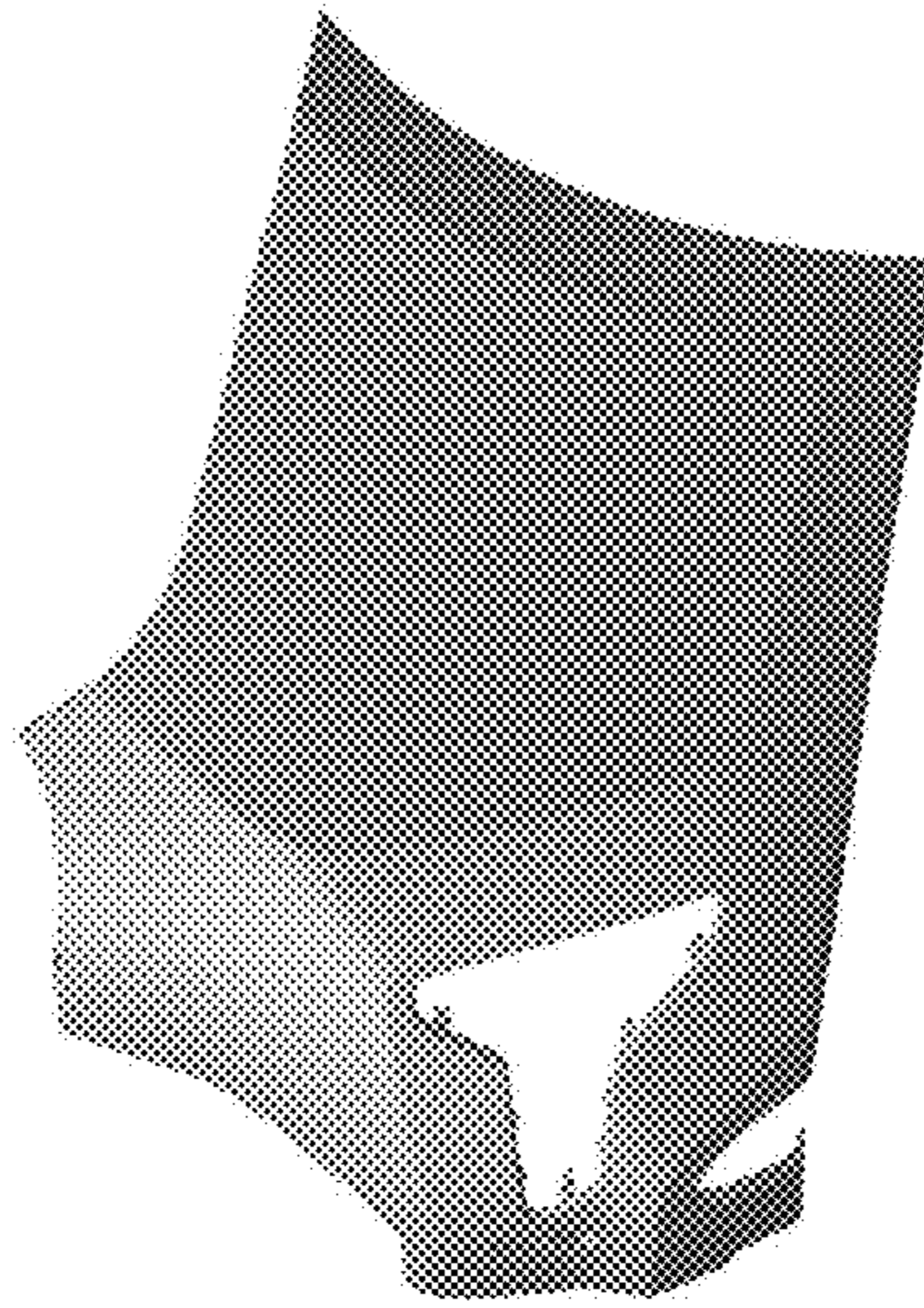


Fig. 5

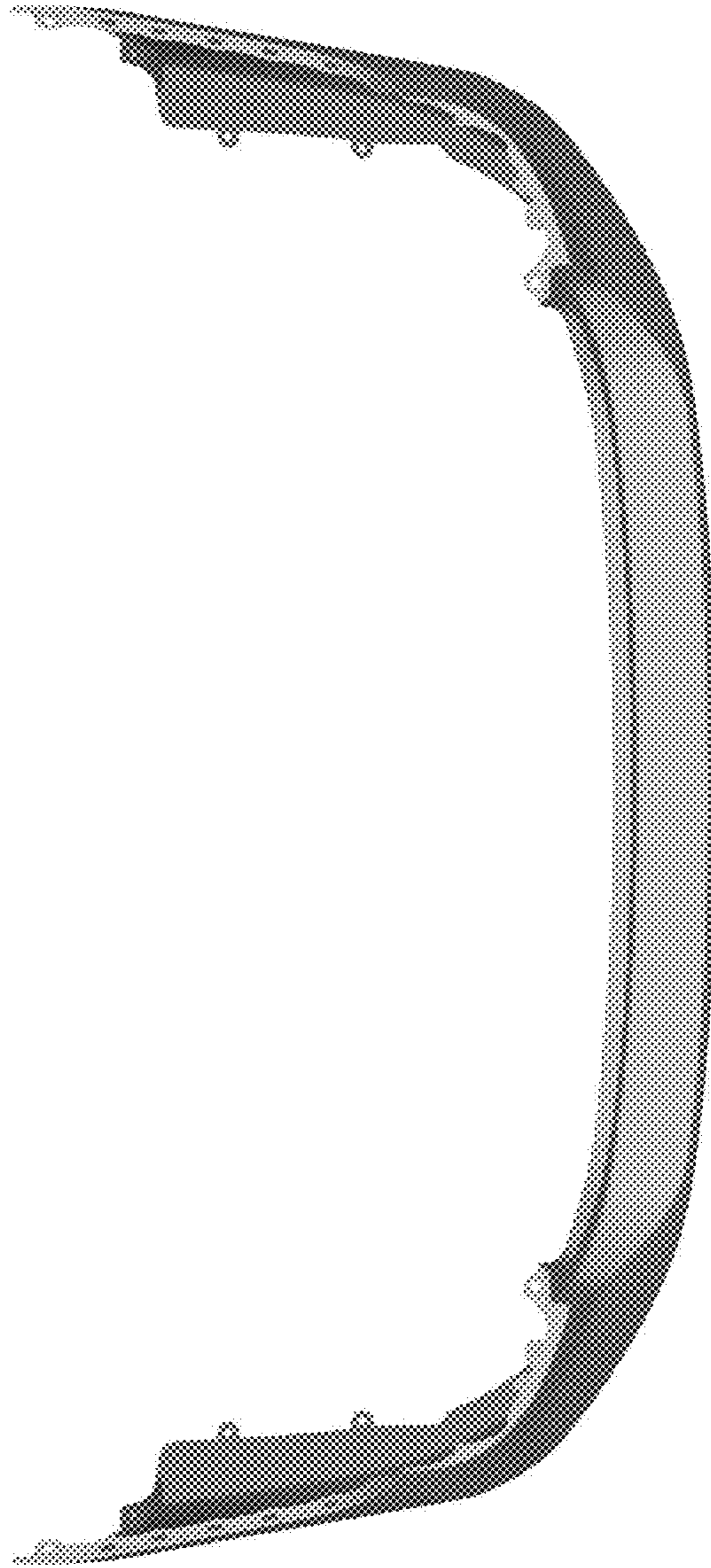


Fig. 6



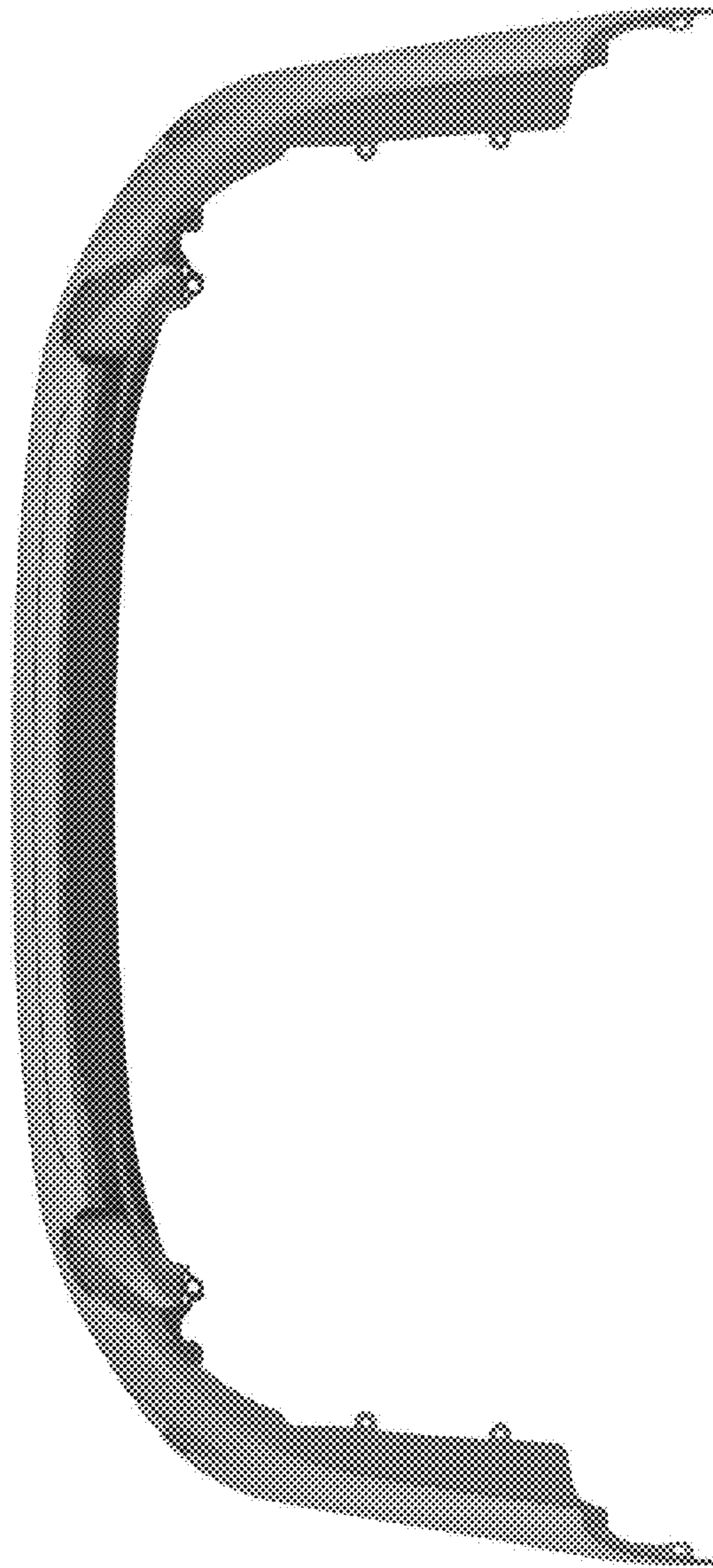


Fig. 7

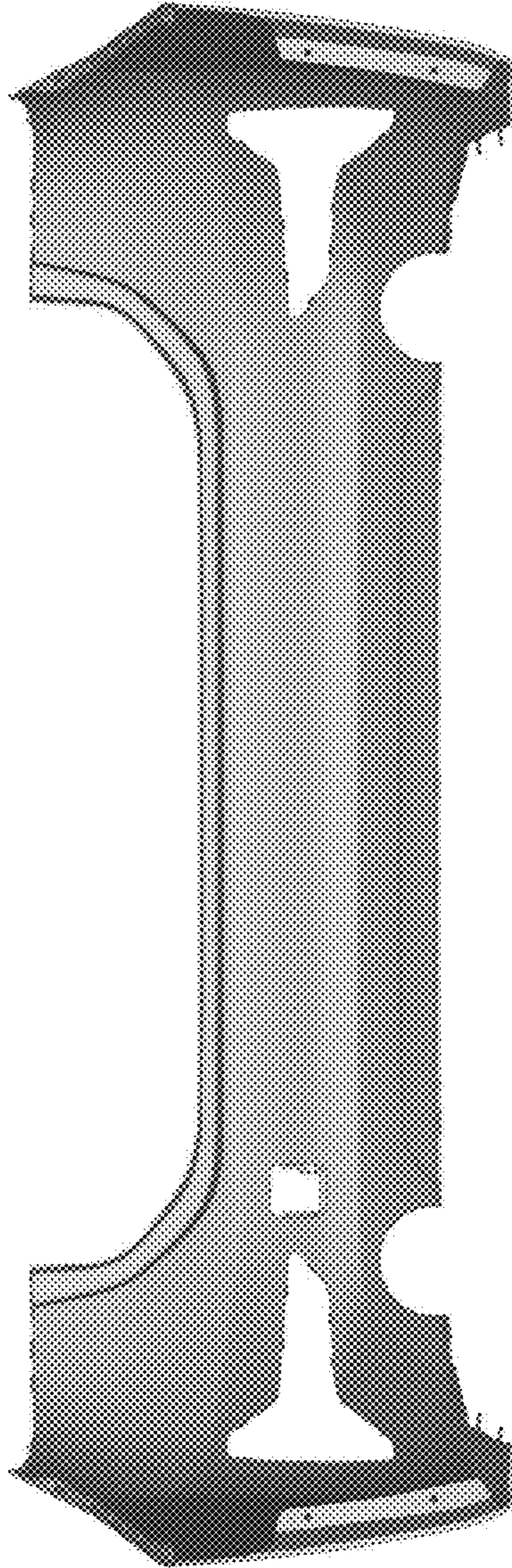


Fig. 8