



US00D866412S

(12) **United States Design Patent** (10) **Patent No.:** **US D866,412 S**  
**Williams** (45) **Date of Patent:** **\*\* Nov. 12, 2019**

(54) **RIGHT ANGLE SILENT HITCH PIN**

(56) **References Cited**

(71) Applicant: **Let's Go Aero**, Colorado Springs, CO (US)

U.S. PATENT DOCUMENTS

(72) Inventor: **Marty Williams**, Colorado Springs, CO (US)

D306,144 S *	2/1990	Haggstrom	.....	D10/83
D405,019 S *	2/1999	Neuman	.....	D10/83
D749,994 S *	2/2016	Verboeket	.....	D12/162
D749,999 S *	2/2016	Curic	.....	D12/169
D797,009 S *	9/2017	Verboeket	.....	D12/162
D847,037 S *	4/2019	Hancock	.....	D12/162

(73) Assignee: **Let's Go Aero, INC.**, Colorado Springs, CO (US)

\* cited by examiner

(\*\*) Term: **15 Years**

*Primary Examiner* — Abraham Bahta

(21) Appl. No.: **29/653,740**

(74) *Attorney, Agent, or Firm* — Tracy M Heims; Apex Juris, pllc.

(22) Filed: **Jun. 18, 2018**

(57) **CLAIM**

(51) **LOC (12) Cl.** ..... **12-16**

The ornamental design for a right angle silent hitch pin, as shown and described.

(52) **U.S. Cl.**

**DESCRIPTION**

USPC ..... **D12/162**

(58) **Field of Classification Search**

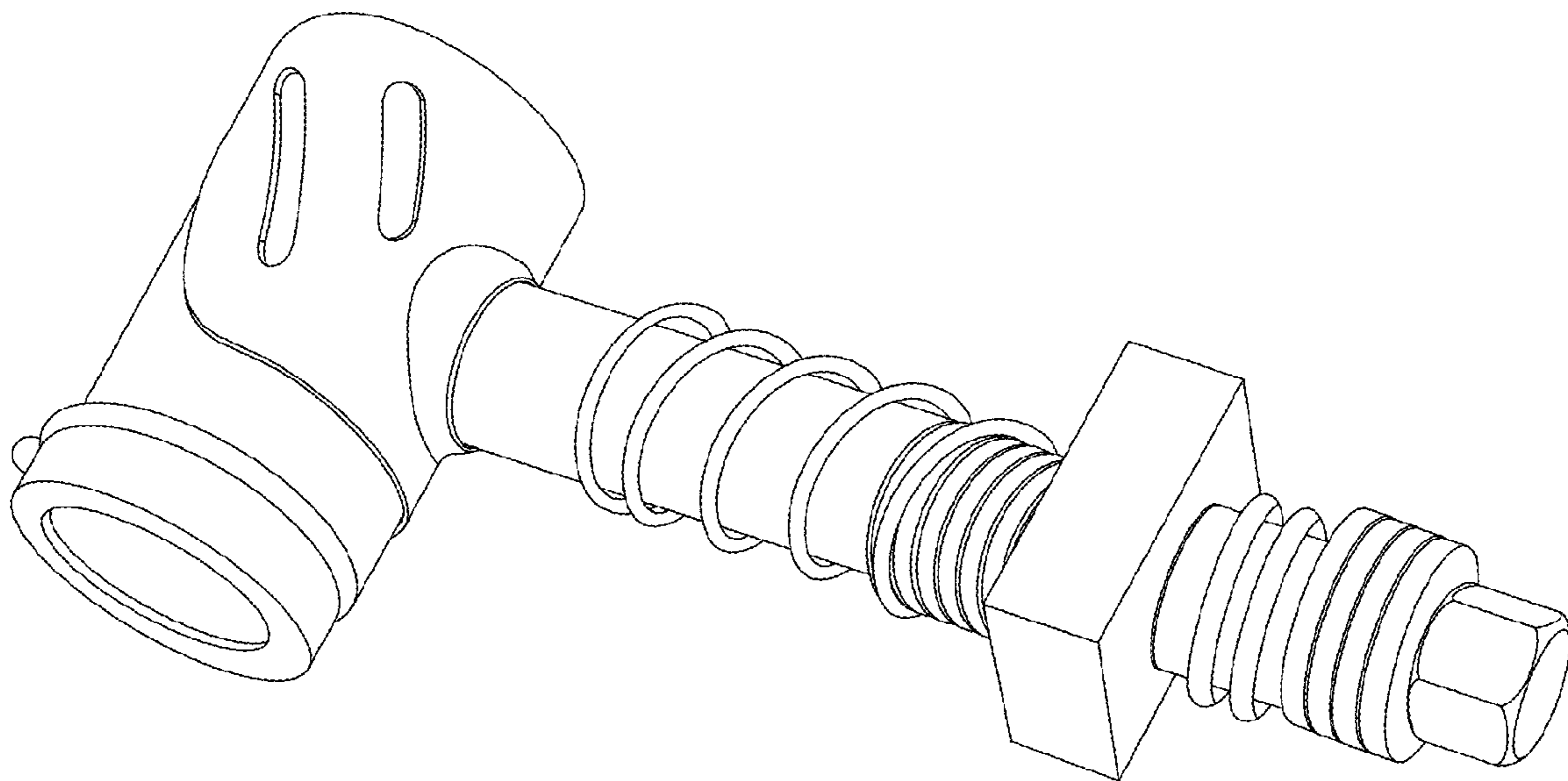
USPC ..... D12/106, 161-162, 199, 400; D3/215; D8/315, 318, 356, 780, 727; D21/315, D21/318; D29/111, 115, 116.3; 280/435, 280/441.1, 441.2, 455.1, 493, 504, 280/507-508; 224/42.11, 411.12, 411.14, 224/413, 488, 494, 500-502

CPC ... B60D 1/06; B60D 1/07; B60D 1/52; B60D 1/58; B60D 1/60

FIG. 1 is an elevated perspective view of the right angle silent hitch pin showing my new design;  
 FIG. 2 is a left-side end view thereof.  
 FIG. 3 is a right-side end view thereof.  
 FIG. 4 is a back-side view thereof.  
 FIG. 5 is a front-side view thereof.  
 FIG. 6 is a back-side view of the right angle silent hitch pin in an upright position; and,  
 FIG. 7 is a front side view of the right angle silent hitch pin in an upright position.

See application file for complete search history.

**1 Claim, 6 Drawing Sheets**



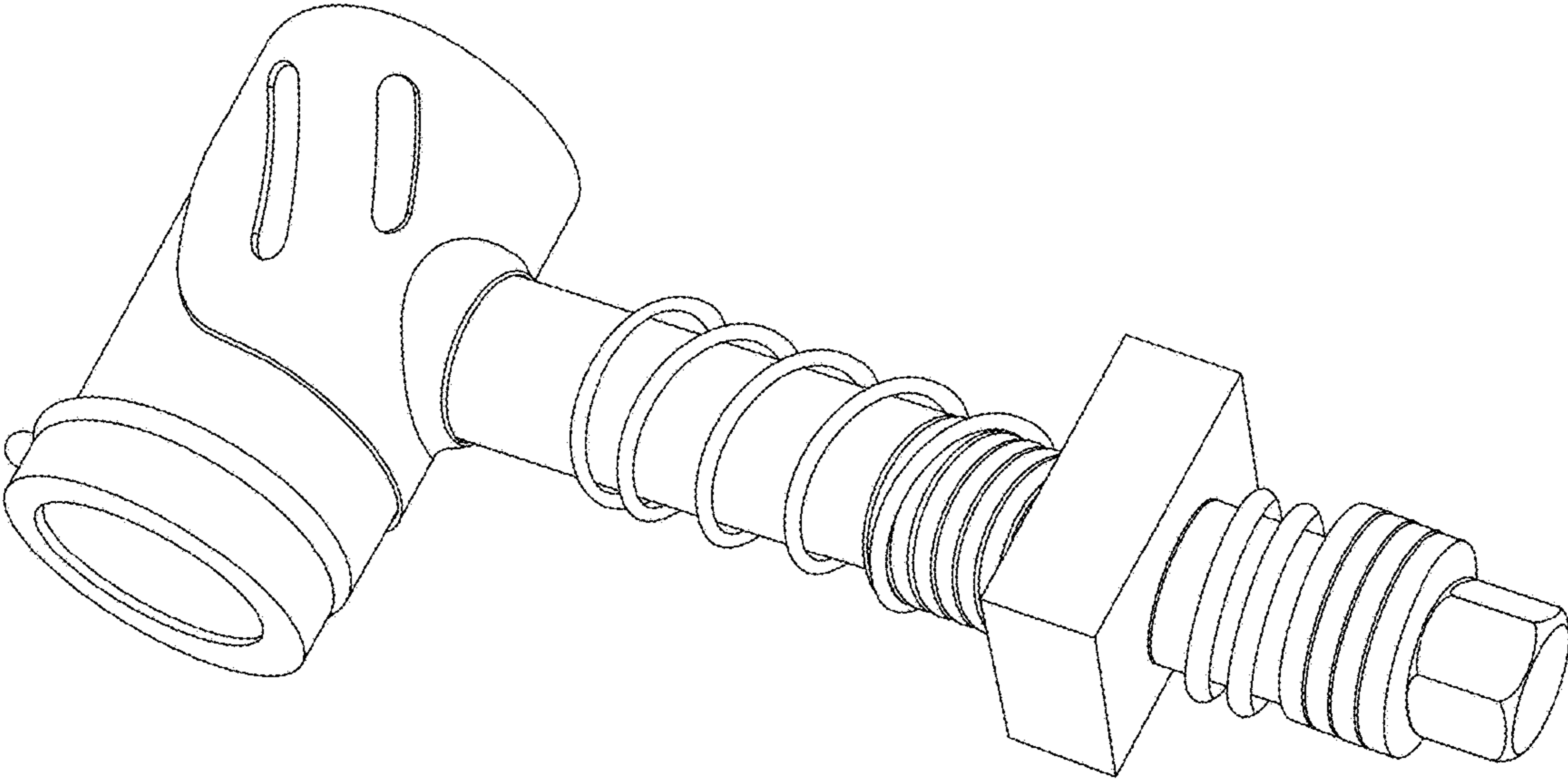


FIG. 1

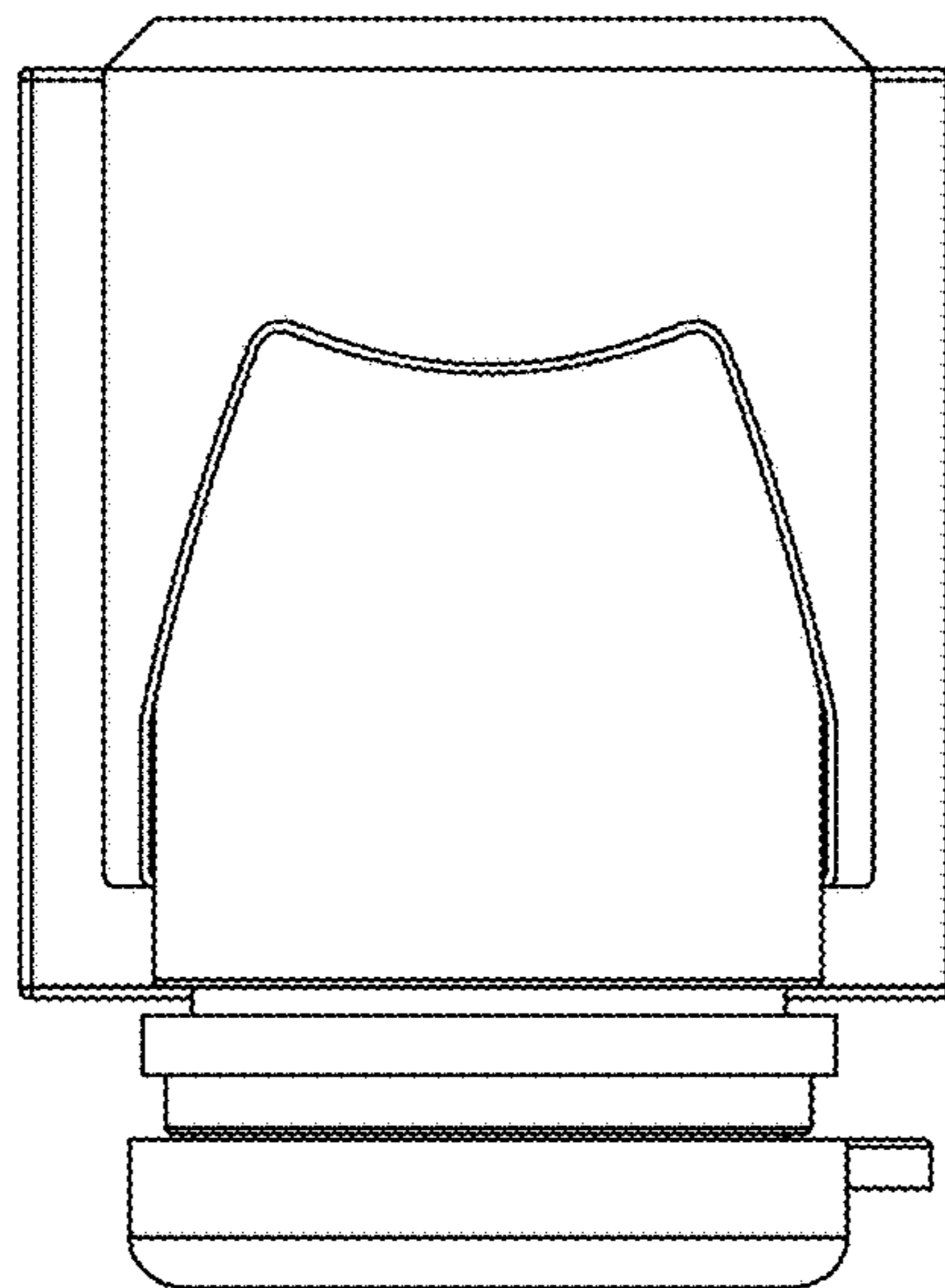


FIG. 2

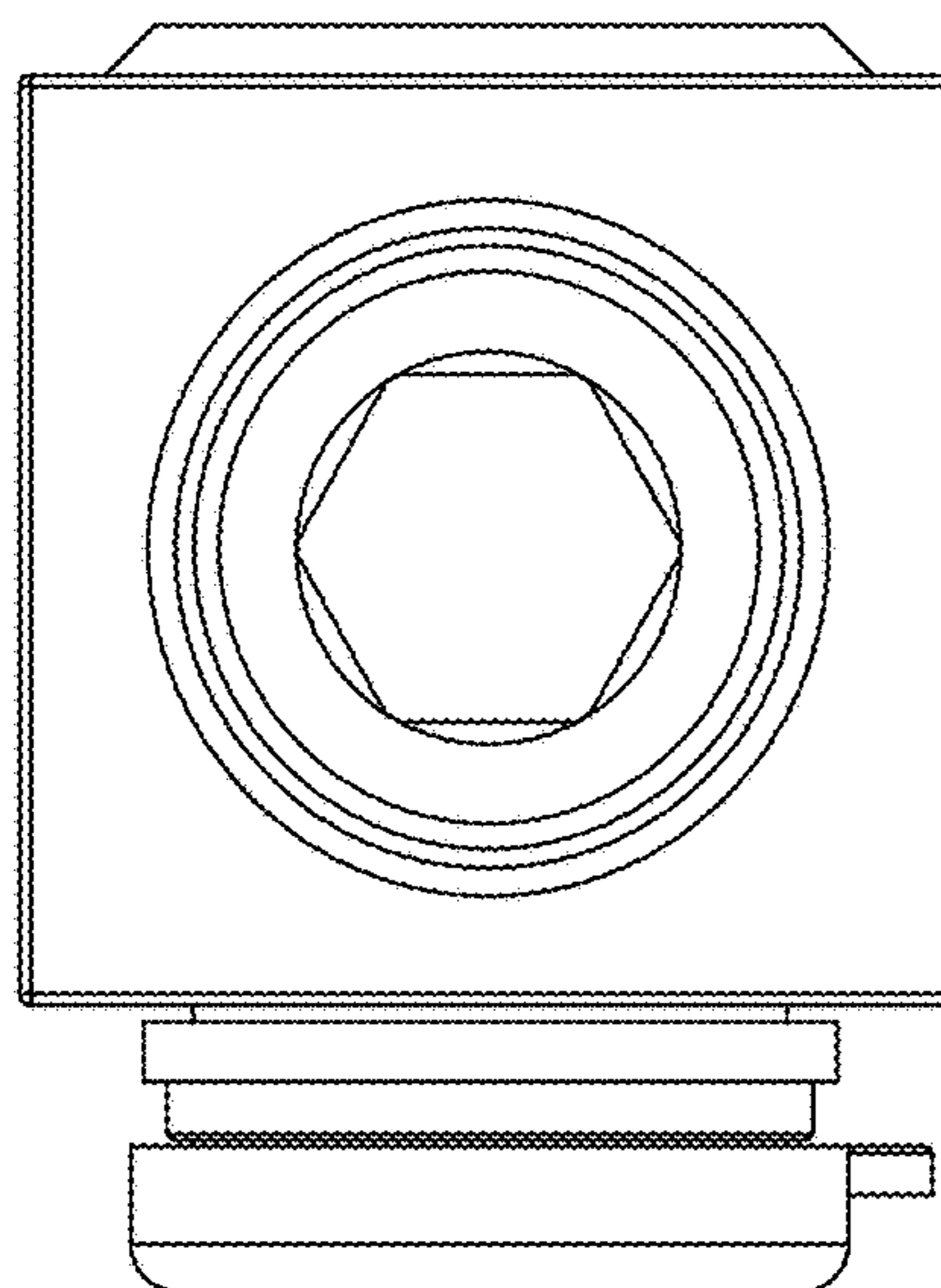


FIG. 3

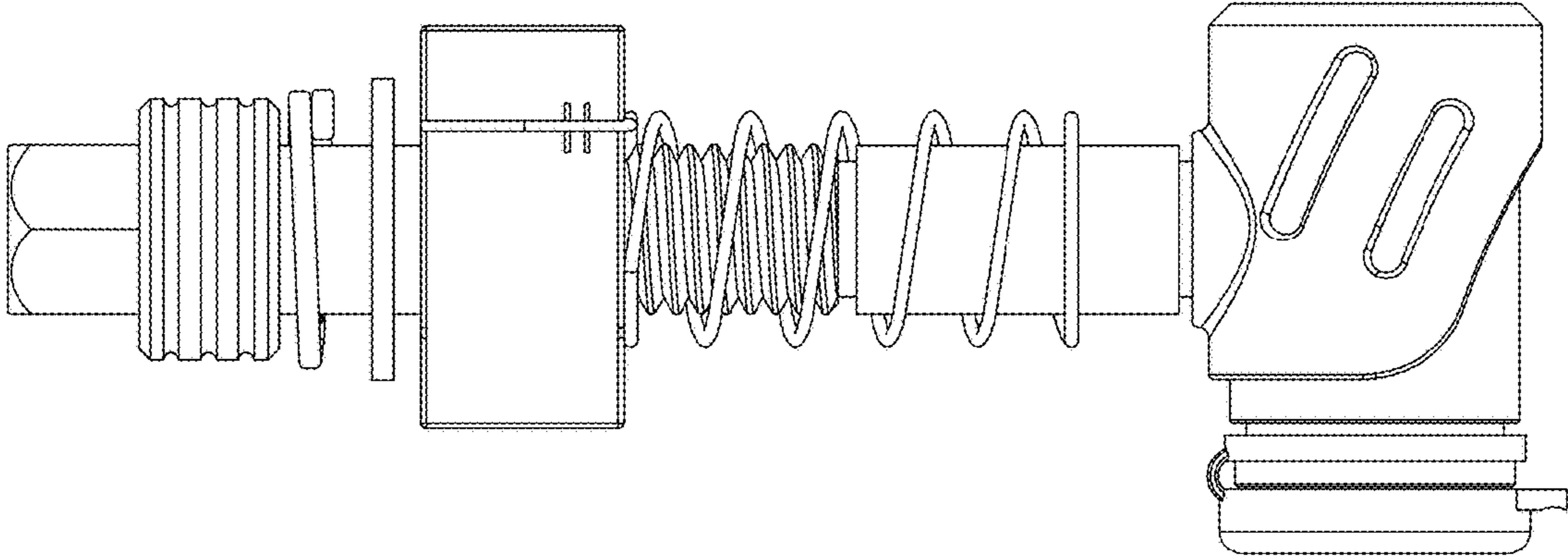


FIG. 4

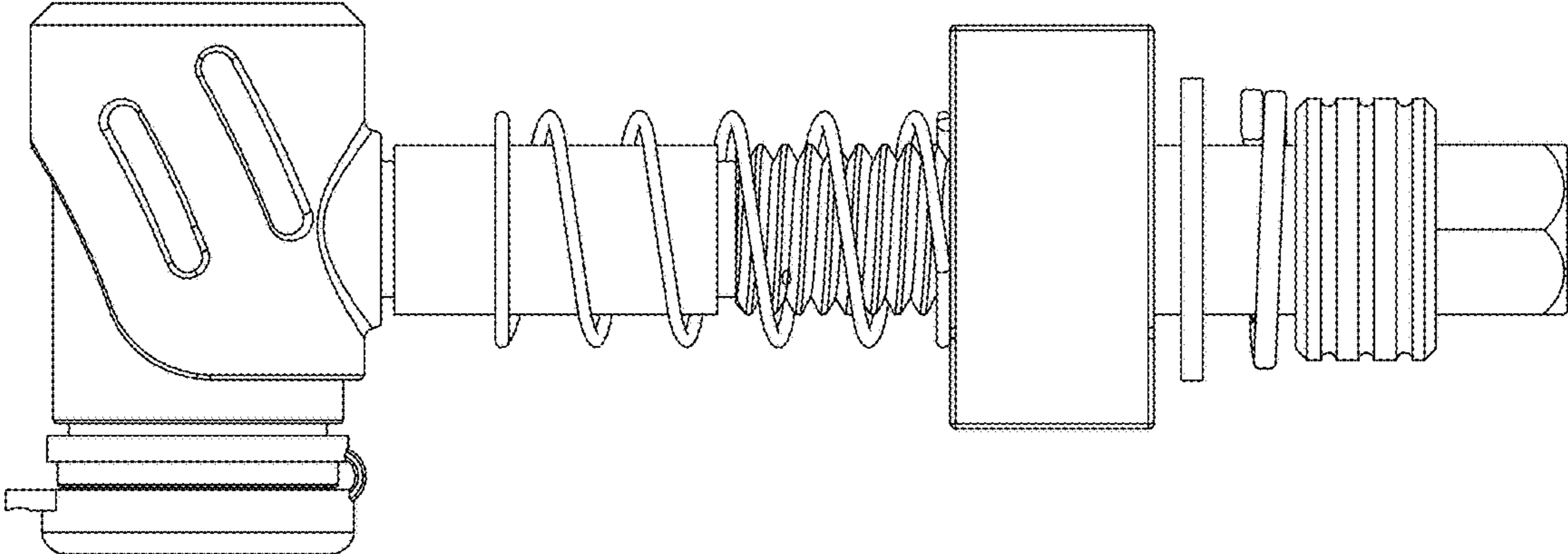


FIG. 5

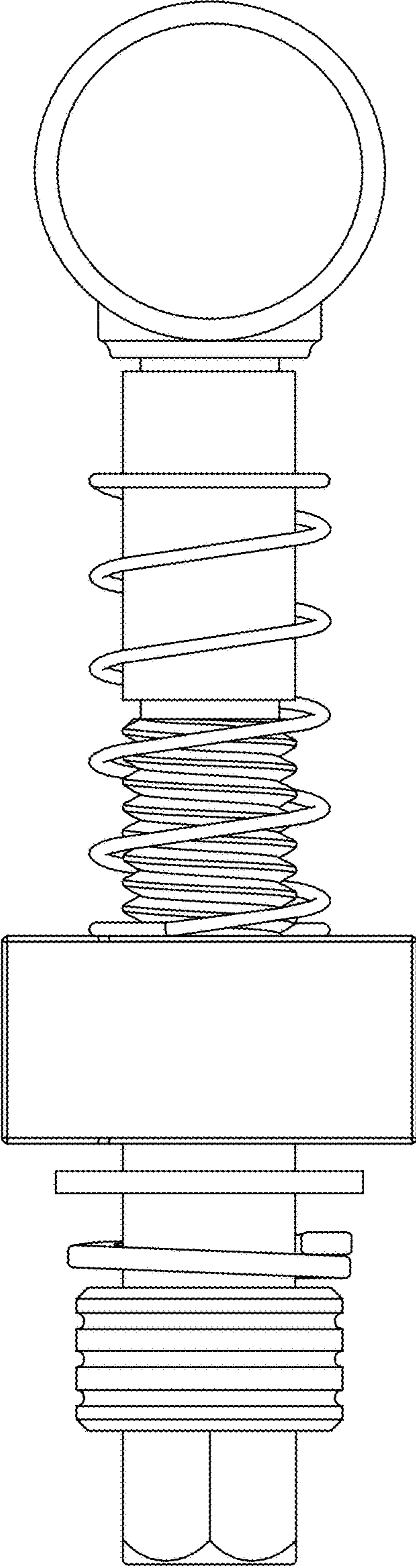


FIG. 6

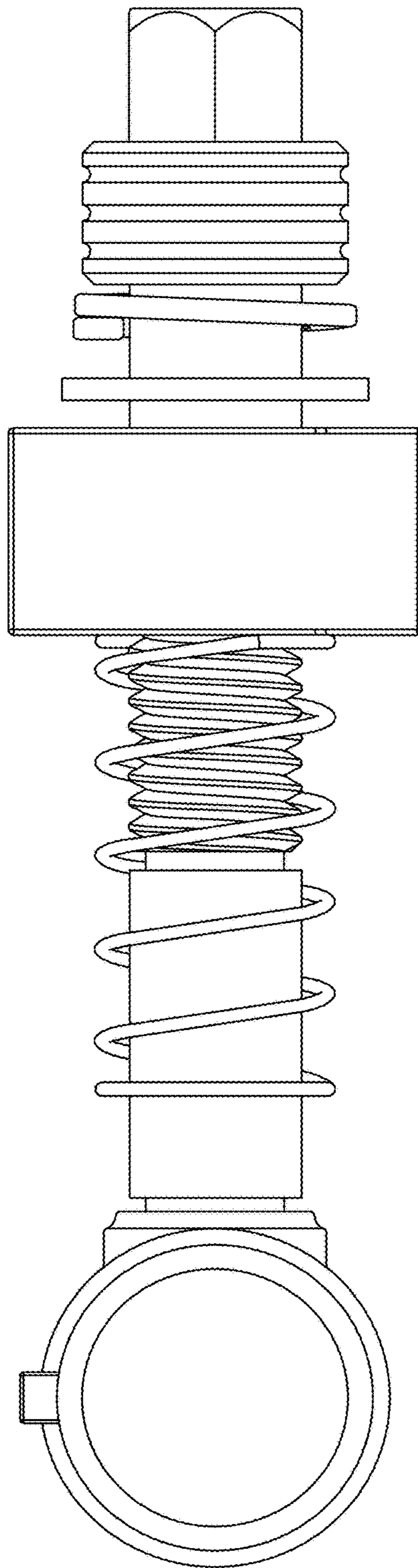


FIG. 7