



US00D866411S

(12) **United States Design Patent** (10) **Patent No.:** **US D866,411 S**
Huval (45) **Date of Patent:** **** Nov. 12, 2019**

(54) **VEHICLE RECEIVER HITCH COVER**
(71) Applicant: **Jason Huval**, Pflugerville, TX (US)
(72) Inventor: **Jason Huval**, Pflugerville, TX (US)
(**) Term: **15 Years**
(21) Appl. No.: **29/622,991**
(22) Filed: **Oct. 20, 2017**
(51) **LOC (12) Cl.** **12-16**
(52) **U.S. Cl.**
USPC **D12/162**
(58) **Field of Classification Search**
USPC D12/162, 159, 158, 161
CPC . B60D 1/60; B60D 1/065; B60D 1/00; B60D
1/06
See application file for complete search history.

(56) **References Cited**
U.S. PATENT DOCUMENTS
D462,303 S 9/2002 Swiggart
D494,111 S 8/2004 Peng
D513,211 S 12/2005 Murguia
D550,596 S 9/2007 Jones et al.
D736,070 S * 8/2015 Kaneko D8/367
D790,408 S * 6/2017 Wymore D12/162

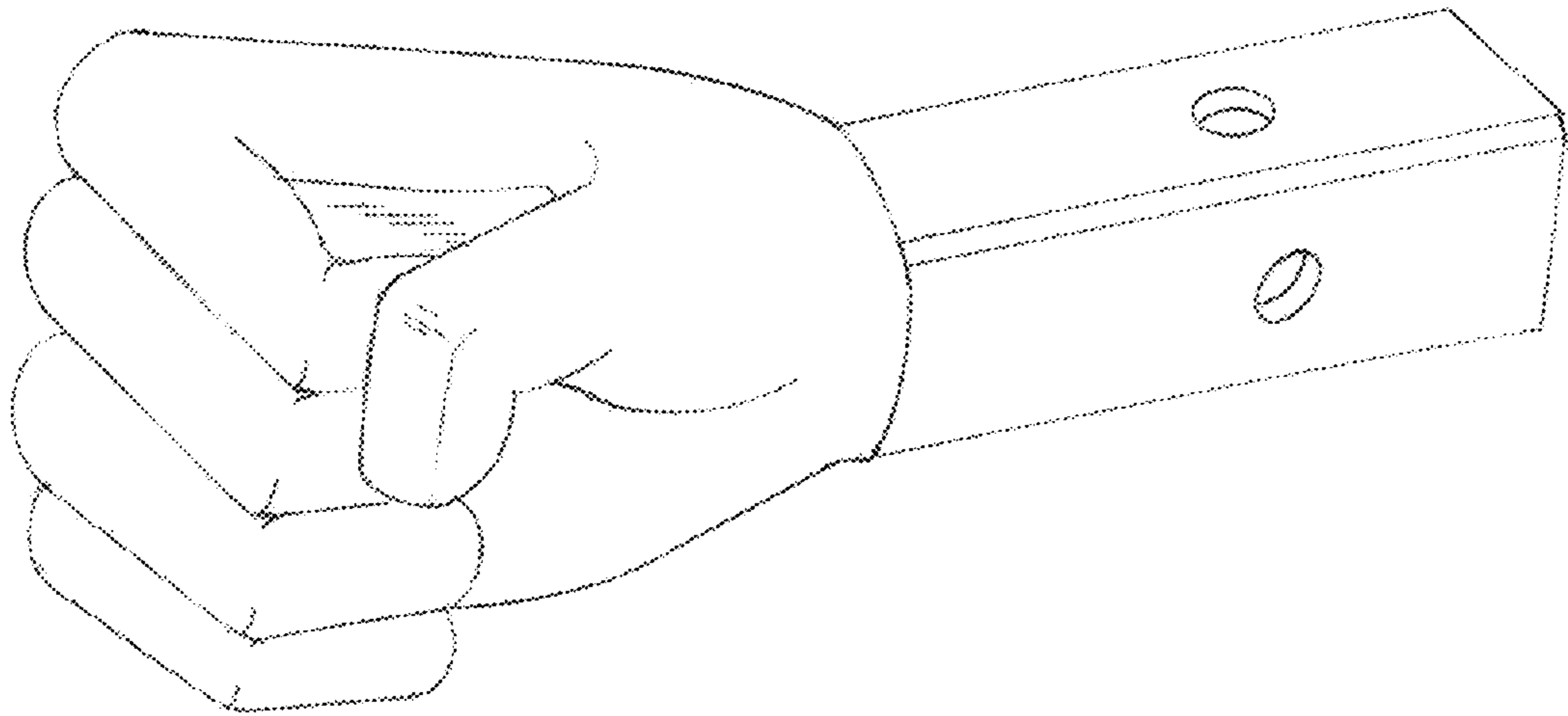
D794,516 S * 8/2017 Siegel D12/162
D825,401 S * 8/2018 Stickle D12/162
D832,155 S * 10/2018 Siegel D12/162
D832,156 S * 10/2018 Johns D12/162
D834,464 S * 11/2018 Cincunegui D12/162
D844,972 S * 4/2019 Wantland D3/207
D847,698 S * 5/2019 Moore D12/162
D854,971 S * 7/2019 McCuskey D12/162
D855,499 S * 8/2019 Siegel D12/162

* cited by examiner
Primary Examiner — Katrina A Betton
(74) *Attorney, Agent, or Firm* — Kenneth A. Roddy

(57) **CLAIM**
The ornamental design for a vehicle hitch receiver cover, as shown and described.

DESCRIPTION
FIG. 1 is a front perspective view of a vehicle receiver hitch cover, showing my new design from the front, top and right hand side;
FIG. 2 is a right side elevation view thereof;
FIG. 3 is a left side elevation view thereof;
FIG. 4 front plan view thereof;
FIG. 5 is a rear plan view thereof; and,
FIG. 6 is bottom elevation view thereof partially rotated about the horizontal axis.

1 Claim, 2 Drawing Sheets



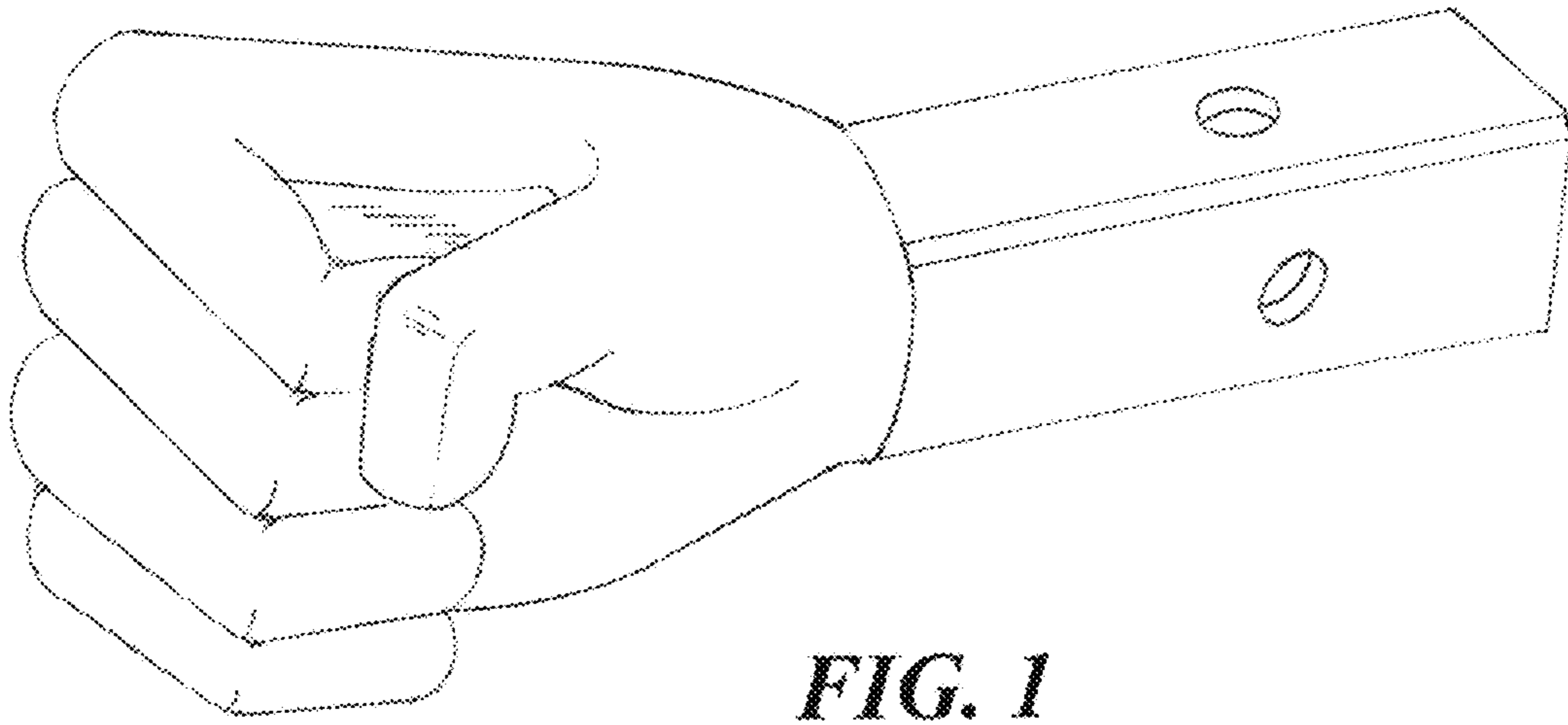


FIG. 1

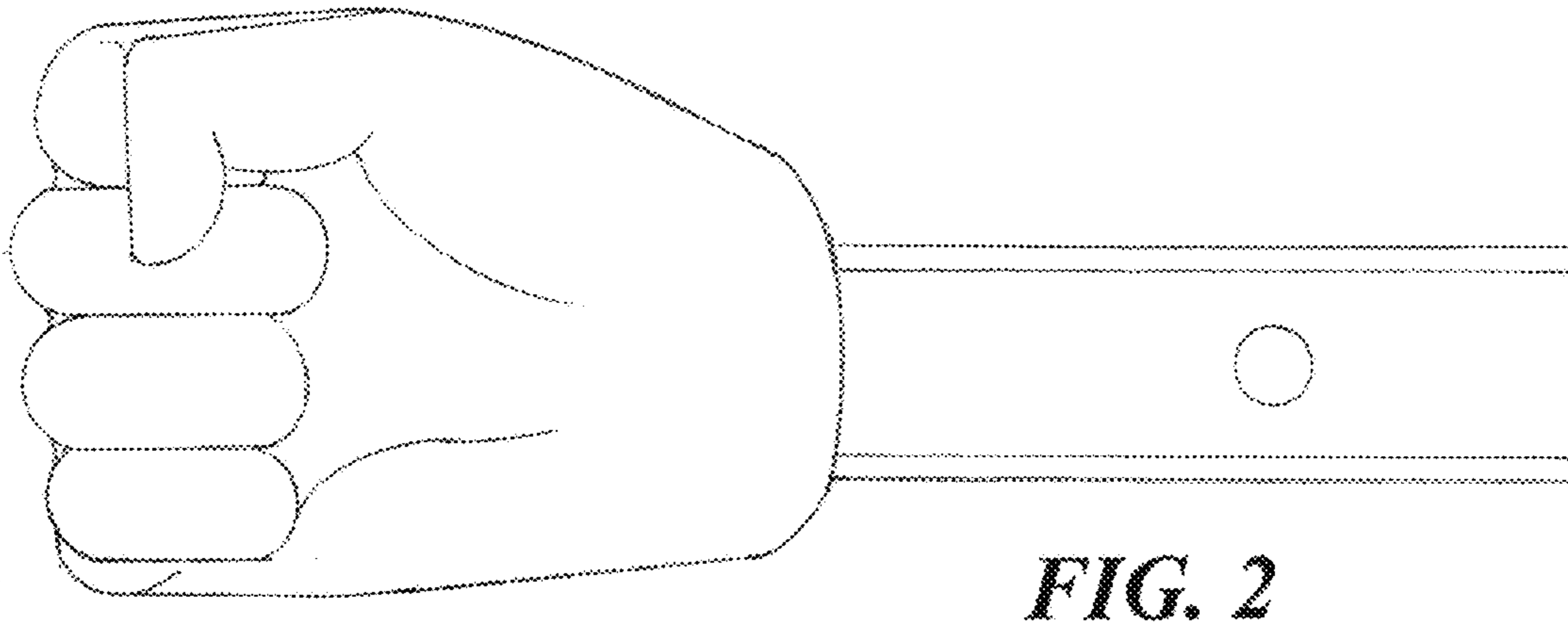


FIG. 2

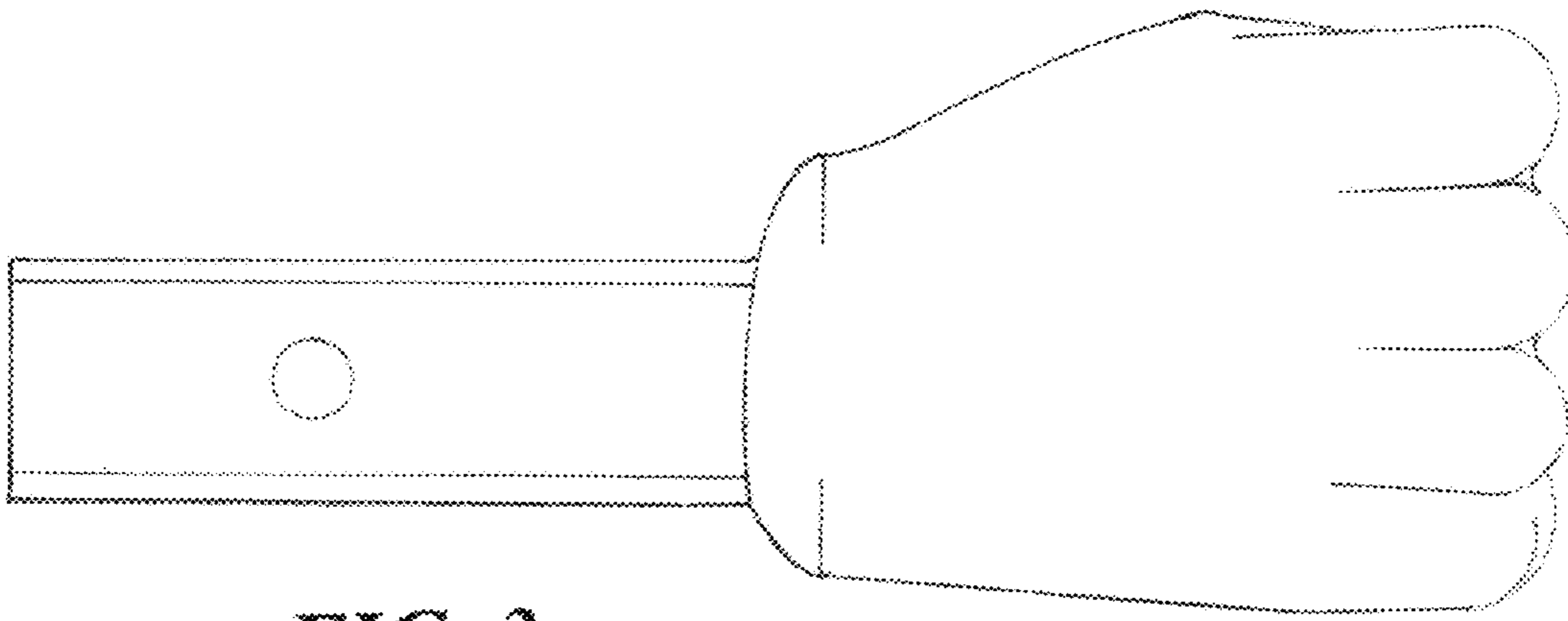


FIG. 3

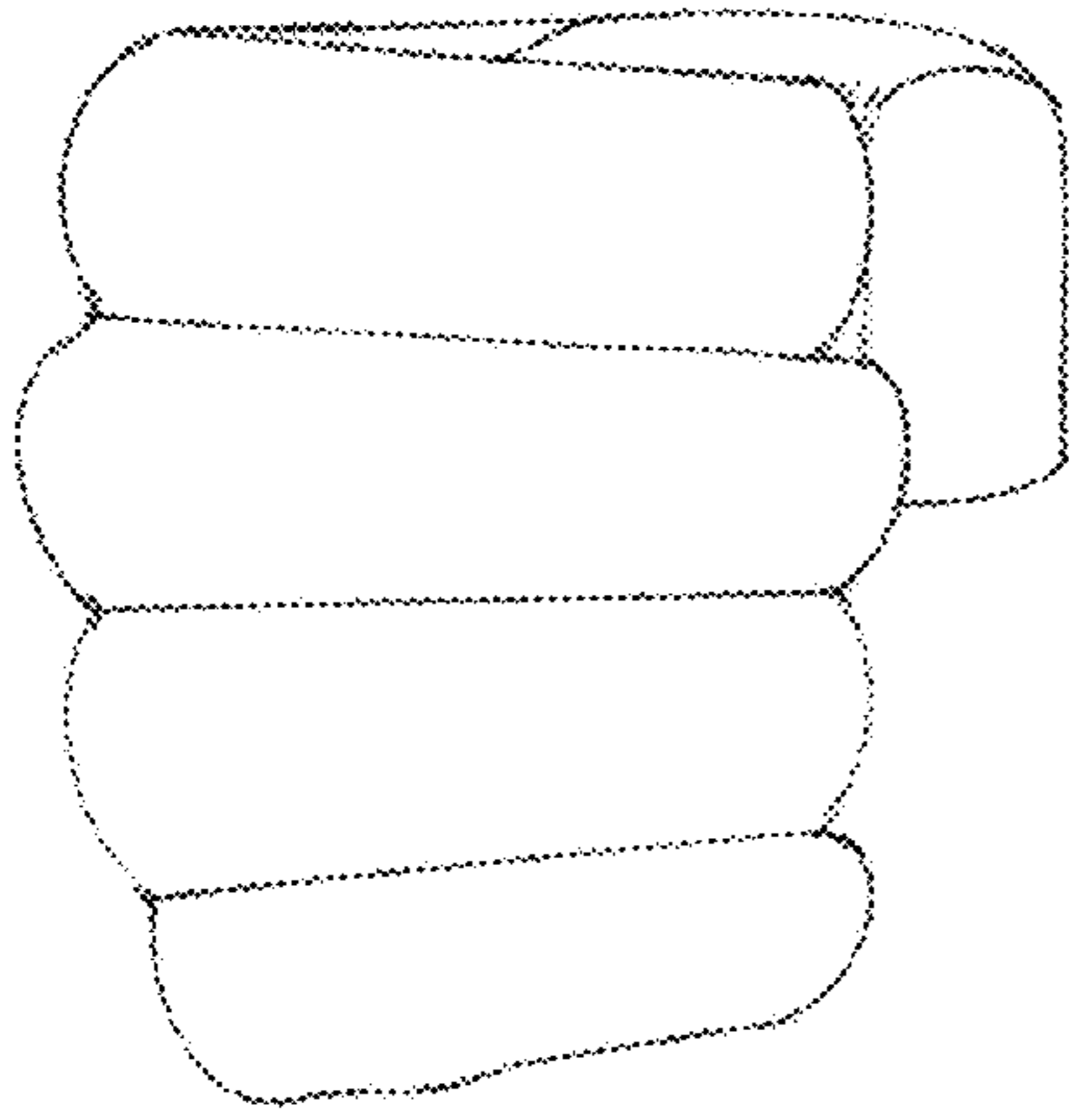


FIG. 4

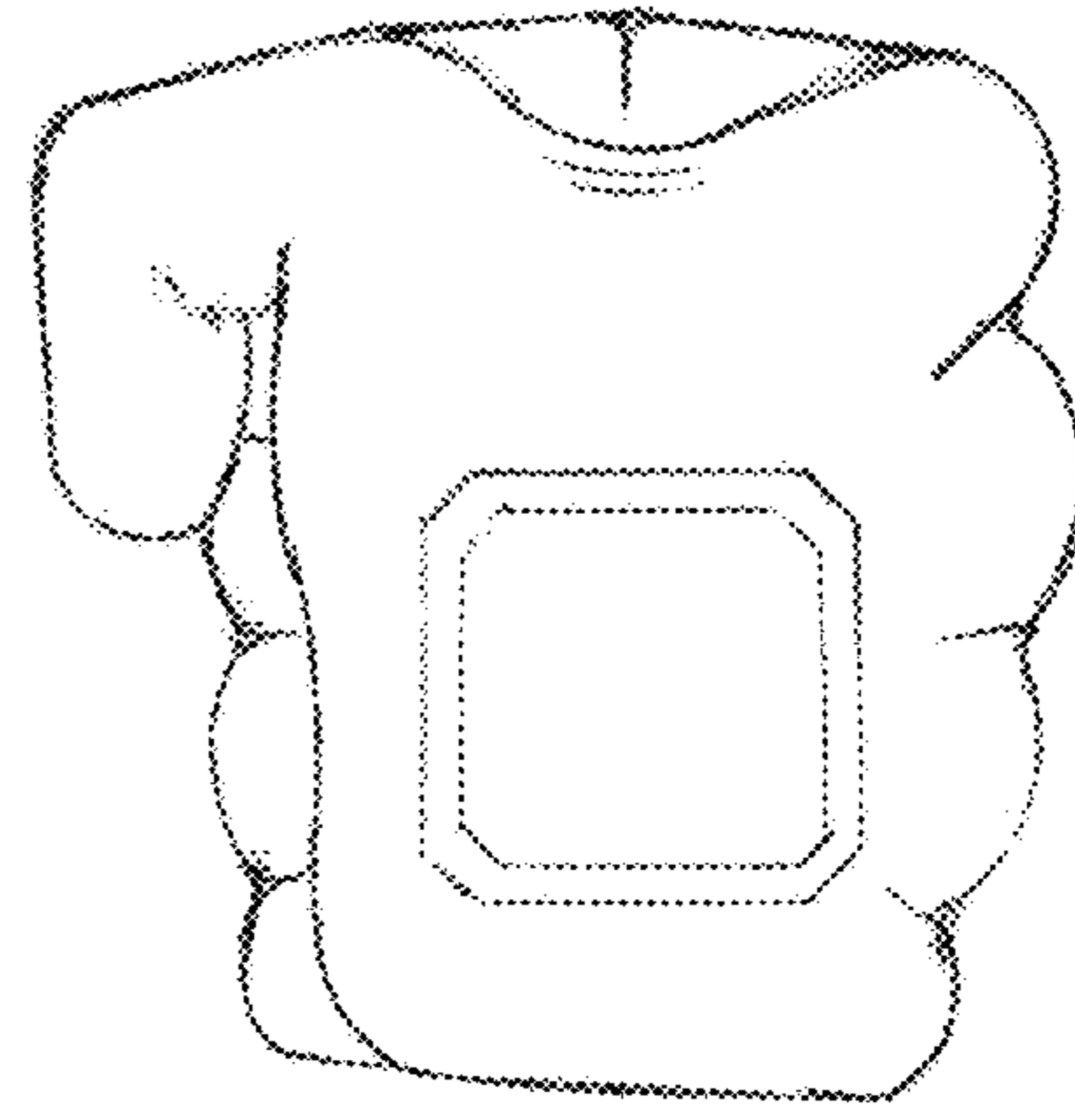


FIG. 5

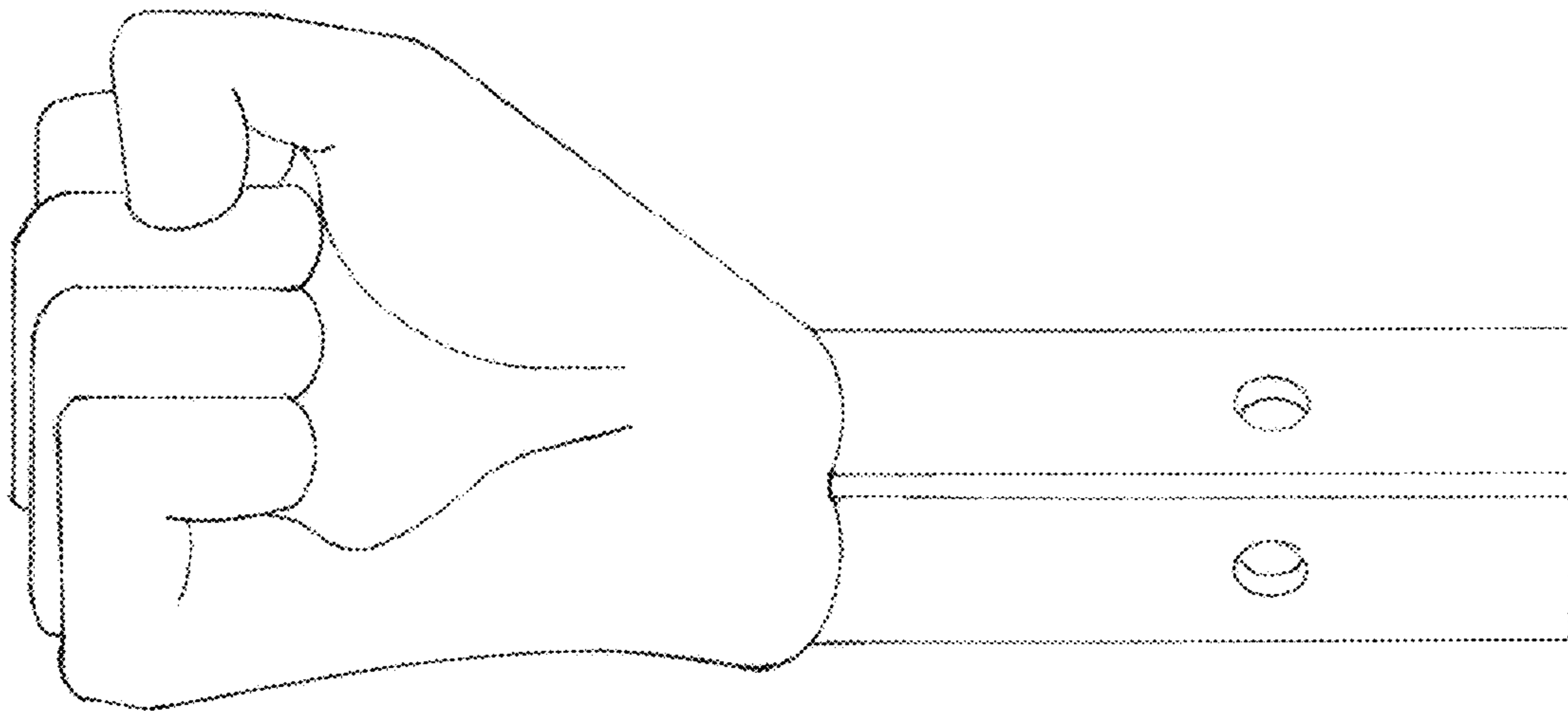


FIG. 6