



US00D866410S

(12) **United States Design Patent**
Lambros

(10) **Patent No.:** **US D866,410 S**

(45) **Date of Patent:** **** Nov. 12, 2019**

(54) **VEHICLE SUSPENSION SPACER**

(71) Applicant: **Jesse Drew Lambros**, Rockaway, NJ
(US)

(72) Inventor: **Jesse Drew Lambros**, Rockaway, NJ
(US)

(**) Term: **15 Years**

(21) Appl. No.: **29/673,113**

(22) Filed: **Dec. 12, 2018**

Related U.S. Application Data

(63) Continuation-in-part of application No. 29/631,391,
filed on Dec. 29, 2017.

(51) **LOC (12) Cl.** **12-16**

(52) **U.S. Cl.**
USPC **D12/159**

(58) **Field of Classification Search**
USPC D12/159; D8/352, 354
CPC B60G 2204/4402; F16F 1/121
See application file for complete search history.

(56) **References Cited**

U.S. PATENT DOCUMENTS

6,923,462	B2 *	8/2005	Tantius	B60G 15/02
				188/321.11
8,480,108	B2 *	7/2013	Ryshavy	B60G 11/10
				280/124.175

9,233,588	B2 *	1/2016	Miller	B60G 7/003
9,315,085	B1 *	4/2016	Riley	B60G 15/067
9,844,993	B2 *	12/2017	Botello	B60G 17/021
10,017,020	B2 *	7/2018	Andreasen	B60G 7/02
2009/0173033	A1 *	7/2009	Baxter, Jr.	A63J 1/00
				52/646

* cited by examiner

Primary Examiner — Michael A. Pratt

(74) *Attorney, Agent, or Firm* — Dunlap Bennett &
Ludwig PLLC

(57) **CLAIM**

The ornamental design for a vehicle suspension spacer, as shown and described.

DESCRIPTION

FIG. 1 is a top front perspective view of a vehicle suspension spacer;

FIG. 2 is a bottom front perspective view thereof;

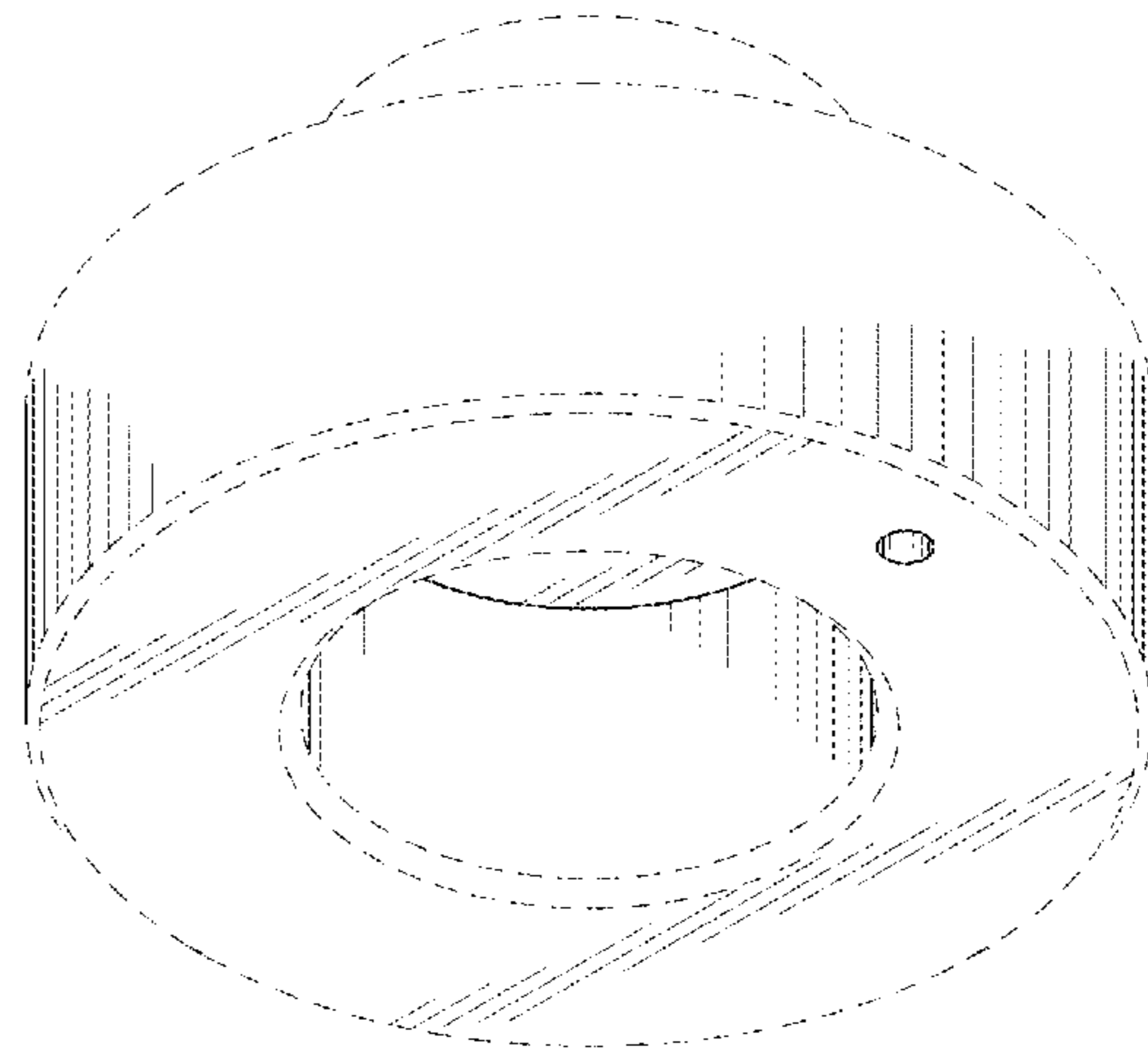
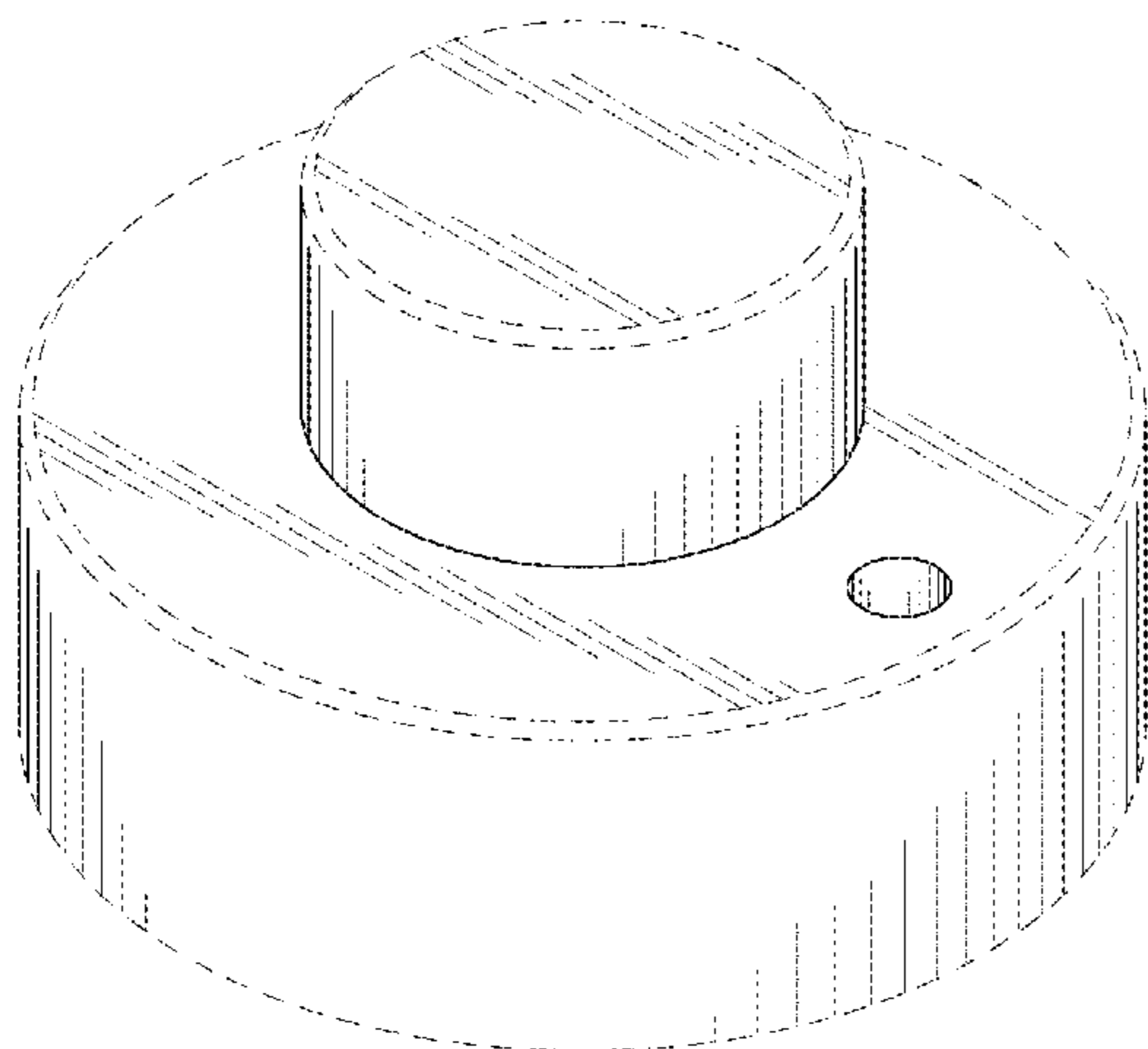
FIG. 3 is a front elevation view thereof, the left side elevation view, the right side elevation view and the rear elevation view being identical images thereof;

FIG. 4 is a top elevation view thereof; and,

FIG. 5 is a bottom elevation view thereof.

The broken lines shown in the drawings depict portions of the vehicle suspension spacer that forms no part of the claimed invention.

1 Claim, 3 Drawing Sheets



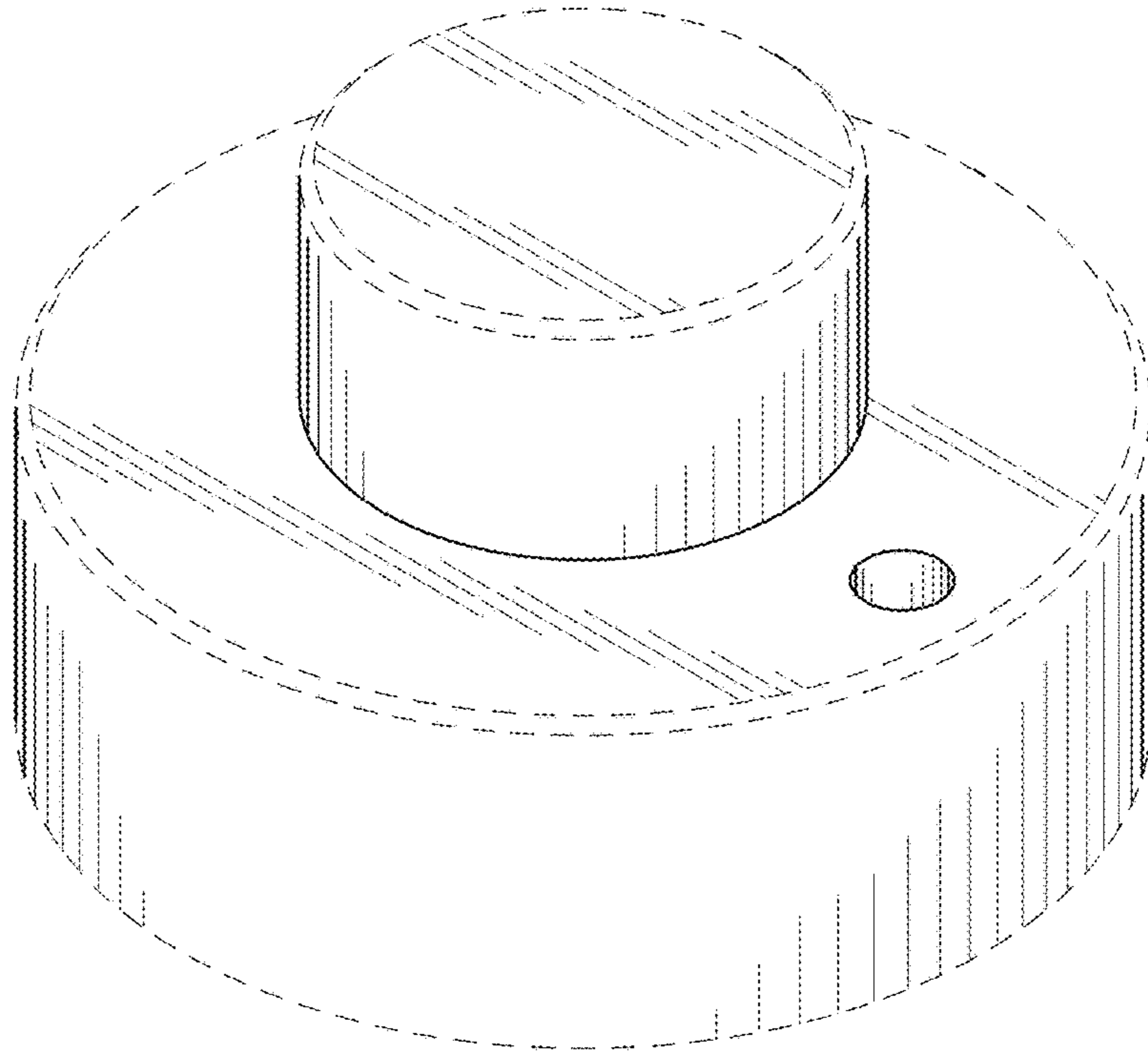


FIG.1

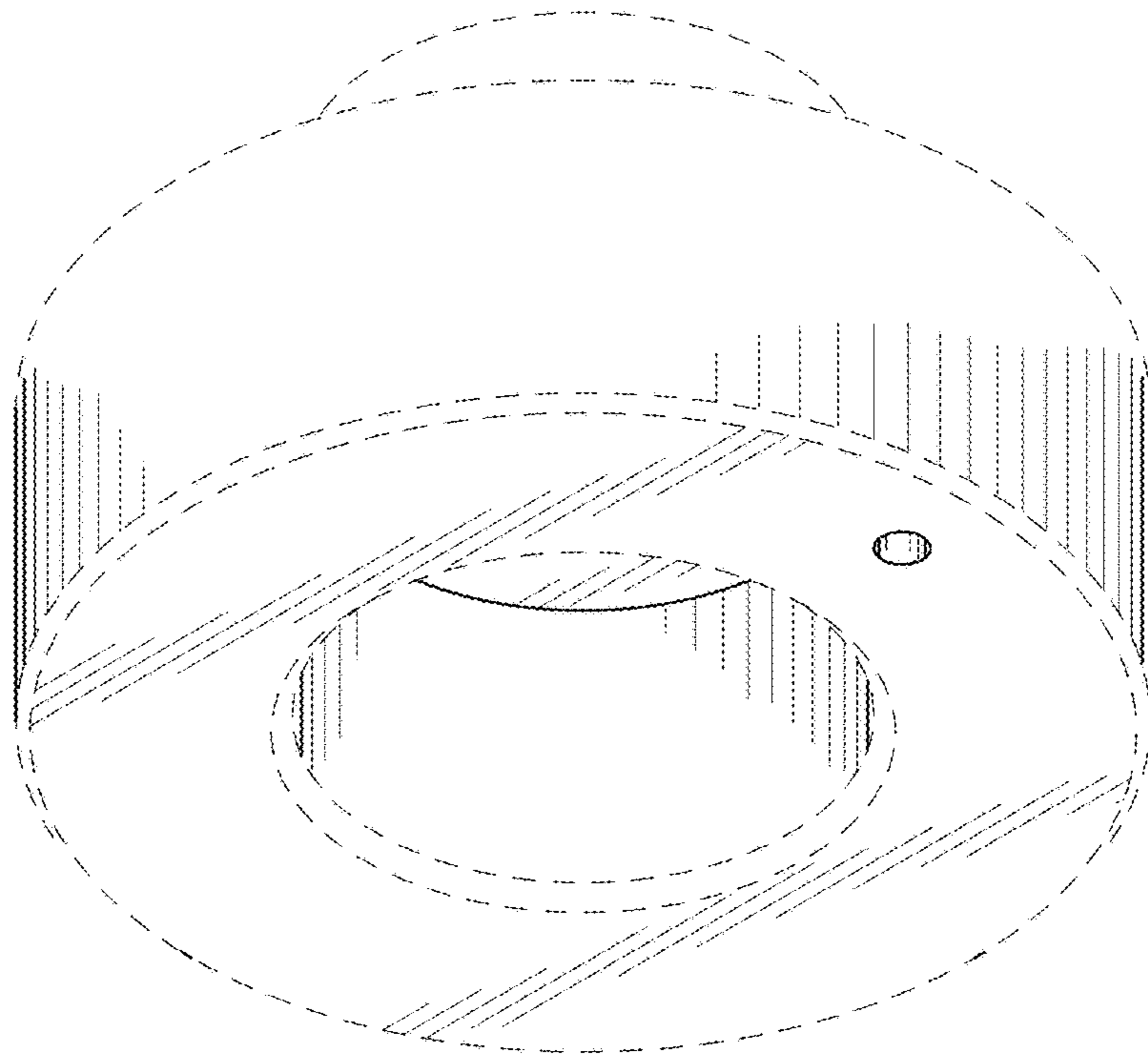


FIG.2

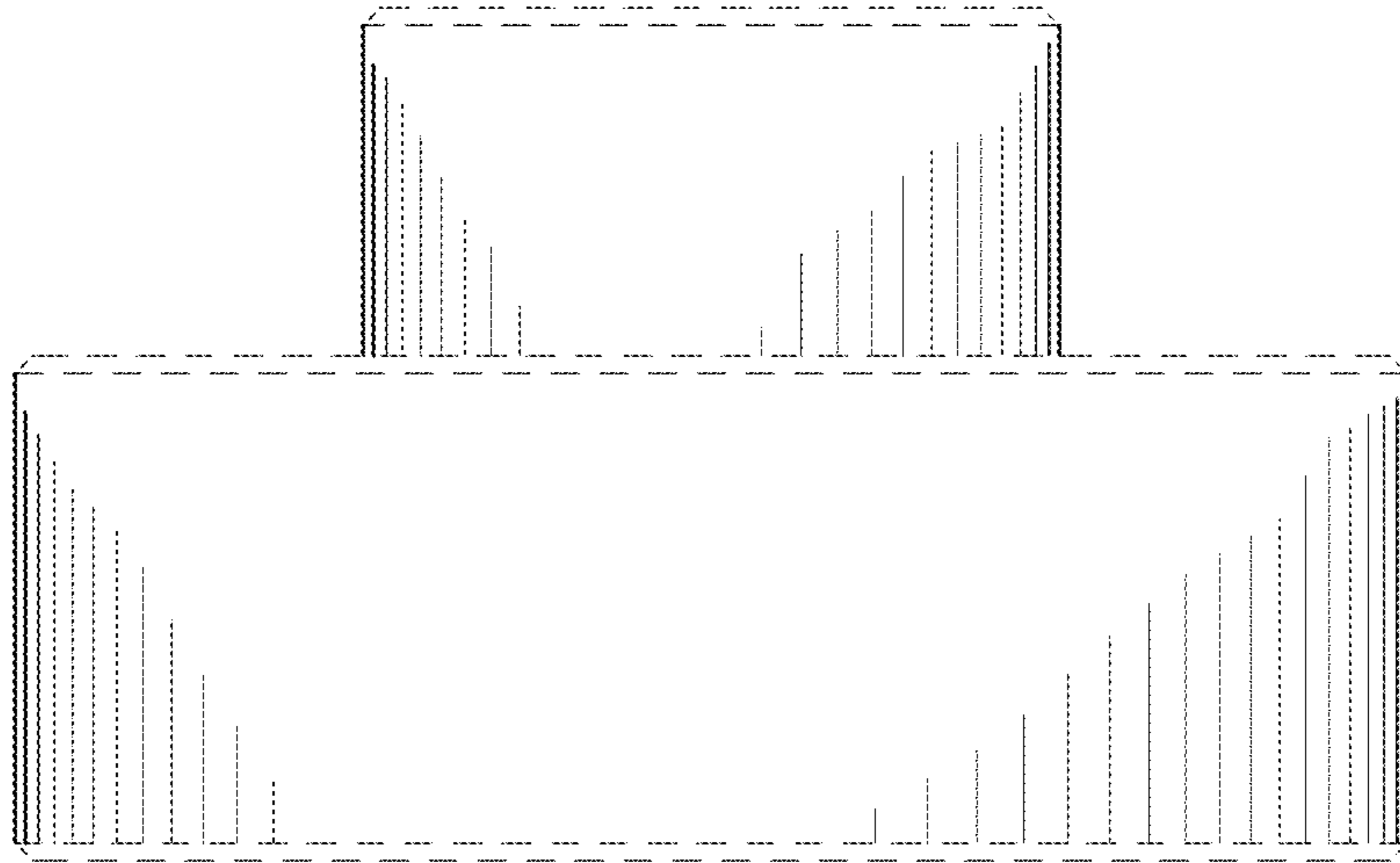


FIG. 3

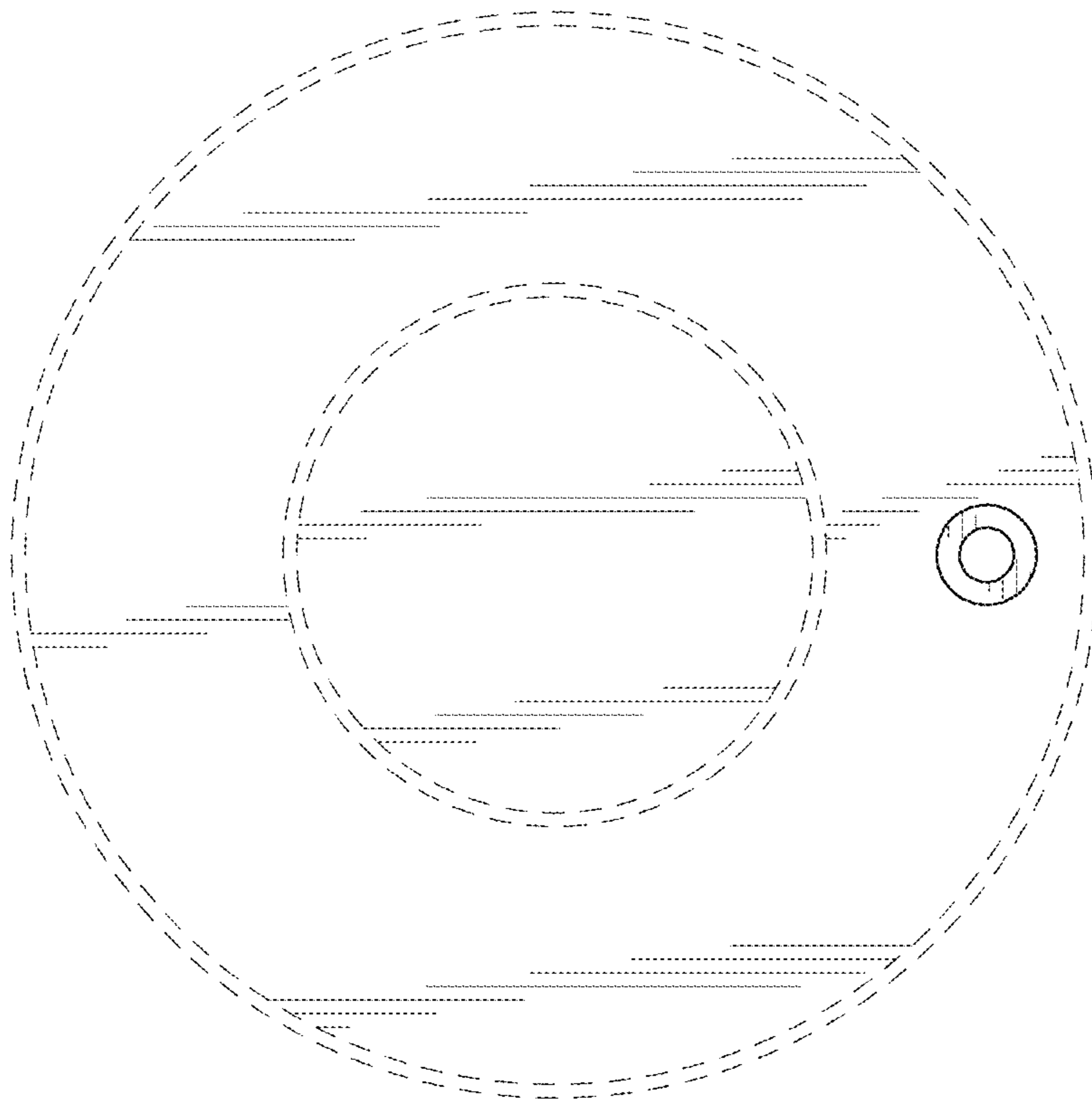


FIG. 4

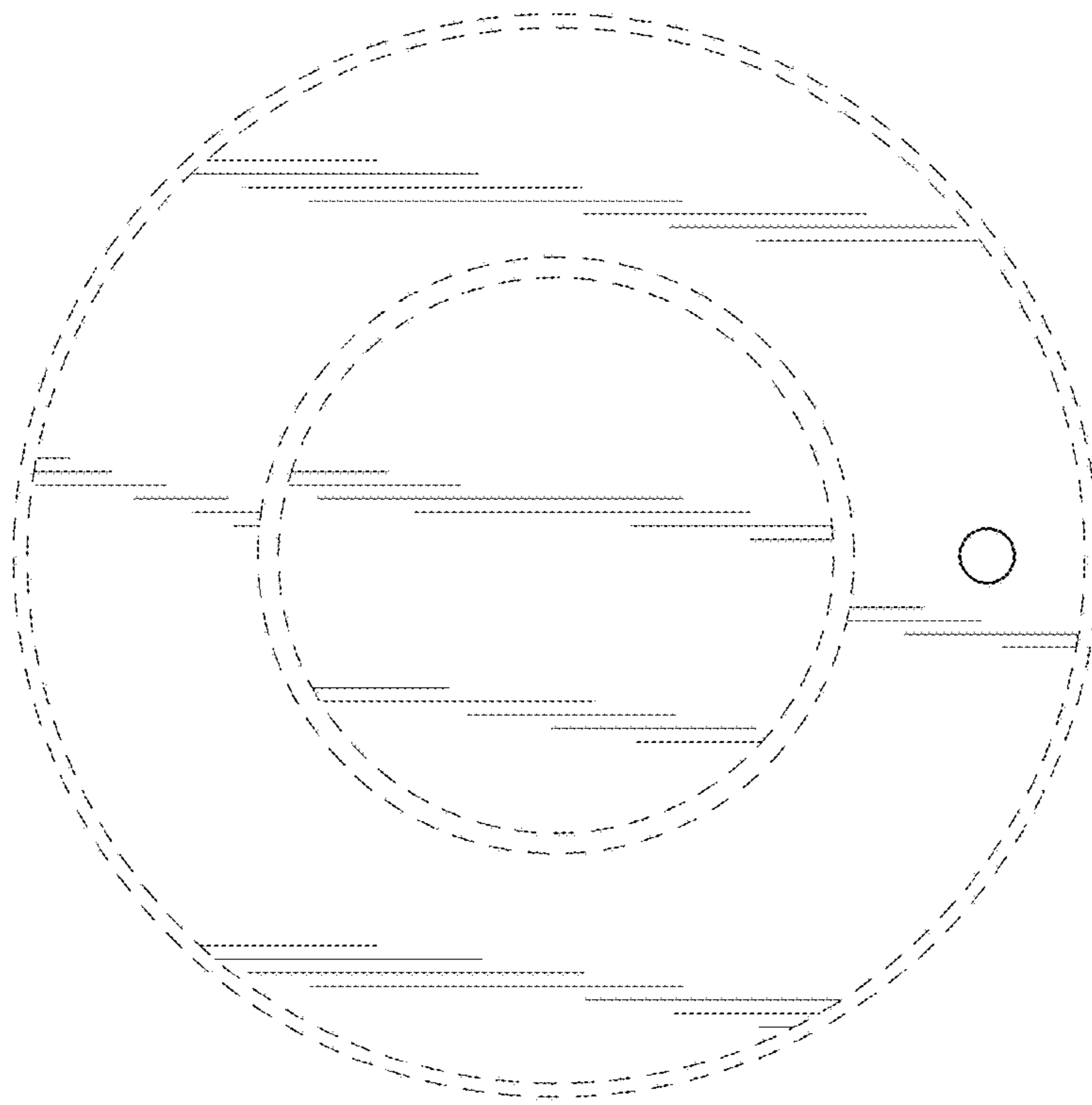


FIG.5