

US00D866409S

(12) **United States Design Patent**
Lambros

(10) **Patent No.:** **US D866,409 S**

(45) **Date of Patent:** **** Nov. 12, 2019**

(54) **VEHICLE SUSPENSION SPACER**

(71) Applicant: **Jesse Drew Lambros**, Rockaway, NJ
(US)

(72) Inventor: **Jesse Drew Lambros**, Rockaway, NJ
(US)

(**) Term: **15 Years**

(21) Appl. No.: **29/631,391**

(22) Filed: **Dec. 29, 2017**

(51) **LOC (12) Cl.** **12-16**

(52) **U.S. Cl.**
USPC **D12/159**

(58) **Field of Classification Search**
USPC D12/159; D8/352, 354
CPC B60G 2204/4402; F16F 1/121
See application file for complete search history.

(56) **References Cited**

U.S. PATENT DOCUMENTS

6,923,462 B2 * 8/2005 Tantius B60G 15/02
188/321.11
8,480,108 B2 * 7/2013 Ryshavy B60G 11/10
280/124.175

9,233,588 B2 * 1/2016 Miller B60G 7/003
9,315,085 B1 * 4/2016 Riley B60G 15/067
9,844,993 B2 * 12/2017 Botello B60G 17/021
10,017,020 B2 * 7/2018 Andreasen B60G 7/02
2009/0173033 A1 * 7/2009 Baxter, Jr. A63J 1/00
52/646

* cited by examiner

Primary Examiner — Michael A. Pratt

(74) *Attorney, Agent, or Firm* — Dunlap Bennett &
Ludwig PLLC

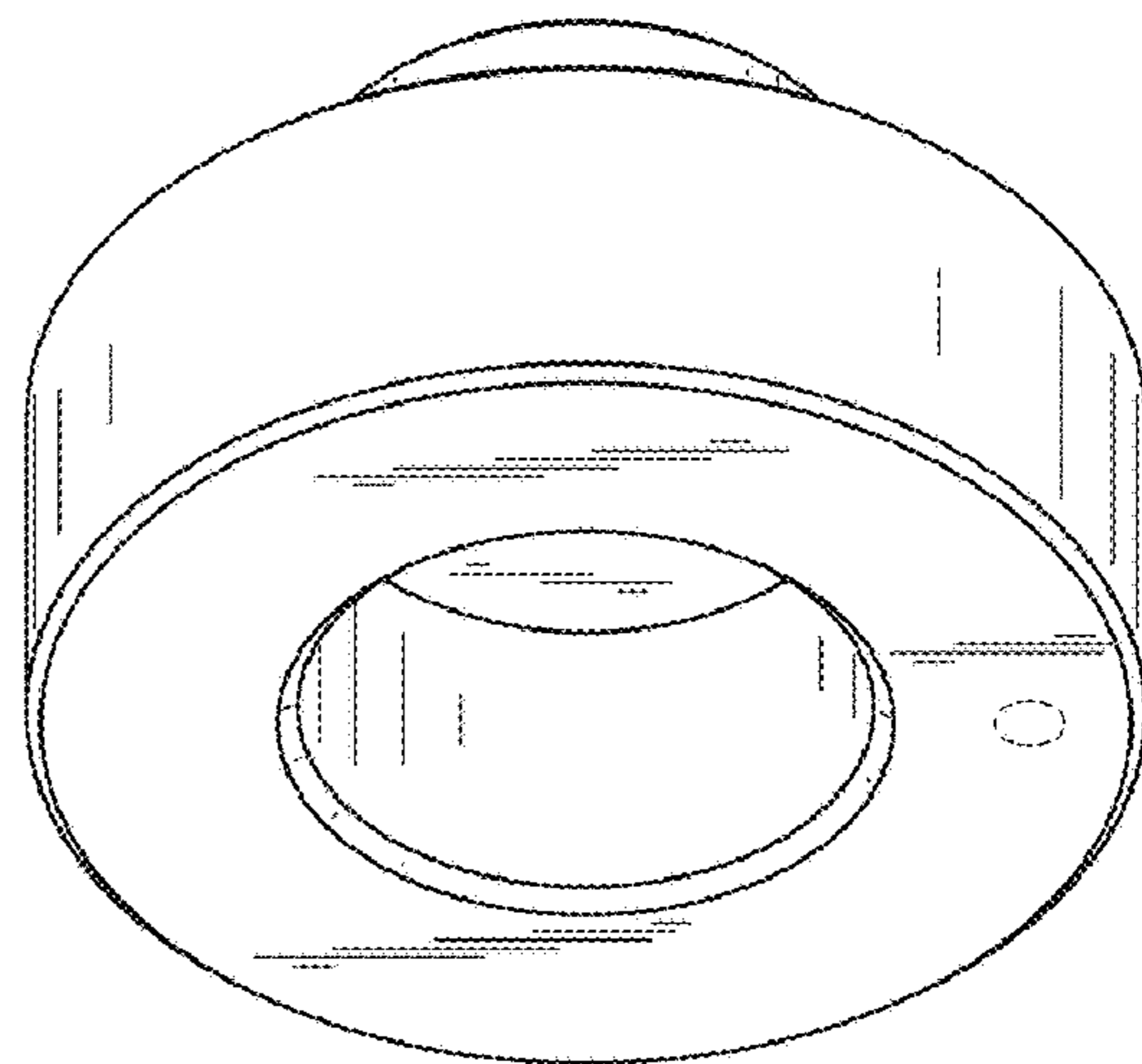
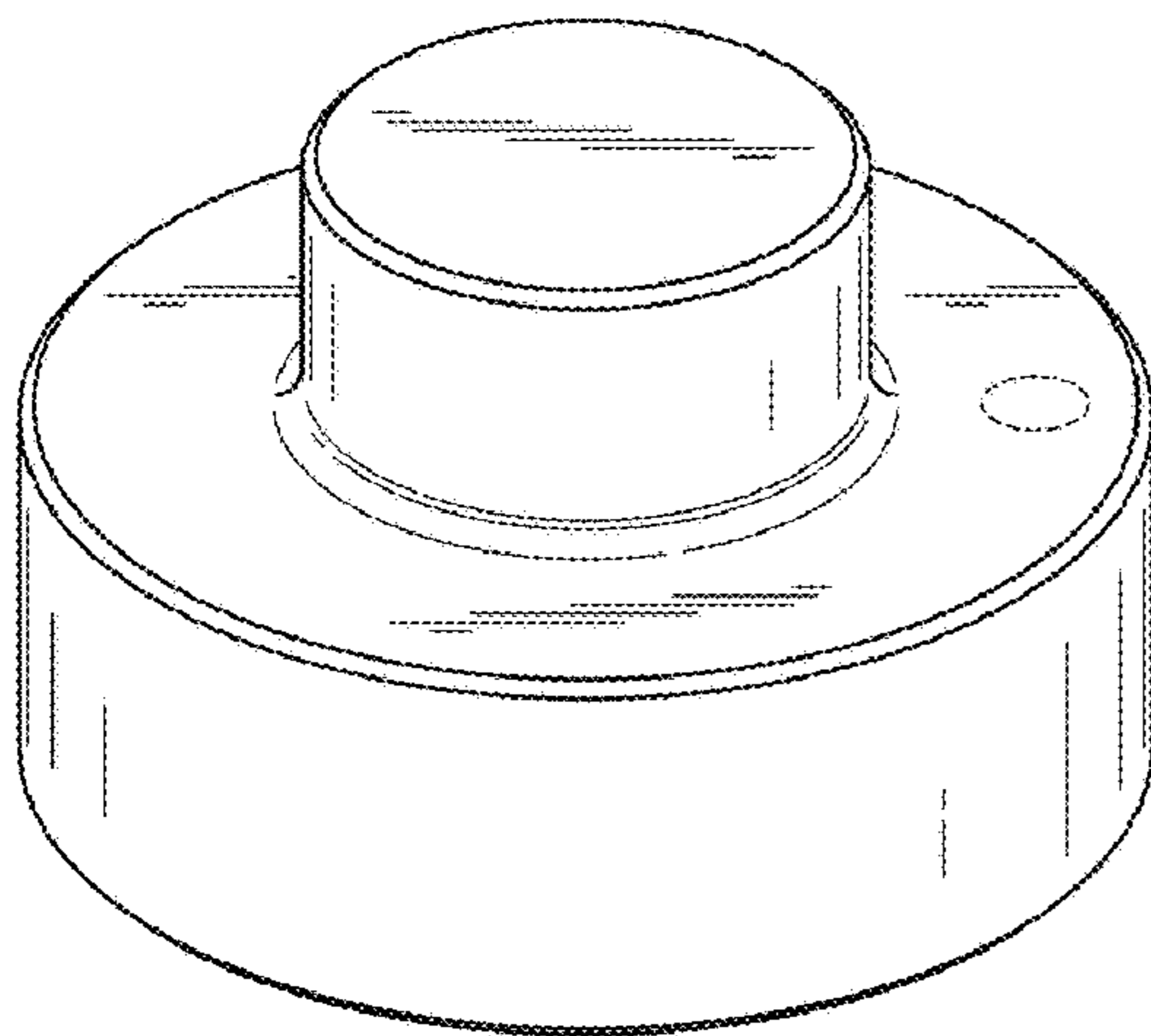
(57) **CLAIM**

The ornamental design for a vehicle suspension spacer, as shown and described.

DESCRIPTION

FIG. 1 is a top front perspective view of a vehicle suspension spacer;
FIG. 2 is a bottom front perspective view thereof;
FIG. 3 is a front elevation view thereof, the left side elevation view, the right side elevation view and the rear elevation view being identical images thereof;
FIG. 4 is a top elevation view thereof; and,
FIG. 5 is a bottom elevation view thereof.
The broken lines shown in the drawings depict an opening that forms no part of the claimed invention.

1 Claim, 3 Drawing Sheets



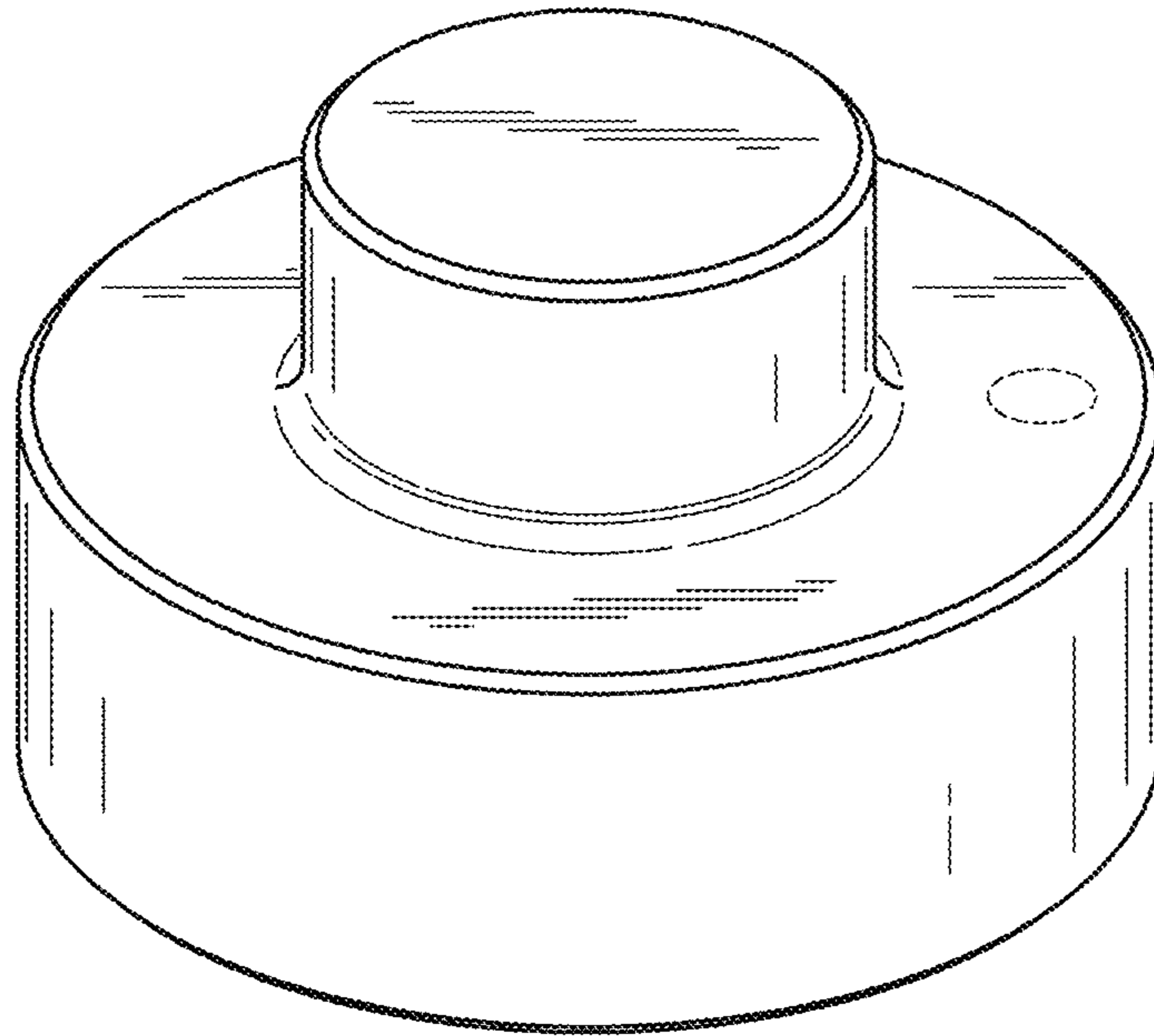


FIG. 1

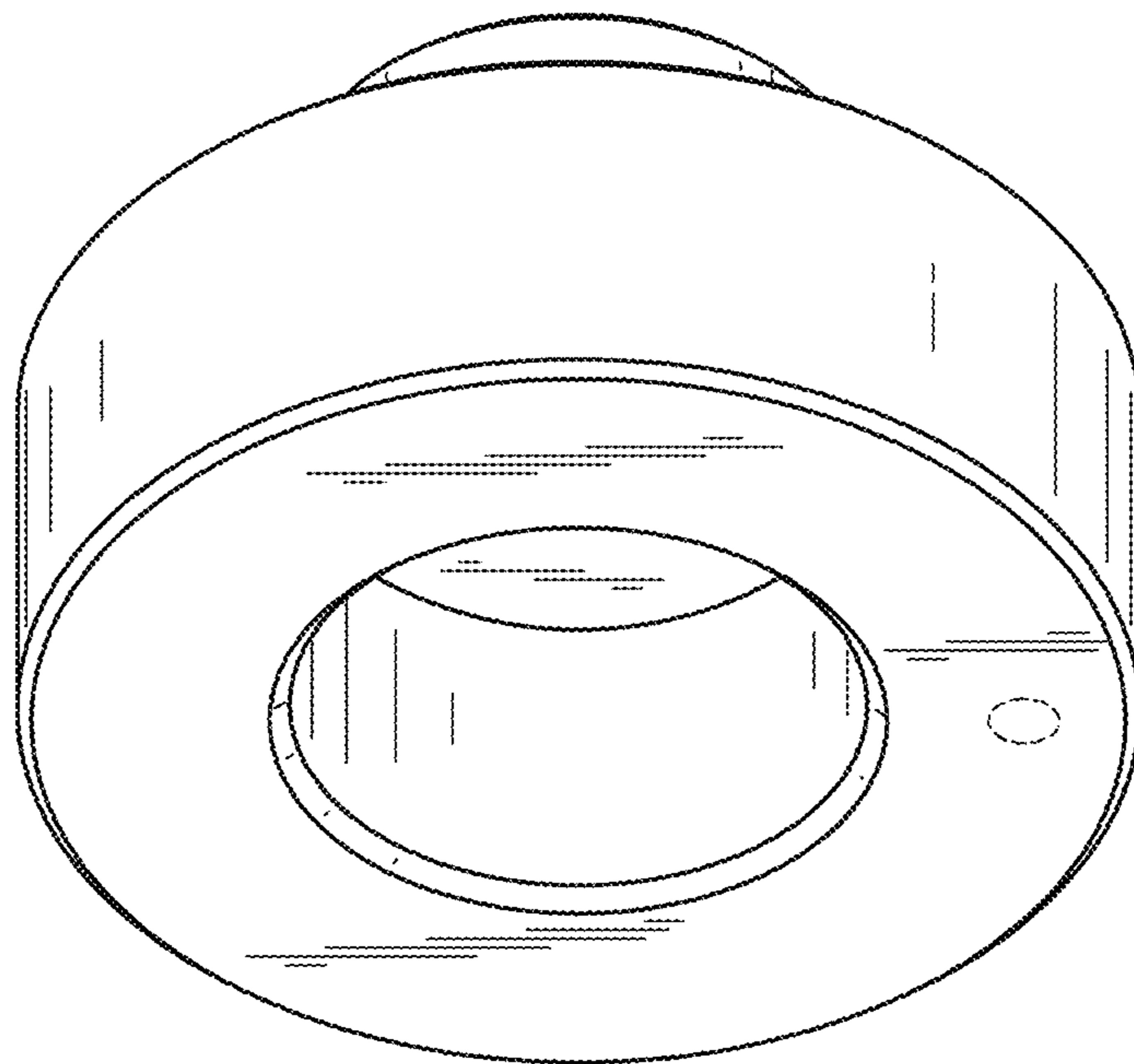


FIG. 2

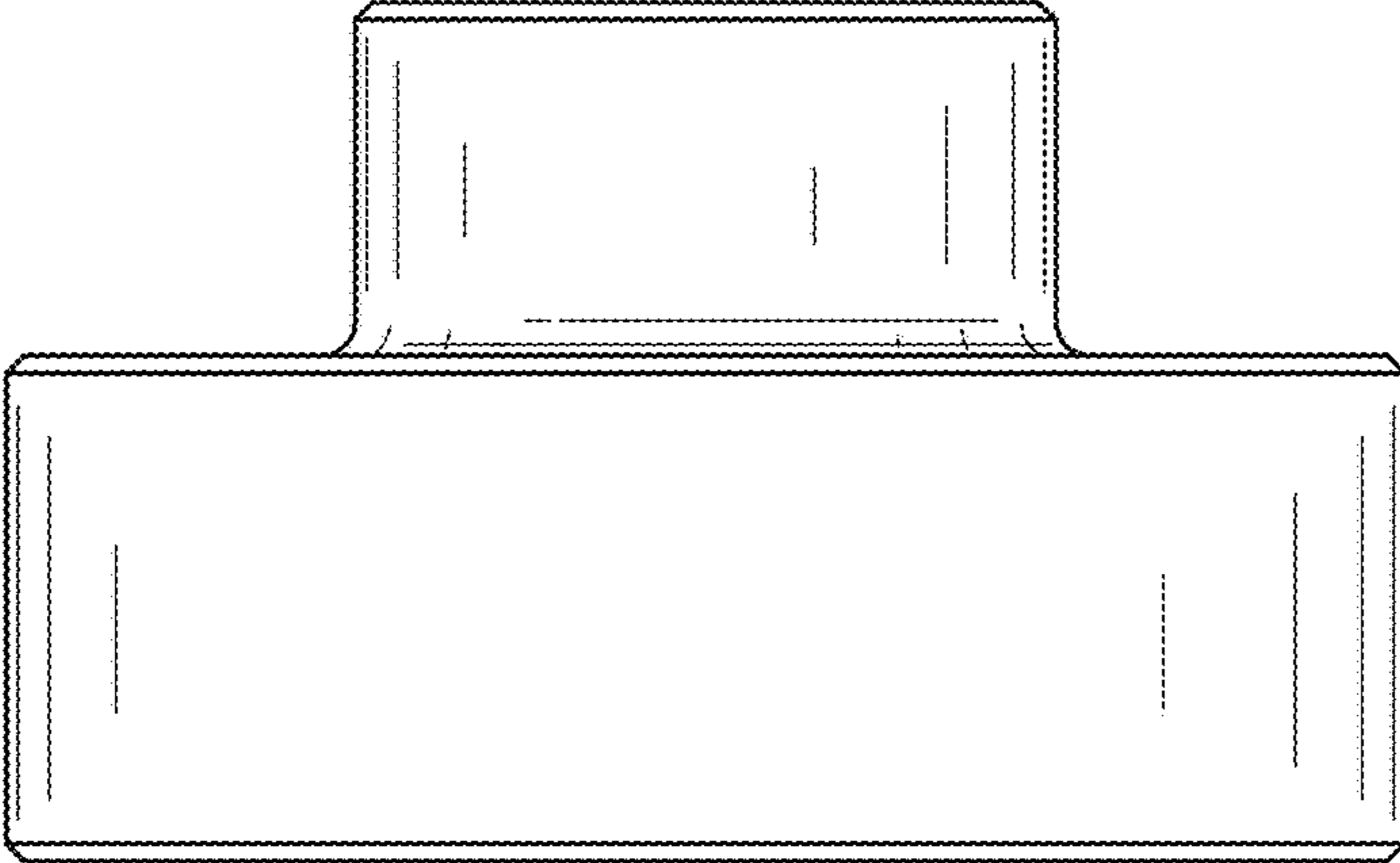


FIG. 3

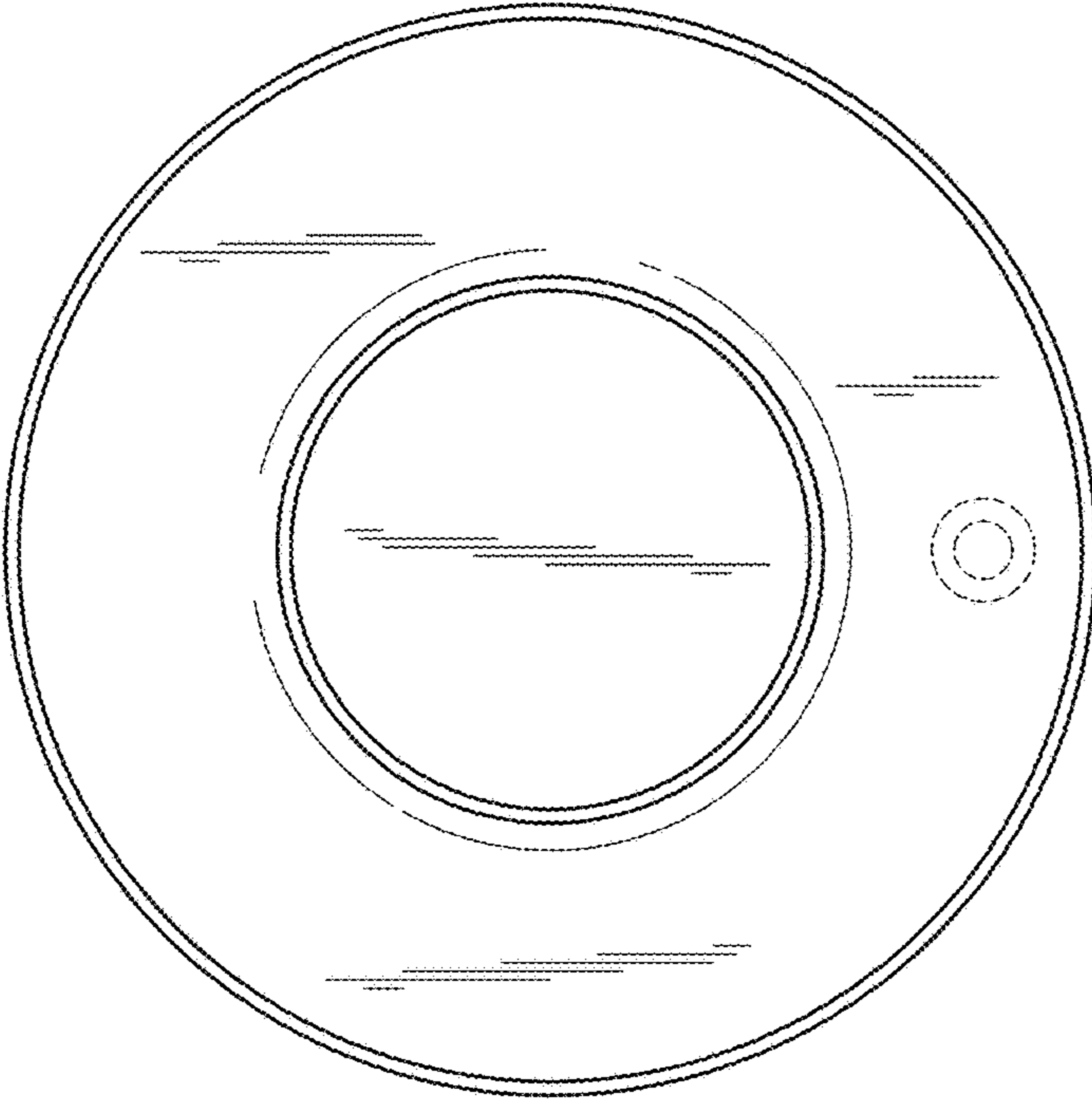


FIG. 4

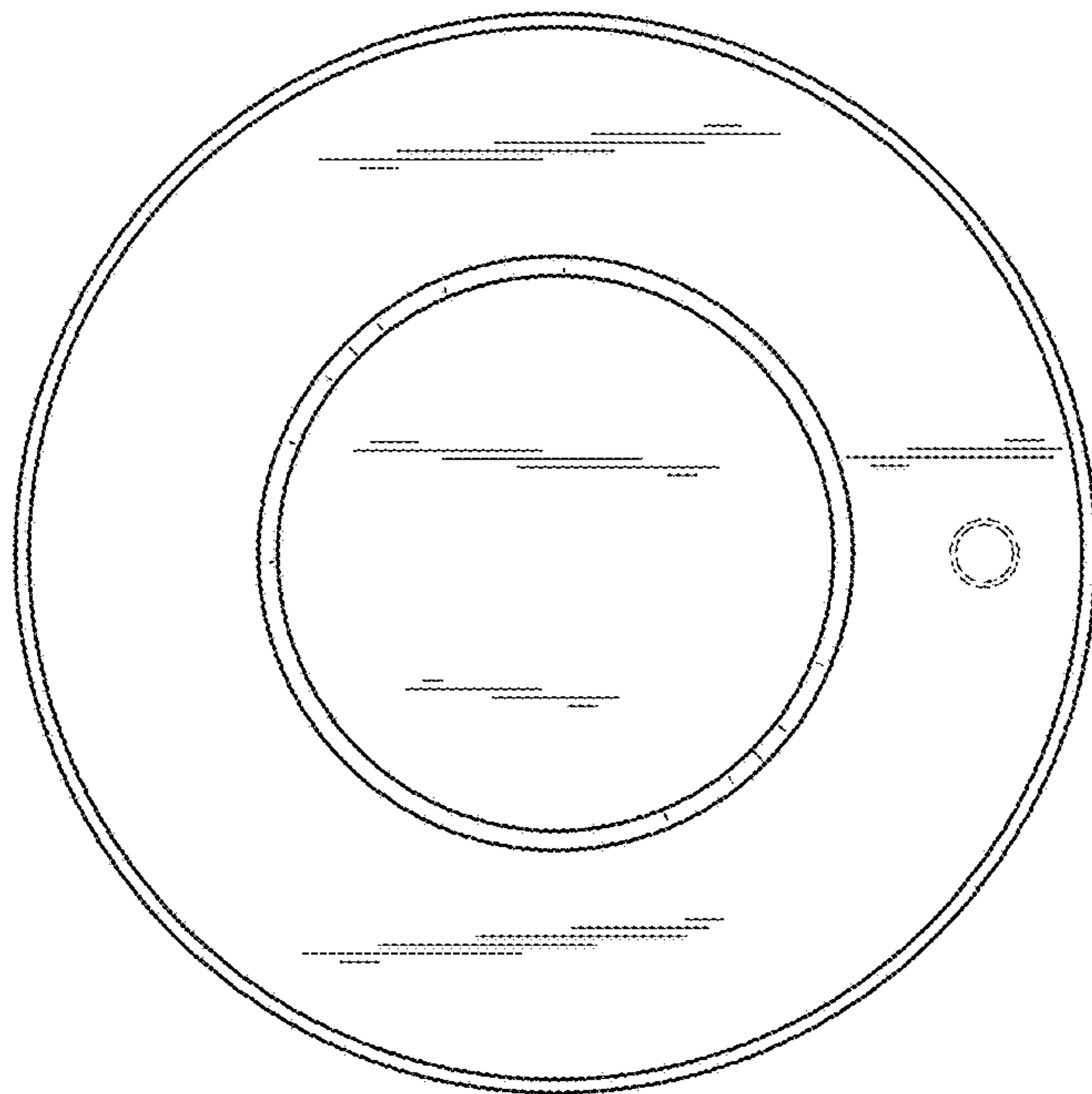


FIG. 5