



US00D866406S

(12) **United States Design Patent** (10) **Patent No.:** **US D866,406 S**
Kawakami (45) **Date of Patent:** **** Nov. 12, 2019**

(54) **SPEEDOMETER FOR A BICYCLE**
(71) Applicant: **Cateye Co., Ltd.**, Osaka (JP)
(72) Inventor: **Kenta Kawakami**, Osaka (JP)
(73) Assignee: **Cateye Co., Ltd.**, Osaka (JP)
(**) Term: **15 Years**
(21) Appl. No.: **29/643,610**
(22) Filed: **Apr. 10, 2018**

5,370,412 A * 12/1994 Chou B62J 99/00
280/288.4
D357,878 S * 5/1995 Tsushi D10/98
D357,880 S * 5/1995 Ueda D10/98
5,903,214 A * 5/1999 Watarai B62K 23/06
200/61.85
D436,898 S * 1/2001 Okada D12/114
D443,562 S * 6/2001 Okada D12/114
6,305,241 B1 * 10/2001 Masui B62J 11/00
224/420
D472,834 S * 4/2003 Ueda D10/98
D486,410 S * 2/2004 Ueda D10/98
D515,981 S * 2/2006 Gant D12/114
D522,394 S * 6/2006 Okuda D10/98
D553,528 S * 10/2007 Ueda D10/98

(Continued)

(30) **Foreign Application Priority Data**

Feb. 23, 2018 (JP) 2018-003767
(51) **LOC (12) Cl.** **12-11**
(52) **U.S. Cl.**
USPC **D12/114**
(58) **Field of Classification Search**
USPC D12/114, 187, 188, 189, 178, 400, 415;
D10/98; D14/432, 443, 447
CPC B62J 99/00; B62J 2099/0013; B62J
2099/002; B62J 2099/004; B62J
2099/0026; B62M 6/45; B62M 6/50
See application file for complete search history.

FOREIGN PATENT DOCUMENTS

JP 1345650 12/2008
KR 30-0914322 7/2017

(Continued)

Primary Examiner — Michelle E. Wilson
Assistant Examiner — Clese Moore, Jr.
(74) *Attorney, Agent, or Firm* — Saul Ewing Arnstein & Lehr LLP

(57) **CLAIM**

The ornamental design for a speedometer for a bicycle, as shown.

(56) **References Cited**

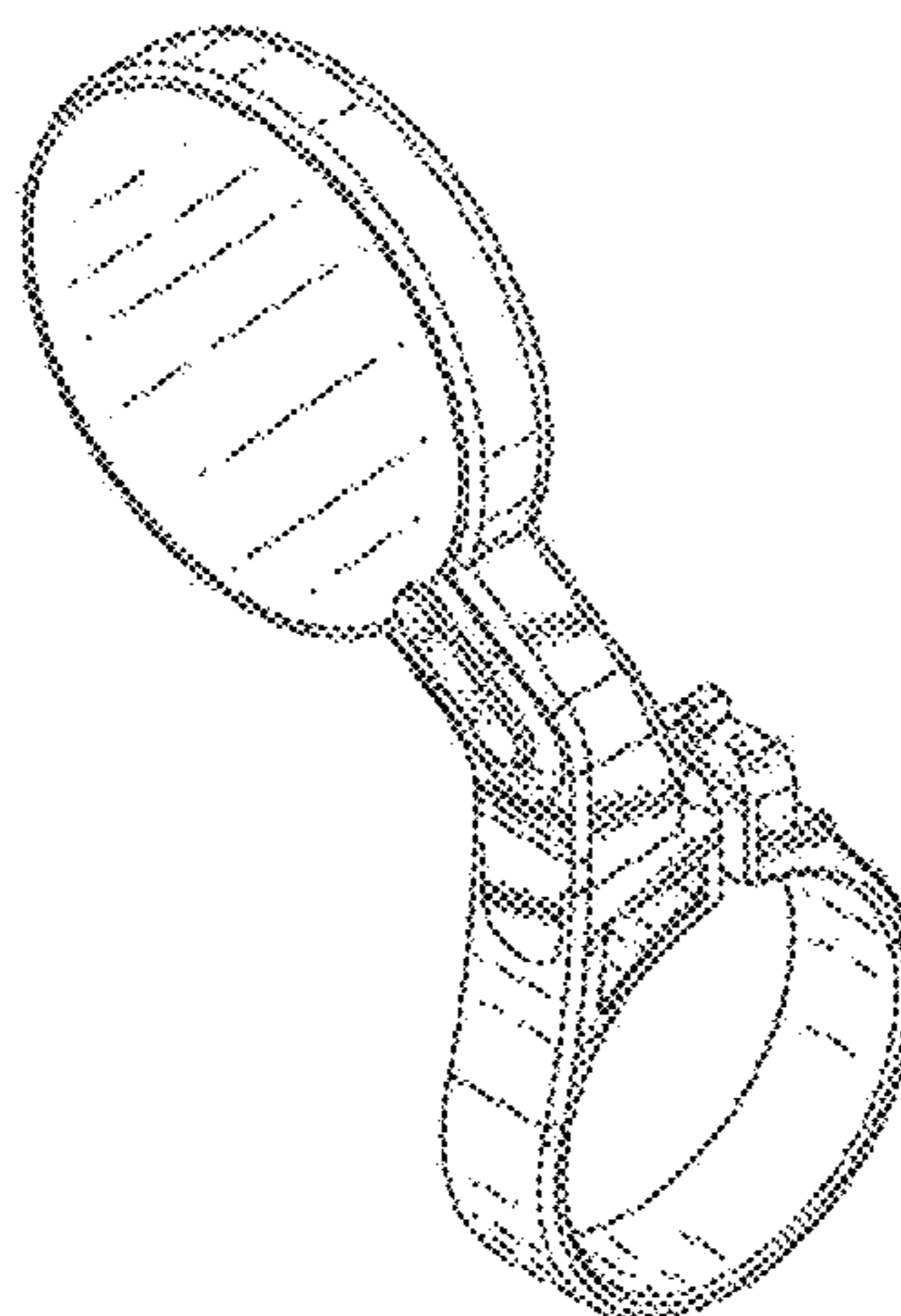
U.S. PATENT DOCUMENTS

3,995,945 A * 12/1976 Addicks B62J 29/00
359/842
D276,707 S * 12/1984 Segan D10/98
D312,052 S * 11/1990 Read D10/98
D312,588 S * 12/1990 Read D10/98
D319,988 S * 9/1991 Ueda D10/30
D327,446 S * 6/1992 Ueda D10/98
D328,037 S * 7/1992 Mercat D10/98
5,226,340 A * 7/1993 Takeda B62J 11/00
74/551.8

DESCRIPTION

FIG. 1 is a perspective view of a speedometer for a bicycle showing my new design;
FIG. 2 is a front elevational view thereof;
FIG. 3 is a rear elevational view thereof;
FIG. 4 is a right side view thereof;
FIG. 5 is a left side view thereof;
FIG. 6 is a top plan view thereof; and,
FIG. 7 is a bottom plan view thereof.

1 Claim, 4 Drawing Sheets



(56)

References Cited

U.S. PATENT DOCUMENTS

D647,434 S * 10/2011 Chambers B62J 11/00
D12/114
D661,608 S * 6/2012 Kimmich D10/98
D680,890 S * 4/2013 Ueda D10/98
D704,583 S * 5/2014 Ueda D10/98
9,016,911 B2 * 4/2015 Kurumatani B62J 6/00
362/473
D742,207 S * 11/2015 Oquendo D8/363
D759,522 S * 6/2016 Ueda D10/98
D765,549 S * 9/2016 Khodapanah D12/114
2001/0040204 A1 * 11/2001 Irie B62J 99/00
248/230.1
2010/0225459 A1 * 9/2010 Lee B60Q 1/503
340/432

FOREIGN PATENT DOCUMENTS

KR 30-0914323 7/2017
KR 30-0914324 7/2017
KR 30-0918686 8/2017
KR 30-0925160 9/2017
KR 30-0925161 9/2017
KR 30-0930729 11/2017

* cited by examiner

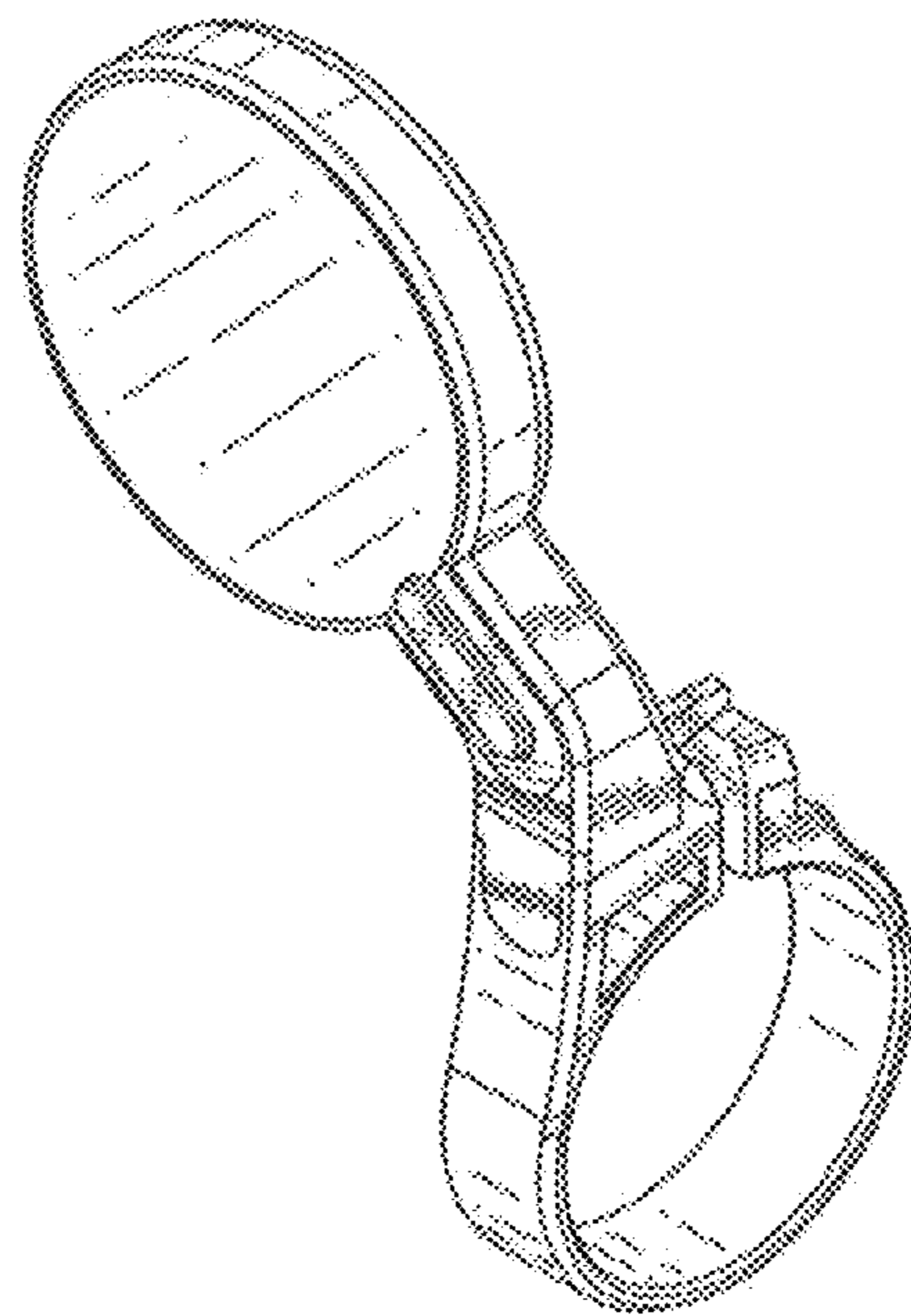


Fig. 1

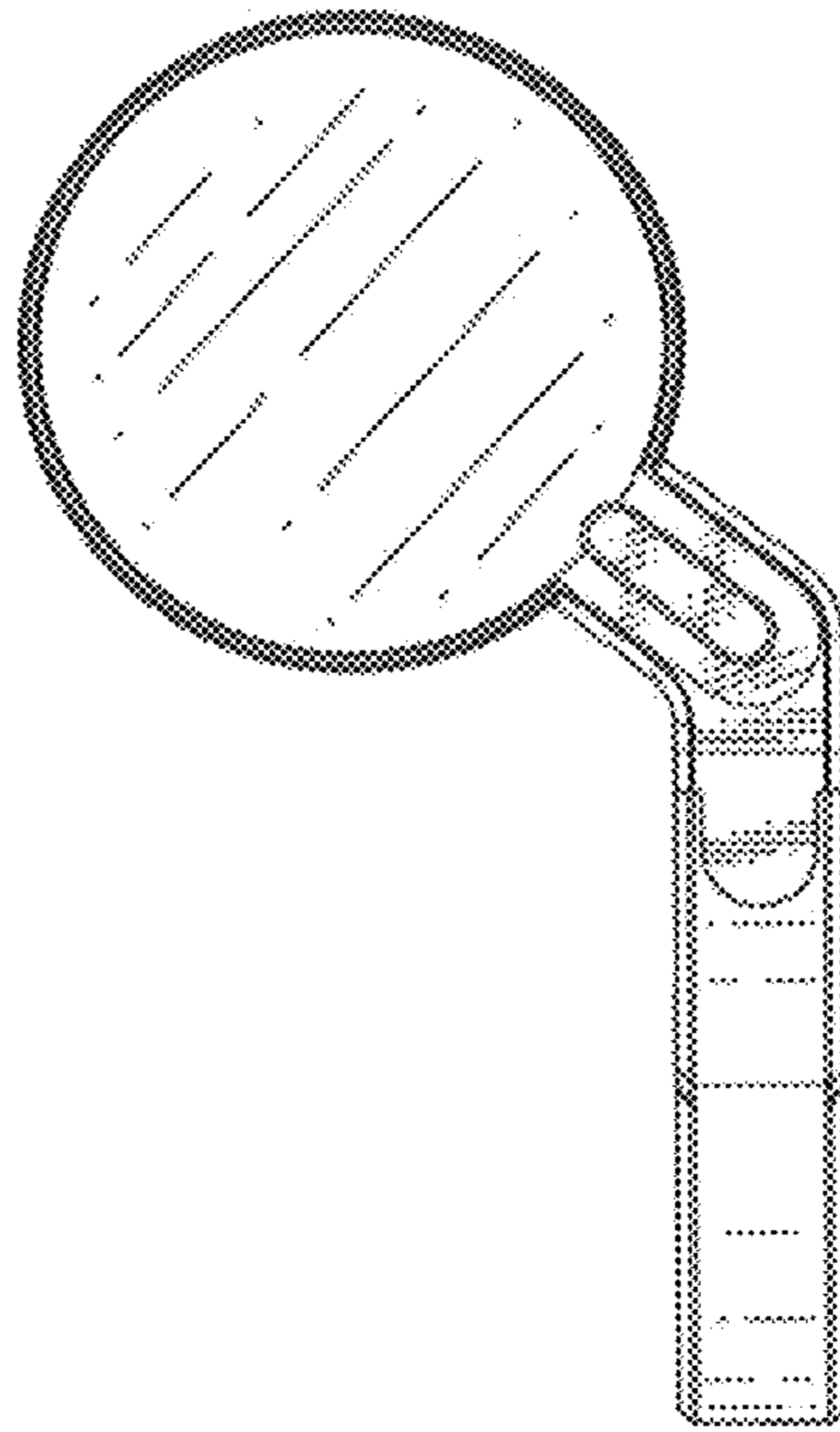


Fig. 2

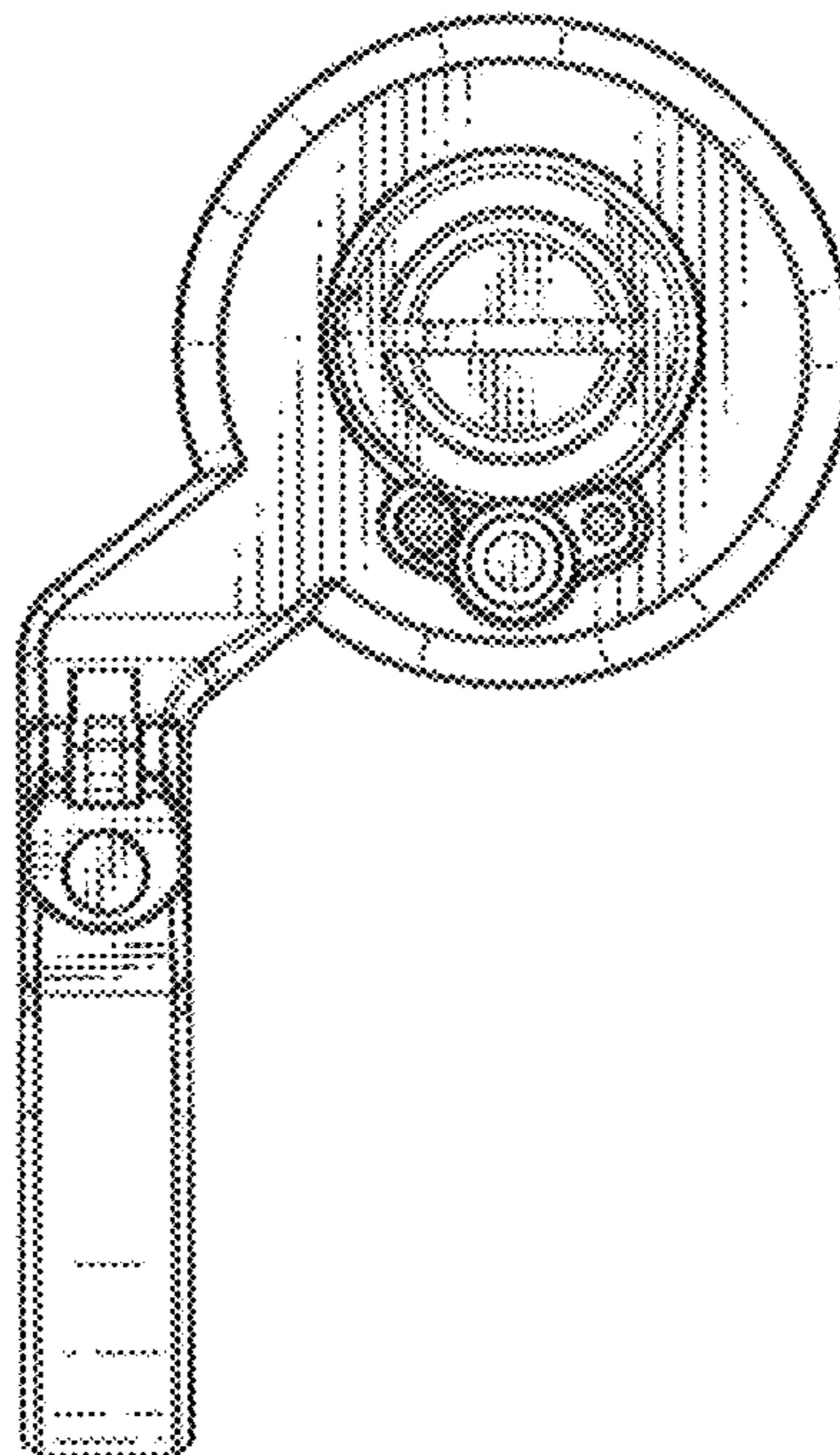


Fig. 3

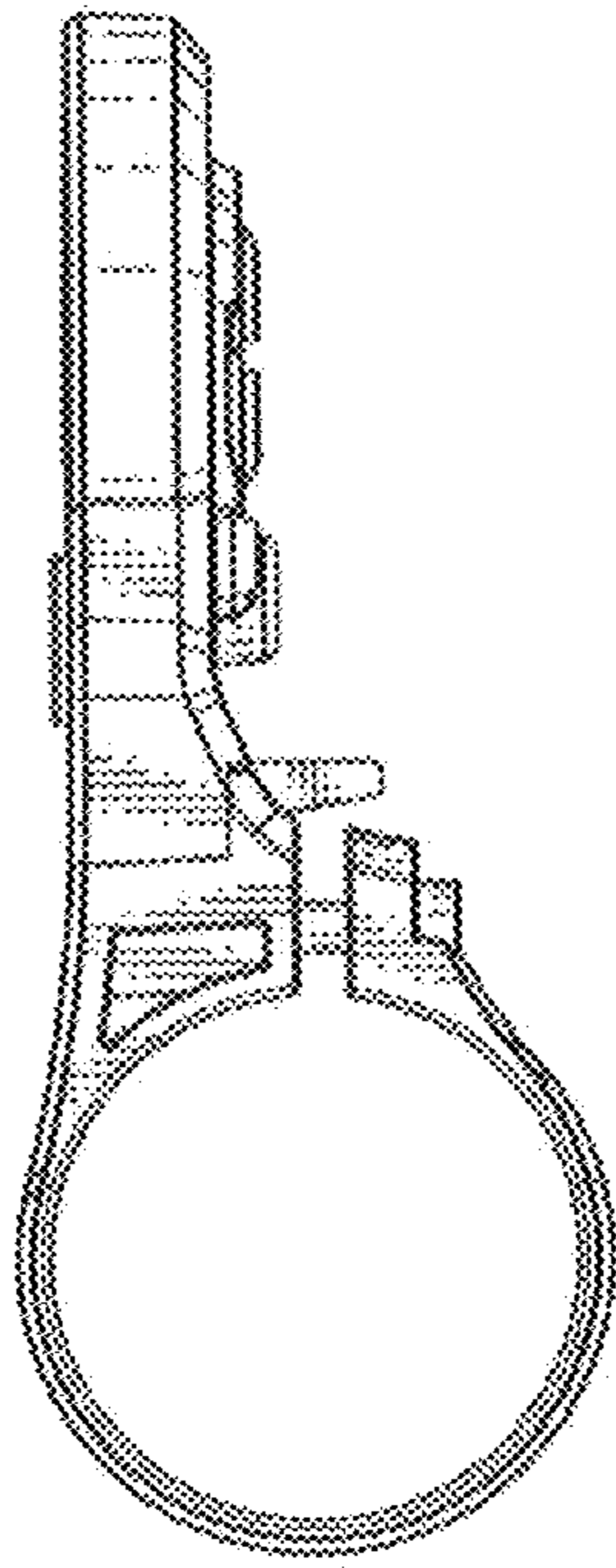


Fig. 4

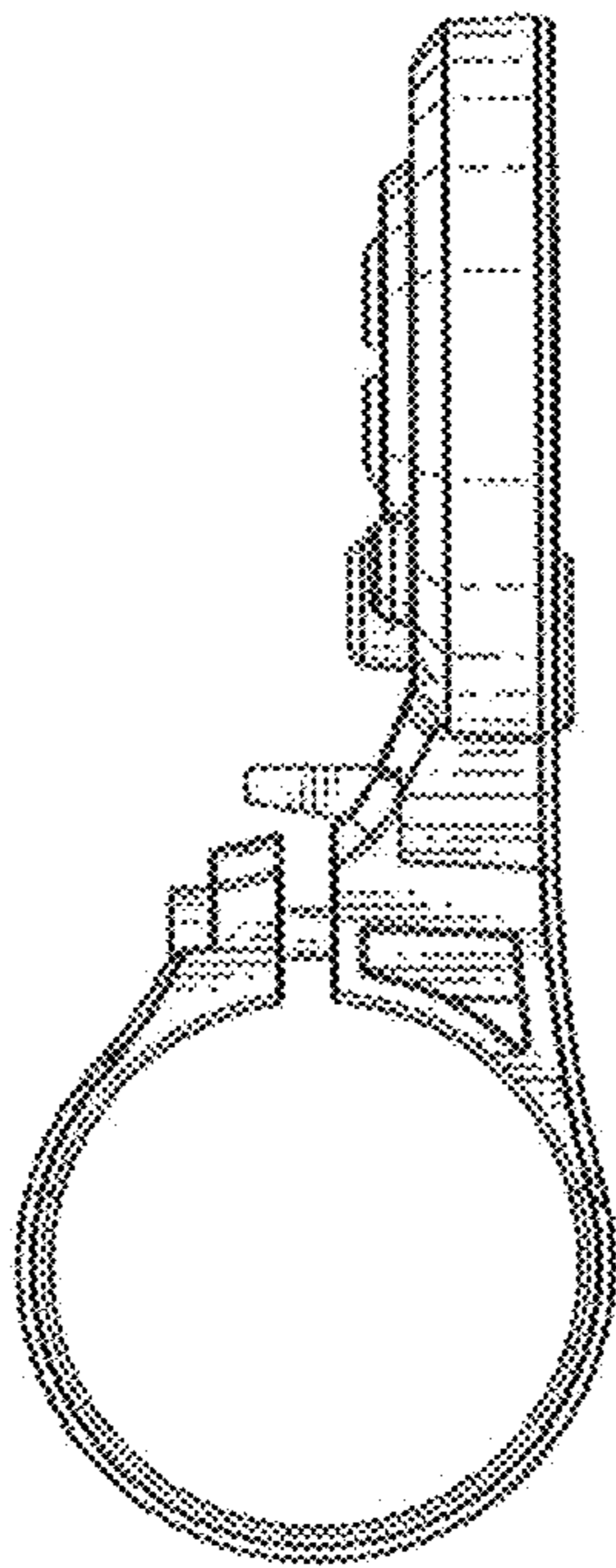


Fig. 5

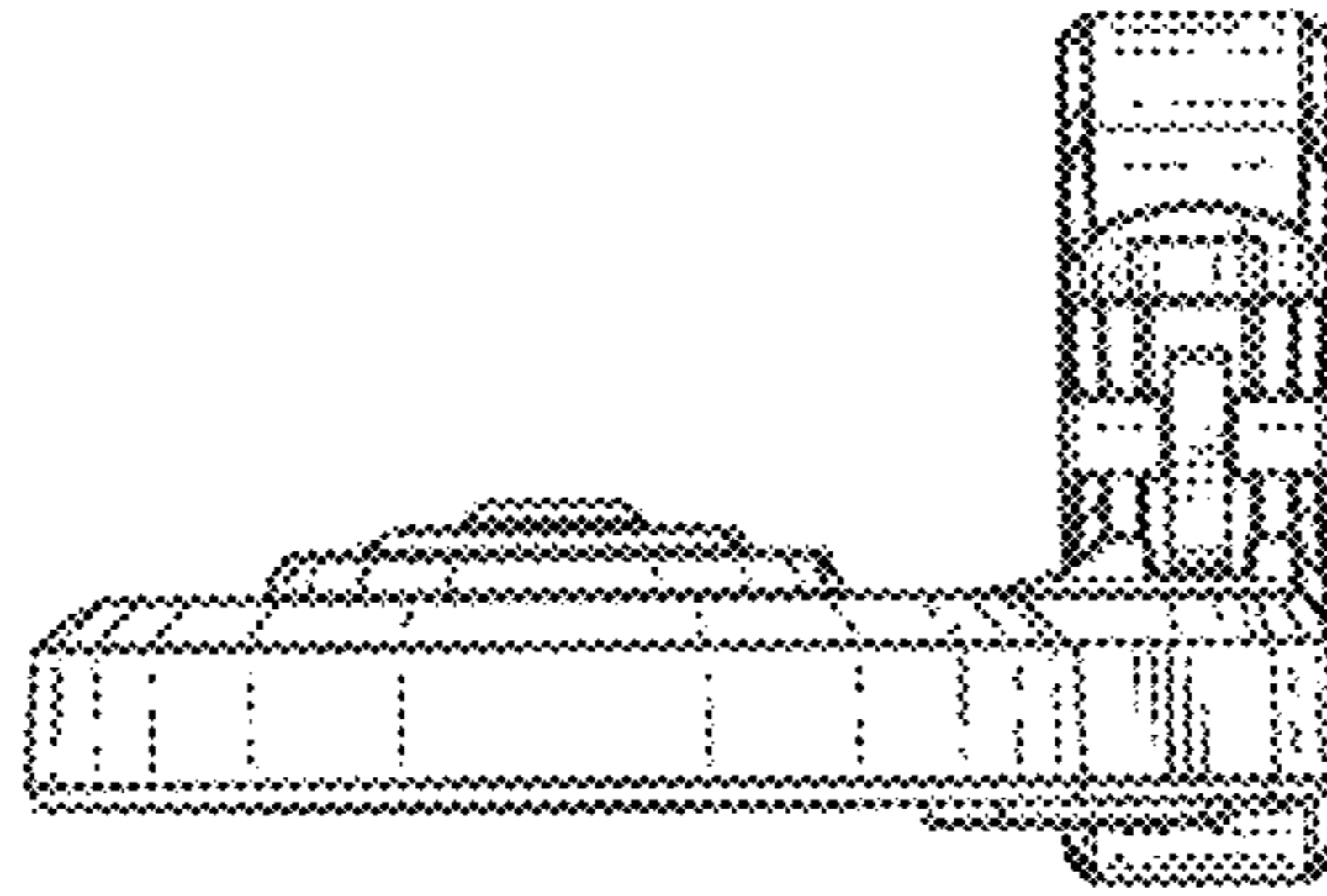


Fig. 6

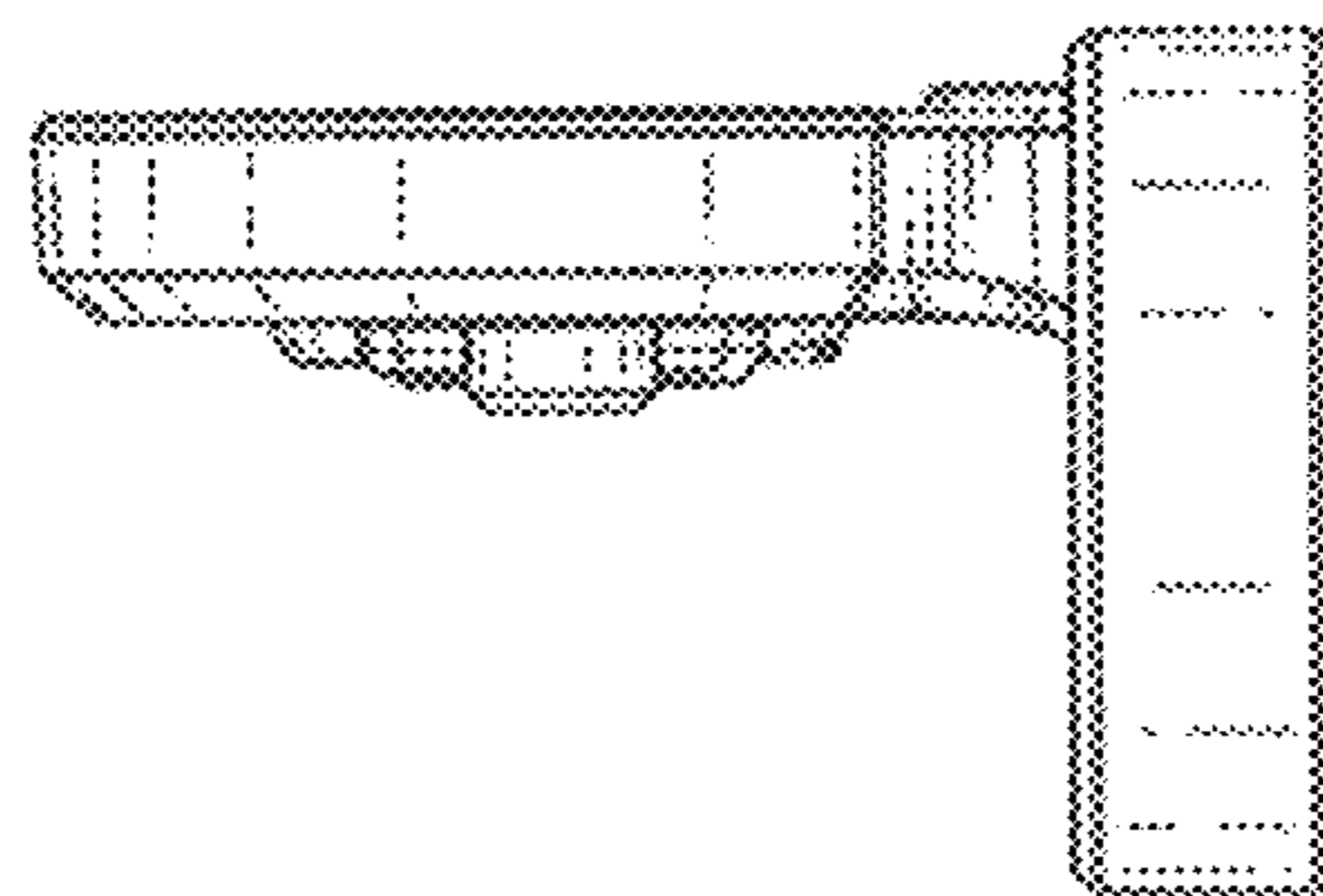


Fig. 7