



US00D866403S

(12) **United States Design Patent** (10) **Patent No.:** **US D866,403 S**
Lambri et al. (45) **Date of Patent:** **** Nov. 12, 2019**

(54) **MOTORCYCLE**

(71) Applicant: **PIAGGIO & C. SPA**, Pontedera (IT)

(72) Inventors: **Marco Lambri**, Pontedera (IT); **Mirko Zocco**, Pontedera (IT)

(73) Assignee: **PIAGGIO & C. S.P.A.**, Pontedera (PI) (IT)

(**) Term: **15 Years**

(21) Appl. No.: **35/505,883**

(22) Filed: **Apr. 18, 2018**

(80) **Hague Agreement Data**

Int. Filing Date: **Apr. 18, 2018**

Int. Reg. No.: **DM/100787**

Int. Reg. Date: **Apr. 18, 2018**

Int. Reg. Pub. Date: **Oct. 19, 2018**

(30) **Foreign Application Priority Data**

Nov. 3, 2017 (EM) 004493203

(51) **LOC (12) Cl.** **12-11**

(52) **U.S. Cl.**
USPC **D12/110**

(58) **Field of Classification Search**
USPC D12/110, 111, 117; D21/432, 538
CPC B62K 11/00; B62K 11/02; B62K 11/04;
B62K 11/10; B62K 17/00; B62K 19/00;
B62K 2202/00
See application file for complete search history.

(56) **References Cited**

U.S. PATENT DOCUMENTS

4,809,800 A * 3/1989 Suzuki B62K 11/00
180/219
D310,053 S * 8/1990 Kishi D12/110
D383,096 S * 9/1997 Abe D12/110

D401,892 S * 12/1998 Sugimoto D12/110
D444,103 S * 6/2001 Robb D12/110
D516,468 S * 3/2006 Kuboshima D12/110
D543,905 S * 6/2007 Domergue D12/110
D566,010 S * 4/2008 Hohdorf D12/110
D566,011 S * 4/2008 Hohdorf D12/110
D603,759 S * 11/2009 Nakazawa D12/110
D605,087 S * 12/2009 Wong D12/110
D636,708 S * 4/2011 Katagiri D12/110
D695,648 S * 12/2013 Yamazaki D12/110
D723,430 S * 3/2015 Schmidt D12/110
D736,677 S * 8/2015 Imura D12/110
D774,964 S * 12/2016 Akashi D12/110
D782,368 S * 3/2017 Fujimoto D12/110
D793,285 S * 8/2017 Toyama D12/110
D800,023 S * 10/2017 Kottmann D12/110
D814,360 S * 4/2018 Ma D12/110
D817,230 S * 5/2018 Tamura D12/110
D819,499 S * 6/2018 Hahn-Woernle D12/110
D828,230 S * 9/2018 Cammorata D12/110
2012/0318598 A1 * 12/2012 Fujiyama B60K 5/12
180/219
2015/0101875 A1 * 4/2015 Inayama B60K 13/02
180/225

* cited by examiner

Primary Examiner — Darlington Ly

(74) *Attorney, Agent, or Firm* — Cantor Colburn LLP

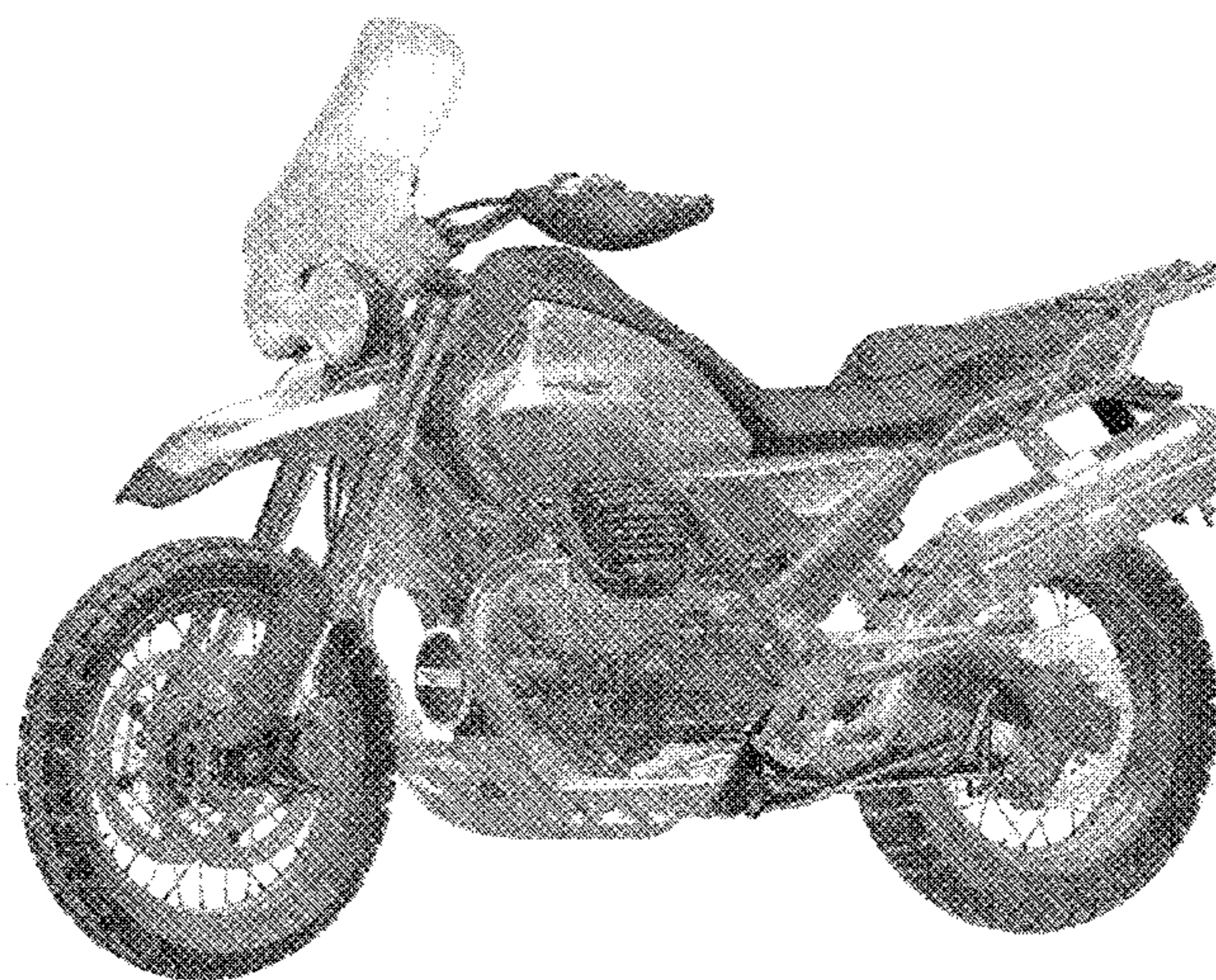
(57) **CLAIM**

The ornamental design for a motorcycle, as shown and described.

DESCRIPTION

1. Motorcycle
1.1 is a perspective view of a motorcycle showing our new design;
1.2 is a front elevation view thereof;
1.3 is a rear elevation view thereof;
1.4 is a left side elevation view thereof;
1.5 is a right side elevation view thereof;
1.6 is a top plan view thereof; and
1.7 is a bottom plan view thereof.

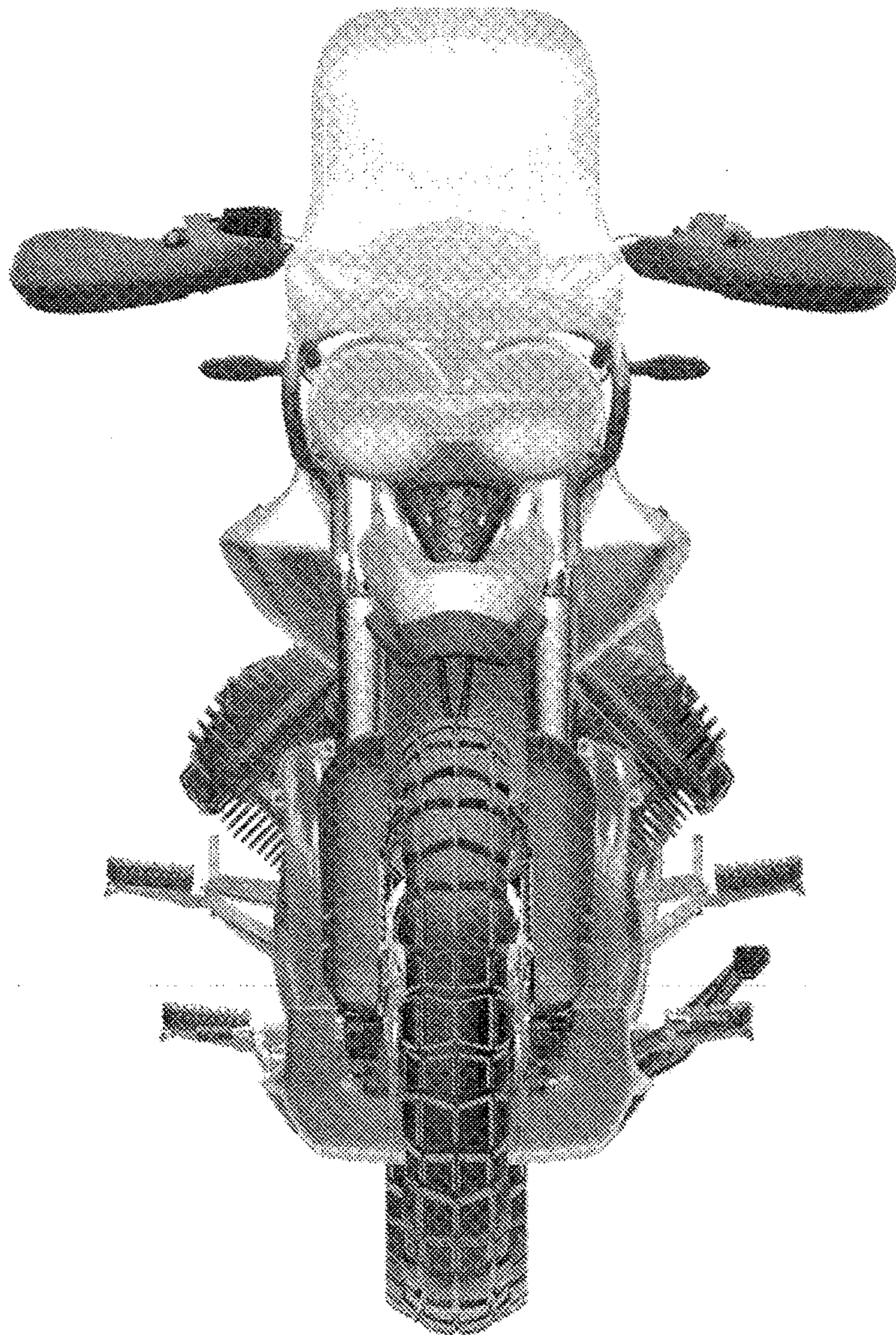
1 Claim, 7 Drawing Sheets



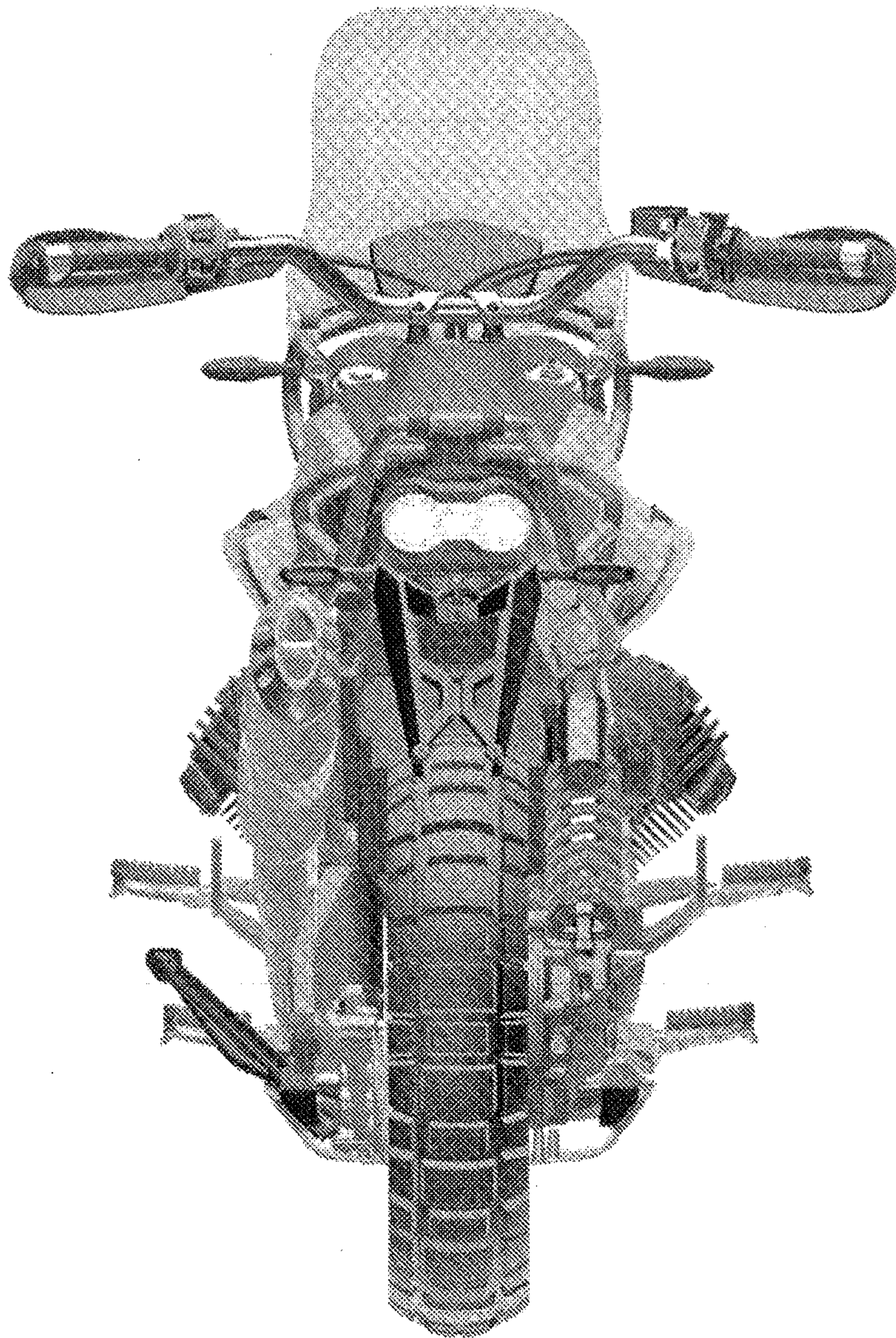
1.1



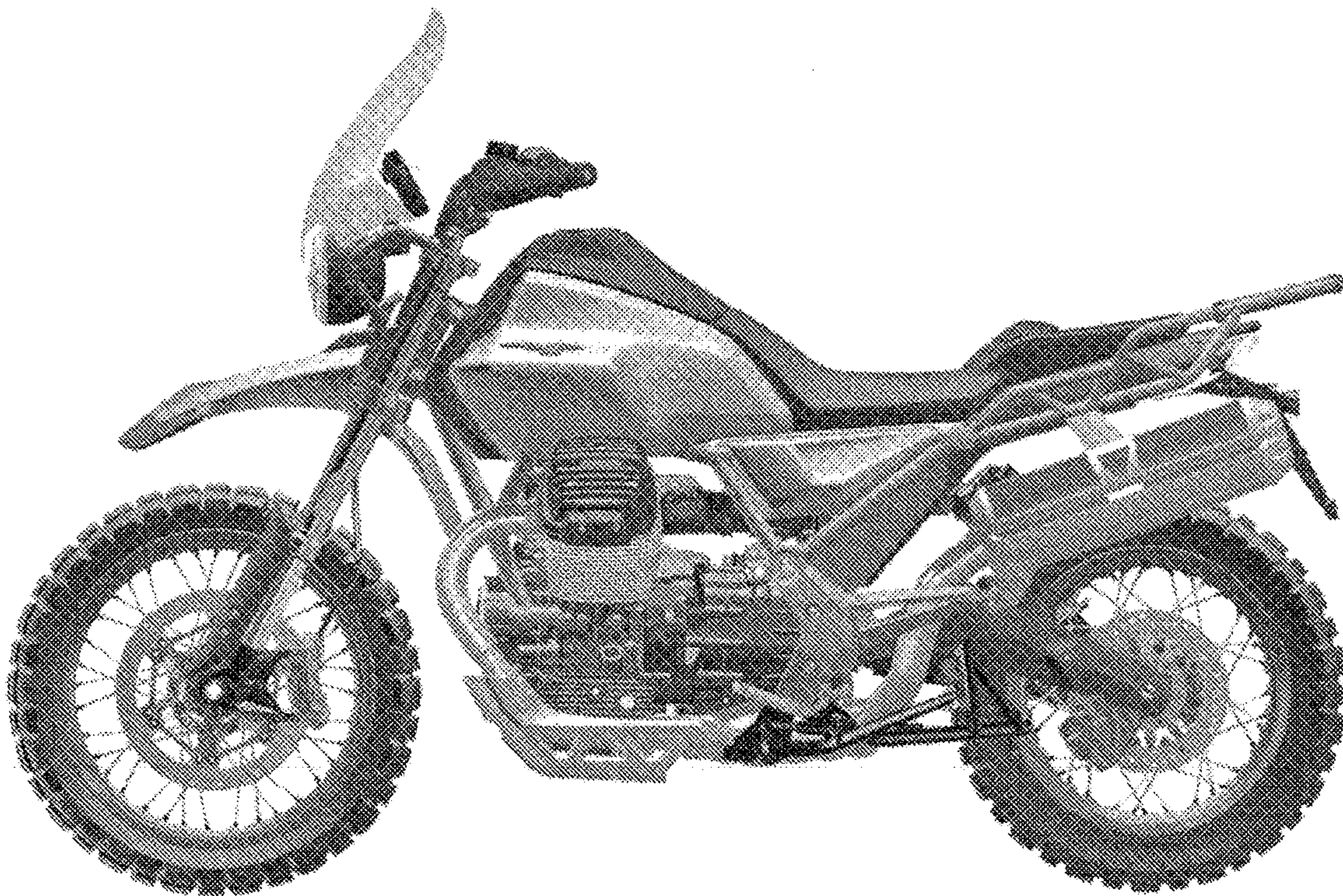
1.2



1.3



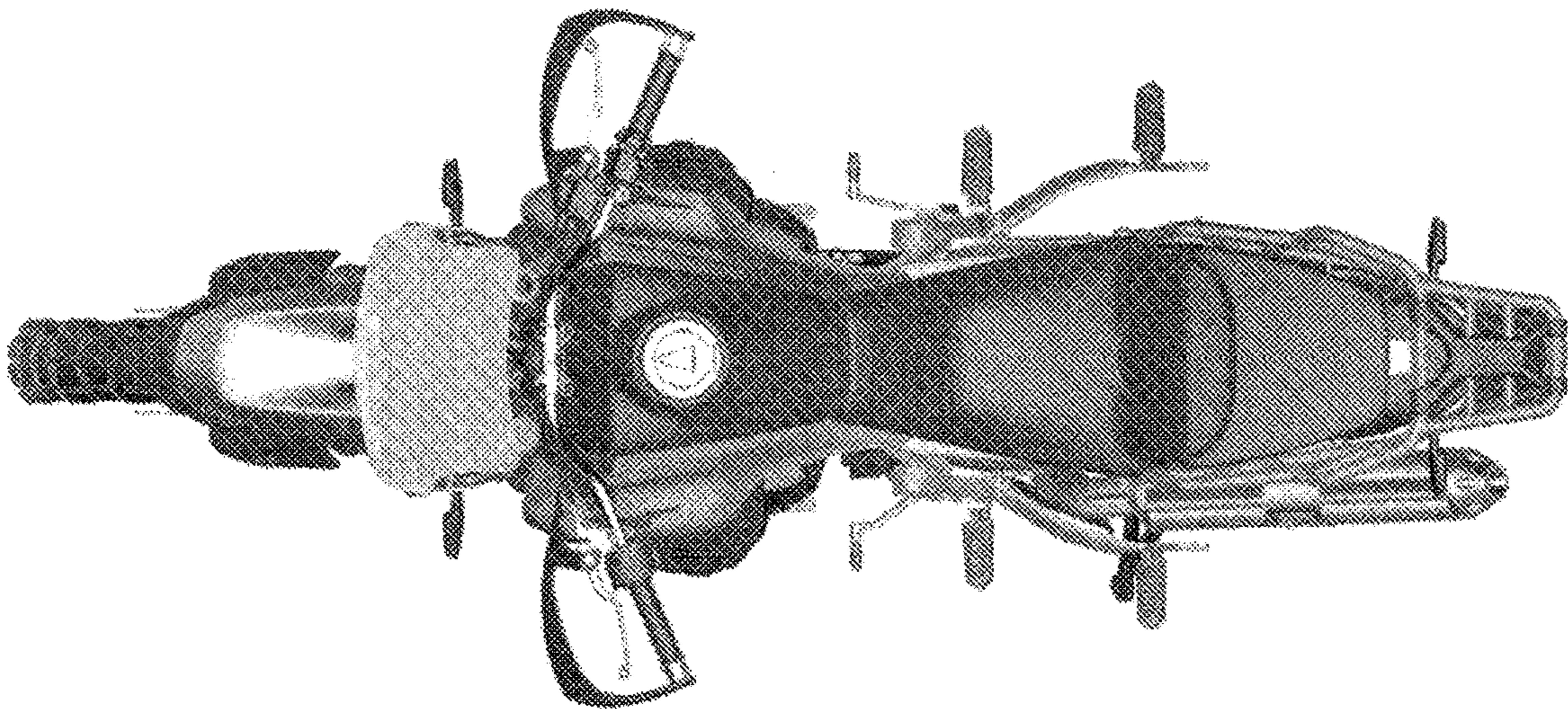
1.4



1.5



1.6



1.7

