



US00D866402S

(12) **United States Design Patent**
Wang et al.

(10) **Patent No.:** **US D866,402 S**

(45) **Date of Patent:** **** Nov. 12, 2019**

- (54) **ALL-TERRAIN VEHICLE**
- (71) Applicant: **KWANG YANG MOTOR CO., LTD.**,
Kaohsiung (TW)
- (72) Inventors: **Bo-Jin Wang**, Kaohsiung (TW);
Ming-Yi Shen, Kaohsiung (TW)
- (73) Assignee: **KWANG YANG MOTOR CO., LTD.**,
Kaohsiung (TW)
- (**) Term: **15 Years**
- (21) Appl. No.: **29/642,526**
- (22) Filed: **Mar. 30, 2018**
- (51) **LOC (12) Cl.** **12-11**
- (52) **U.S. Cl.**
USPC **D12/107**
- (58) **Field of Classification Search**
USPC D12/3, 86, 87, 107, 110
CPC B60K 5/12; B60K 13/04; B60K 17/354
See application file for complete search history.

| | | | | |
|--------------|---------|-----------|-------|---------|
| D531,088 S * | 10/2006 | Lin | | D12/107 |
| D532,339 S * | 11/2006 | Hishiki | | D12/107 |
| D539,705 S * | 4/2007 | Ichikawa | | D12/107 |
| D542,186 S * | 5/2007 | Lai | | D12/107 |
| D542,188 S * | 5/2007 | Miwa | | D12/107 |
| D585,792 S * | 2/2009 | Chao | | D12/107 |
| D599,251 S * | 9/2009 | Yin | | D12/107 |
| D609,136 S * | 2/2010 | Renchuan | | D12/107 |
| D620,399 S * | 7/2010 | Wu | | D12/107 |
| D640,604 S * | 6/2011 | Lai | | D12/107 |
| D640,605 S * | 6/2011 | Lai | | D12/107 |
| D657,721 S * | 4/2012 | Miyanishi | | D12/107 |
| D668,184 S * | 10/2012 | Tashiro | | D12/107 |
| D671,037 S * | 11/2012 | Wu | | D12/107 |
| D674,728 S * | 1/2013 | Matsumura | | D12/107 |
| D680,468 S * | 4/2013 | Li | | D12/107 |
| D680,469 S * | 4/2013 | Li | | D12/107 |
| D691,519 S * | 10/2013 | Fisher | | D12/107 |
| D694,671 S * | 12/2013 | Lai | | D12/107 |

(Continued)

Primary Examiner — Darlington Ly

(74) *Attorney, Agent, or Firm* — Leong C. Lei

(57) **CLAIM**

The ornamental design for an all-terrain vehicle, as shown and described.

DESCRIPTION

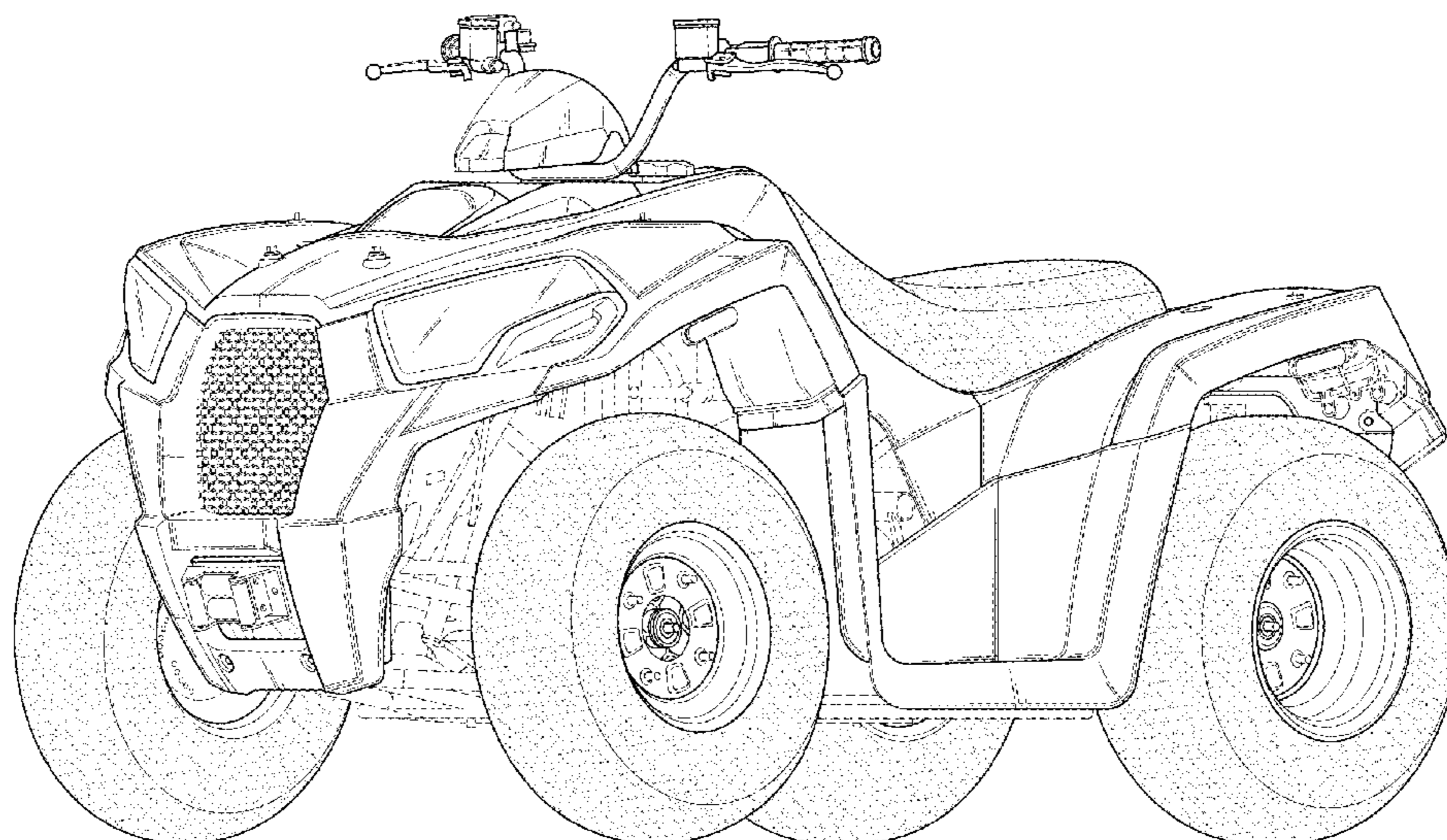
FIG. 1 is a perspective view of an all-terrain vehicle showing our new design;
 FIG. 2 is a front elevational view thereof;
 FIG. 3 is a rear elevational view thereof;
 FIG. 4 is a left side elevational view thereof;
 FIG. 5 is a right side elevational view thereof;
 FIG. 6 is a top plan view thereof;
 FIG. 7 is a bottom plan view thereof; and,
 FIG. 8 is a rear elevational view thereof.
 The broken lines in the drawings illustrate portions of the all-terrain vehicle that form no part of the claimed design.

1 Claim, 8 Drawing Sheets

(56) **References Cited**

U.S. PATENT DOCUMENTS

| | | | | |
|--------------|---------|----------|-------|---------|
| D374,416 S * | 10/1996 | Miyamoto | | D12/107 |
| D383,095 S * | 9/1997 | Miyamoto | | D12/107 |
| D421,935 S * | 3/2000 | Fujieda | | D12/107 |
| D428,363 S * | 7/2000 | Sugimoto | | D12/107 |
| D436,559 S * | 1/2001 | Fujieda | | D12/107 |
| D496,308 S * | 9/2004 | Wu | | D12/107 |
| D516,467 S * | 3/2006 | Wu | | D12/107 |
| D517,951 S * | 3/2006 | Luh | | D12/107 |
| D517,952 S * | 3/2006 | Luh | | D12/107 |
| D520,912 S * | 5/2006 | Knight | | D12/107 |
| D520,914 S * | 5/2006 | Luh | | D12/107 |
| D522,924 S * | 6/2006 | Yokoyama | | D12/107 |
| D523,782 S * | 6/2006 | Lin | | D12/107 |
| D529,414 S * | 10/2006 | Wu | | D12/107 |
| D529,840 S * | 10/2006 | Sugawara | | D12/107 |



(56)

References Cited

U.S. PATENT DOCUMENTS

| | | | |
|----------------|---------|-----------------|-----------|
| D721,300 S * | 1/2015 | Li | D12/107 |
| D761,698 S * | 7/2016 | Umemoto | D12/107 |
| D774,957 S * | 12/2016 | Umemoto | D12/107 |
| 9,649,928 B2 * | 5/2017 | Danielson | B60K 5/02 |
| 9,873,316 B2 * | 1/2018 | Lovold | B60K 5/12 |

* cited by examiner

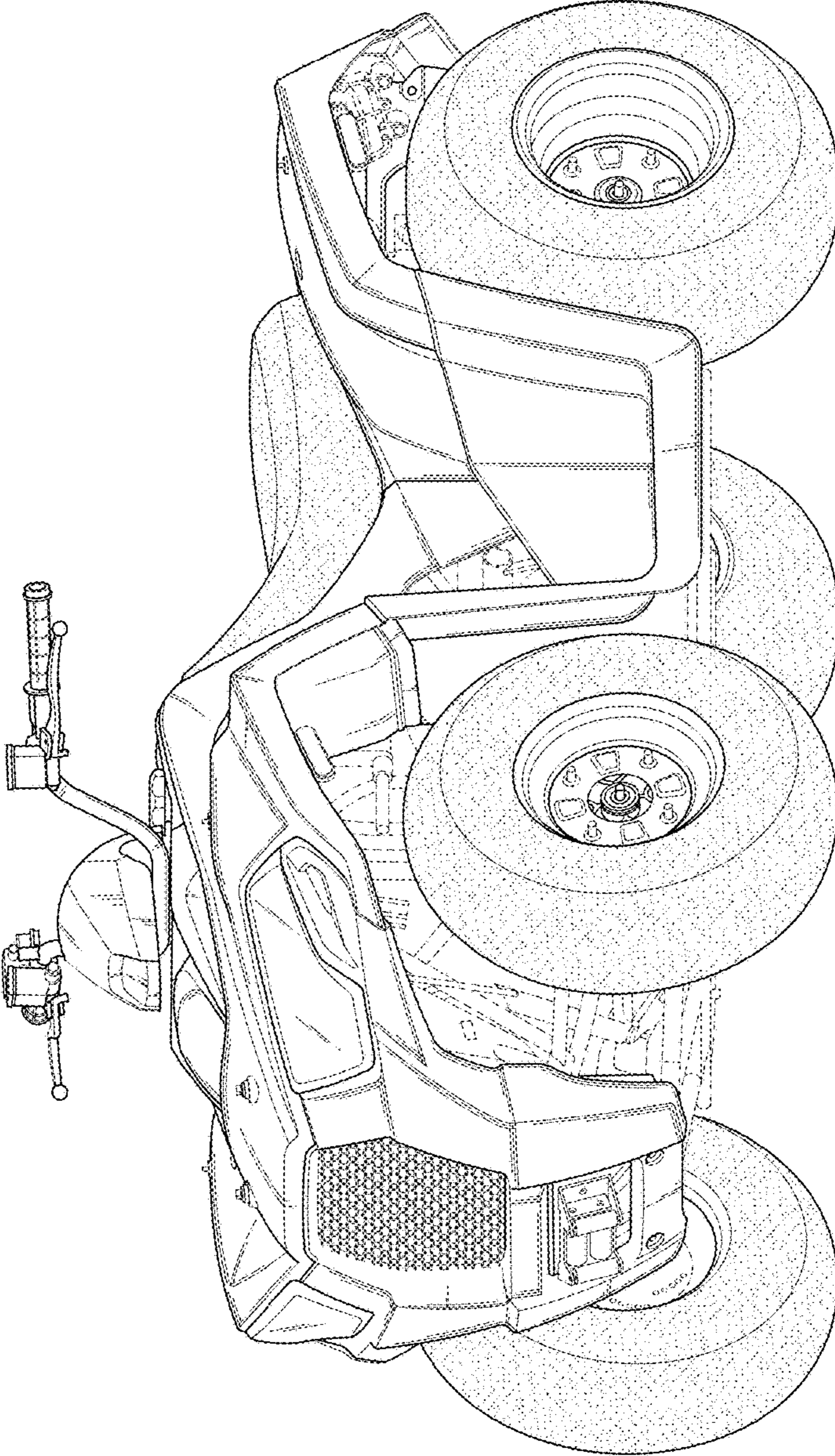


FIG. 1

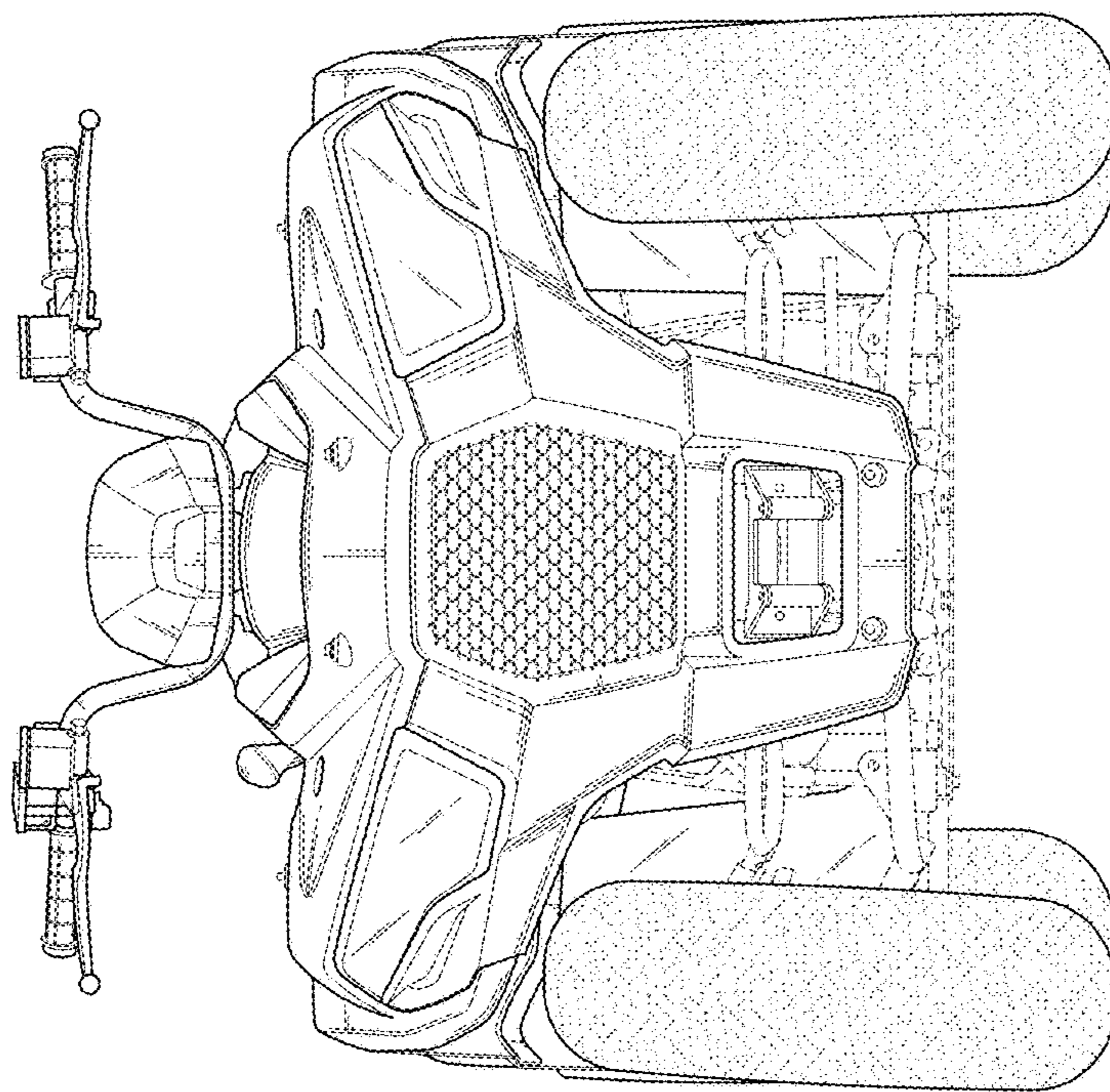


FIG.2

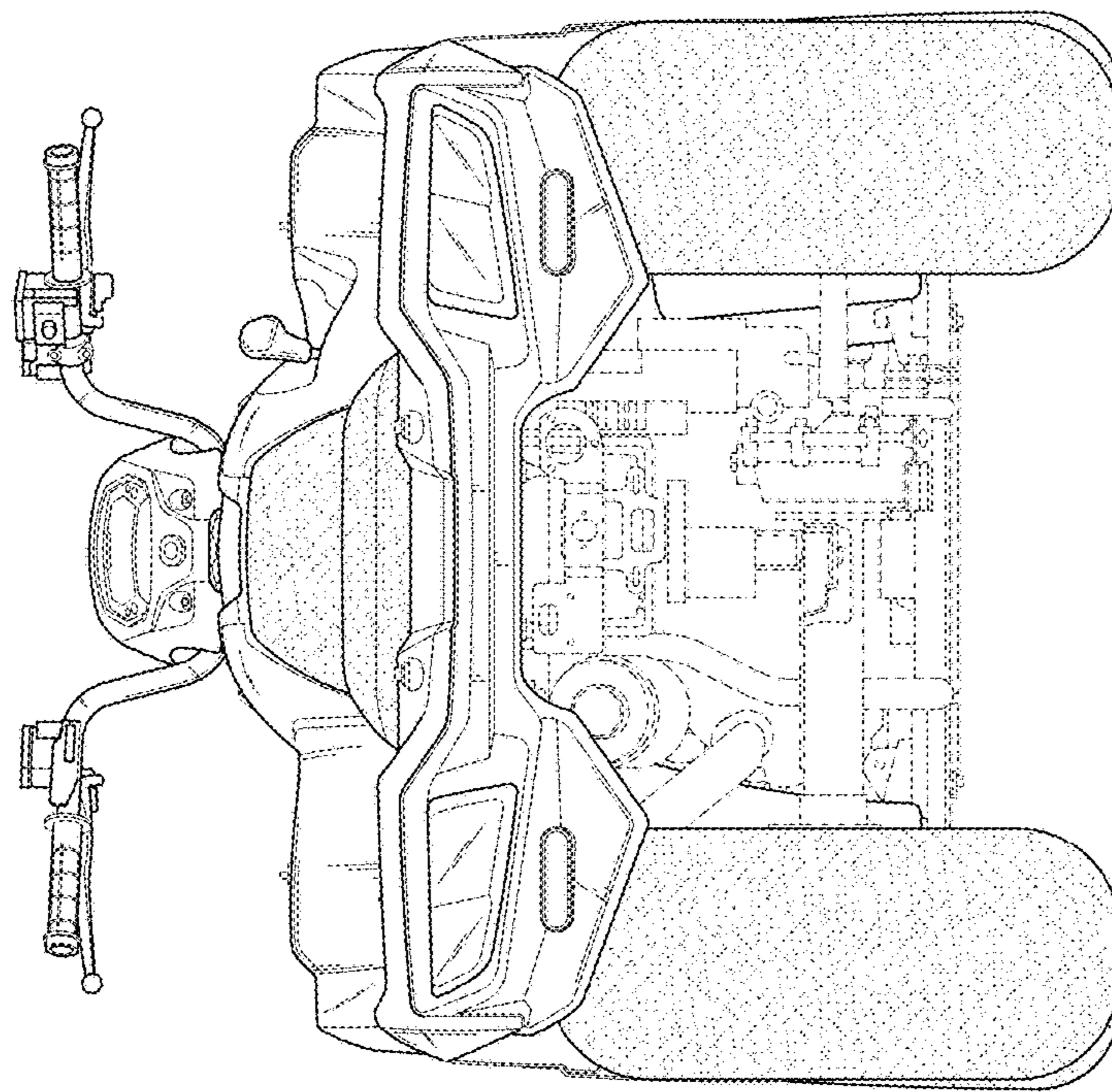


FIG.3

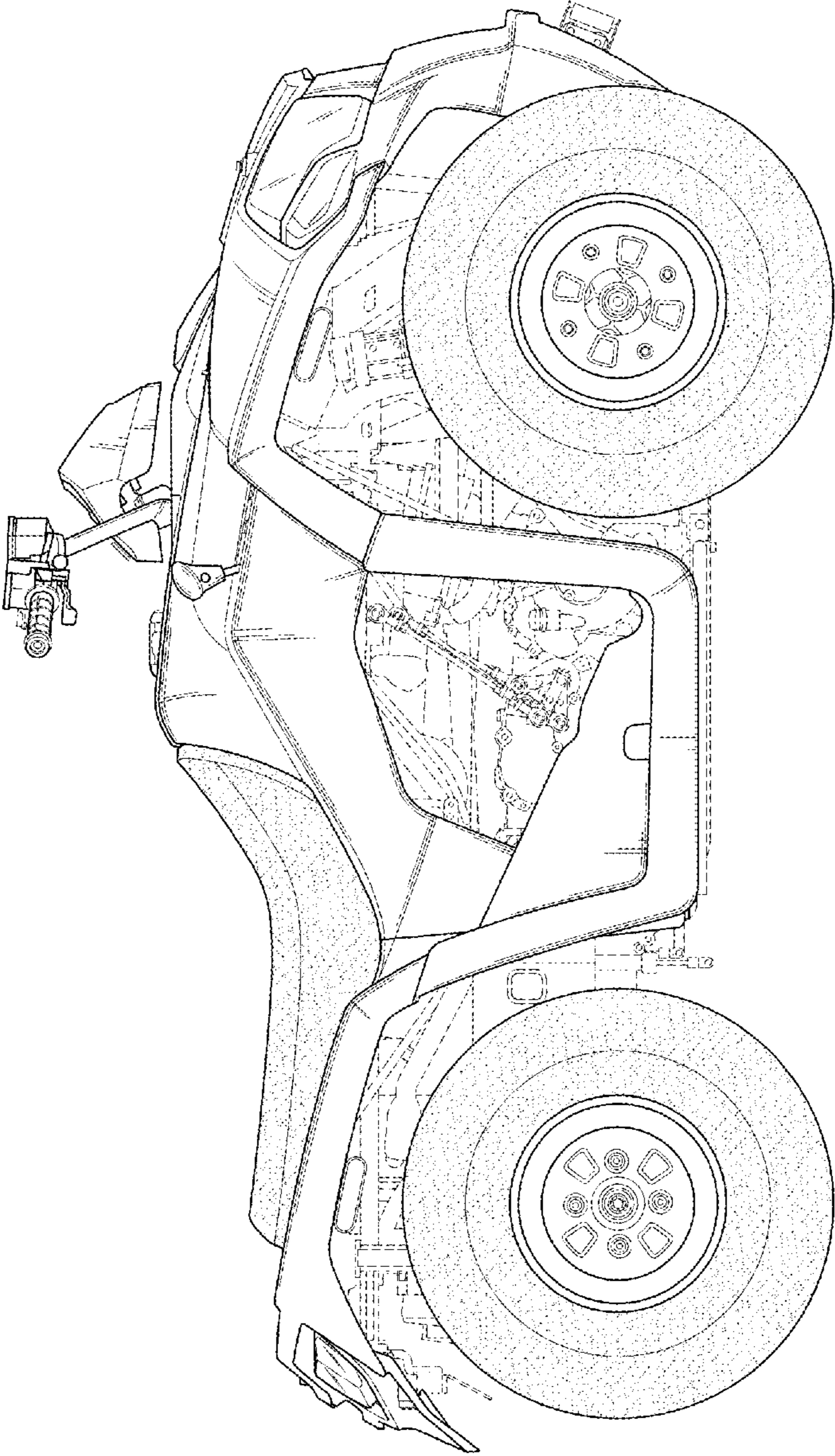


FIG.4

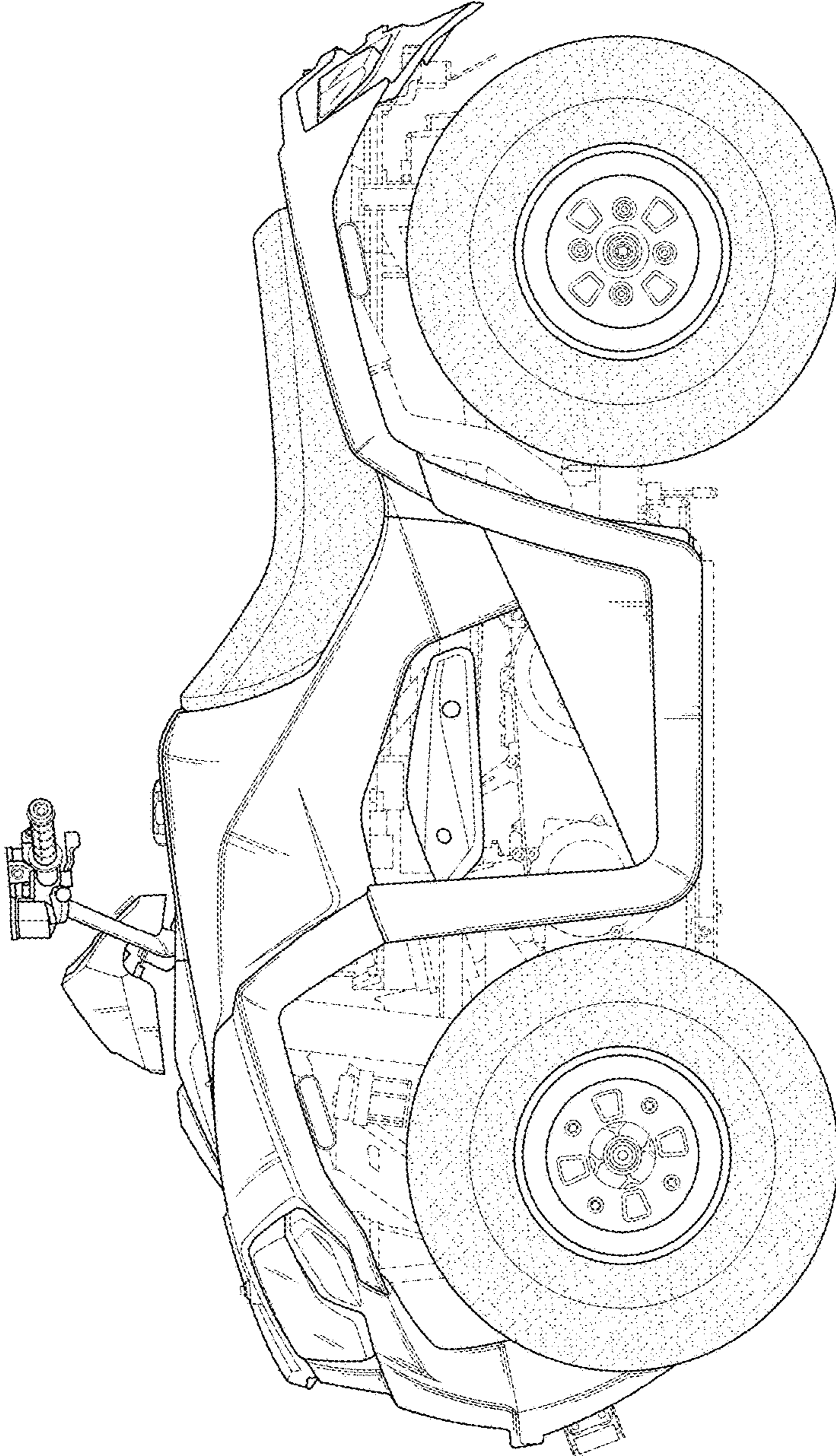


FIG.5

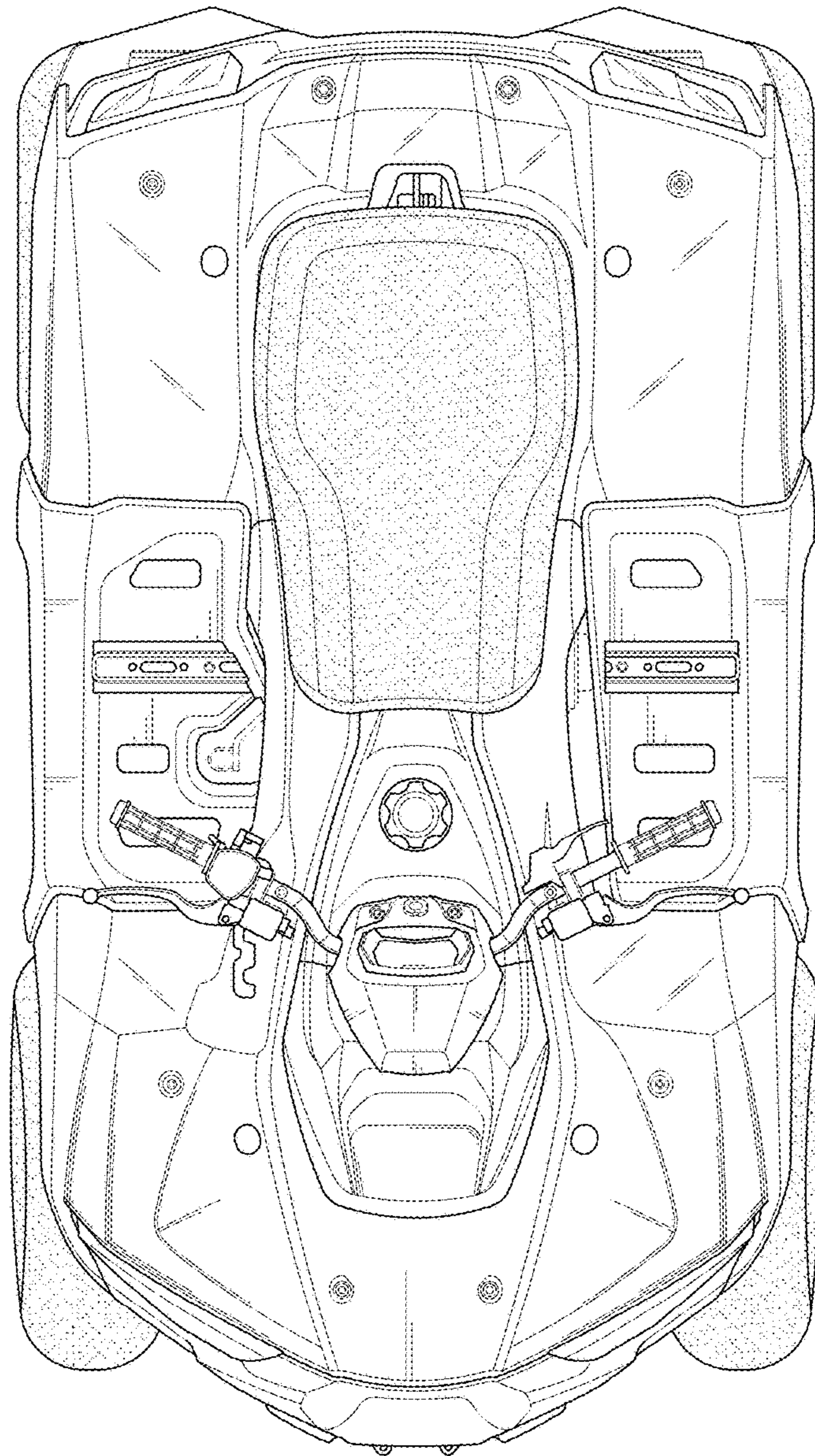


FIG.6

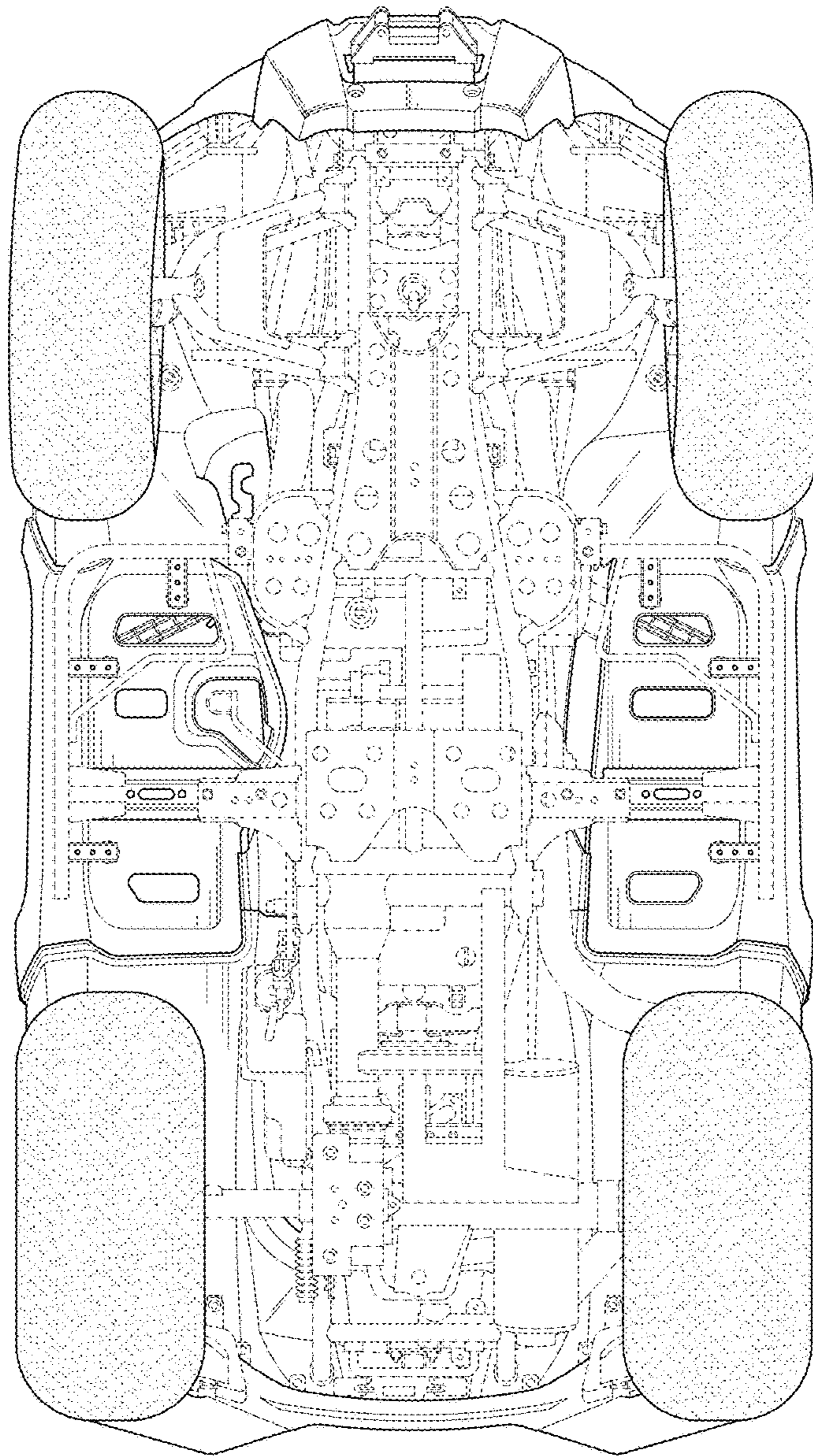


FIG.7

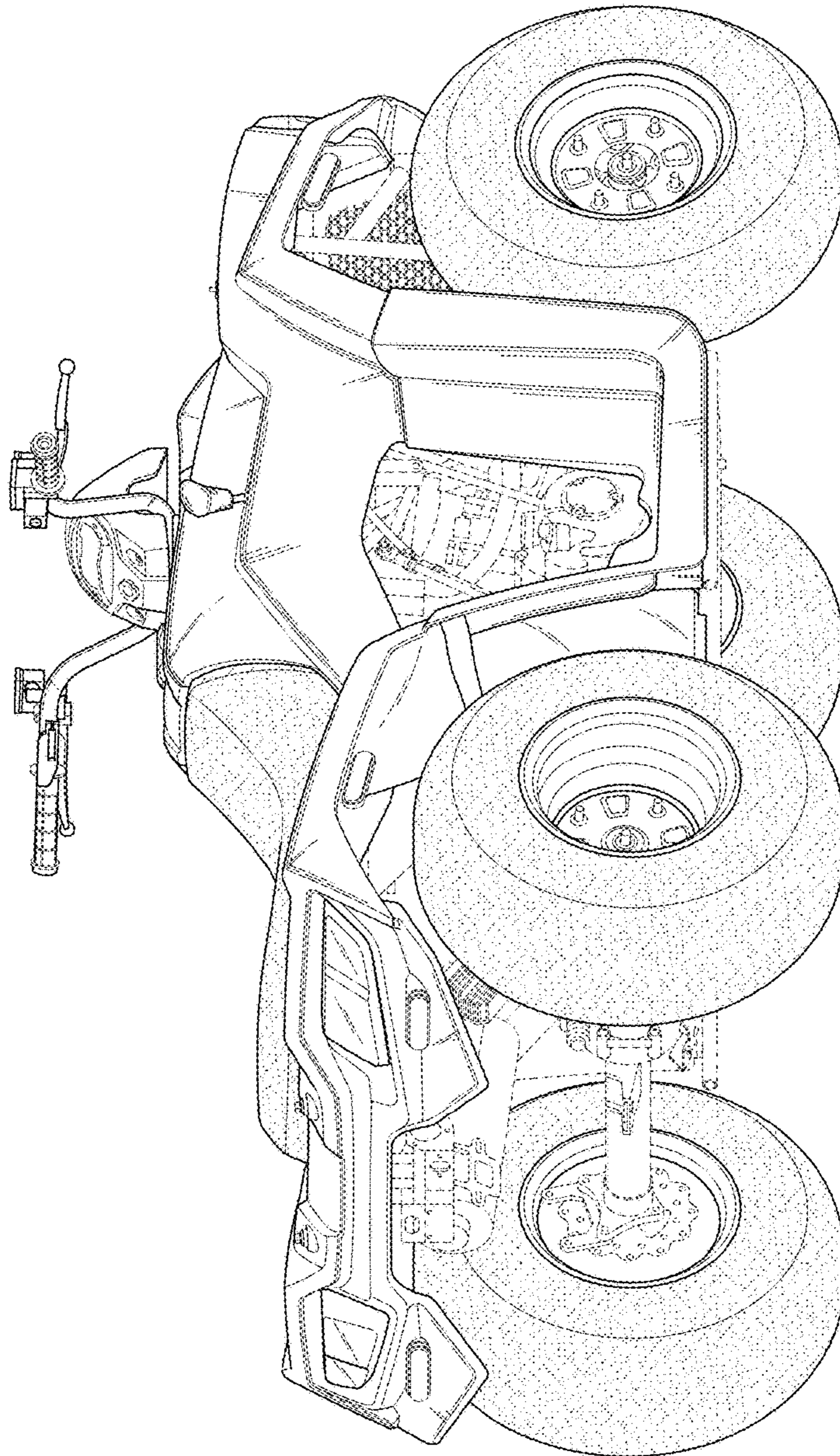


FIG.8