



US00D866401S

(12) **United States Design Patent** (10) **Patent No.:** **US D866,401 S**
Arter et al. (45) **Date of Patent:** **** Nov. 12, 2019**

- (54) **TRAILER**
- (71) Applicant: **Veinticuatro, LLC**, Baton Rouge, LA (US)
- (72) Inventors: **Steven R. Arter**, Baton Rouge, LA (US); **John C. Saris, Jr.**, Hatley, WI (US)
- (73) Assignee: **Veinticuatro, LLC**, Baton Rouge, LA (US)
- (**) Term: **15 Years**
- (21) Appl. No.: **29/642,351**
- (22) Filed: **Mar. 29, 2018**
- (51) **LOC (12) Cl.** **12-10**
- (52) **U.S. Cl.**
USPC **D12/102**
- (58) **Field of Classification Search**
USPC D12/19, 129, 100-106, 111, 112;
D21/425, 435; D34/21-26, 12, 16-19
CPC .. B62D 35/00; B62D 33/077; B62D 33/0612;
B62D 24/04; B60P 3/10; B60P 3/1033;
B60P 3/0257; B60P 3/38; B60P 3/34;
E01F 15/14
See application file for complete search history.

- D762,145 S * 7/2016 Van Bosstraeten D12/102
- D801,229 S * 10/2017 Brock B62D 63/06
D12/102
- D822,544 S * 7/2018 Black D12/102
- D836,037 S * 12/2018 Tran D12/102
- D850,980 S * 6/2019 Griffin D12/93

* cited by examiner

Primary Examiner — Katrina A Betton

(74) *Attorney, Agent, or Firm* — McGlinchey Stafford; R. Andrew Patty, II

(57) **CLAIM**

The ornamental design for a trailer, as shown and described.

DESCRIPTION

FIG. 1 is a front perspective view of a trailer in accordance with the present invention;
 FIG. 2 is a rear perspective view of the trailer in FIG. 1;
 FIG. 3 is a front view thereof;
 FIG. 4 is a rear view thereof;
 FIG. 5 is a right side view thereof;
 FIG. 6 is a left side view thereof;
 FIG. 7 is a top view thereof;
 FIG. 8 is a bottom view thereof;
 FIG. 9 is a front perspective view thereof showing the trailer with the doors shown in the open position;
 FIG. 10 is a front perspective view thereof showing the trailer with the doors shown in the open position;
 FIG. 11 a rear perspective view thereof showing the trailer with the doors shown in the open position; and,
 FIG. 12 is a rear perspective view thereof showing the trailer with the doors shown in the open position.

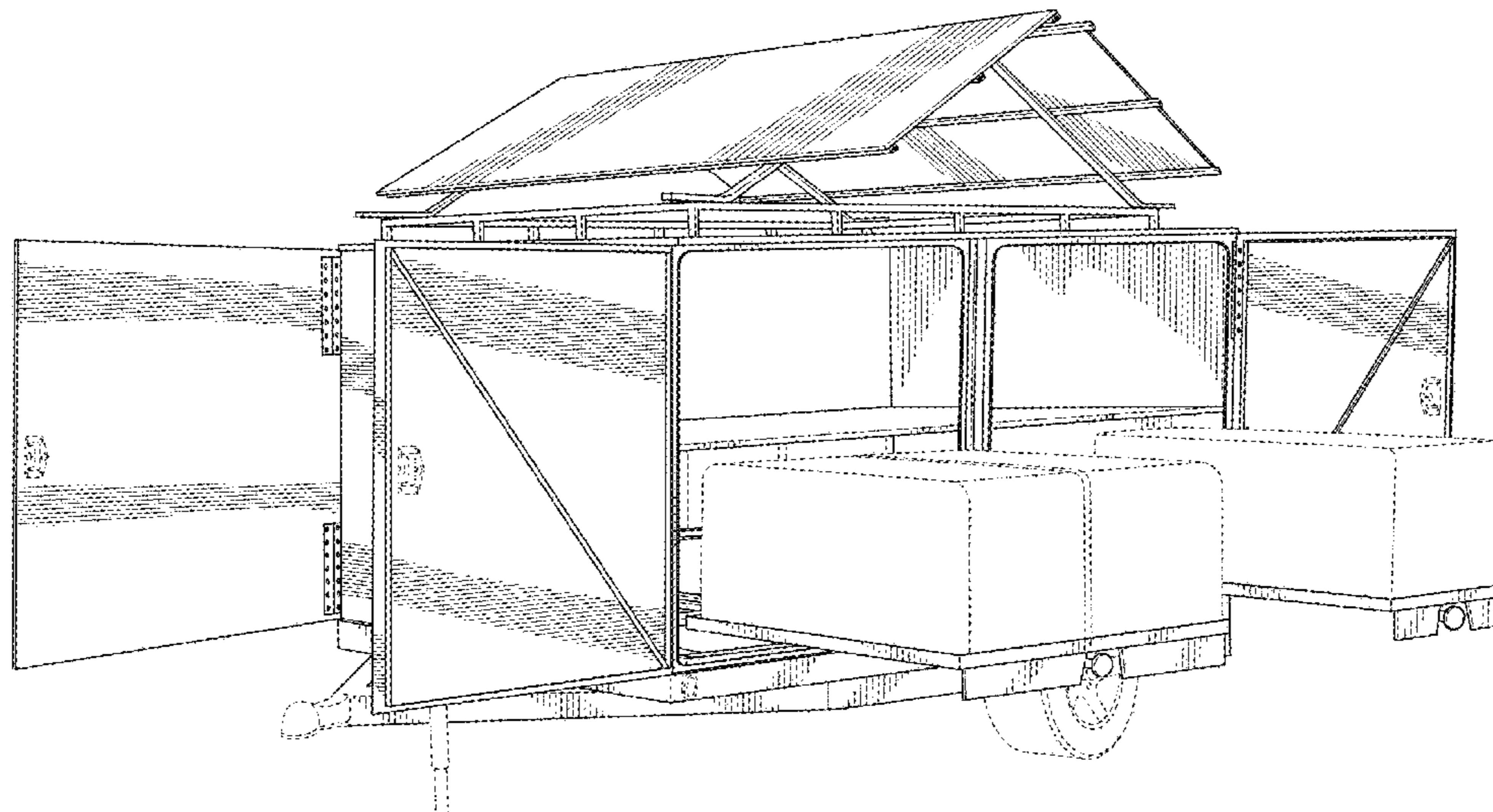
The features shown in broken lines in the various Figures represent unclaimed subject matter and form no part of the claimed design.

1 Claim, 11 Drawing Sheets

(56) **References Cited**

U.S. PATENT DOCUMENTS

- D603,299 S * 11/2009 Prusmack D12/102
- D659,595 S * 5/2012 Eliason D12/102
- D661,229 S * 6/2012 O'Neill D12/102
- D664,072 S * 7/2012 Halloran D12/102
- D737,725 S * 9/2015 Bell D12/102
- D759,547 S * 6/2016 Van Wyk D12/102



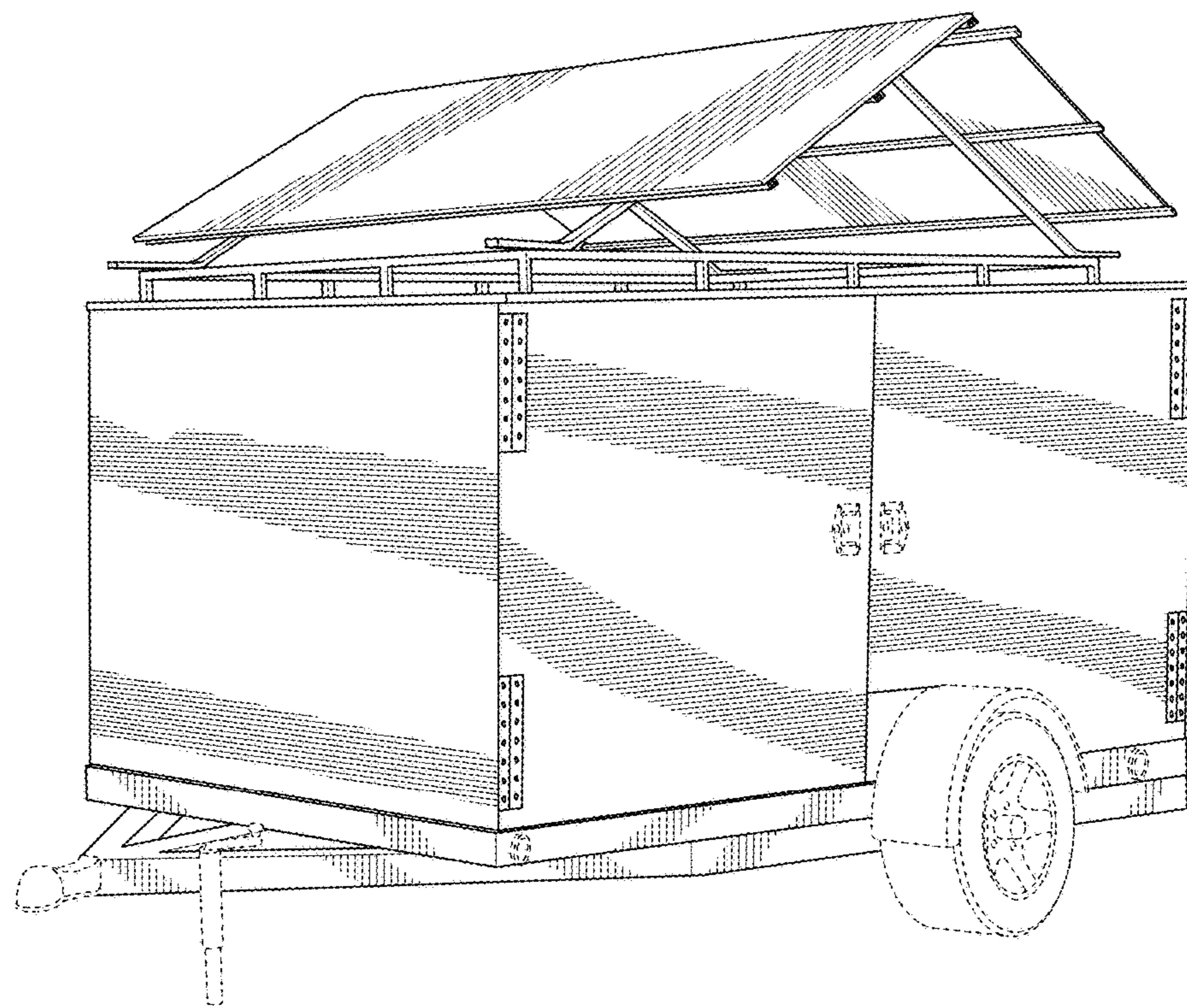


FIG. 1

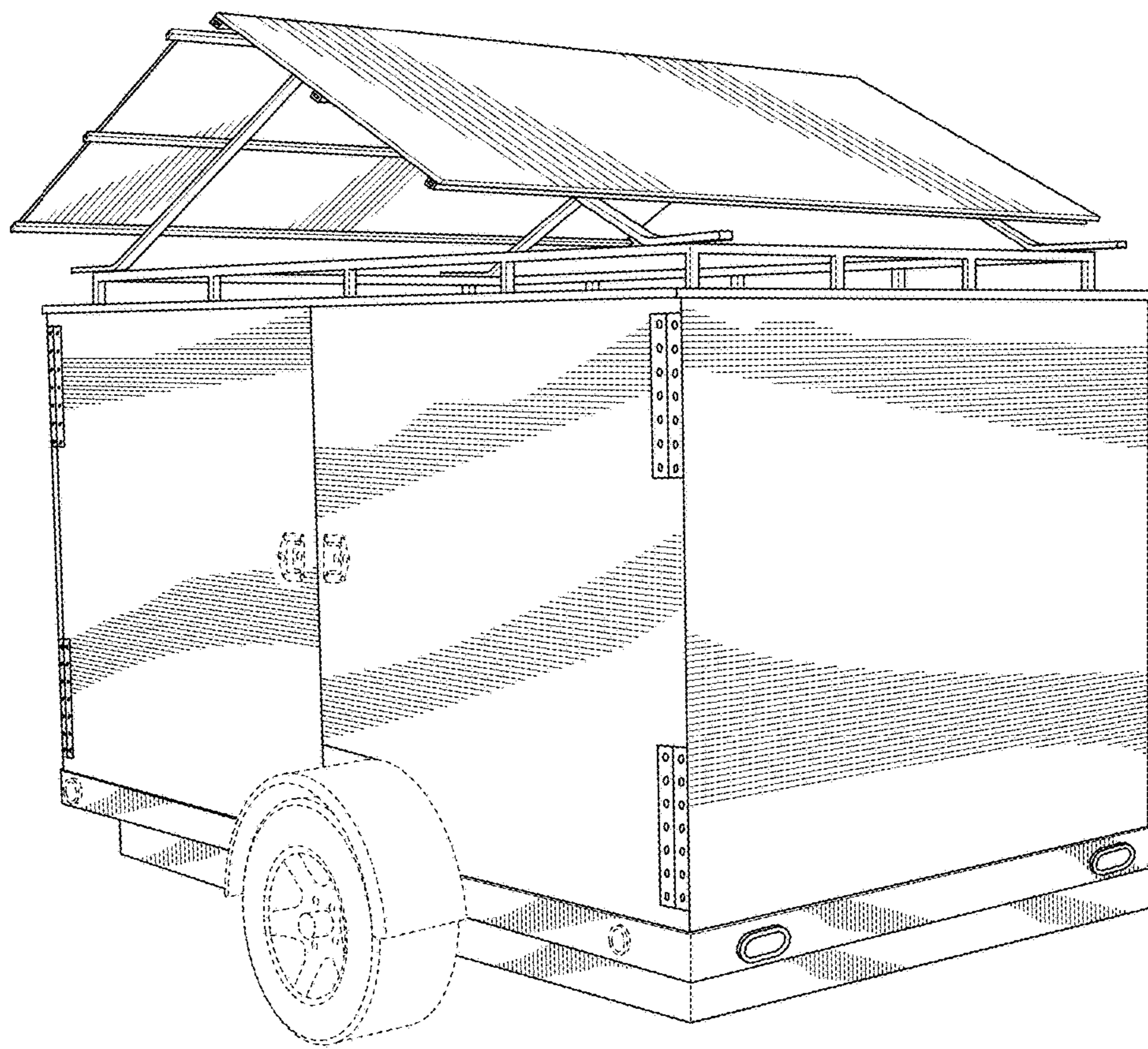


FIG. 2

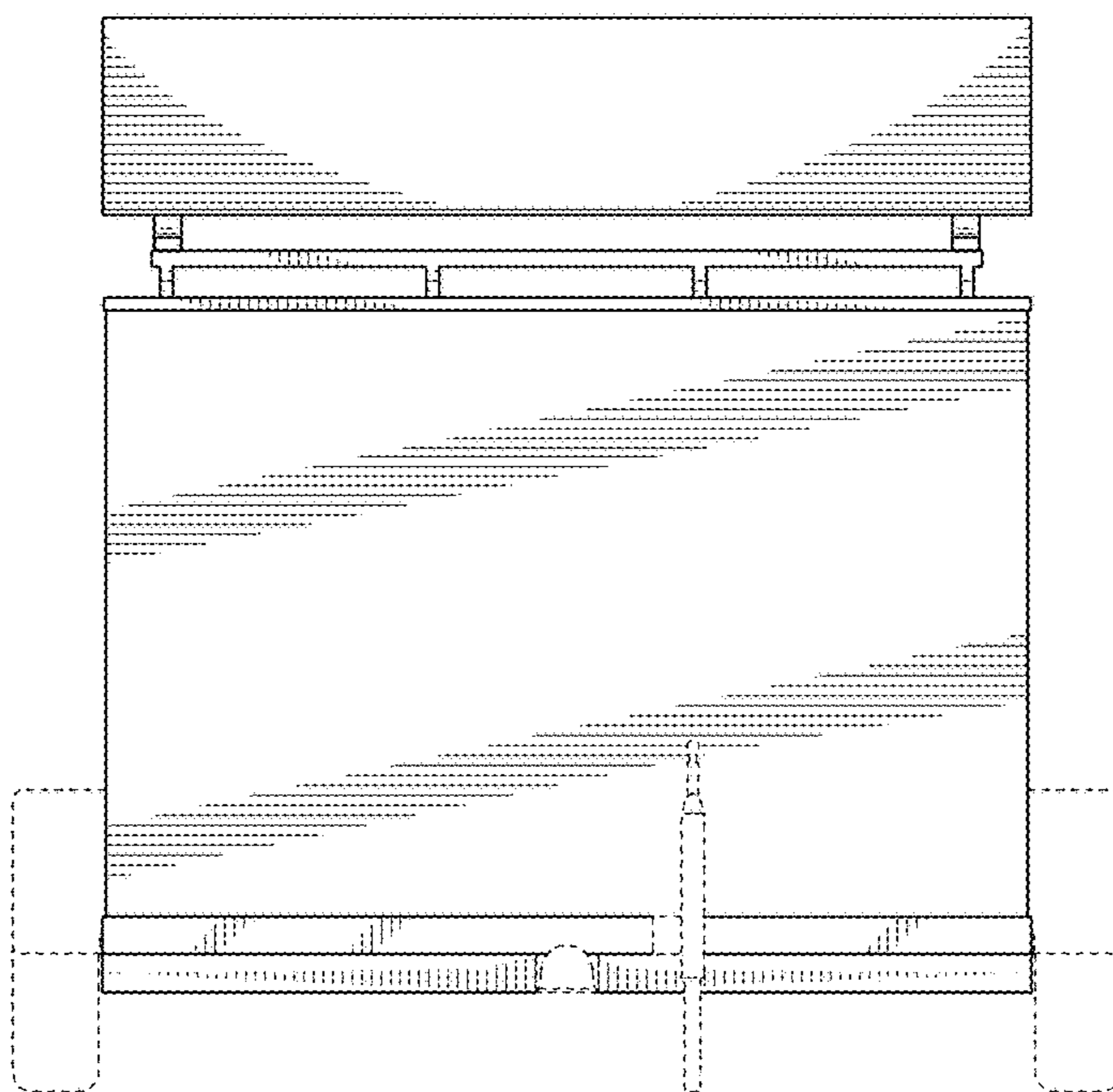


FIG. 3

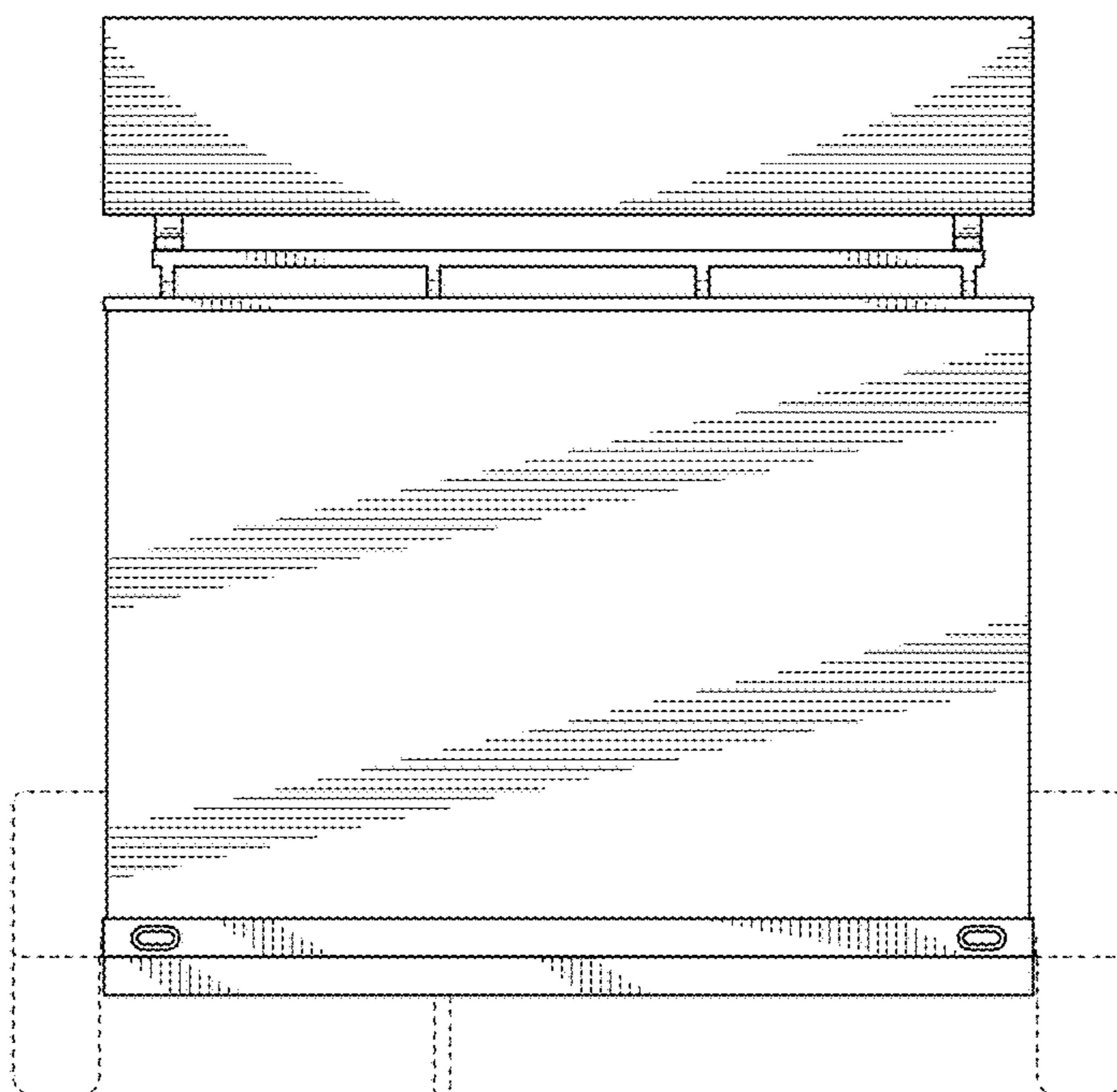


FIG. 4

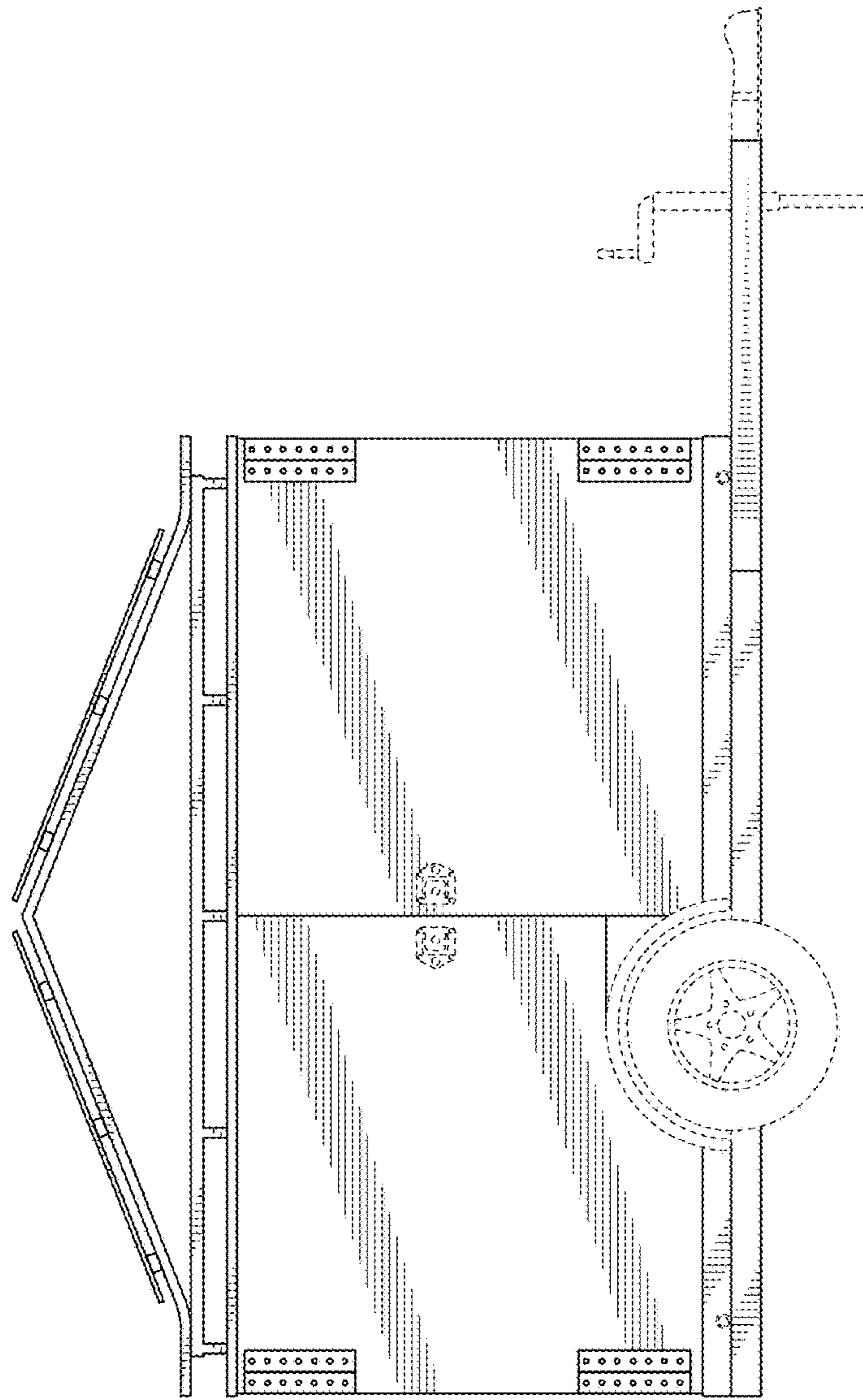


FIG. 5

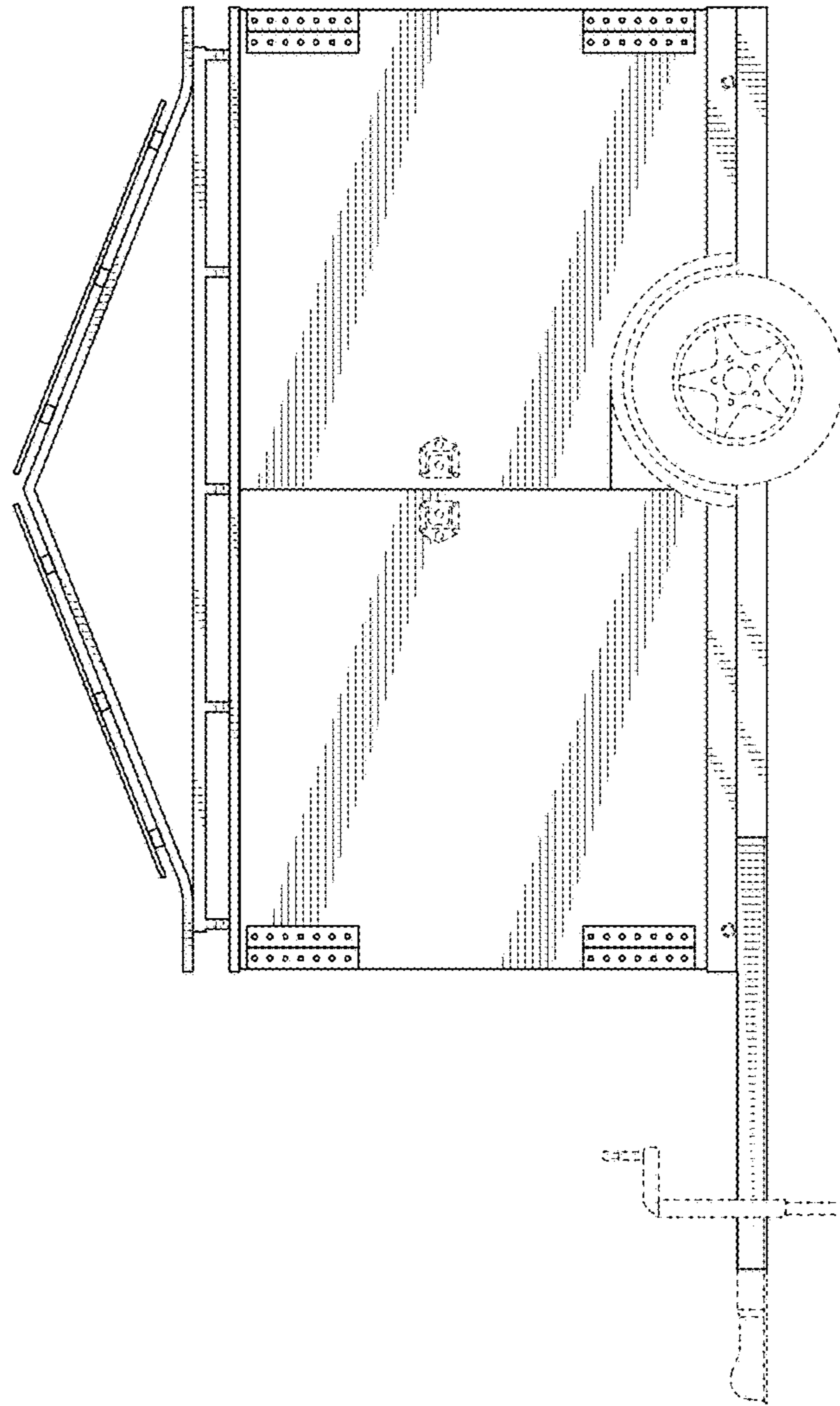


FIG. 6

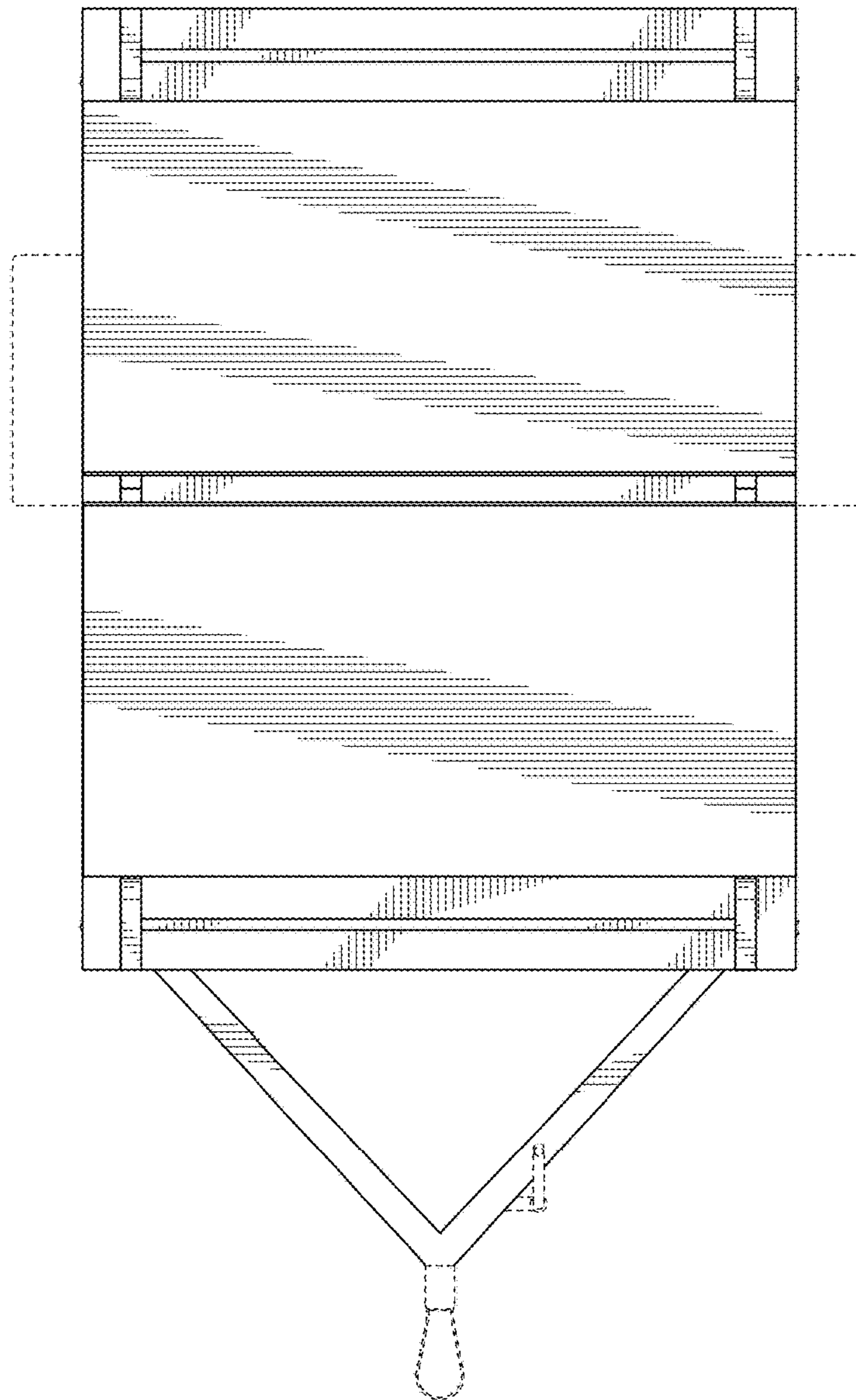


FIG. 7

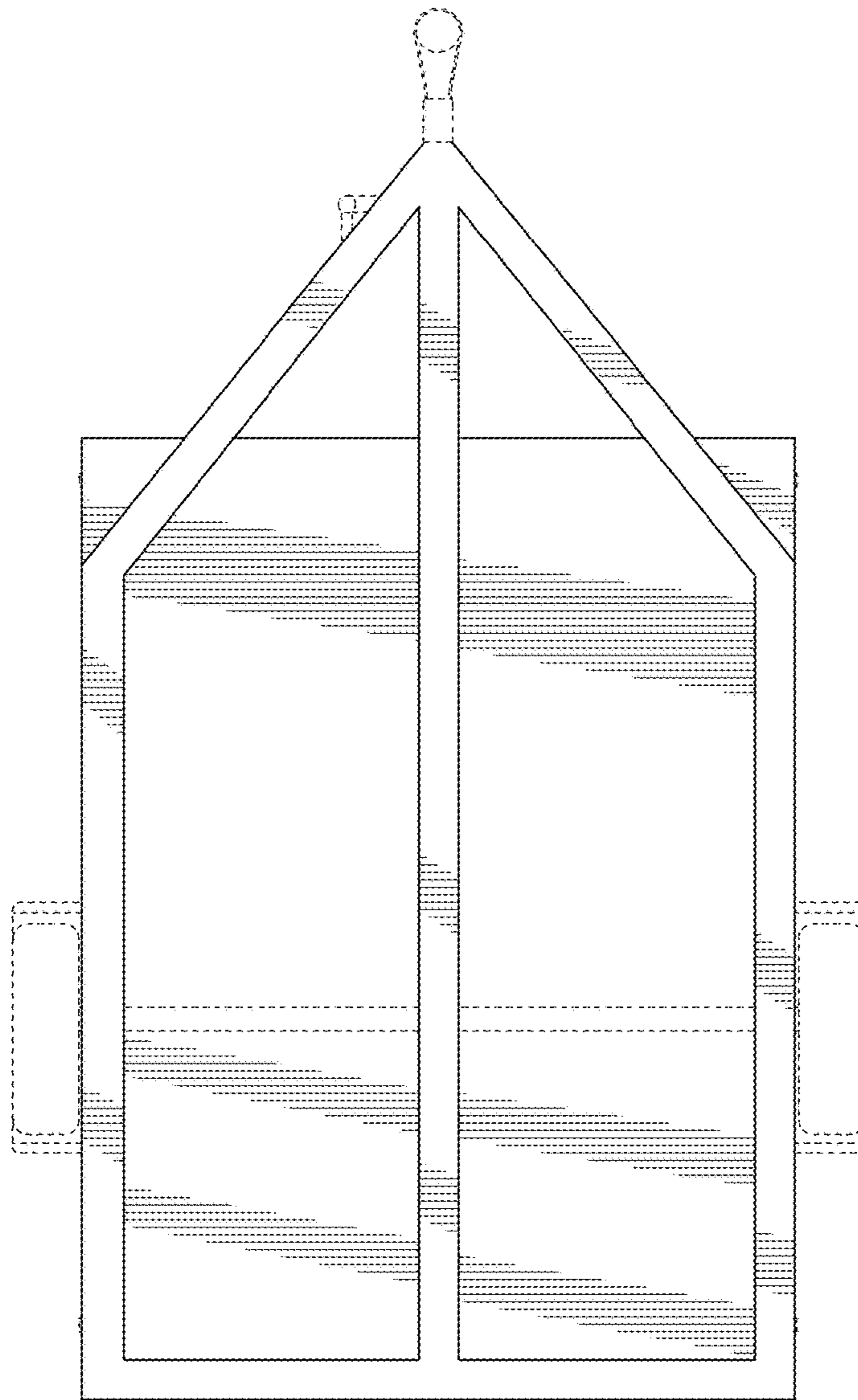


FIG. 8

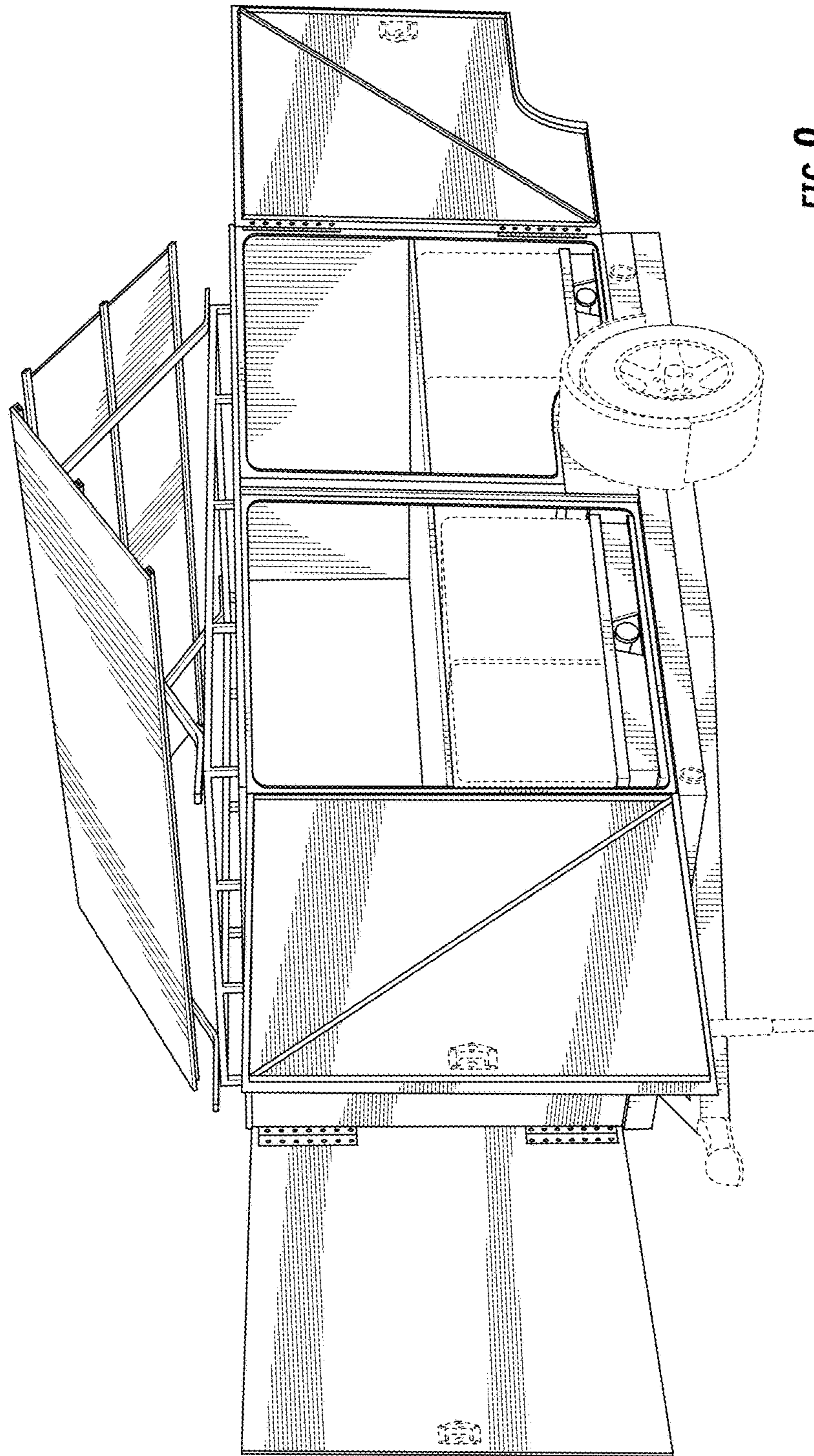


FIG. 9

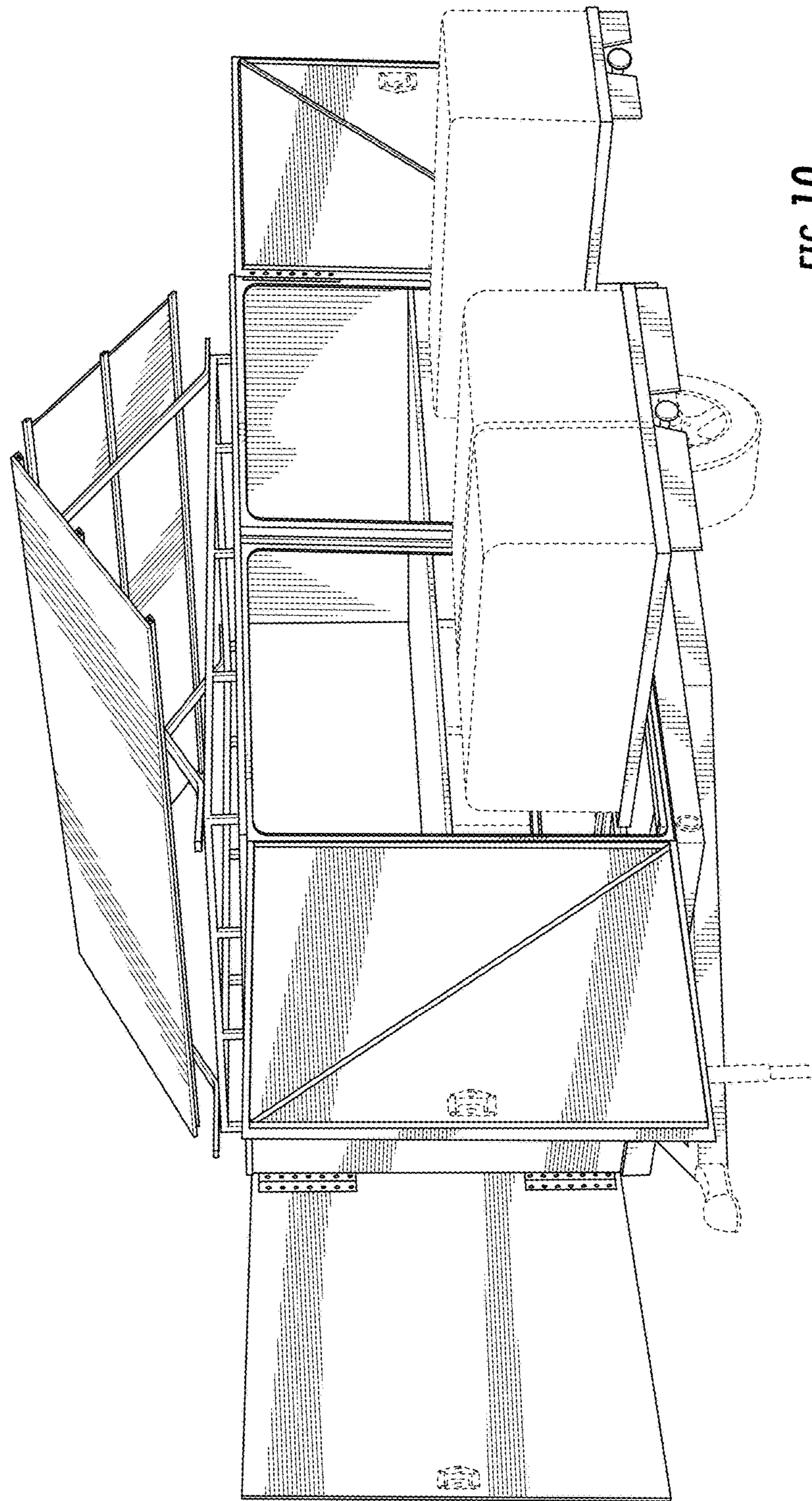


FIG. 10

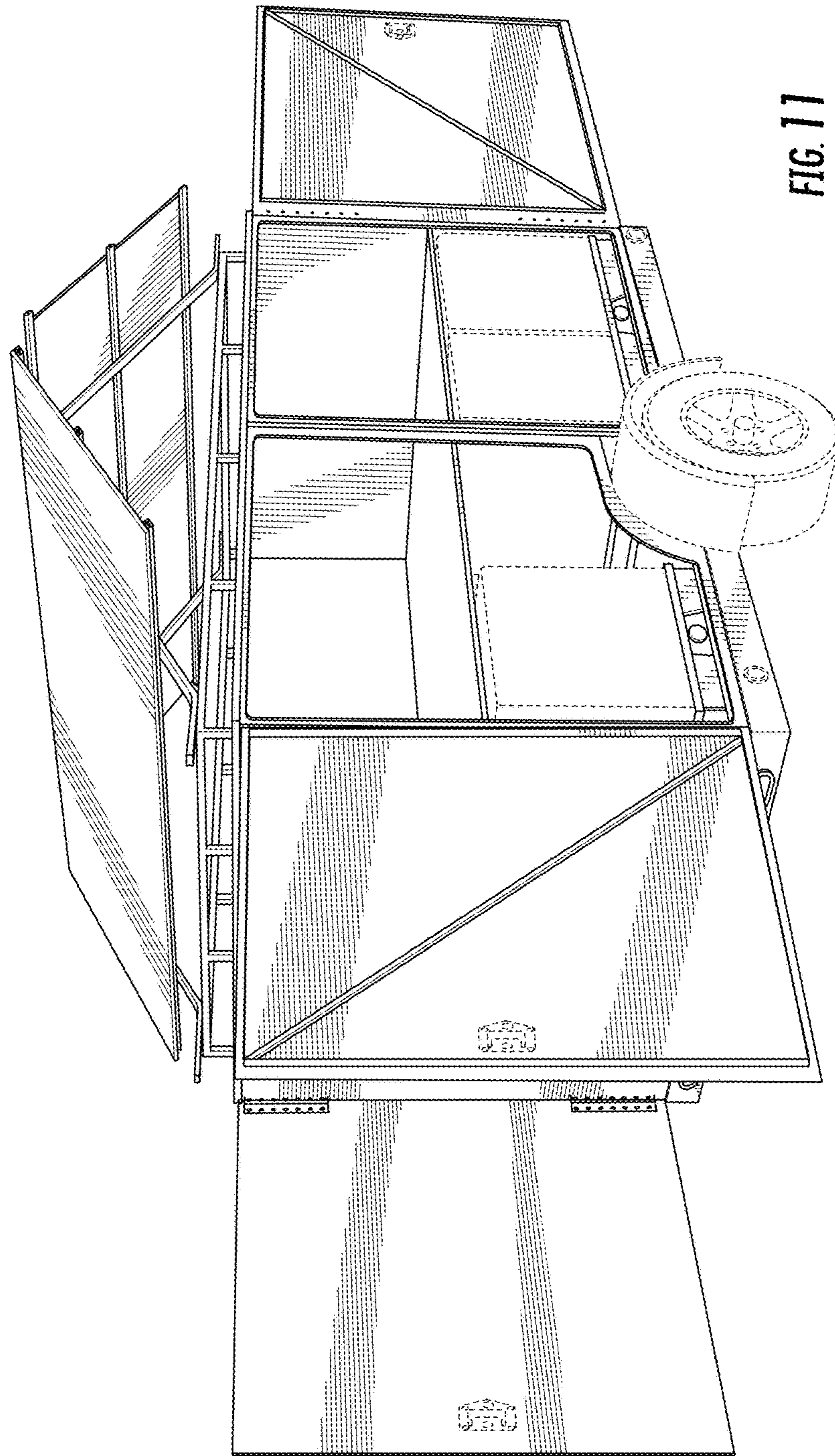


FIG. 11

