



US00D866400S

(12) **United States Design Patent** (10) **Patent No.:** **US D866,400 S**  
**Willis** (45) **Date of Patent:** **\*\* Nov. 12, 2019**

(54) **PICKUP TRUCK**  
(71) Applicant: **Frank Willis**, Houston, TX (US)  
(72) Inventor: **Frank Willis**, Houston, TX (US)  
(\*\*) Term: **14 Years**  
(21) Appl. No.: **29/492,105**  
(22) Filed: **May 28, 2014**

(51) **LOC (12) Cl.** ..... **12-08**  
(52) **U.S. Cl.**  
USPC ..... **D12/98**  
(58) **Field of Classification Search**  
USPC .... D12/98, 93, 86, 82, 88, 90-92; D21/424,  
D21/433, 434; 296/181.1, 181.5, 181.3,  
296/183.1  
CPC ... B60R 2021/0083; B60R 9/06; B60R 9/065;  
B60R 5/04; B60R 5/041; B62D 35/00;  
B62D 35/001  
See application file for complete search history.

D570,743 S \* 6/2008 Takagi ..... D12/98  
D600,595 S \* 9/2009 Nakamura ..... D12/98  
D601,925 S \* 10/2009 O'Donnell ..... D12/98  
D604,203 S \* 11/2009 O'Donnell ..... D12/98  
D659,052 S \* 5/2012 Ware ..... D12/98  
D659,053 S \* 5/2012 Ware ..... D12/98  
D700,871 S \* 3/2014 O'Donnell ..... D12/98  
D725,001 S \* 3/2015 McMahan ..... D12/98  
D735,082 S \* 7/2015 Sperling ..... D12/98  
D739,306 S \* 9/2015 McMahan ..... D12/98  
D740,181 S \* 10/2015 Agnew ..... D12/98

\* cited by examiner

*Primary Examiner* — Michelle E. Wilson  
*Assistant Examiner* — Clese Moore, Jr.  
(74) *Attorney, Agent, or Firm* — Delphine James

(57) **CLAIM**

I claim a the ornamental design for a pickup truck, as shown and described.

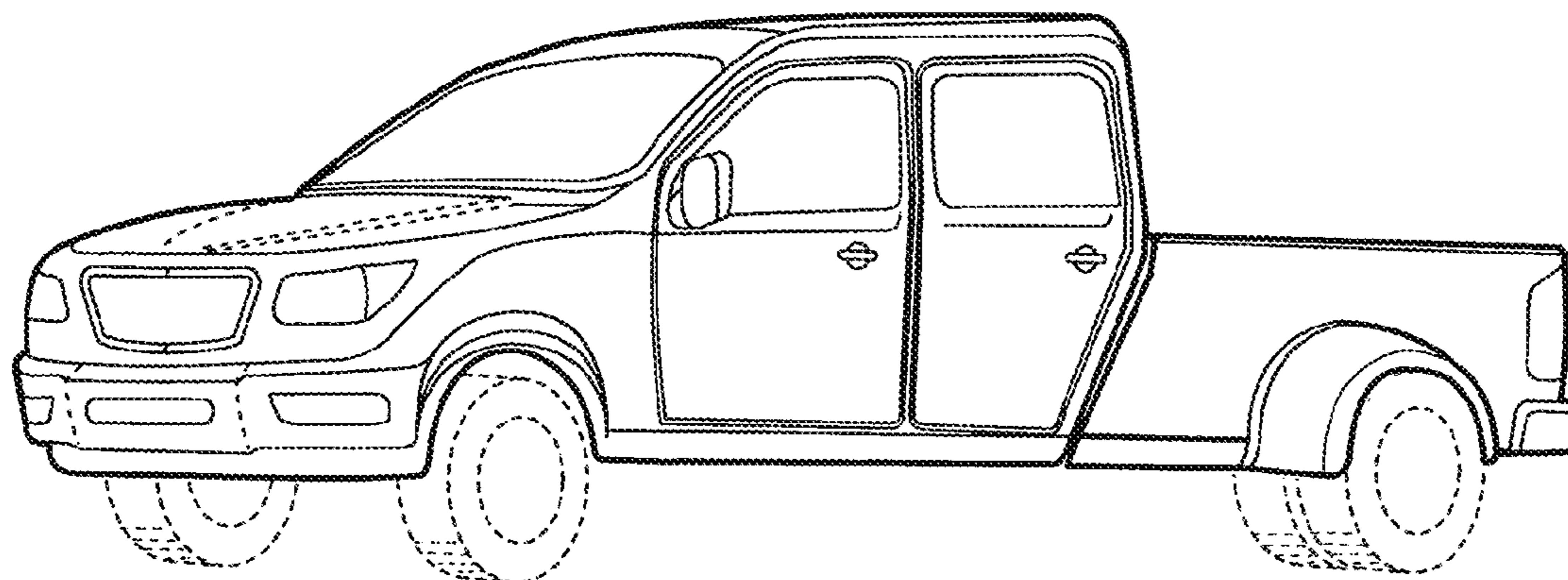
**DESCRIPTION**

FIG. 1 is a side view of the present invention.  
FIG. 2 is a top view of the present invention.  
FIG. 3 is a front view of the present invention; and,  
FIG. 4 is a back view of the present invention.  
The broken lines shown illustrate portions of the pickup truck that form no part of the claimed design.

**1 Claim, 4 Drawing Sheets**

(56) **References Cited**  
U.S. PATENT DOCUMENTS

D479,158 S \* 9/2003 Hayashi ..... D12/98  
D495,626 S \* 9/2004 Depeyster ..... D12/98  
D500,461 S \* 1/2005 Noguchi ..... D12/98  
D508,440 S \* 8/2005 Hall ..... D12/98  
D515,462 S \* 2/2006 Metros ..... D12/98  
D517,449 S \* 3/2006 Depeyster ..... D12/98  
D564,946 S \* 3/2008 Krugger ..... D12/98



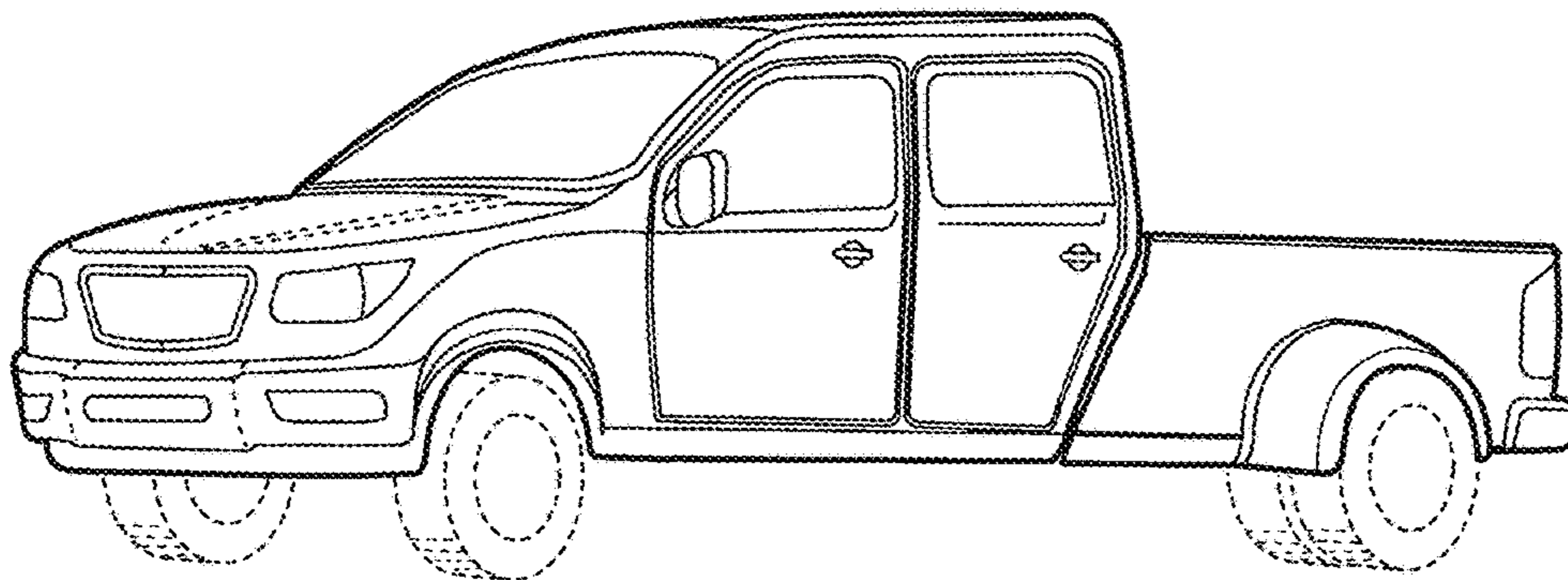


fig. 1

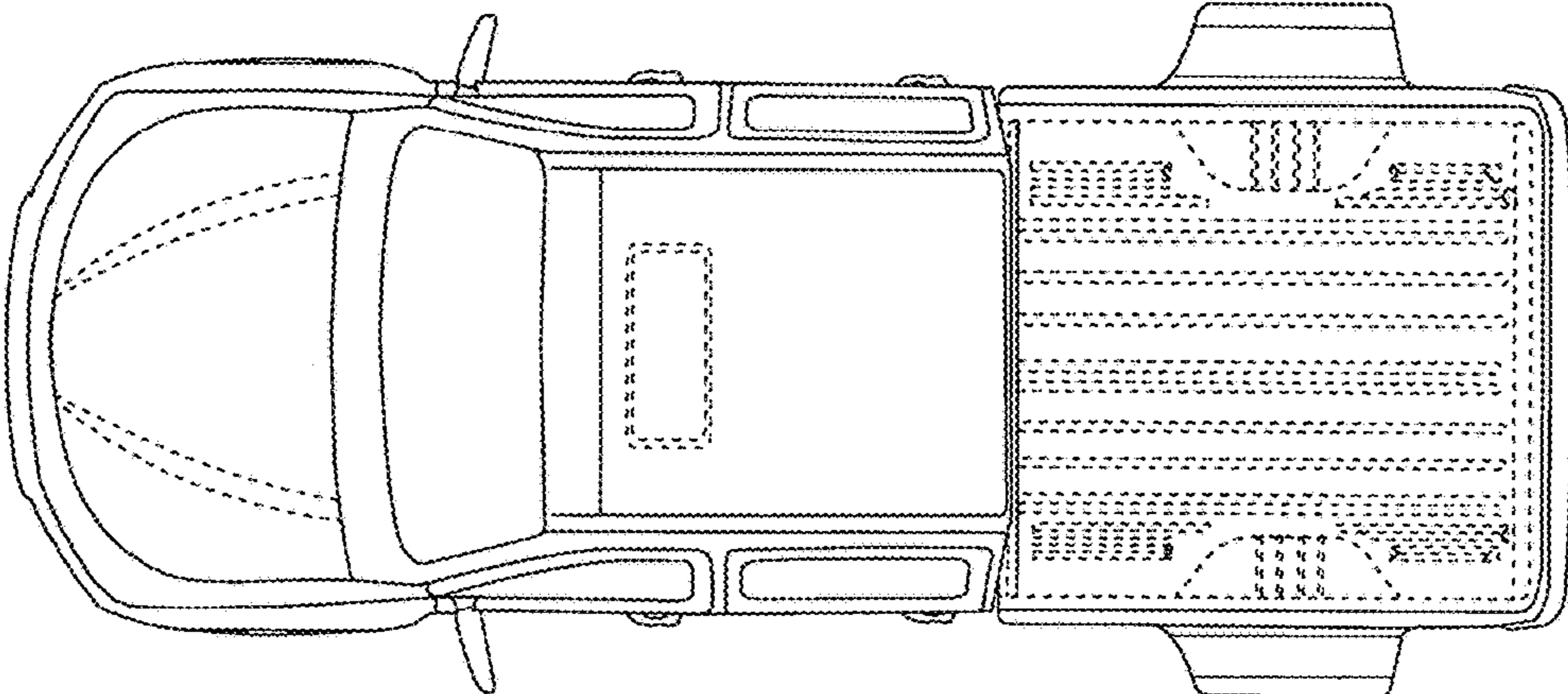


fig. 2

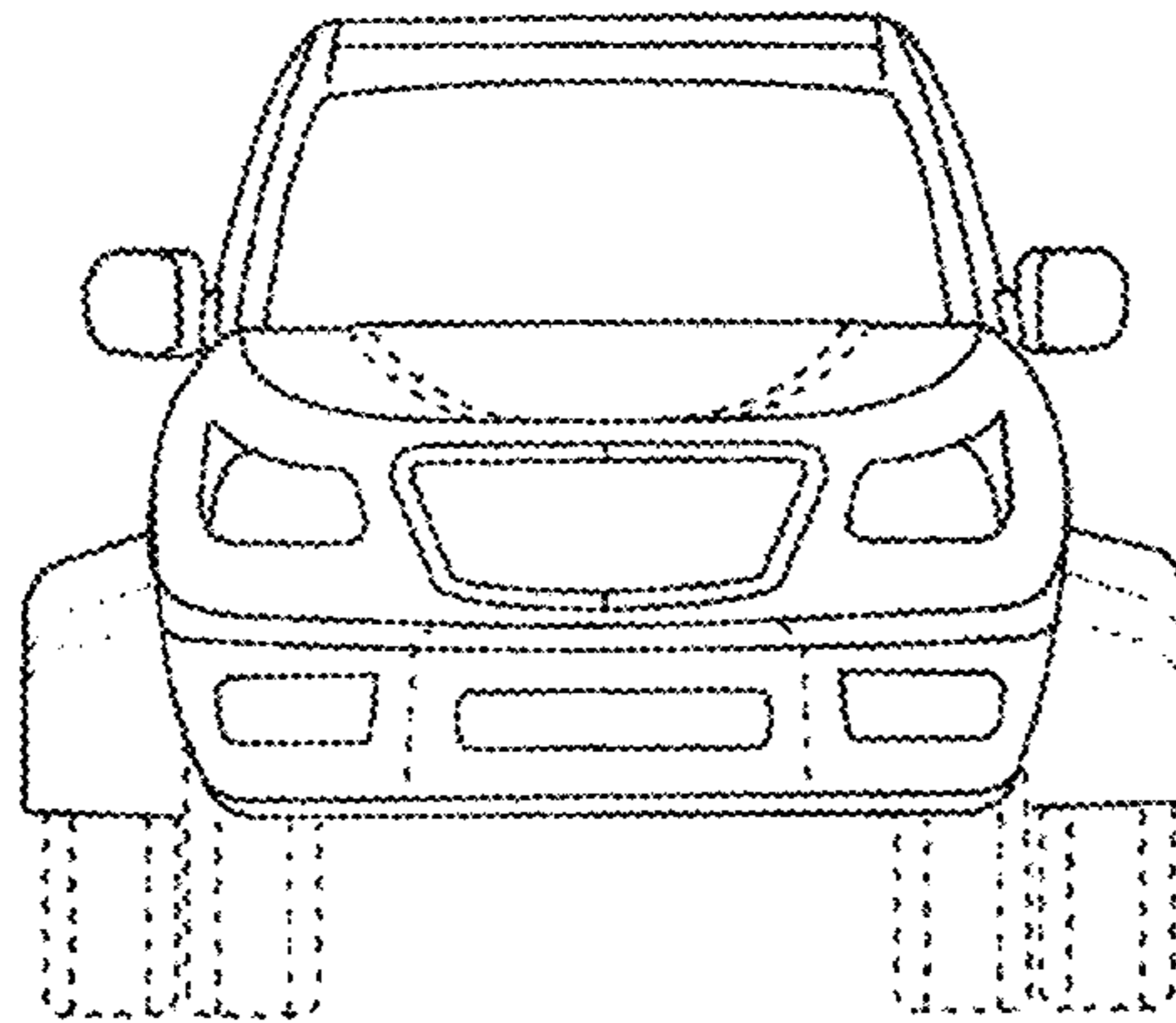


fig. 3

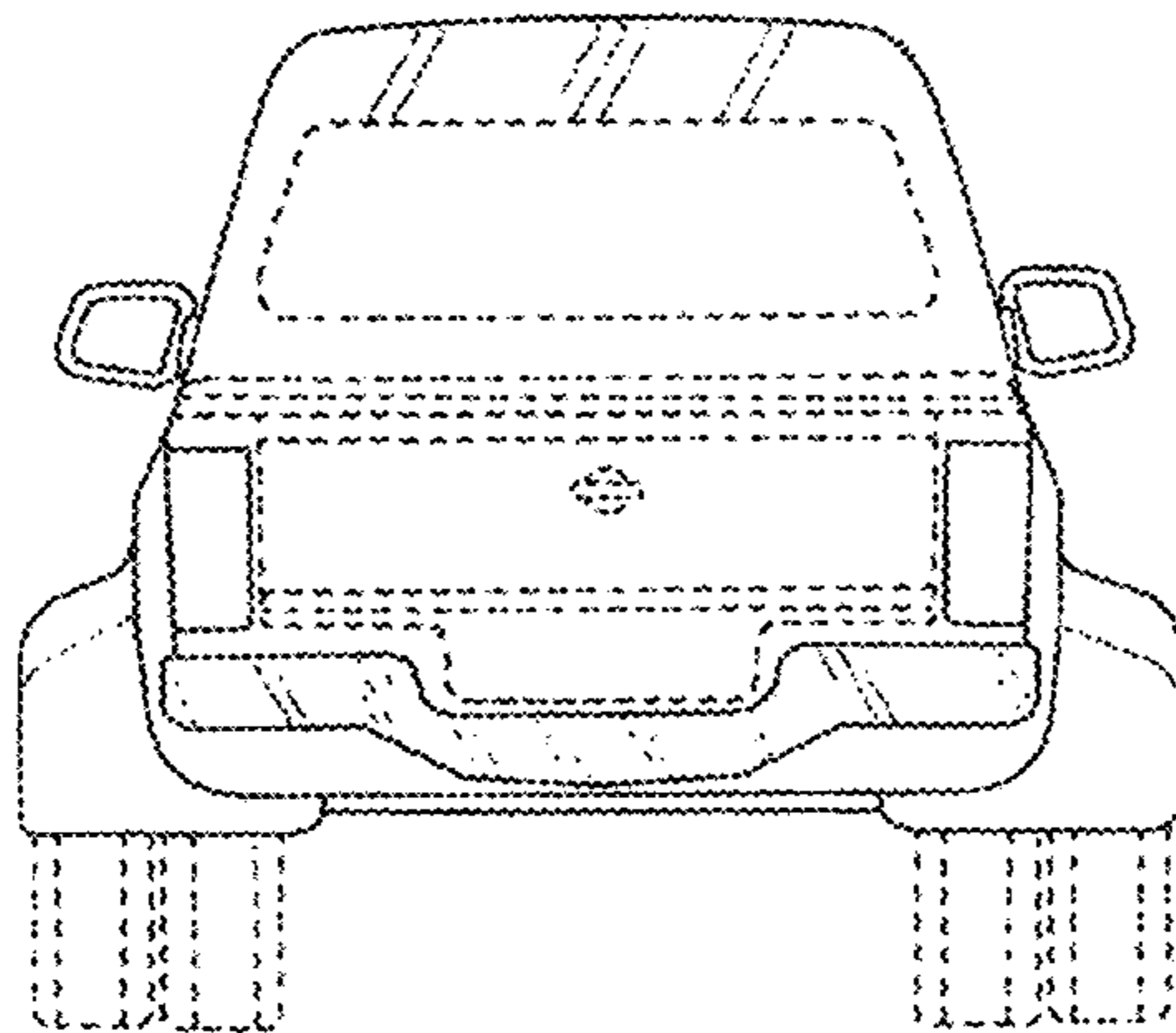


FIG. 4