



US00D866397S

(12) **United States Design Patent**
Carr et al.

(10) **Patent No.:** **US D866,397 S**
(45) **Date of Patent:** **** Nov. 12, 2019**

(54) **AUTOMOBILE**

(71) Applicant: **LOTUS CARS LIMITED**, Norwich,
Norfolk (GB)

(72) Inventors: **Russell Carr**, Norwich (GB); **Anthony
Bushell**, Norwich (GB)

(**) Term: **15 Years**

(21) Appl. No.: **29/607,256**

(22) Filed: **Jun. 12, 2017**

(30) **Foreign Application Priority Data**

Dec. 12, 2016 (EM) 003513100

(51) **LOC (12) Cl.** **12-08**

(52) **U.S. Cl.**
USPC **D12/88**

(58) **Field of Classification Search**
USPC D12/86, 90-92, 88; D21/421, 433, 434;
296/181.1, 181.5
CPC B62D 35/00; B62D 25/00; B62D 25/06;
B62D 33/00
See application file for complete search history.

(56) **References Cited**

U.S. PATENT DOCUMENTS

D731,922 S * 6/2015 Beaven D12/91
D732,428 S * 6/2015 Nanba D12/91

D823,731 S * 7/2018 Kim D12/92
D826,093 S * 8/2018 Manzoni D12/92
D827,494 S * 9/2018 Manzoni D12/88
D833,330 S * 11/2018 Sakai D12/91

* cited by examiner

Primary Examiner — Melody N Brown

(74) *Attorney, Agent, or Firm* — Fulwider Patton LLP

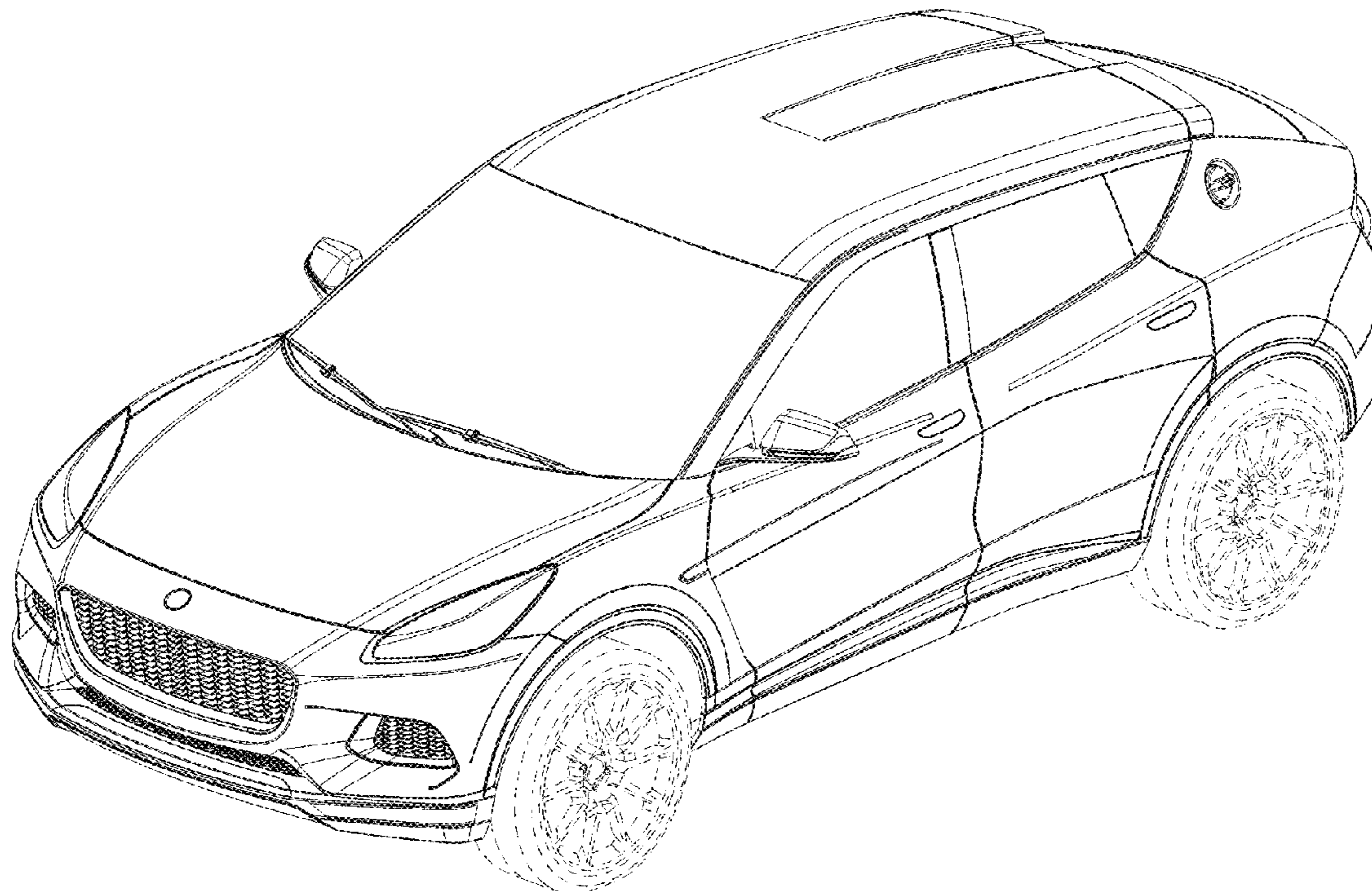
(57) **CLAIM**

The ornamental design for an automobile, as shown and described.

DESCRIPTION

FIG. 1 is a front perspective view of an automobile showing our new design;
FIG. 2 is a front elevational view thereof;
FIG. 3 is a right side elevational view thereof, the left side being a mirror image;
FIG. 4 is a rear perspective view thereof; and,
FIG. 5 is a rear elevational view thereof.
The portions of the vehicle and wheels shown in broken lines are for illustrative and environmental purposes and form no part of the claimed design.

1 Claim, 5 Drawing Sheets



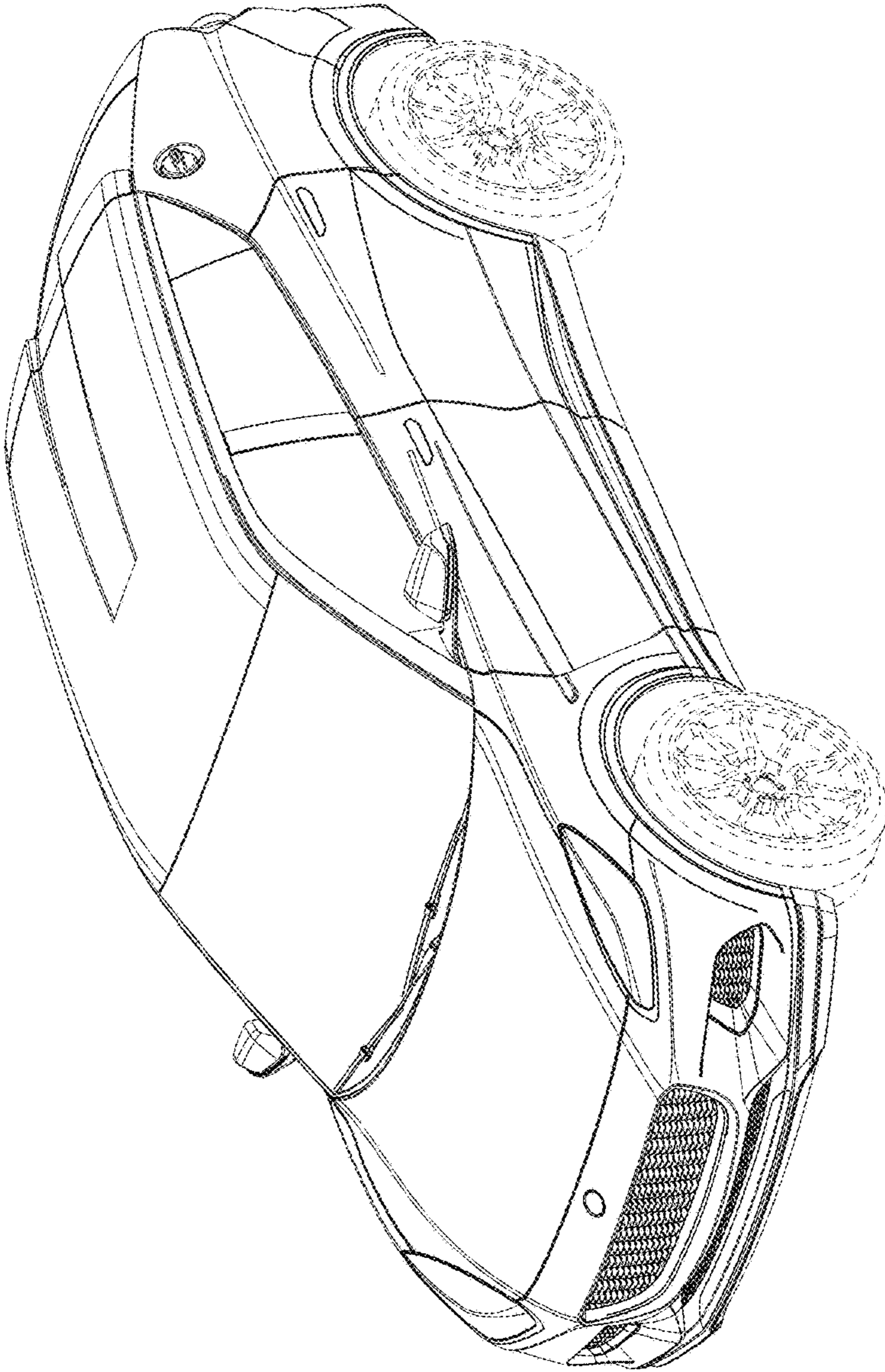


FIG. 1

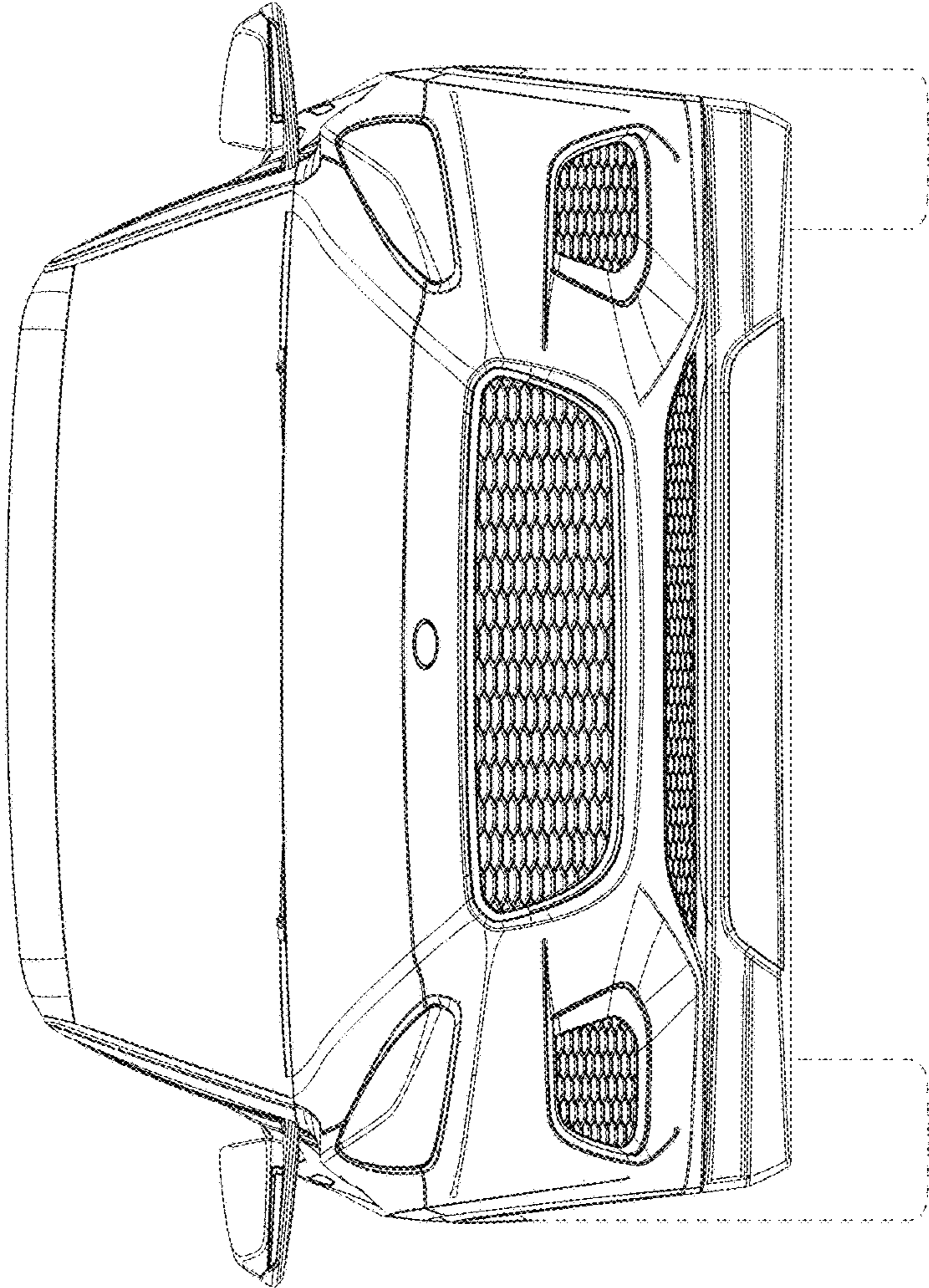


FIG. 2

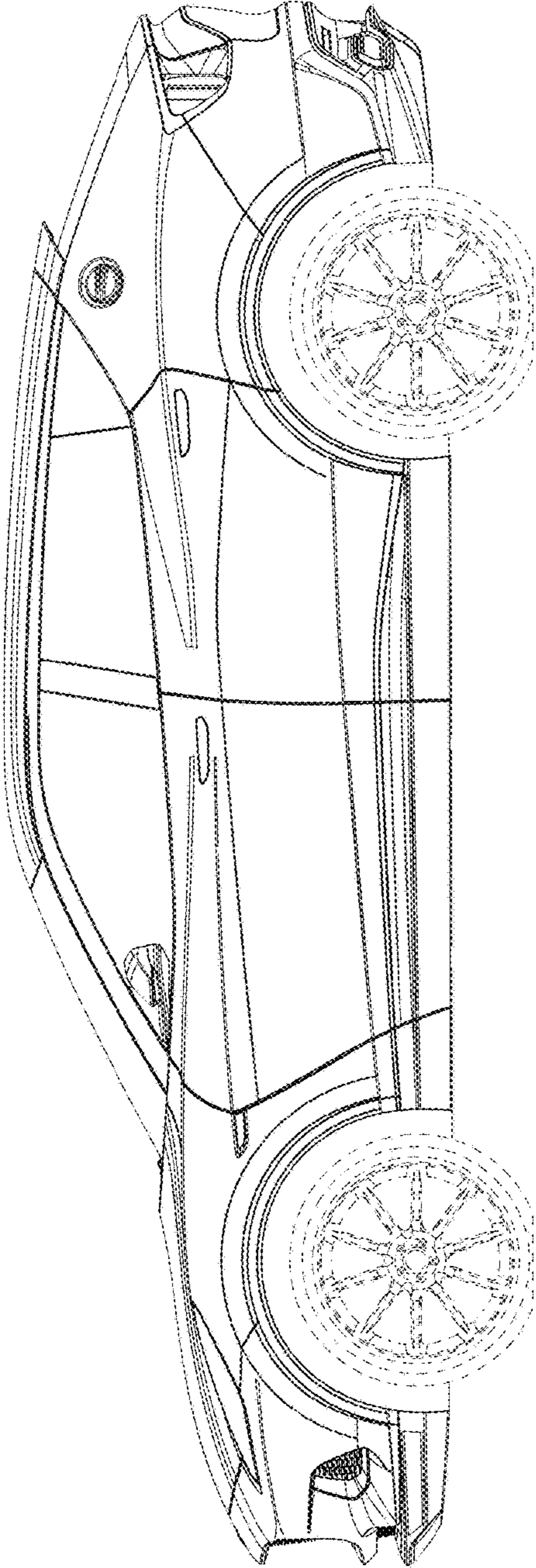


FIG. 3

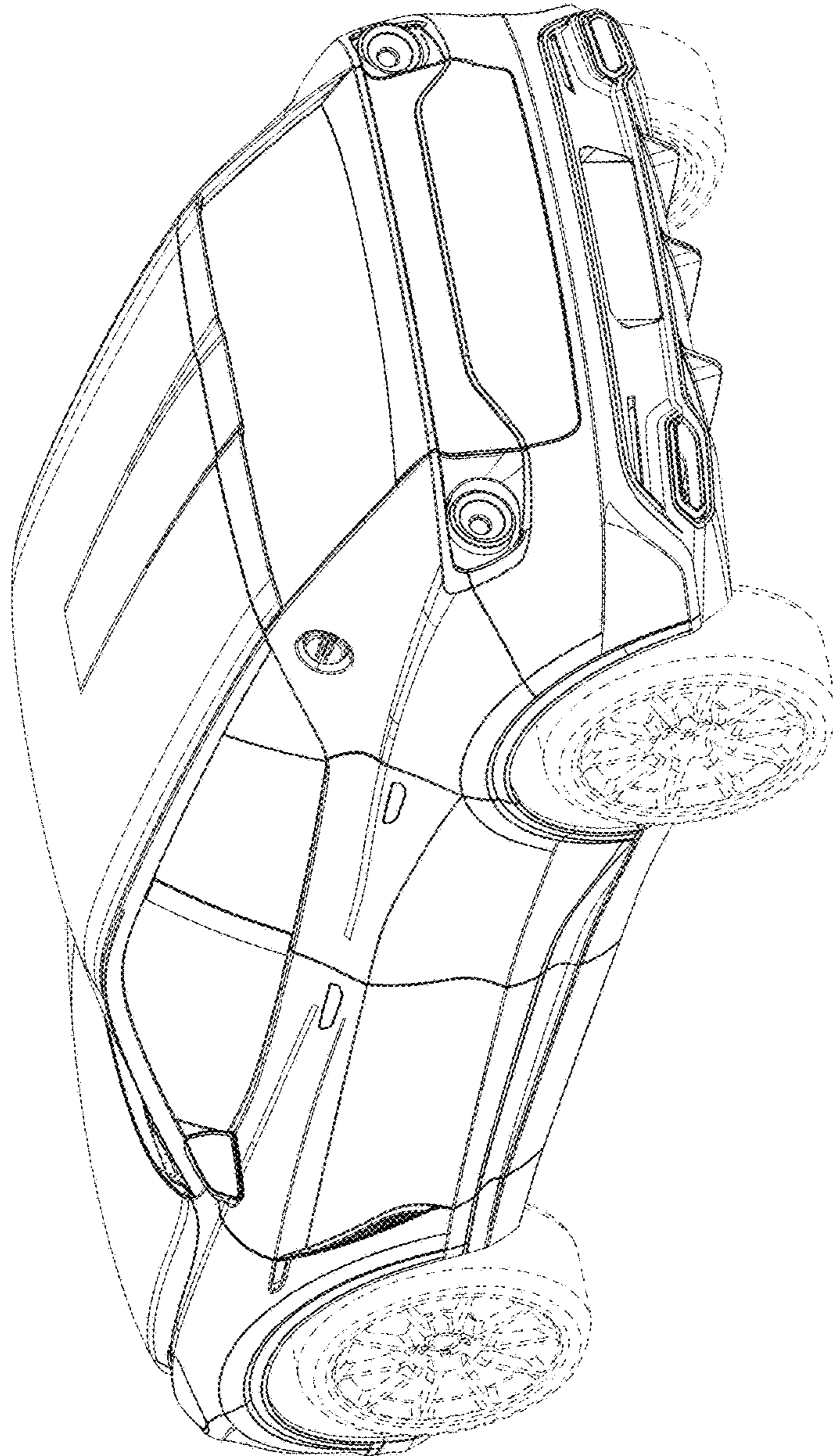


FIG. 4

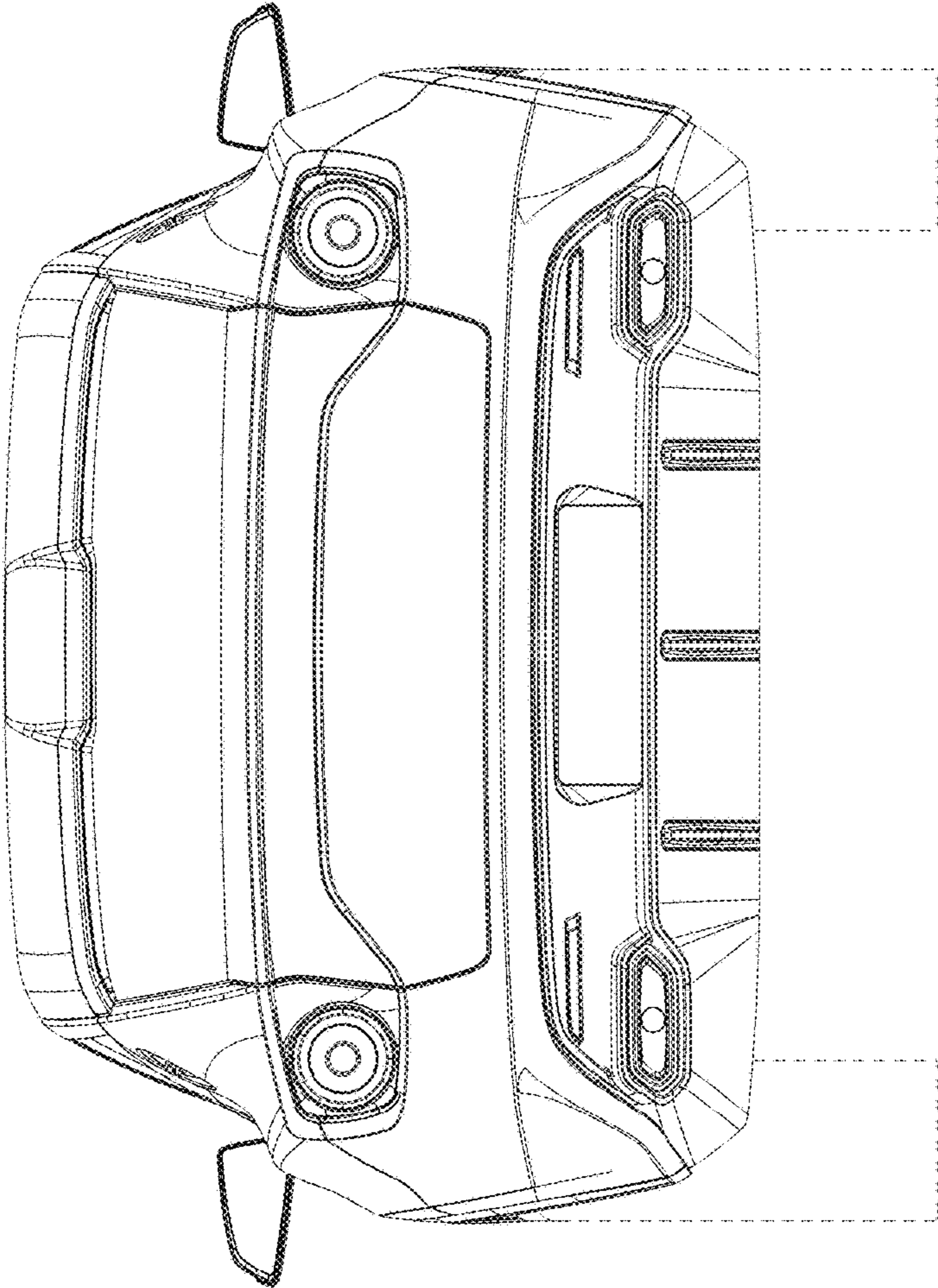


FIG. 5