



US00D866395S

(12) **United States Design Patent** (10) **Patent No.:** **US D866,395 S**
O'Brien et al. (45) **Date of Patent:** **** Nov. 12, 2019**

(54) **DRONE**
(71) Applicant: **SPIN MASTER LTD.**, Toronto (CA)
(72) Inventors: **Robert M. O'Brien**, Ajax (CA); **Lee Gamble**, Etobicoke (CA); **Hamid R. Hashemi**, Mississauga (CA); **Eric Stafford**, Toronto (CA); **Alex Pirseyedi**, Toronto (CA)

5,115,998 A * 5/1992 Olive B64G 9/00
244/126
D505,105 S * 5/2005 Rivellini D12/320
7,273,195 B1 * 9/2007 Gollhofer A63H 27/12
244/17.11
D563,609 S * 3/2008 Gick D30/160
D697,145 S * 1/2014 Wong D21/436
8,794,566 B2 * 8/2014 Hutson B64C 39/024
244/17.17
D734,400 S * 7/2015 Rehkemper D12/323
(Continued)

(73) Assignee: **SPIN MASTER LTD.**, Toronto (CA)
(**) Term: **15 Years**

FOREIGN PATENT DOCUMENTS

(21) Appl. No.: **29/637,370**

CN 304710436 * 7/2018
EM 004750883-0002 * 4/2018

(22) Filed: **Feb. 16, 2018**

OTHER PUBLICATIONS

(51) **LOC (12) Cl.** **12-07**

Air Hogs-SuperNova. screenshot of top and bottom of site. dated 2017. found online [Nov. 13, 2018] <http://www.airhogs.com/en-us>.*

(52) **U.S. Cl.**
USPC **D12/16.1**

(Continued)

(58) **Field of Classification Search**
USPC D12/16.1, 319-345, 1; D21/436, 438,
D21/441, 442, 443, 444, 447, 448, 449,
D21/450, 451, 452, 454; D30/160
CPC ... B64C 29/00; B64C 2201/141; B64C 27/24;
B64C 27/30; B64C 39/04; B64C 39/00;
B64C 27/006; A63H 33/18; A63B 19/02;
B64G 9/00

Primary Examiner — Marissa J Cash
(74) *Attorney, Agent, or Firm* — Millman IP Inc.

See application file for complete search history.

(57) **CLAIM**

The ornamental design for a drone, as shown and described.

(56) **References Cited**

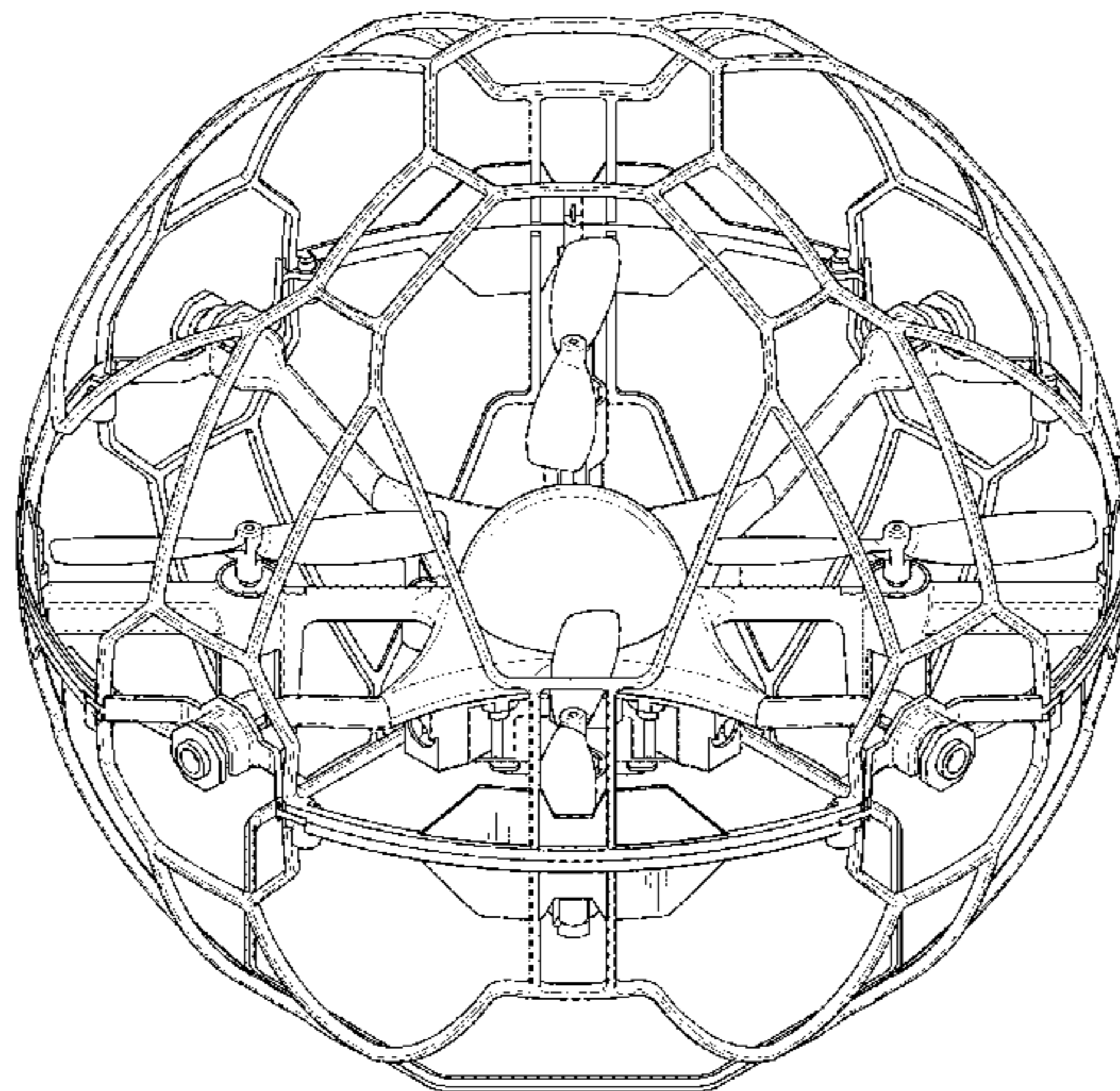
DESCRIPTION

U.S. PATENT DOCUMENTS

3,327,801 A * 6/1967 Ezra B60B 19/14
180/21
3,856,236 A * 12/1974 Doolittle B64B 1/00
244/2
4,505,346 A * 3/1985 Mueller B62D 57/04
180/21
4,579,336 A * 4/1986 Morin A63B 19/02
280/206
4,729,446 A * 3/1988 Sefton A63G 29/00
180/21

FIG. 1 is a perspective view from above, to the front and to the left side of a new design for a drone;
FIG. 2 is a perspective view from below, to the rear, and to the right side thereof;
FIG. 3 is a front elevation view thereof;
FIG. 4 is a rear elevation view thereof;
FIG. 5 is a right side elevation view thereof;
FIG. 6 is a left side elevation view thereof;
FIG. 7 is a top plan view thereof; and,
FIG. 8 is a bottom plan view thereof.

1 Claim, 8 Drawing Sheets



(56)

References Cited

U.S. PATENT DOCUMENTS

D761,920 S * 7/2016 Fargeau D12/16.1
D780,665 S * 3/2017 Blincow D12/320
9,611,045 B2 * 4/2017 Erickson B64D 25/00
D789,248 S * 6/2017 Ketcher D12/16.1
D796,414 S * 9/2017 Fenny D12/328
D798,795 S * 10/2017 Fenny D12/328
9,868,431 B1 * 1/2018 Ladislao B60V 1/14
D814,349 S * 4/2018 Ettinger D12/16.1
D817,251 S * 5/2018 Kim D12/325
D817,252 S * 5/2018 Kim D12/325
D818,873 S * 5/2018 Tian D12/16.1
10,106,277 B2 * 10/2018 Neely B64D 47/08
2010/0224723 A1 * 9/2010 Apkarian A63H 27/12
244/65
2012/0018579 A1 * 1/2012 Yan A63H 27/12
244/119
2014/0319266 A1 * 10/2014 Moschetta B64C 25/36
244/13
2016/0272317 A1 * 9/2016 Cho G08G 1/09
2016/0280359 A1 * 9/2016 Semke B64C 25/32
2018/0074517 A1 * 3/2018 Yamada B64C 39/02
2018/0170533 A1 * 6/2018 Lee B64C 27/006

OTHER PUBLICATIONS

Air Hogs review by Corvida Raven. dated Aug. 30, 2018. found online [Nov. 13, 2018] <https://shegeeks.net/air-hogs-supernova-drone-fly-with-hands/>.*

Spin Master. screenshot of top and bottom of site. dated 2017. found online [Nov. 13, 2018] <https://shop.spinmaster.com/air-hogs-supernova/product/p30328>.*

* cited by examiner

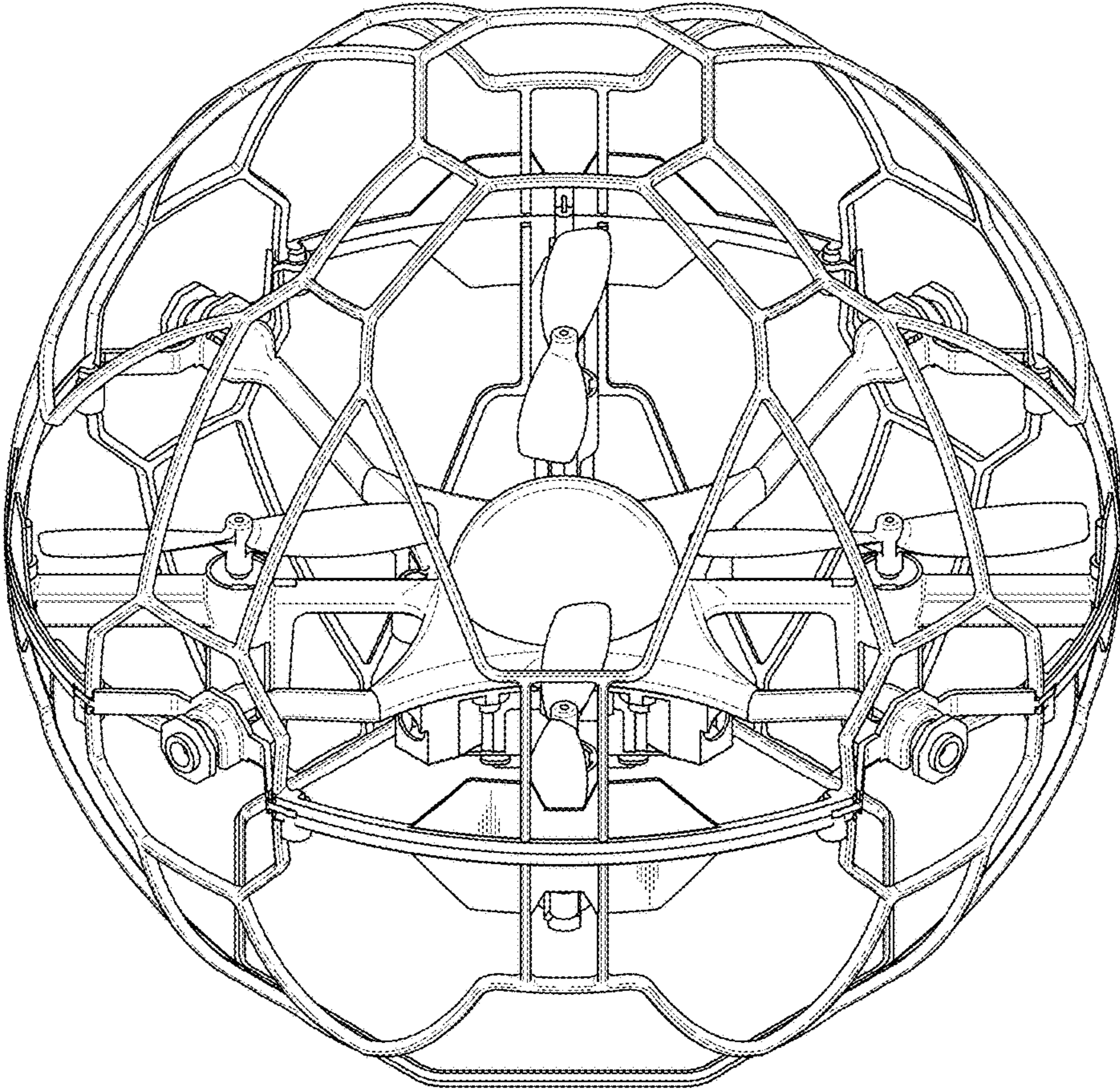


FIG. 1

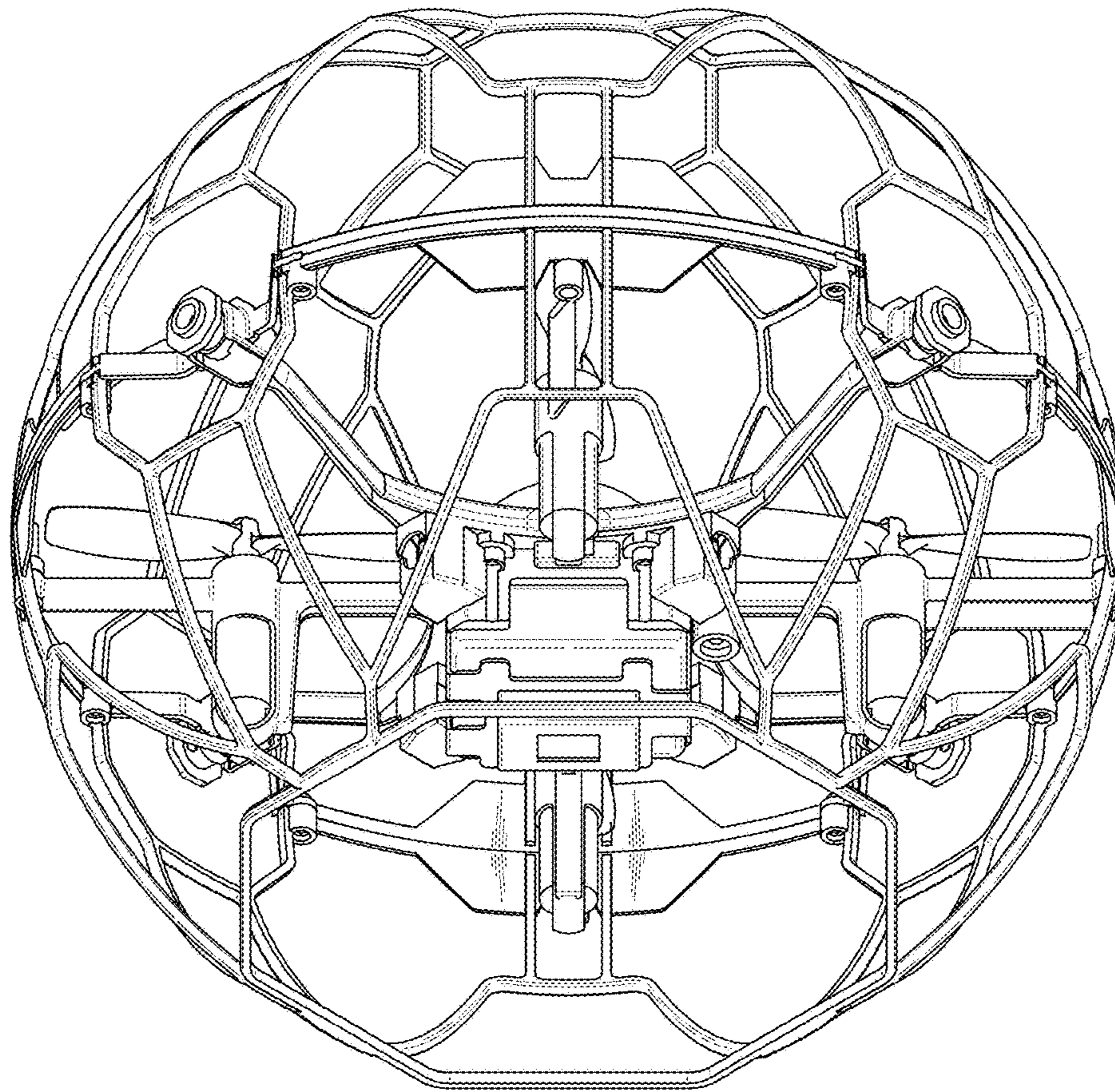


FIG. 2

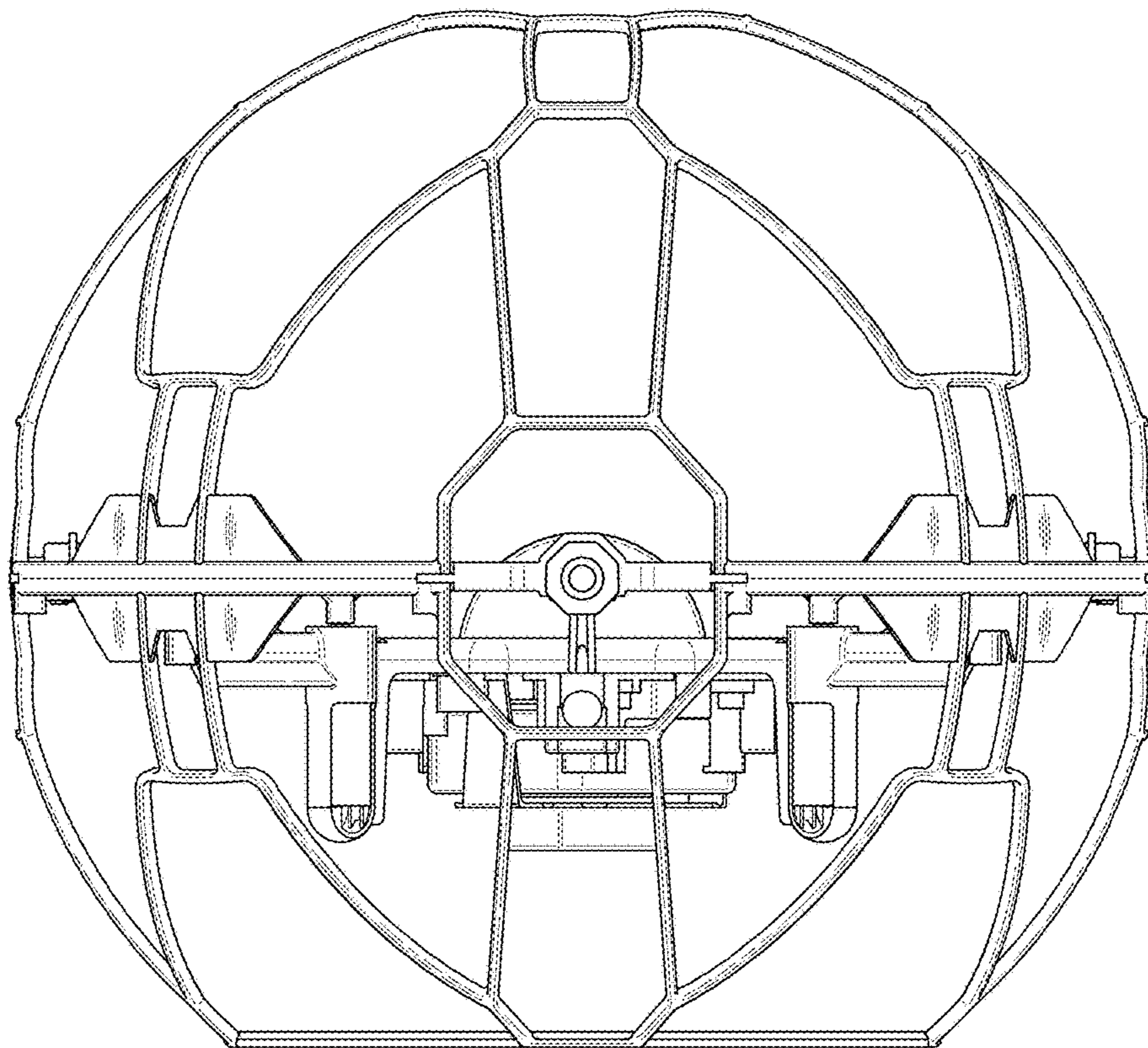


FIG. 3

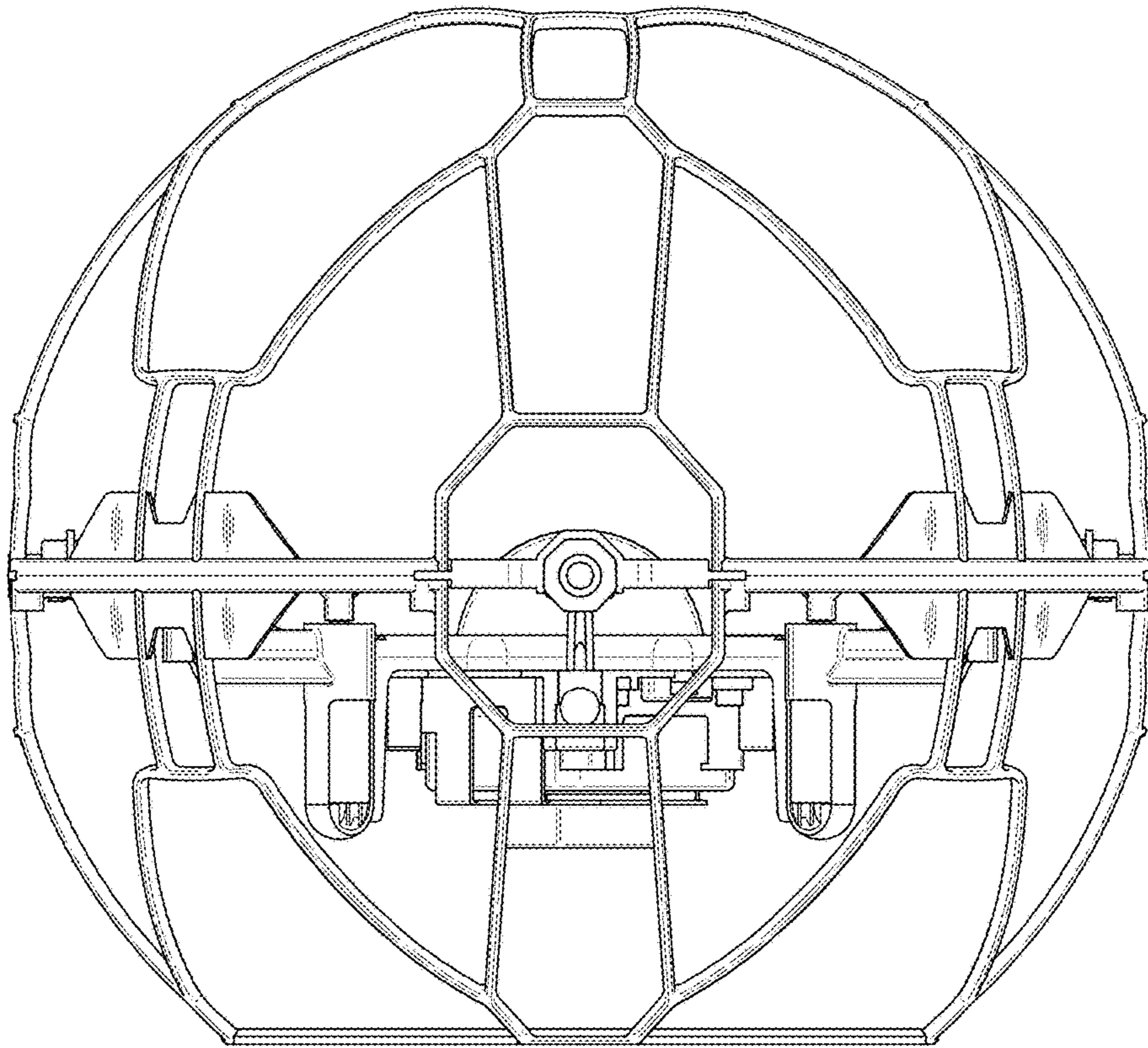


FIG. 4

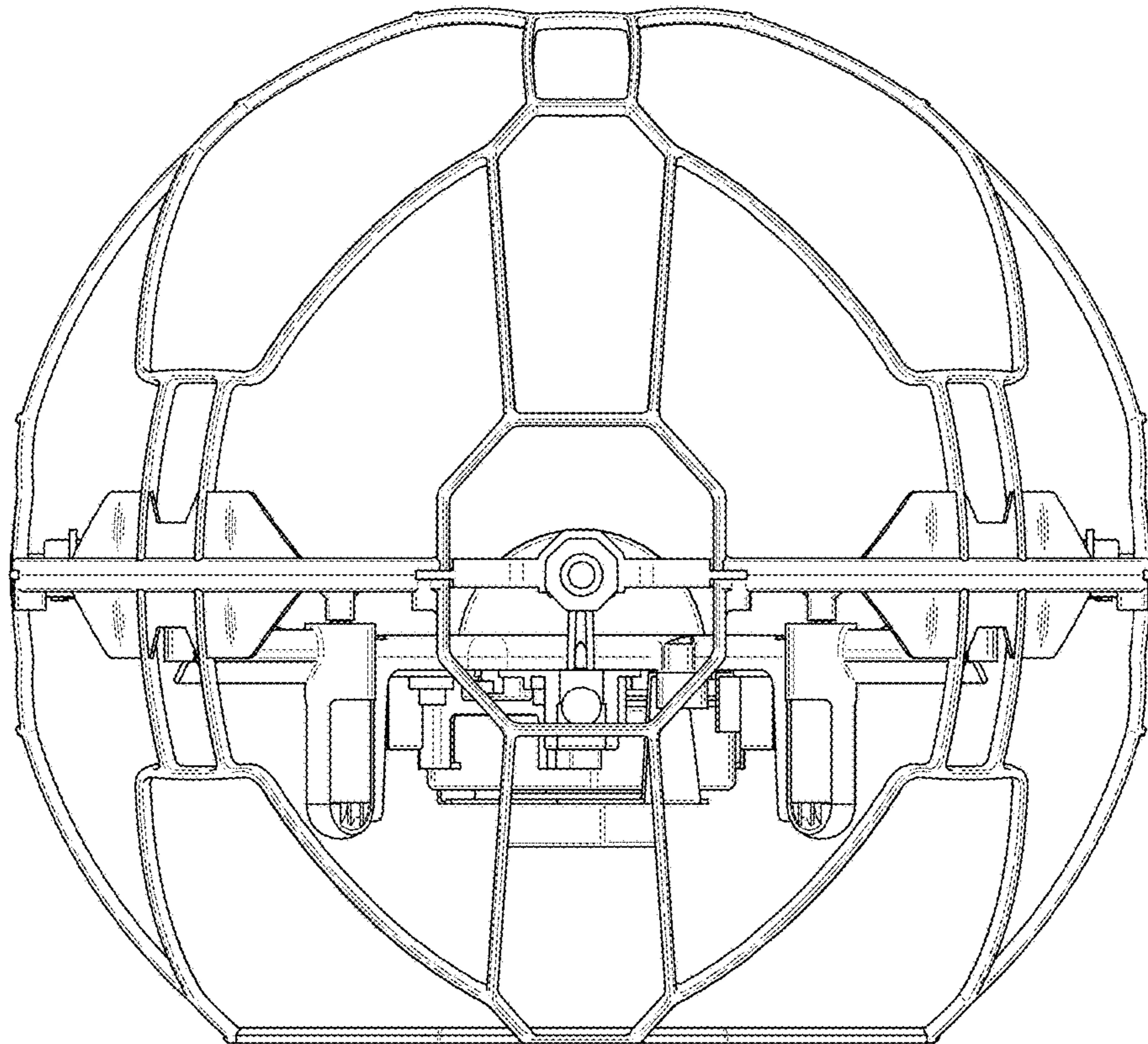


FIG. 5

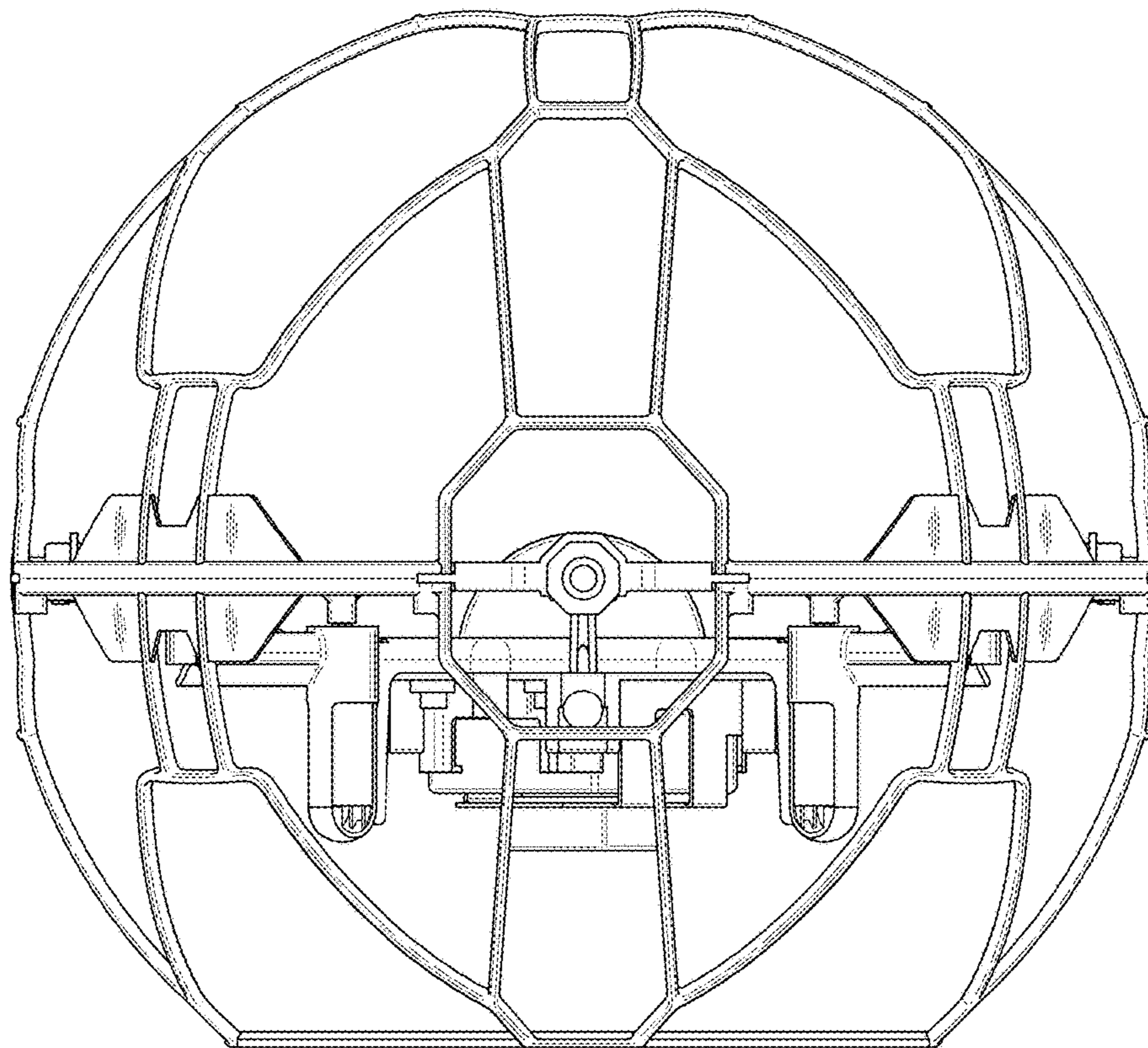


FIG. 6

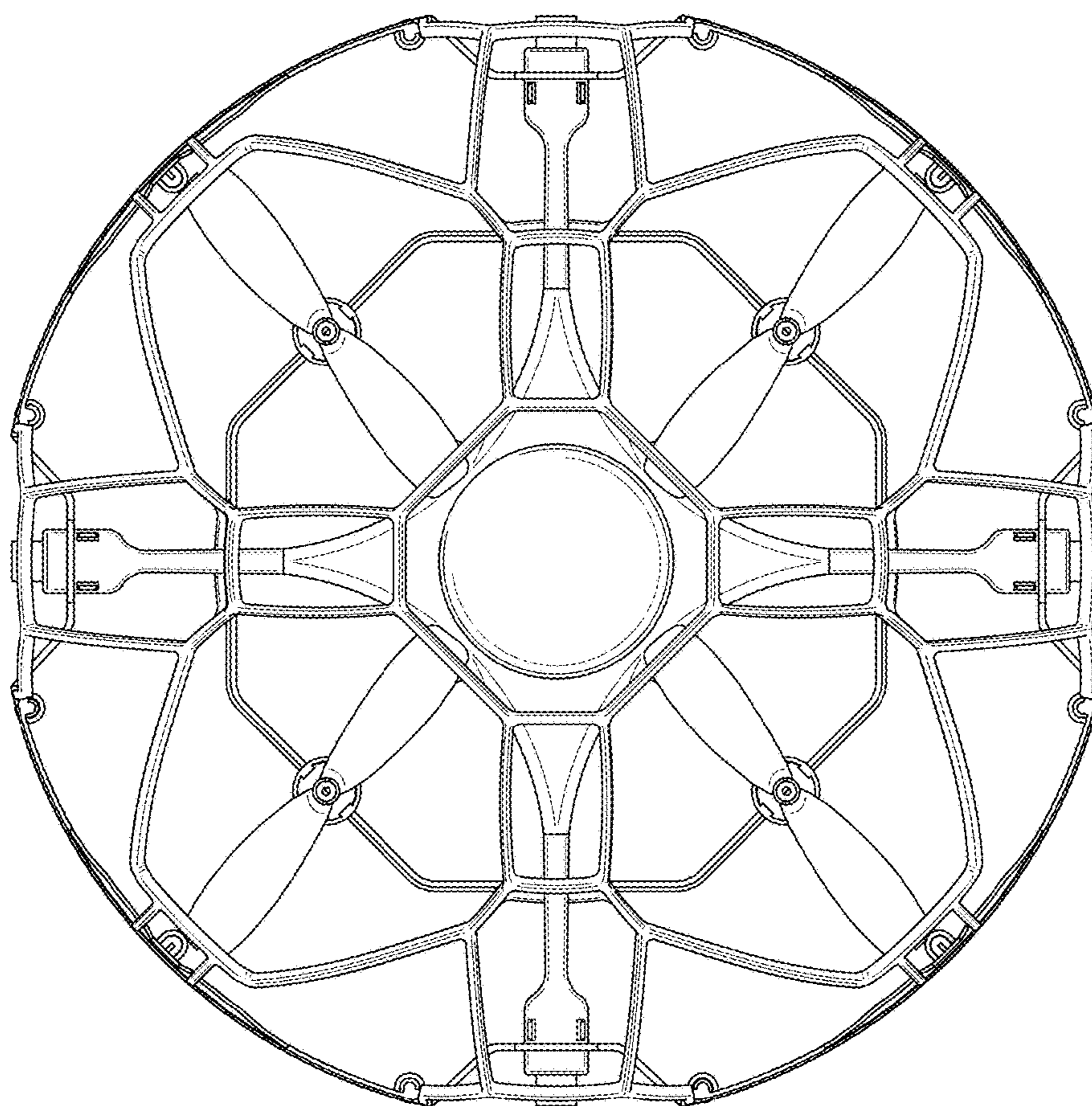


FIG. 7

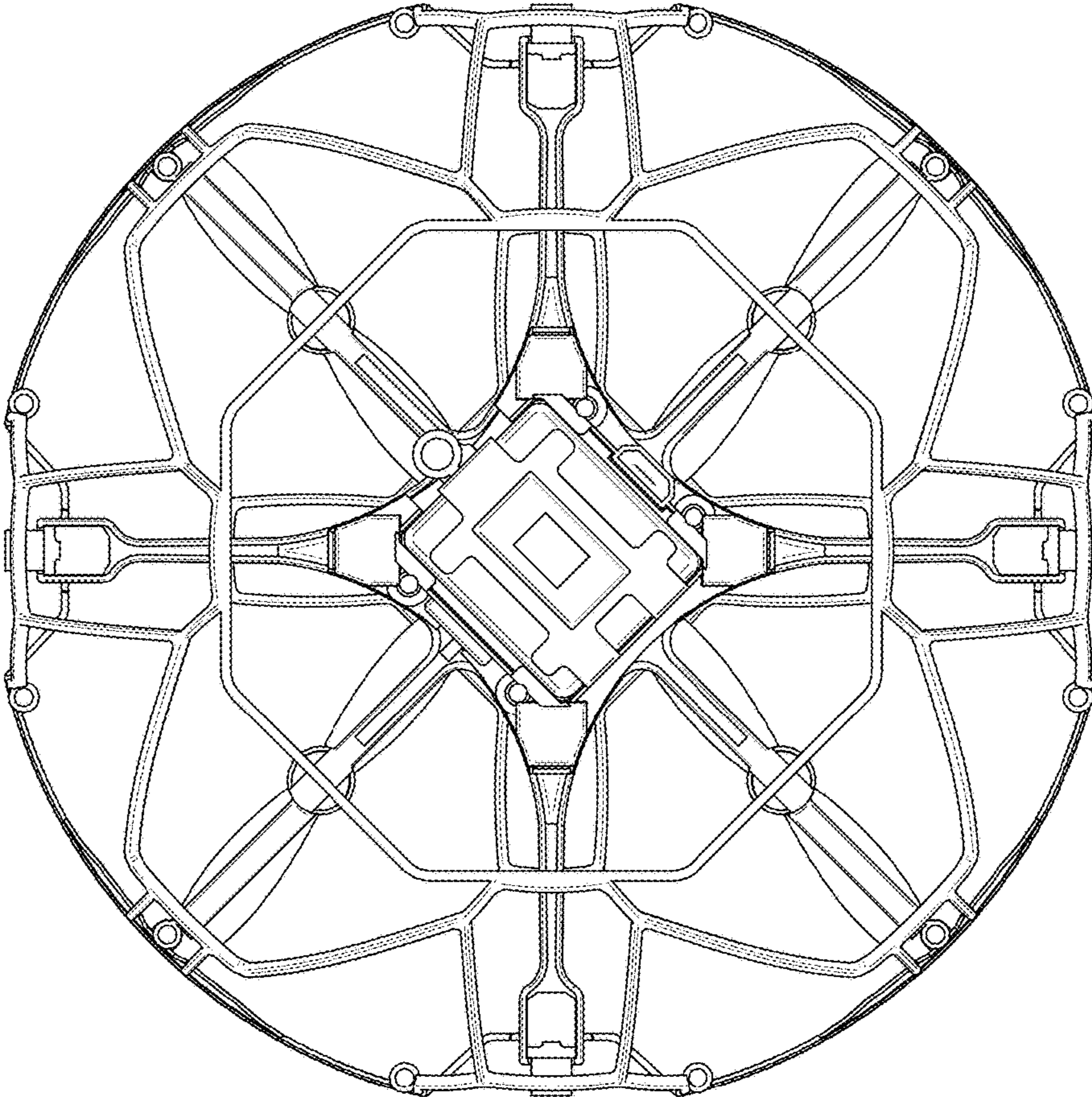


FIG. 8