

US00D866391S

(12) **United States Design Patent** (10) **Patent No.:** **US D866,391 S**
Paik et al. (45) **Date of Patent:** **** *Nov. 12, 2019**

(54) **BUCKLE MEMBER FOR BAGS**
(71) Applicant: **WOOJIN PLASTIC CO., LTD.**,
Gyeonggi-do (KR)
(72) Inventors: **Jisook Paik**, Seoul (KR); **Nan Hee Paik**, Seoul (KR); **Ji Hye Paik**, Seoul (KR); **Ji Won Son**, Seoul (KR)
(*) Notice: This patent is subject to a terminal disclaimer.
(**) Term: **15 Years**
(21) Appl. No.: **29/632,551**
(22) Filed: **Jan. 8, 2018**
(51) **LOC (12) Cl.** **02-07**
(52) **U.S. Cl.**
USPC **D11/218**; D11/216; D3/318
(58) **Field of Classification Search**
USPC D11/216, 218; D3/318
CPC A44B 11/18; A44B 11/02; A44B 11/26;
A45C 13/30
See application file for complete search history.

D724,995 S * 3/2015 Paik D11/216
D749,462 S * 2/2016 Paik D11/216
D778,779 S * 2/2017 Fujii D11/216
D784,851 S * 4/2017 Lin D11/216
D803,569 S * 11/2017 Fusi D3/318
D824,284 S * 7/2018 Mojica D11/216
D826,085 S * 8/2018 Morszeck D11/216

* cited by examiner

Primary Examiner — Holly H Baynham

(57) **CLAIM**

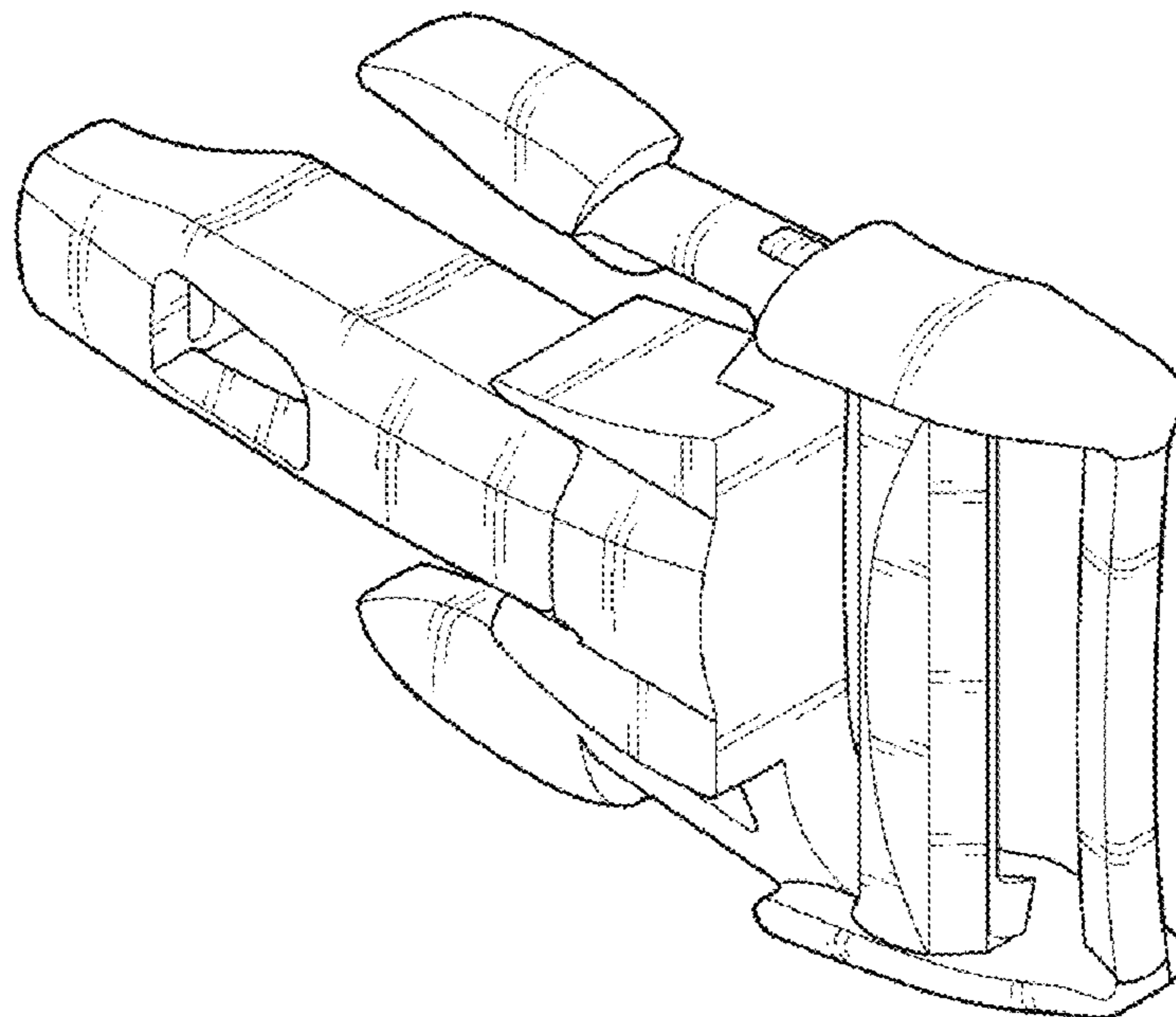
We claim, the ornamental design for a buckle member for bags, as shown and described.

DESCRIPTION

FIG. 1 is a perspective view of a buckle member for bags, showing my new design;
FIG. 2 is a front view thereof;
FIG. 3 is a rear view thereof;
FIG. 4 is a left side view thereof;
FIG. 5 is a right side view thereof;
FIG. 6 is a top plan view thereof;
FIG. 7 is a bottom plan view thereof;
FIG. 8 is a cross-sectional view taken along the lines 8-8 of FIG. 2;
FIG. 9 is a perspective view thereof with a female member of the buckle member;
FIG. 10 is an exploded perspective view of FIG. 1; and,
FIG. 11 is a bottom exploded perspective view of FIG. 1.
The broken lines showing a female member of buckle member of bags in FIG. 9 are included in for the purpose of illustrating the invention in use and form no part of the claimed invention.

1 Claim, 11 Drawing Sheets

(56) **References Cited**
U.S. PATENT DOCUMENTS
D405,724 S * 2/1999 Anscher D11/216
5,991,986 A * 11/1999 Canna A44B 11/006
24/197
6,374,467 B1 * 4/2002 Chen A45C 7/0045
190/102
D520,241 S * 5/2006 Hicks D3/318



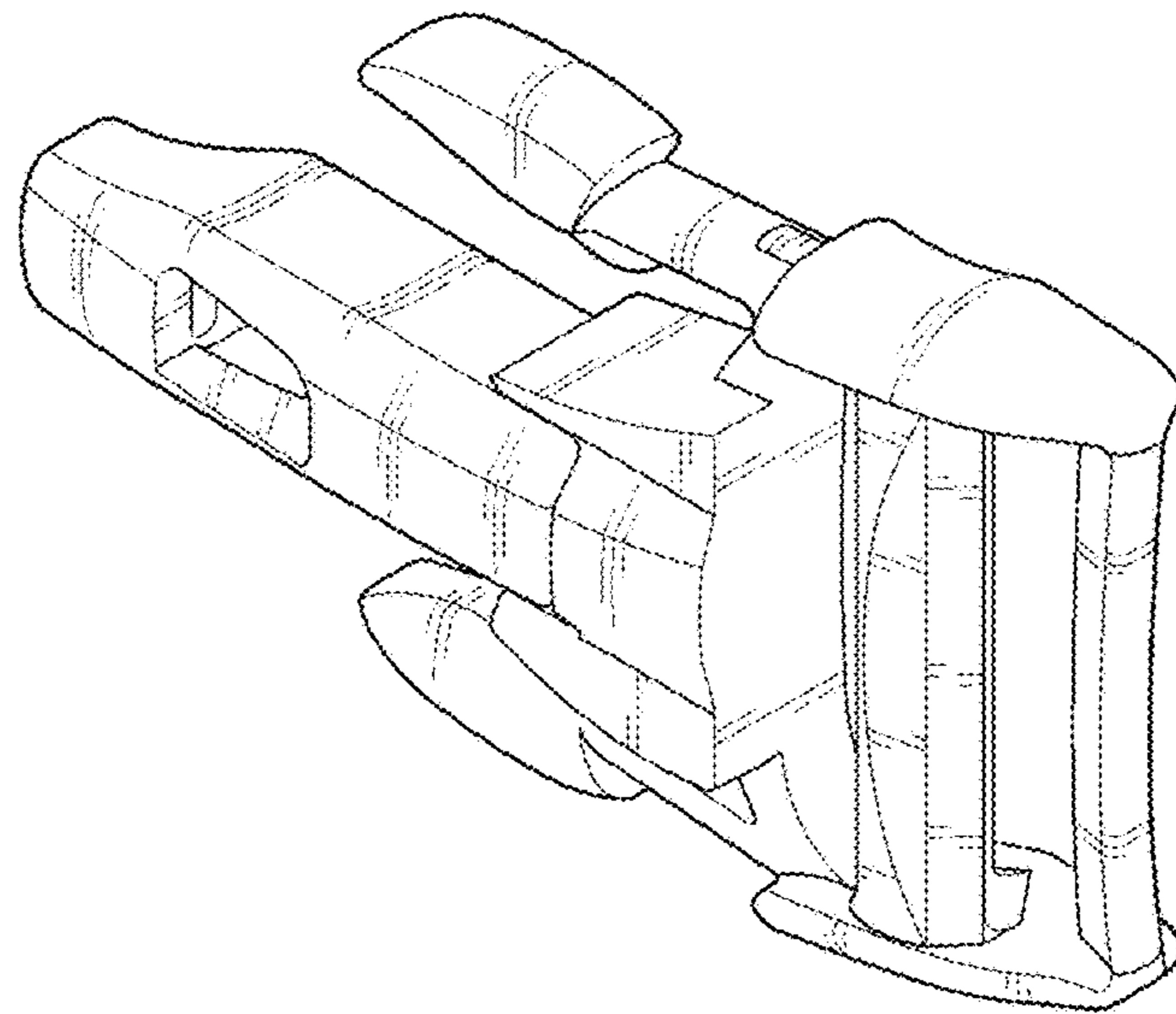


FIG.1

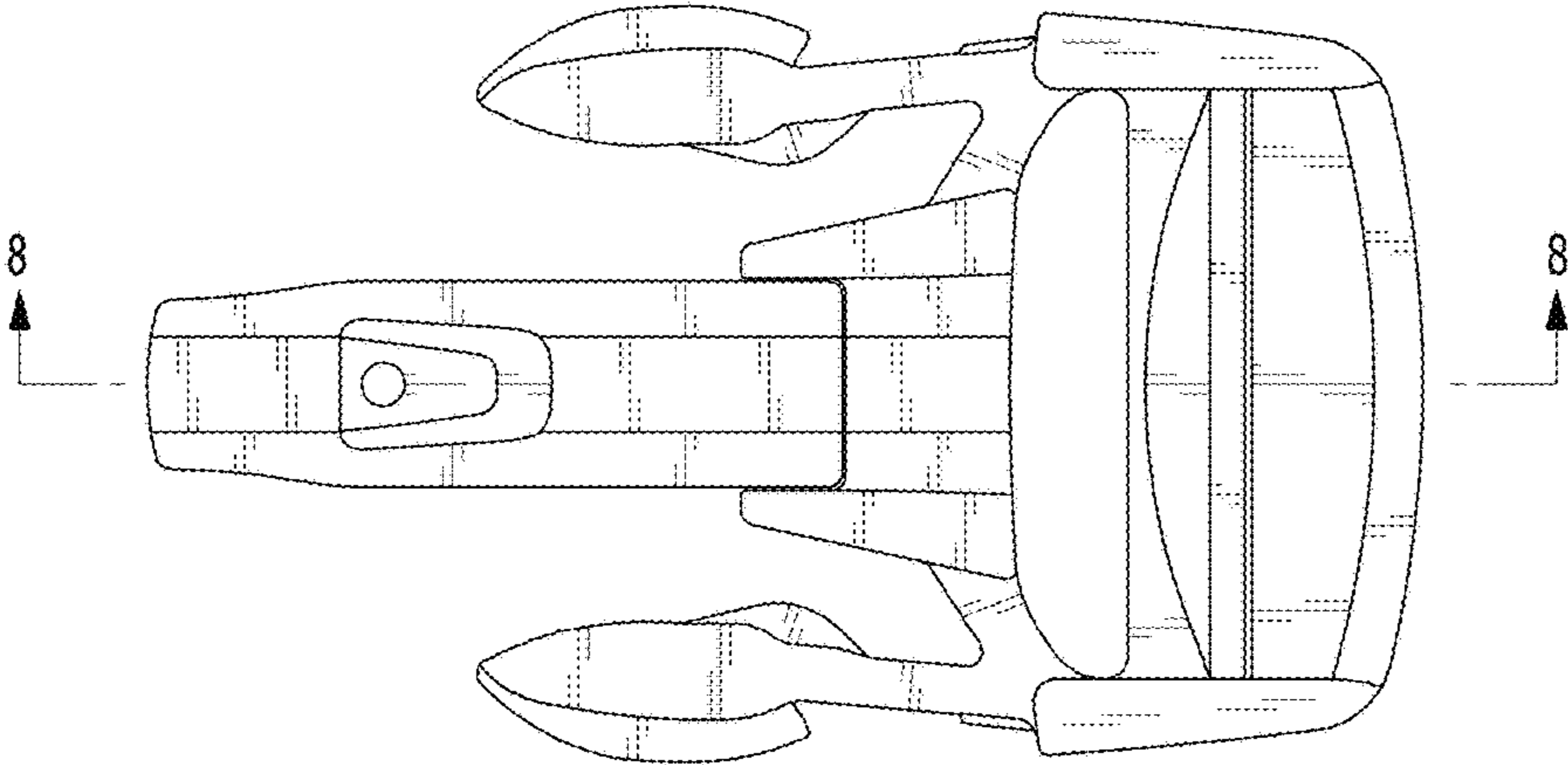


FIG.2

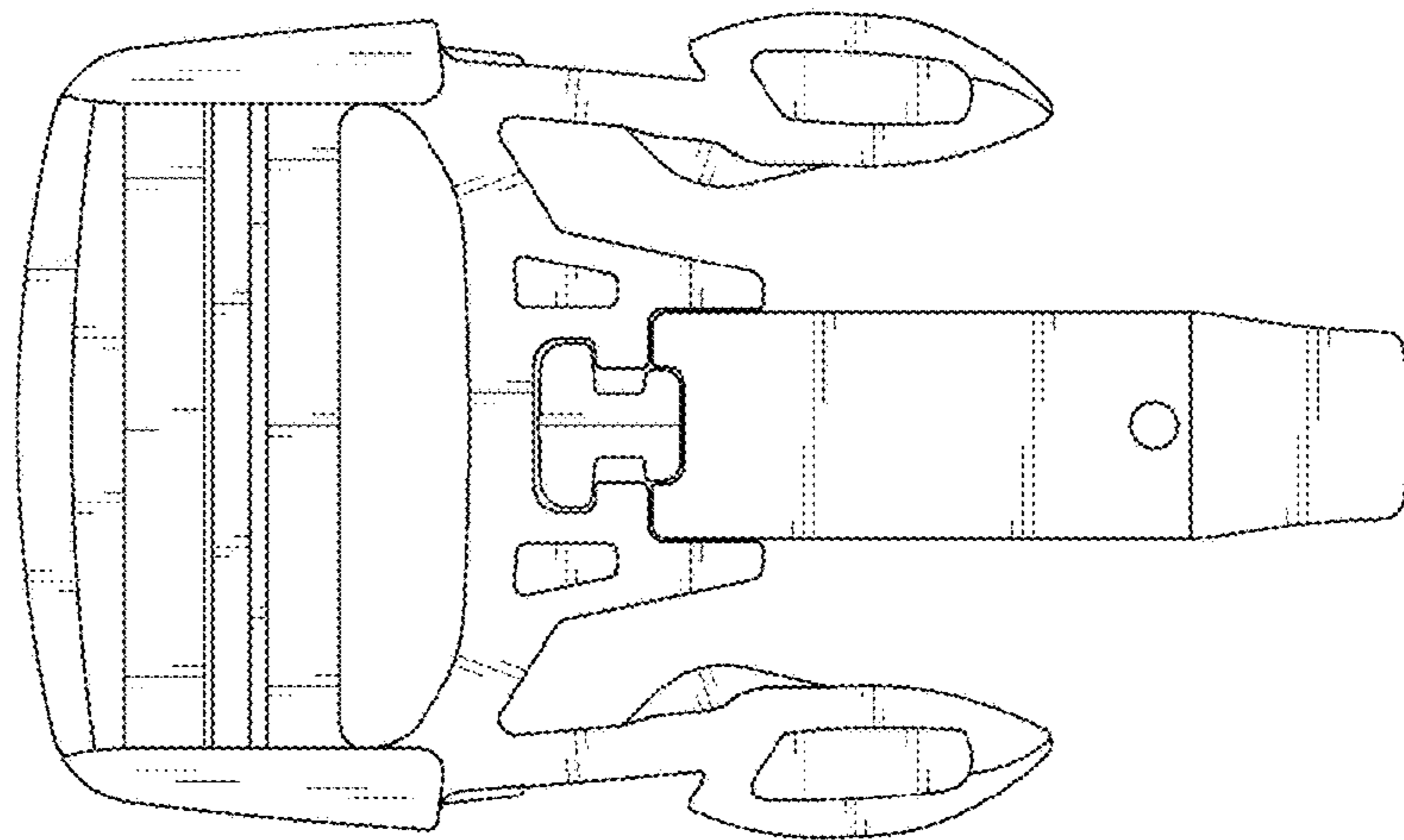


FIG.3

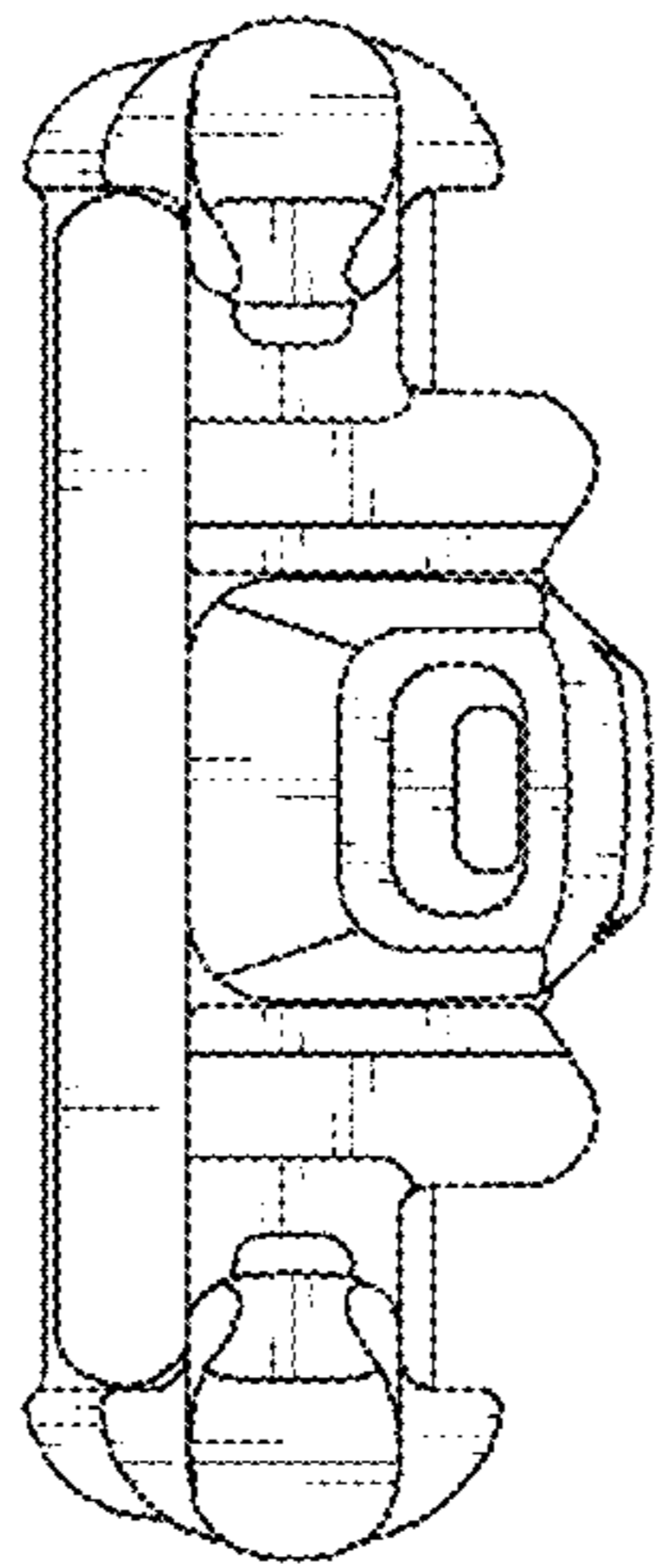


FIG.4

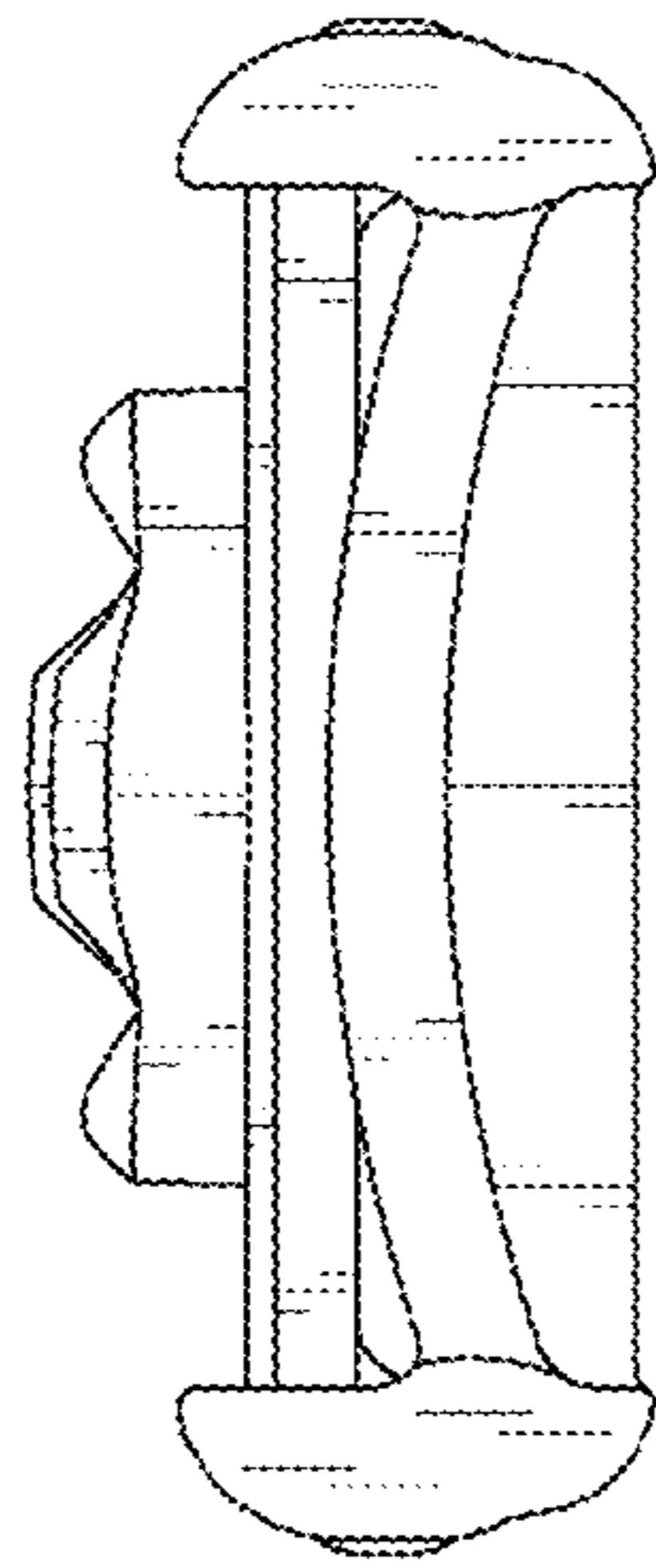


FIG.5

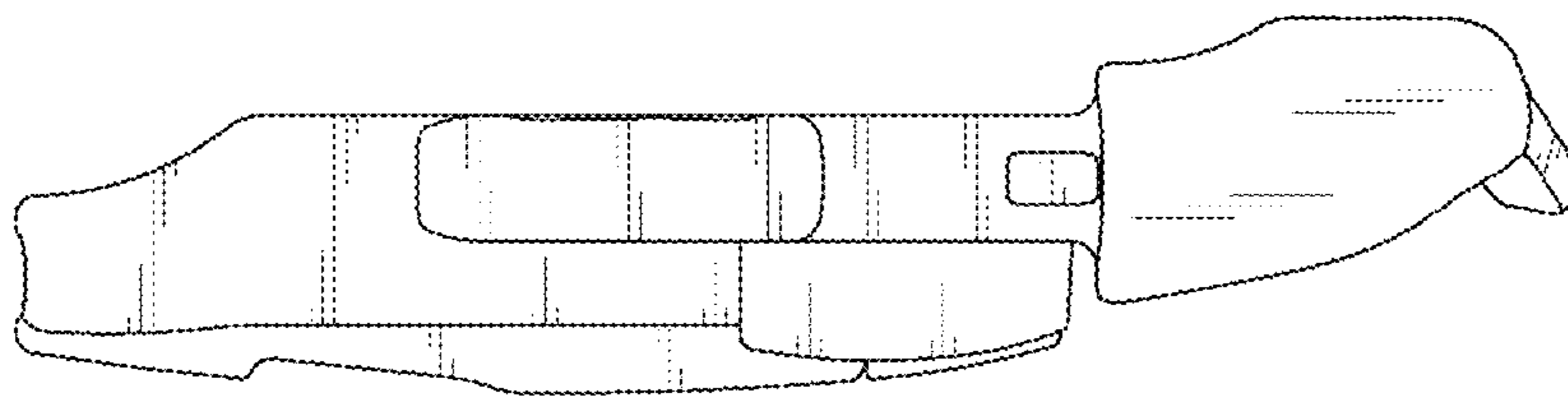


FIG.6

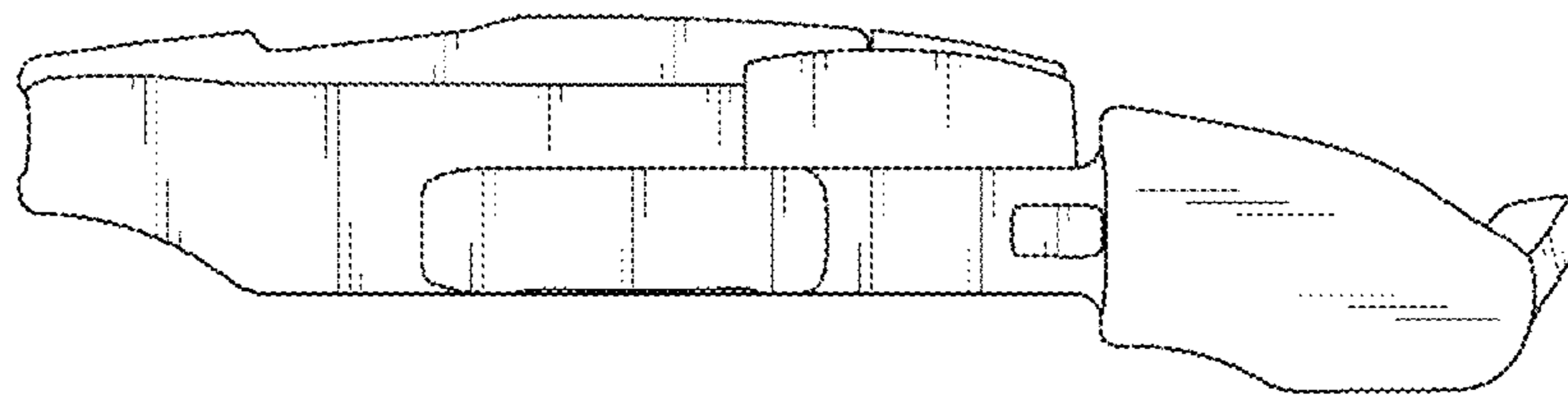


FIG.7

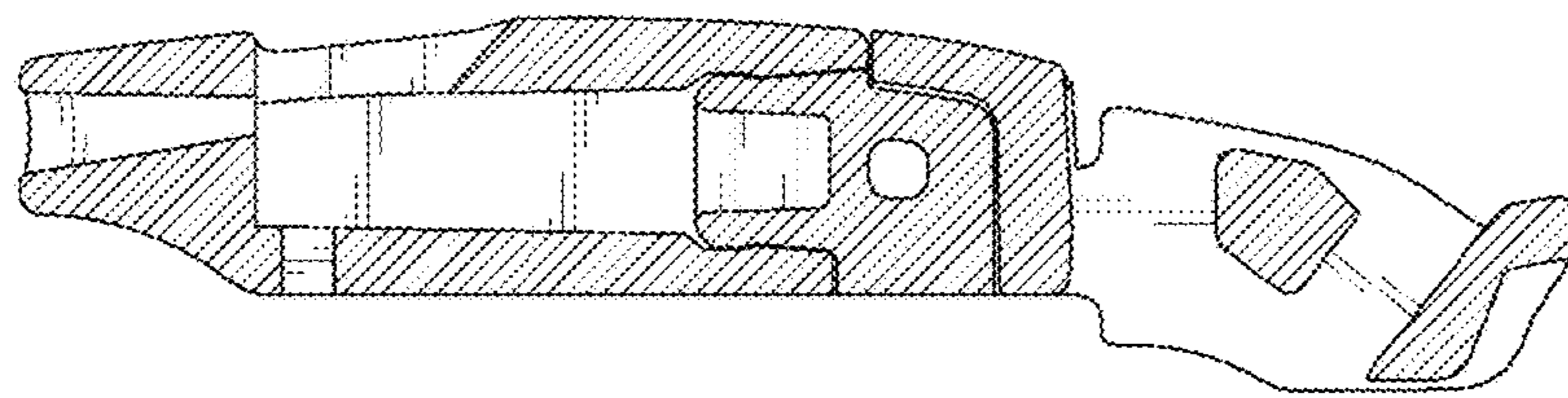


FIG.8

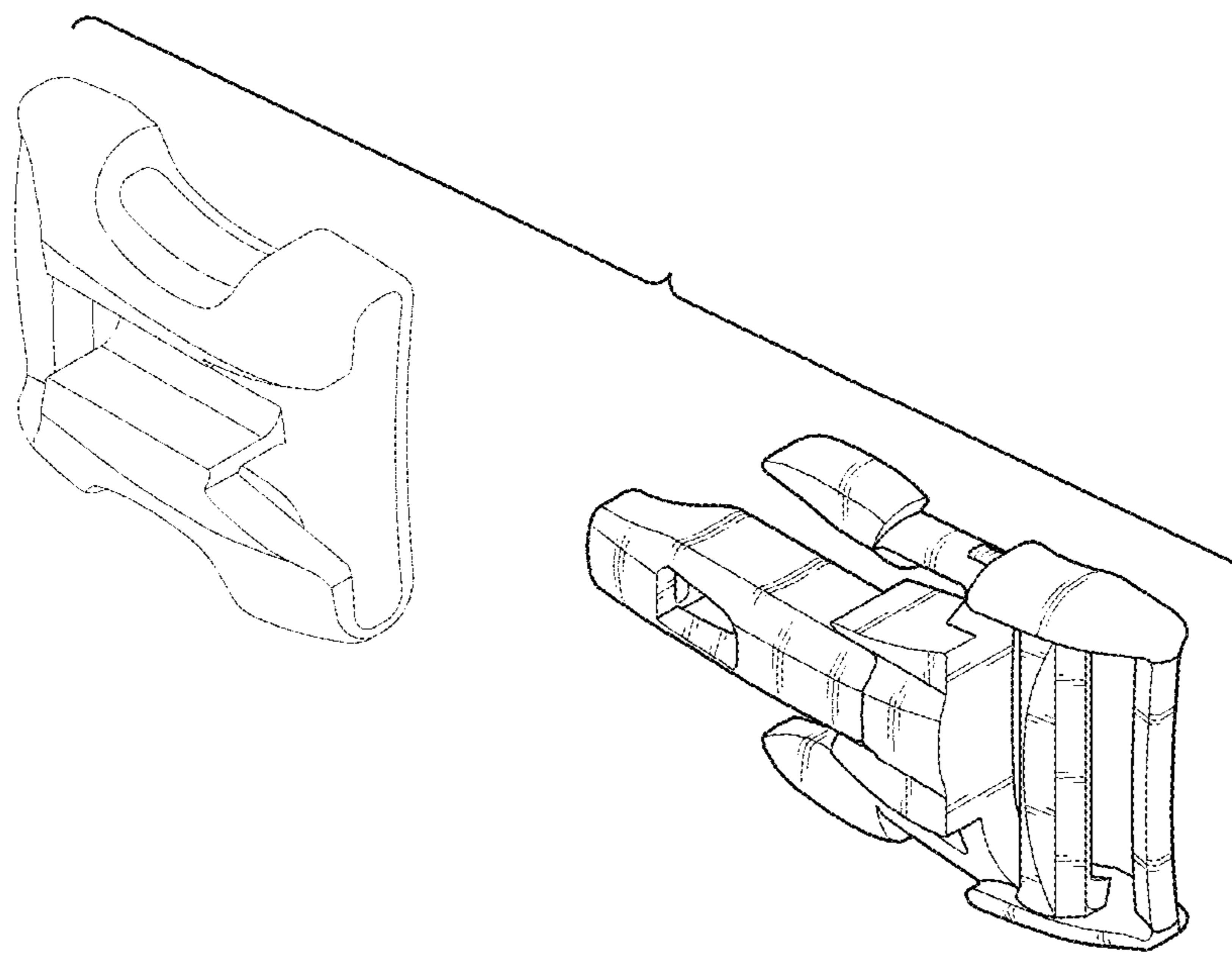


FIG.9

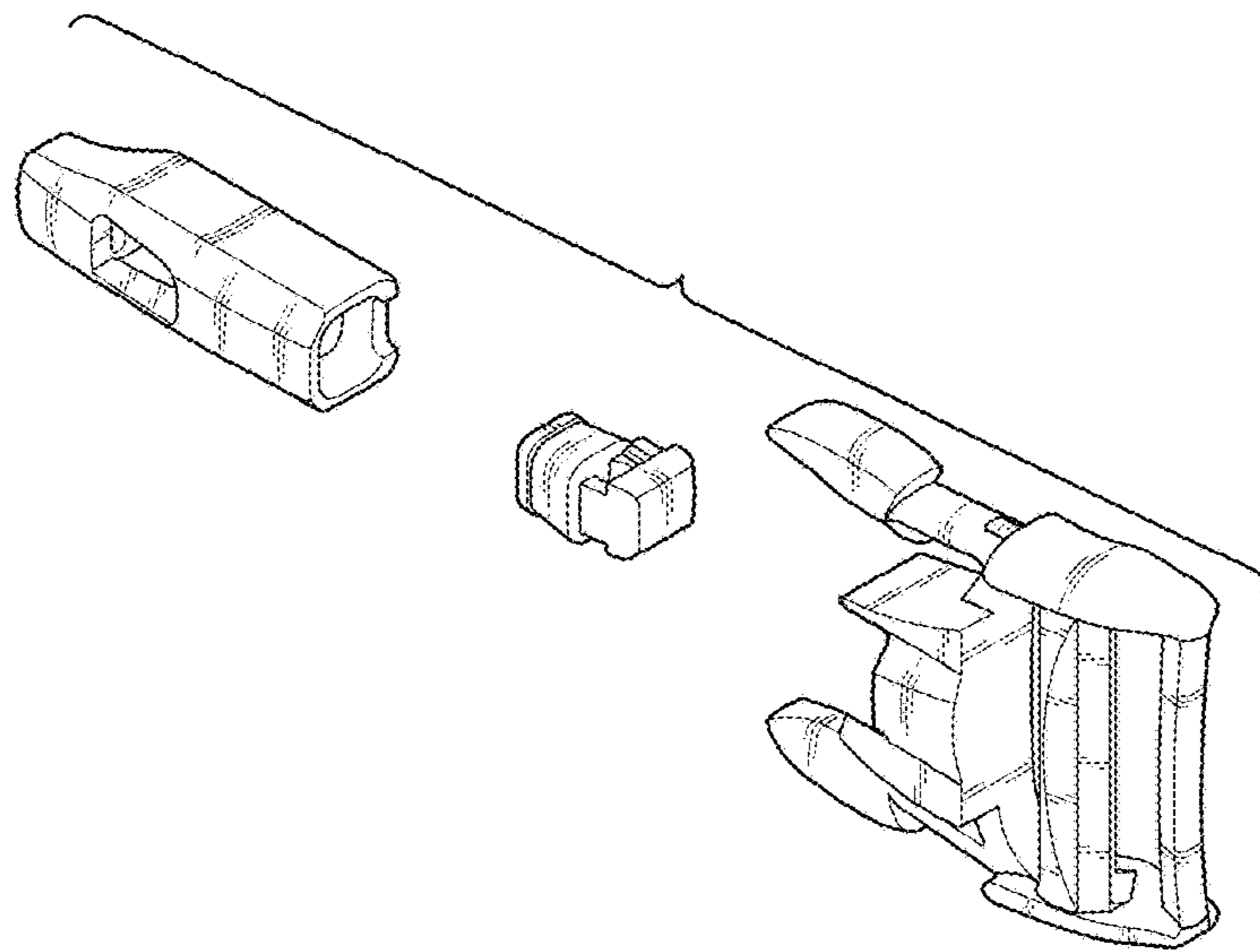


FIG.10

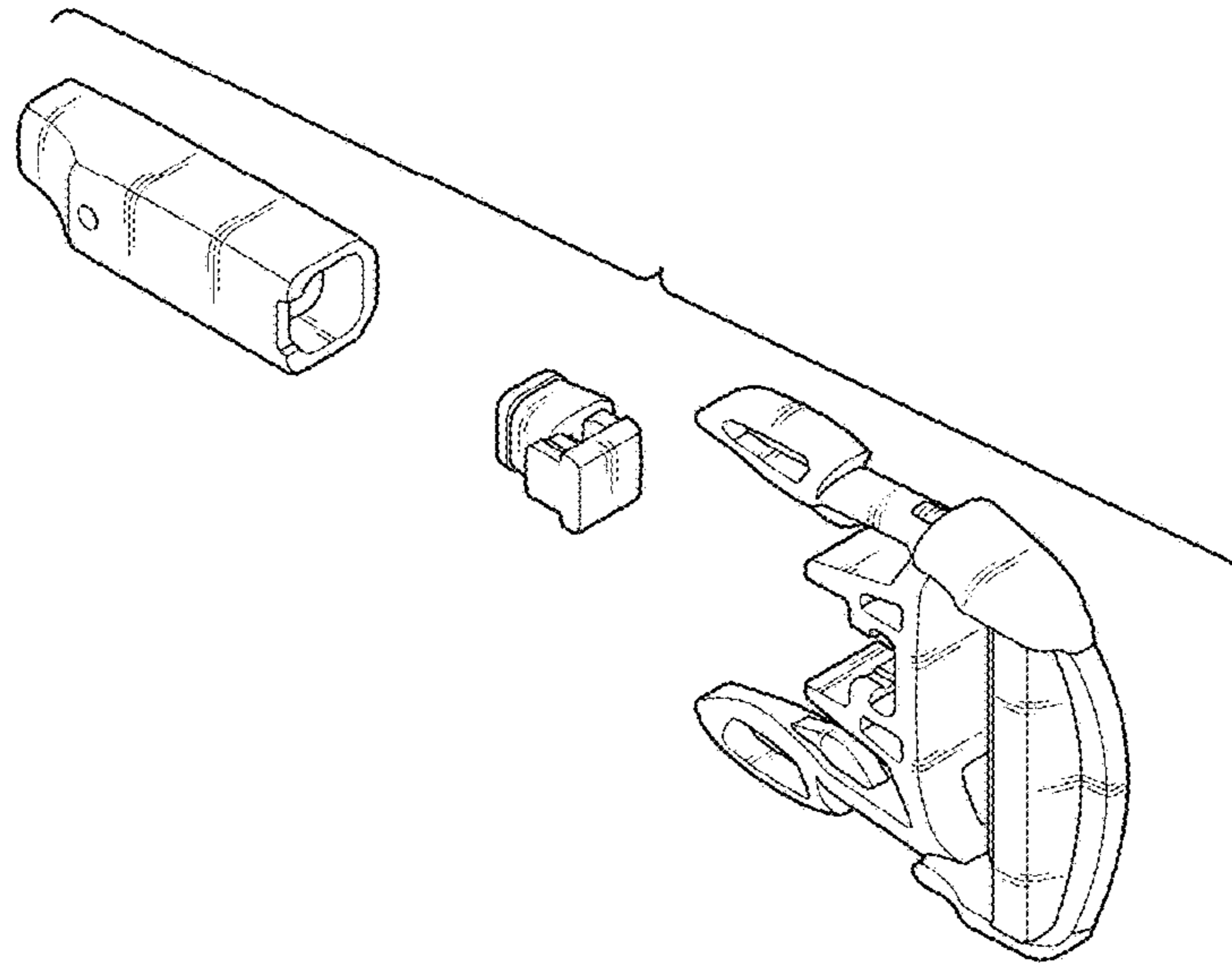


FIG.11