

US00D866386S

(12) **United States Design Patent** (10) **Patent No.:** **US D866,386 S**
Saxena (45) **Date of Patent:** **** Nov. 12, 2019**

(54) **BRACELET**

(71) Applicant: **ORIENTAL GEMCO NY INC.**, New York, NY (US)

(72) Inventor: **Vivek Saxena**, New York, NY (US)

(73) Assignee: **ORIENTAL GEMCO NY INC.**, New York, NY (US)

(**) Term: **15 Years**

(21) Appl. No.: **29/695,763**

(22) Filed: **Jun. 21, 2019**

(51) **LOC (12) Cl.** **11-01**

(52) **U.S. Cl.**
USPC **D11/86**

(58) **Field of Classification Search**
USPC D11/40–48, 3, 4, 79, 80, 81, 86, 91, 92,
D11/63, 1, 2, 5–25

(Continued)

(56) **References Cited**

U.S. PATENT DOCUMENTS

D104,106 S * 4/1937 Howard D11/46
D111,135 S 9/1938 Ebbert

(Continued)

FOREIGN PATENT DOCUMENTS

EM 0062585540001 2/2019
EM 0062585540002 2/2019

(Continued)

OTHER PUBLICATIONS

[Online] “Mijobs Replacement Stainless Steel Frame Bracelet Wristband for Xiaomi Miband 2” <https://alexnl.com/product/mijobs-replacement-stainless-steel-frame-bracelet-wristband-for-xiaomi-miband-2/>. Retrieved Aug. 17, 2019.*

Primary Examiner — Melanie Pellegrini

(74) *Attorney, Agent, or Firm* — Hodgson Russ LLP

(57) **CLAIM**

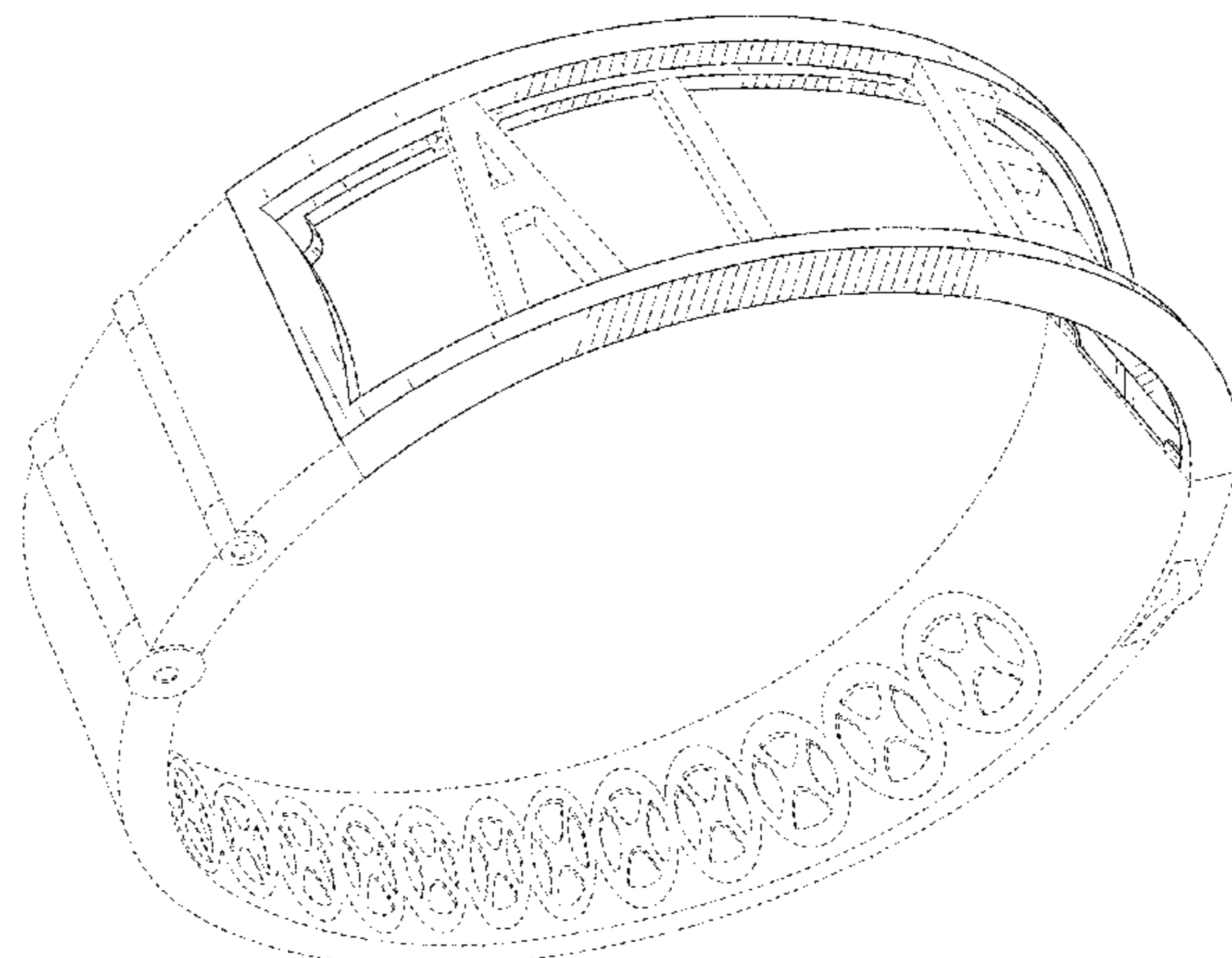
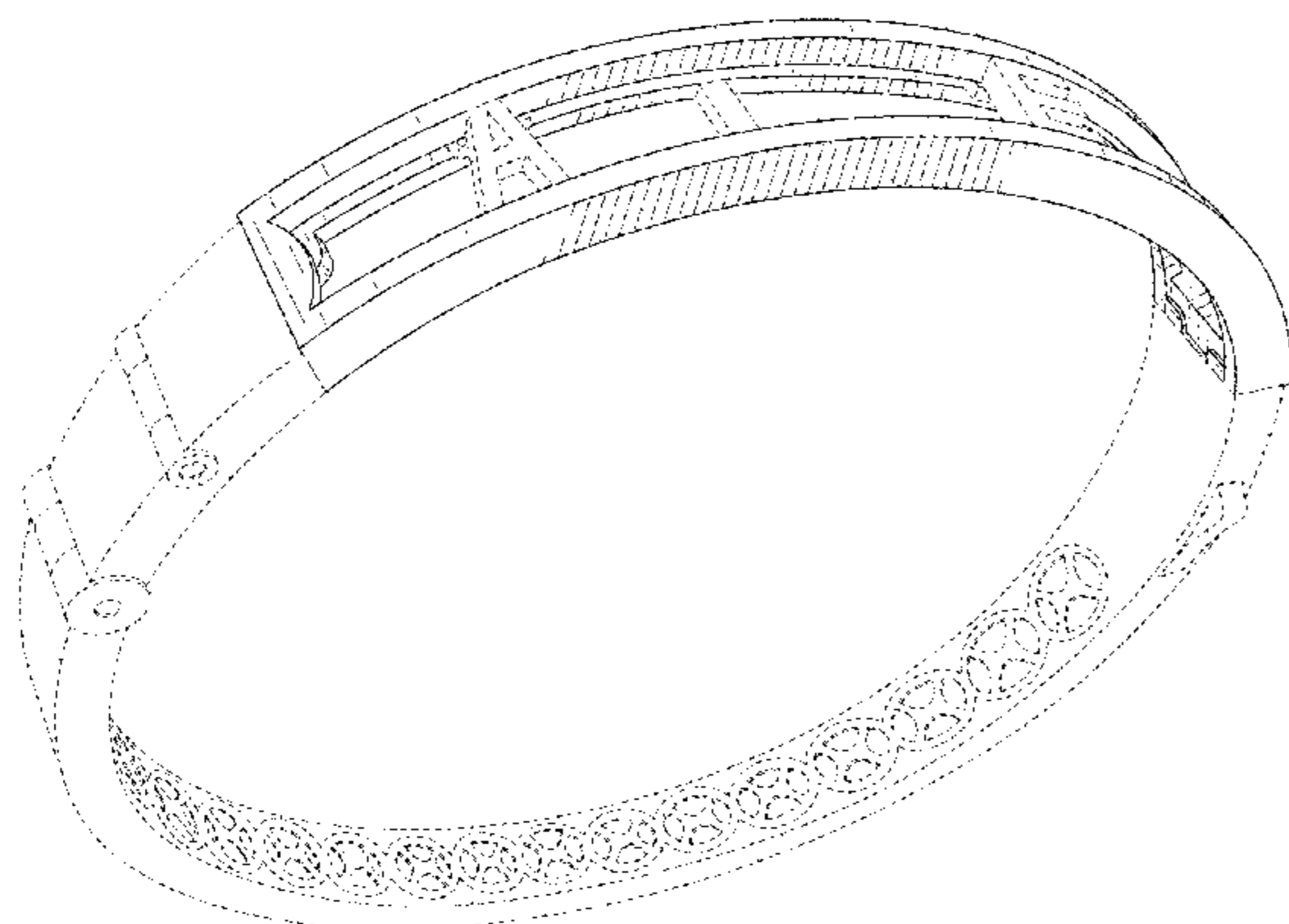
The ornamental design for a bracelet, as shown and described.

DESCRIPTION

FIG. 1 is a front-top-left perspective view of a first embodiment of a bracelet, showing my new design; FIG. 2 is a front-bottom-left perspective view thereof; FIG. 3 is a front elevation view thereof; FIG. 4 is rear elevation view thereof; FIG. 5 is a left side elevation view thereof; FIG. 6 is a right side elevation view thereof; FIG. 7 is a top plan view thereof; FIG. 8 is a bottom plan view thereof; FIG. 9 is a front-top-left perspective view of a second embodiment of a bracelet, showing my new design; FIG. 10 is a front-bottom-left perspective view thereof; FIG. 11 is a front elevation view thereof; FIG. 12 is rear elevation view thereof; FIG. 13 is a left side elevation view thereof; FIG. 14 is a right side elevation view thereof; FIG. 15 is a top plan view thereof; FIG. 16 is a bottom plan view thereof; FIG. 17 is a front-top-left perspective view of a third embodiment of a bracelet, showing my new design; FIG. 18 is a front-bottom-left perspective view thereof; FIG. 19 is a front elevation view thereof; FIG. 20 is rear elevation view thereof; FIG. 21 is a left side elevation view thereof; FIG. 22 is a right side elevation view thereof; FIG. 23 is a top plan view thereof; and, FIG. 24 is a bottom plan view thereof.

The evenly-spaced dashed lines in the figures illustrate portions of the bracelet that form no part of the claimed design. The long dash-short dash lines represent an unclaimed boundary of the claimed design.

1 Claim, 18 Drawing Sheets



(58) **Field of Classification Search**

CPC A44C 7/00; A44C 7/002; A44C 7/003;
 A44C 7/004; A44C 7/005; A44C 7/006;
 A44C 7/007; A44C 7/008; A44C 7/009;
 A44C 5/00; A44C 5/0007; A44C 5/0023;
 A44C 5/003; A44C 5/0038; A44C
 5/0046; A44C 5/0053; A44C 5/0061;
 A44C 5/0069; A44C 5/0076; A44C
 5/0084; A44C 5/0092; A44C 1/00; A44C
 3/00; A44C 3/001

See application file for complete search history.

(56) **References Cited**

U.S. PATENT DOCUMENTS

2,213,097 A * 8/1940 Del Sesto G09F 7/02
 40/620
 D243,411 S 2/1977 Johnson
 D247,482 S 3/1978 Schupp
 D255,668 S 7/1980 Sidders
 D382,222 S 8/1997 Coto
 D401,527 S 11/1998 Kelman
 D415,976 S 11/1999 Be
 D419,079 S * 1/2000 Rodkey D10/31
 D429,657 S 8/2000 Baghdassarian
 6,260,383 B1 7/2001 Warren
 D469,377 S * 1/2003 Lee D11/87
 D470,429 S 2/2003 Bonnet
 D503,902 S 4/2005 Shelton
 D515,450 S 2/2006 Schiesl-Griesinger
 D550,580 S 9/2007 Saxon
 D559,724 S 1/2008 Dabbs
 D562,173 S 2/2008 Hardy
 D601,920 S * 10/2009 Lax D11/116
 D605,544 S 12/2009 Morelli
 D617,231 S 6/2010 Adamson
 D619,026 S 7/2010 Papadimitriou
 7,930,918 B2 * 4/2011 Bashan A44B 15/005
 70/408
 D649,080 S 11/2011 Neary
 D658,085 S 4/2012 Rafaelian
 D706,665 S 6/2014 Goldwitz
 D710,738 S 8/2014 Kim

D715,678 S * 10/2014 Ochoa D11/80
 D721,609 S 1/2015 Duddy
 D724,472 S 3/2015 Blondet
 D725,534 S 3/2015 Ciprari
 D740,709 S 10/2015 Gatti
 D740,710 S 10/2015 Gatti
 9,149,095 B2 10/2015 Inglis
 9,259,045 B1 * 2/2016 Yanes A42B 1/248
 D763,116 S * 8/2016 Visconti D11/80
 9,462,855 B1 * 10/2016 Curran A44C 5/0007
 D776,557 S 1/2017 Gusky
 D779,997 S 2/2017 King
 D782,356 S 3/2017 Talarico
 D786,116 S 5/2017 Thor
 D796,369 S 9/2017 Lambert
 D818,865 S 5/2018 Stepper
 D832,130 S 10/2018 Bostic
 D832,131 S 10/2018 Hu
 D837,676 S 1/2019 Gruosi-Scheufele
 D837,677 S 1/2019 Choi
 D849,583 S 5/2019 Desjardins
 2003/0106336 A1 * 6/2003 Gaskill A44C 5/0023
 63/3
 2014/0174124 A1 6/2014 Duggal
 2014/0223961 A1 * 8/2014 Mullins A44C 5/0015
 63/1.13
 2015/0359304 A1 12/2015 Thomas
 2016/0051016 A1 2/2016 Harris
 2016/0345689 A1 12/2016 Clark
 2018/0271230 A1 9/2018 Fahy

FOREIGN PATENT DOCUMENTS

EM 0062585540003 2/2019
 EM 0062585540004 2/2019
 EM 0062585540005 2/2019
 EM 0062585540006 2/2019
 EM 0062585540007 2/2019
 EM 0062585540008 2/2019
 EM 0062585540009 2/2019
 EM 0062585540010 2/2019
 EM 0062585540011 2/2019
 EM 0062585540012 2/2019

* cited by examiner

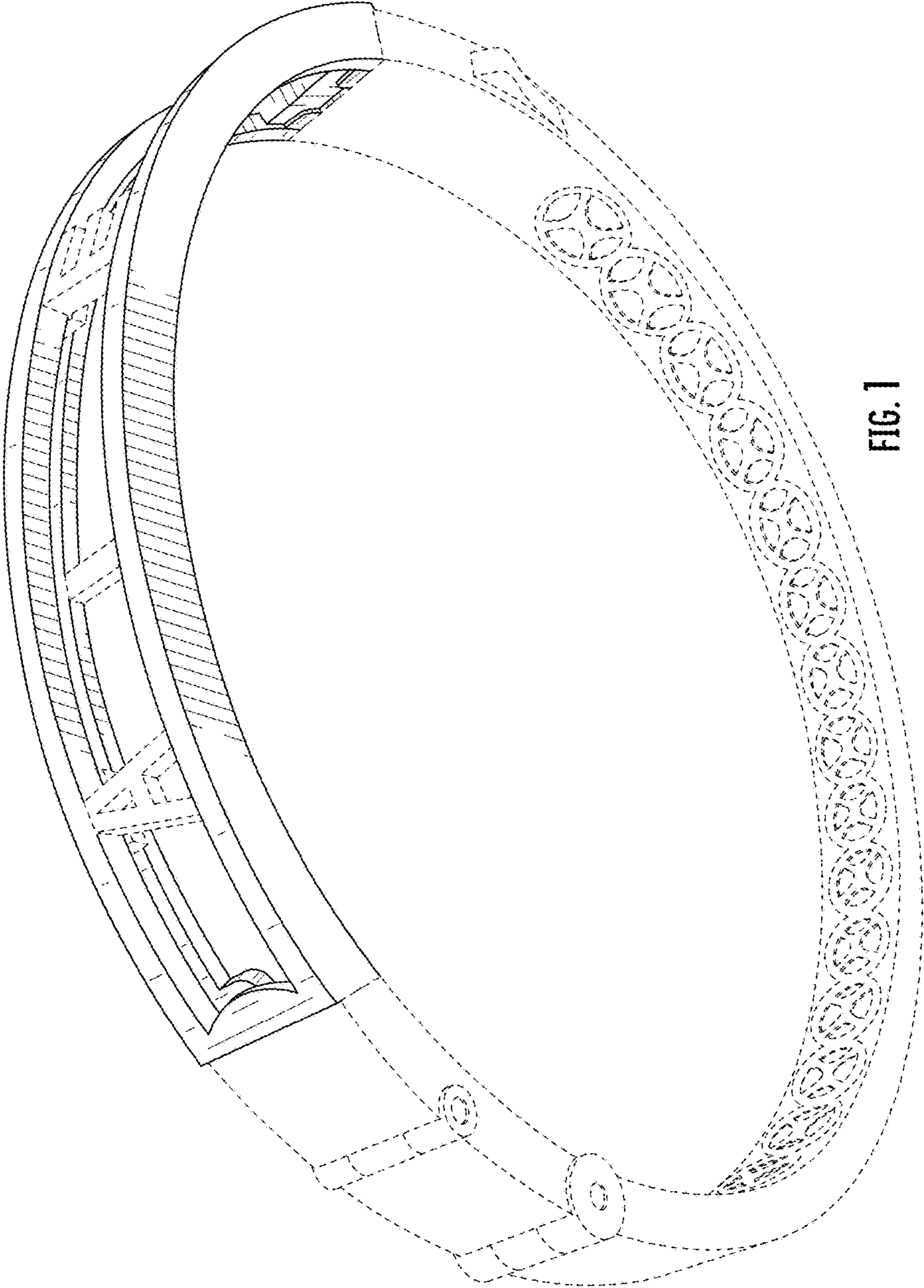


FIG. 1

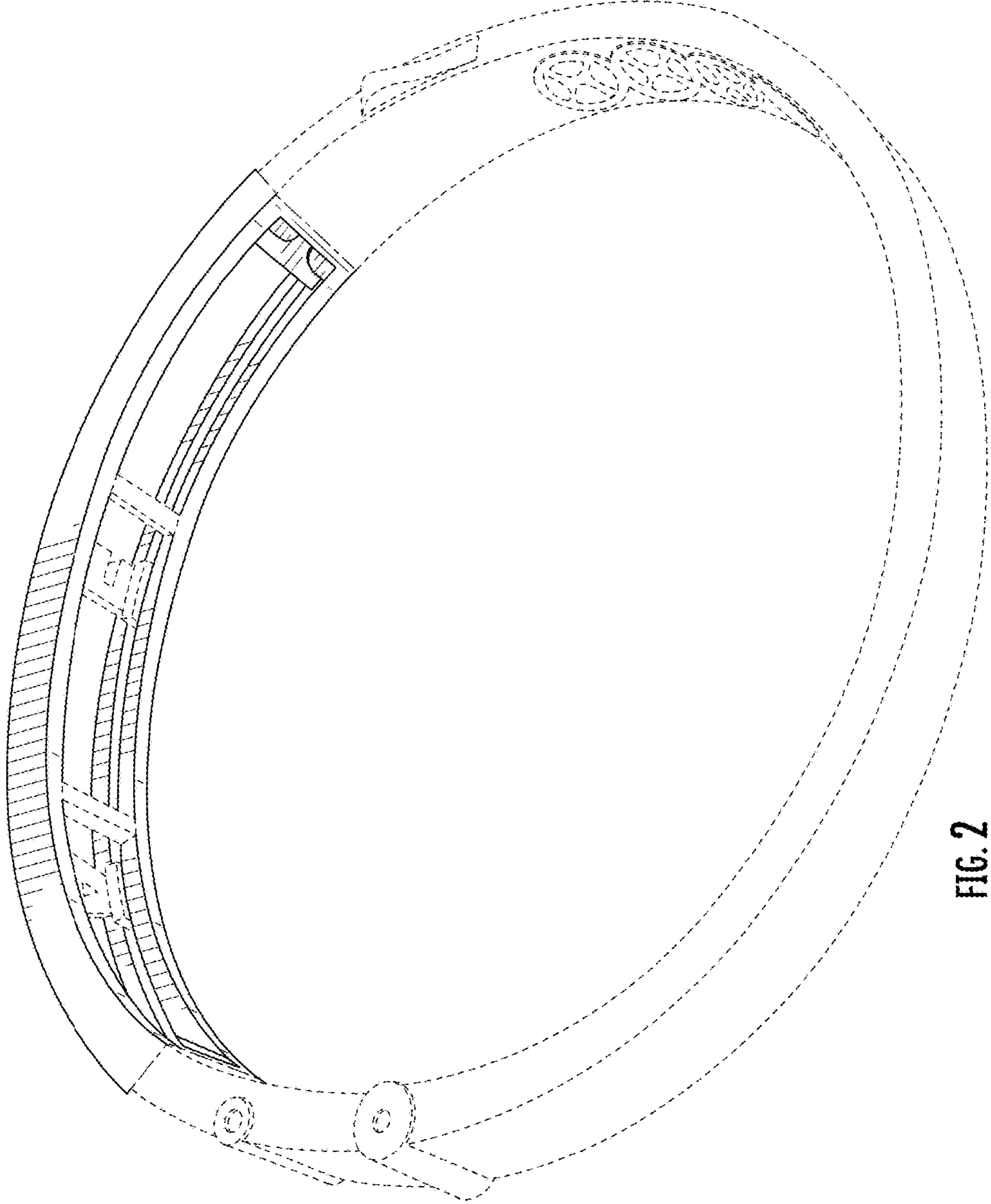


FIG. 2

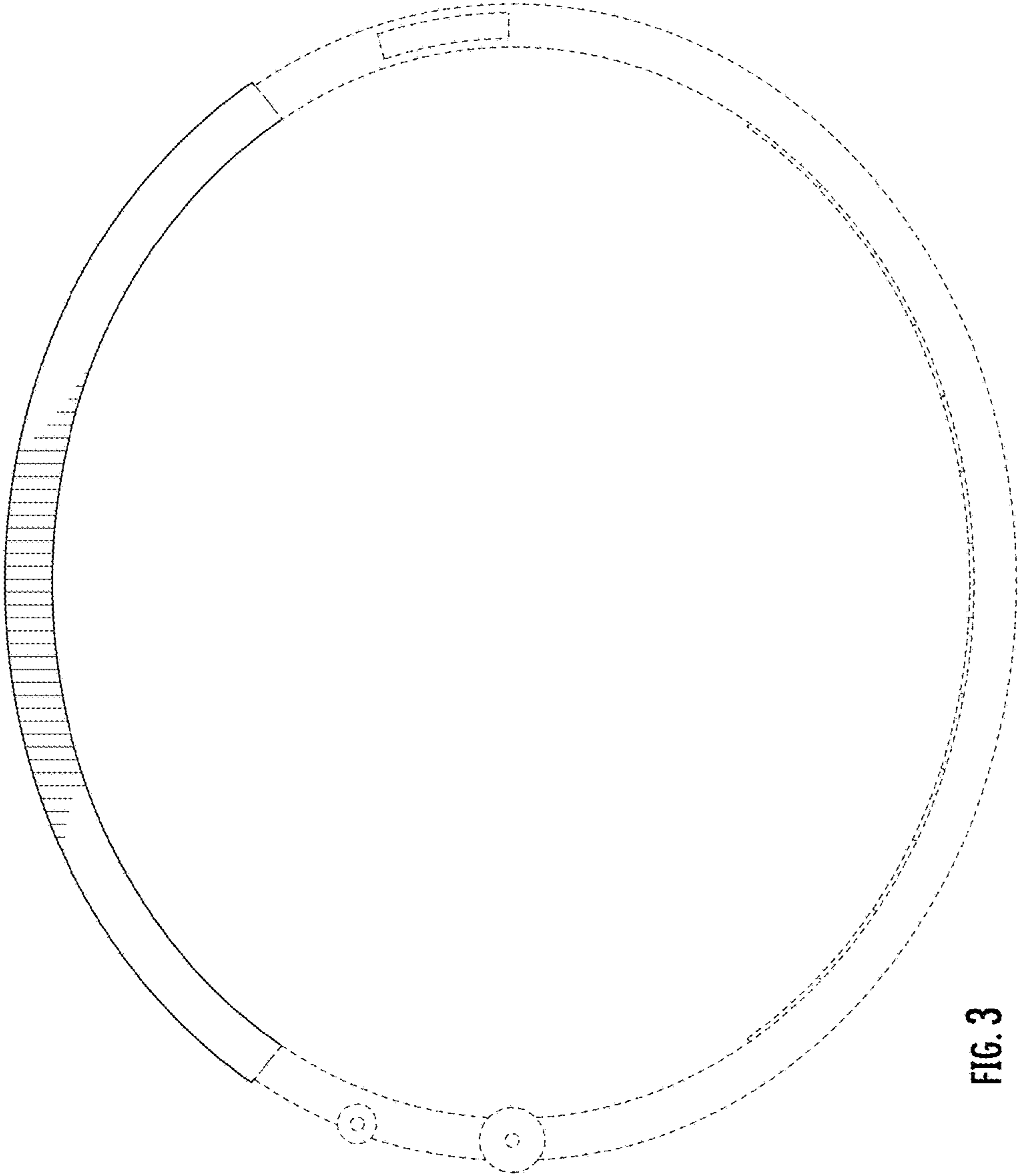


FIG. 3

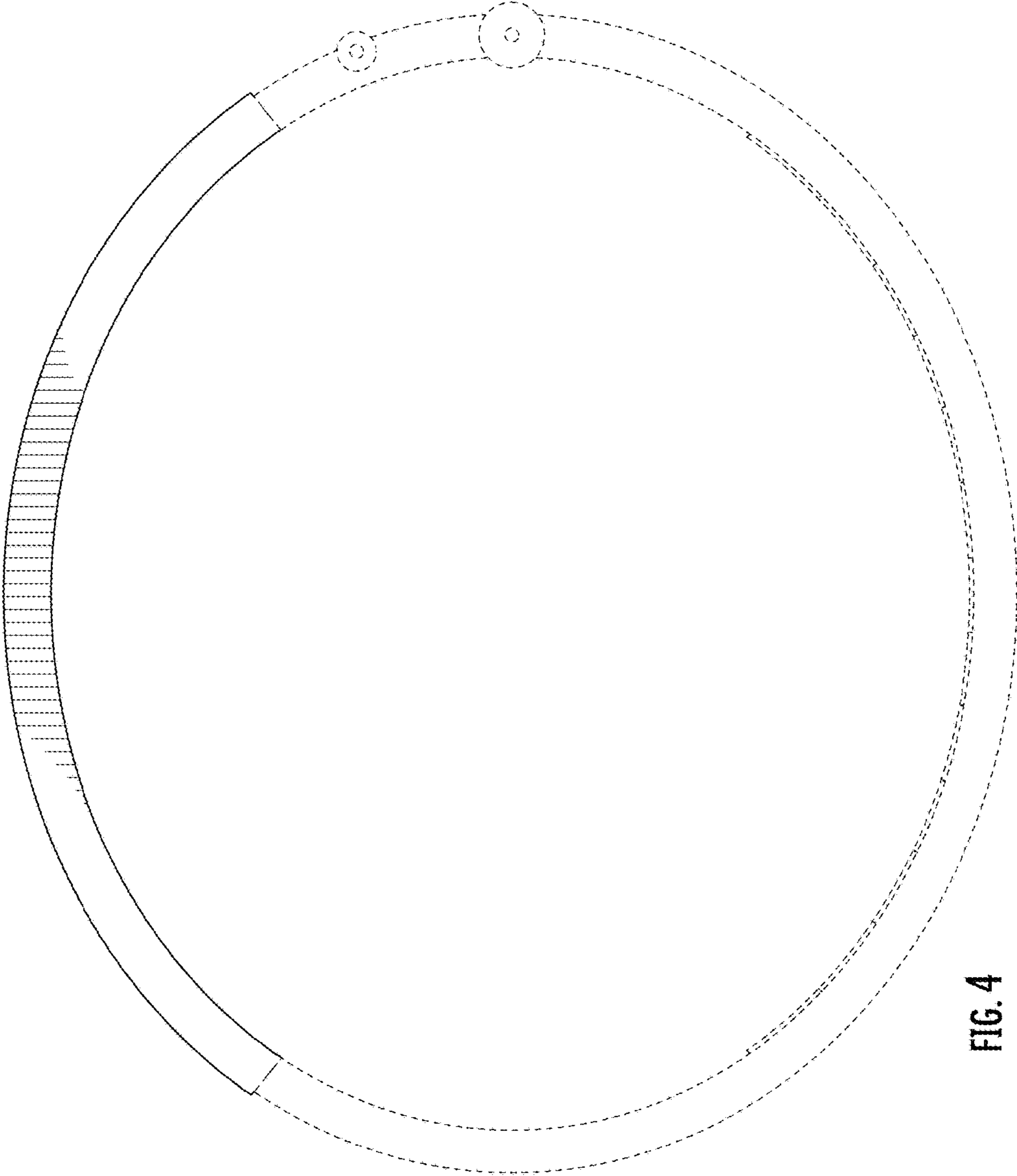


FIG. 4

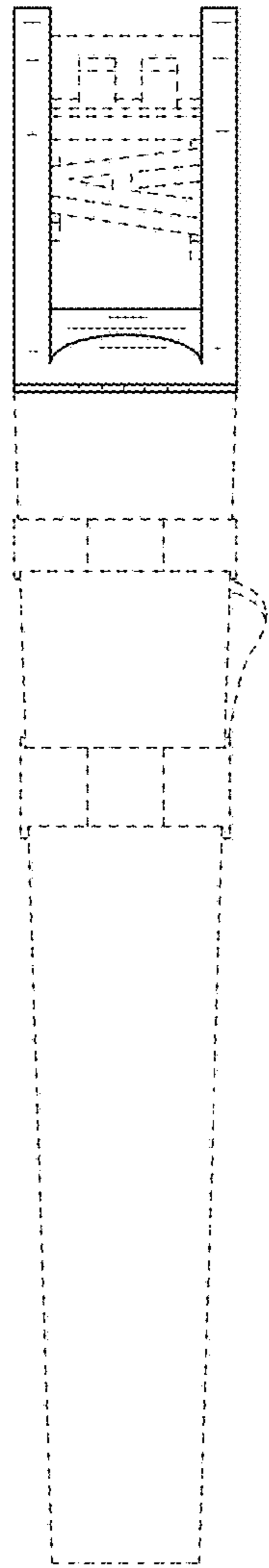


FIG. 5

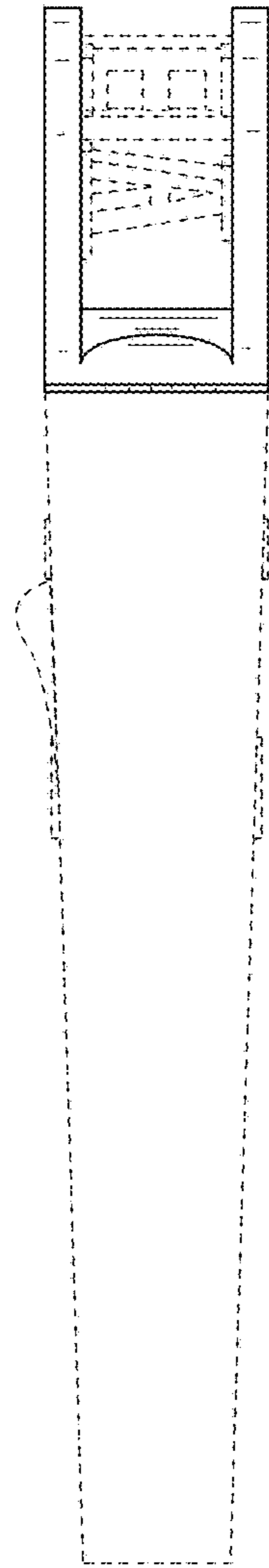


FIG. 6

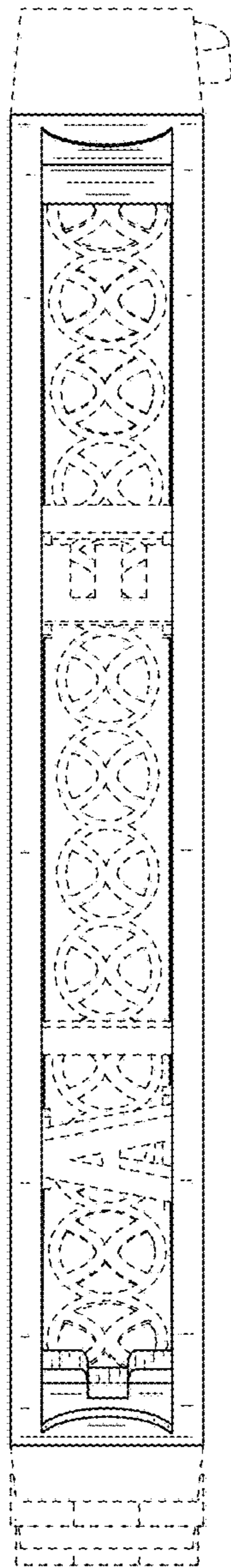


FIG. 7

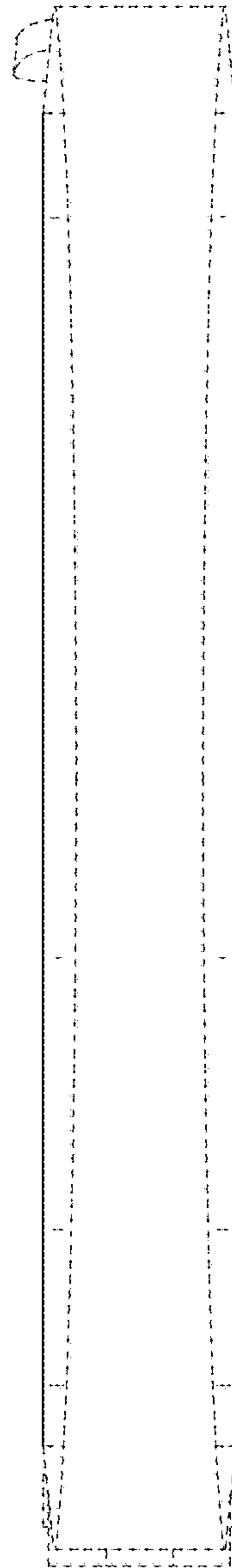


FIG. 8

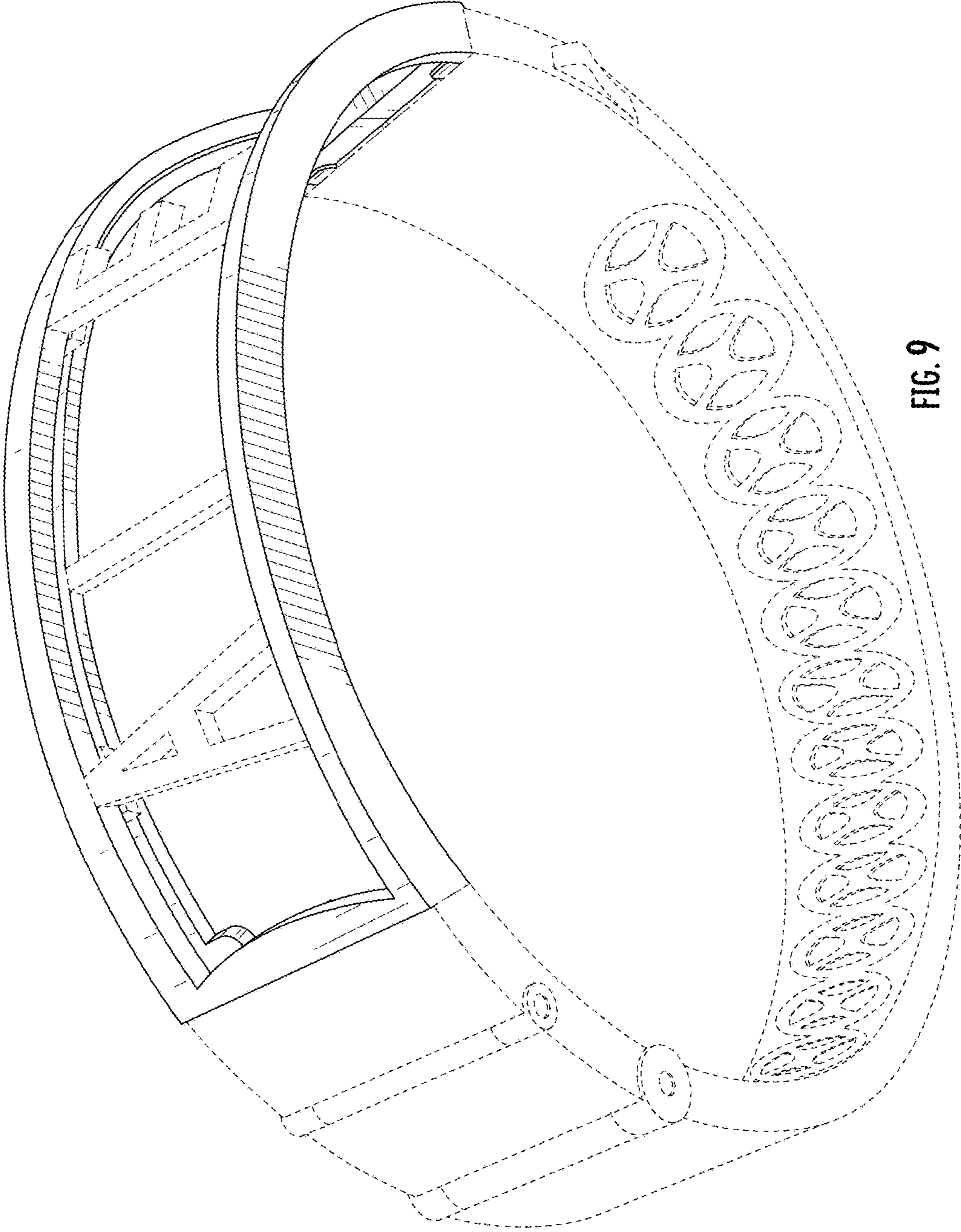


FIG. 9

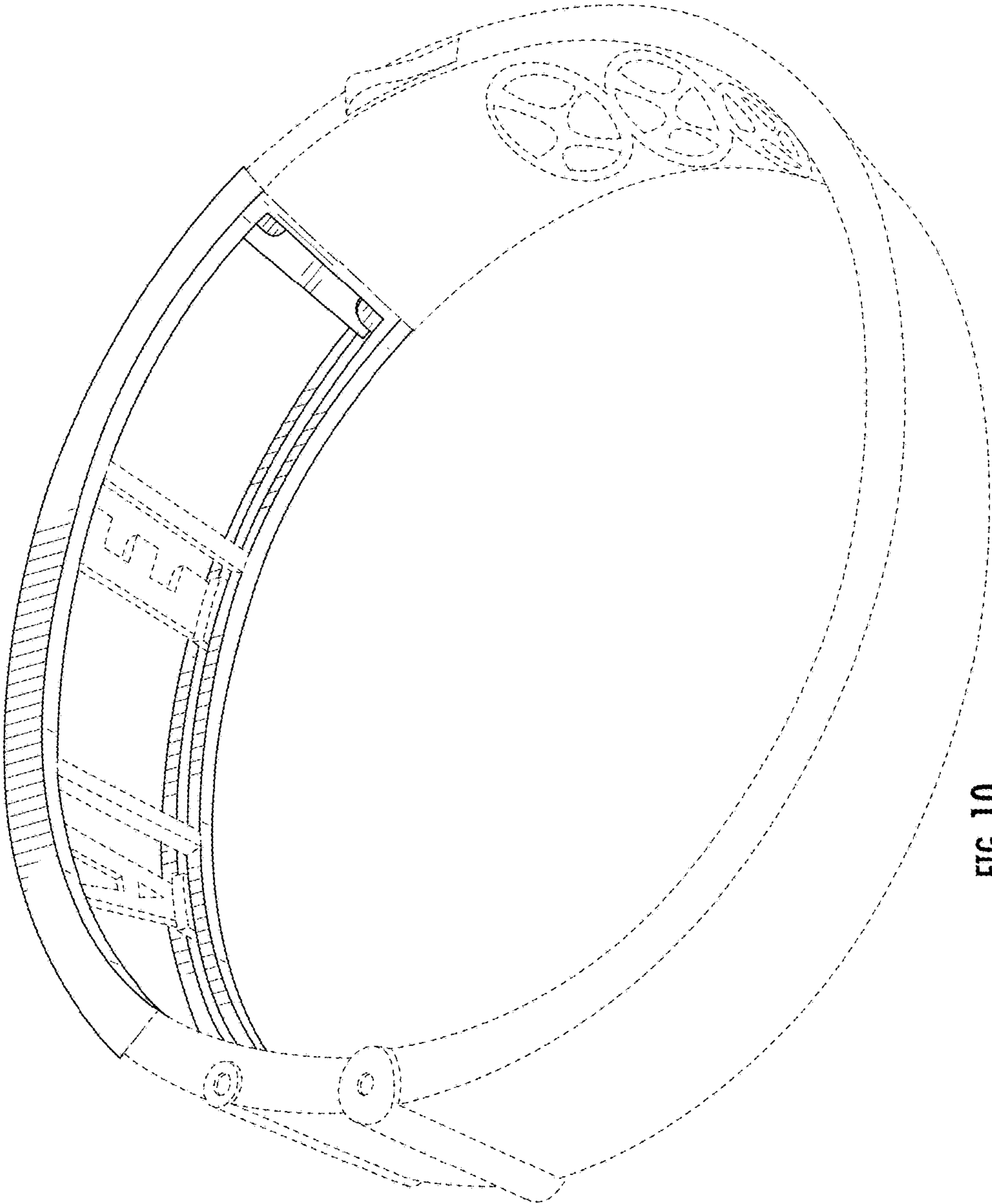


FIG. 10

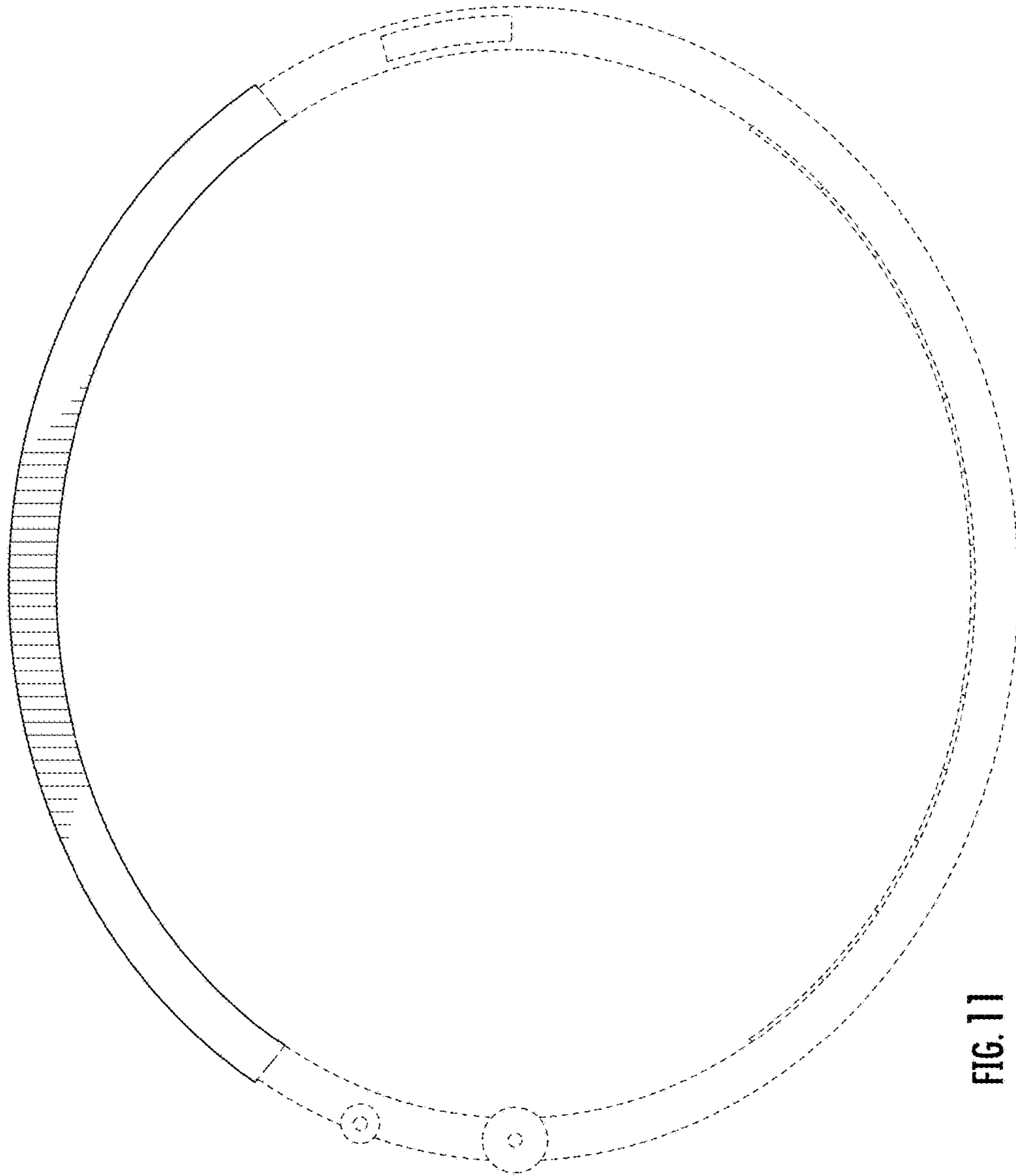


FIG. 11

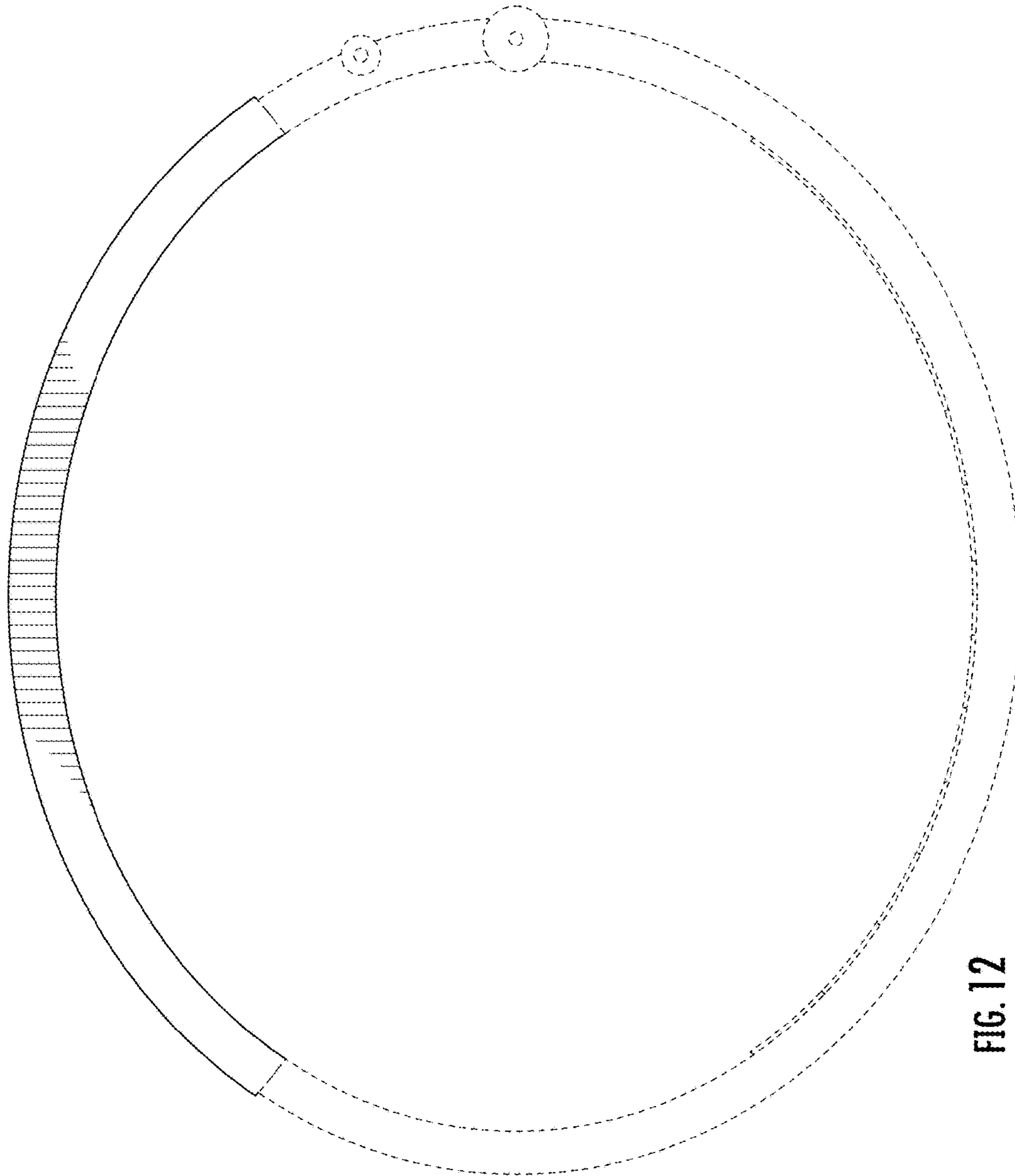


FIG. 12

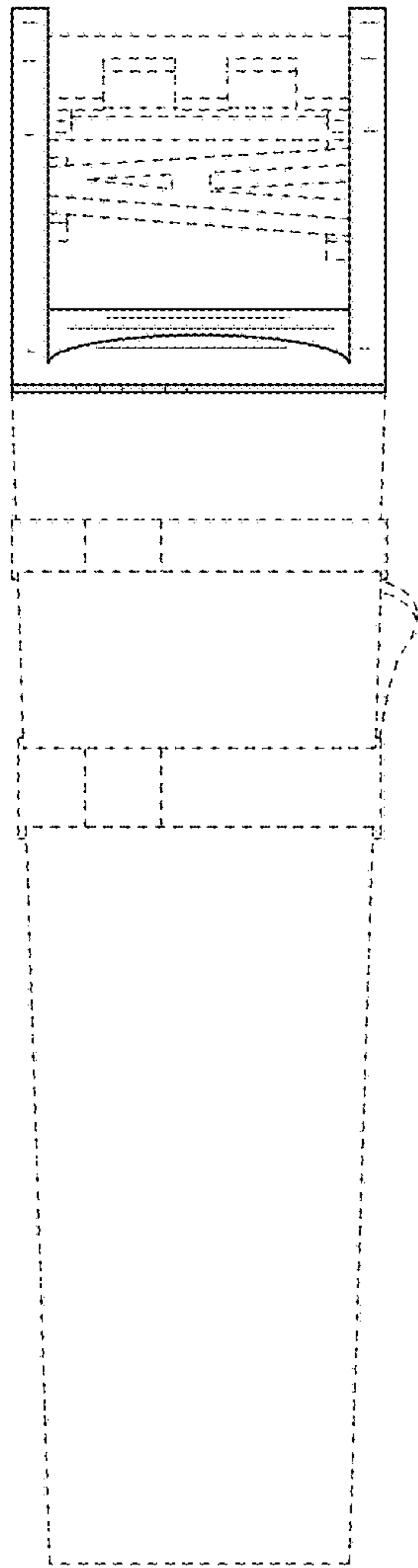


FIG. 13

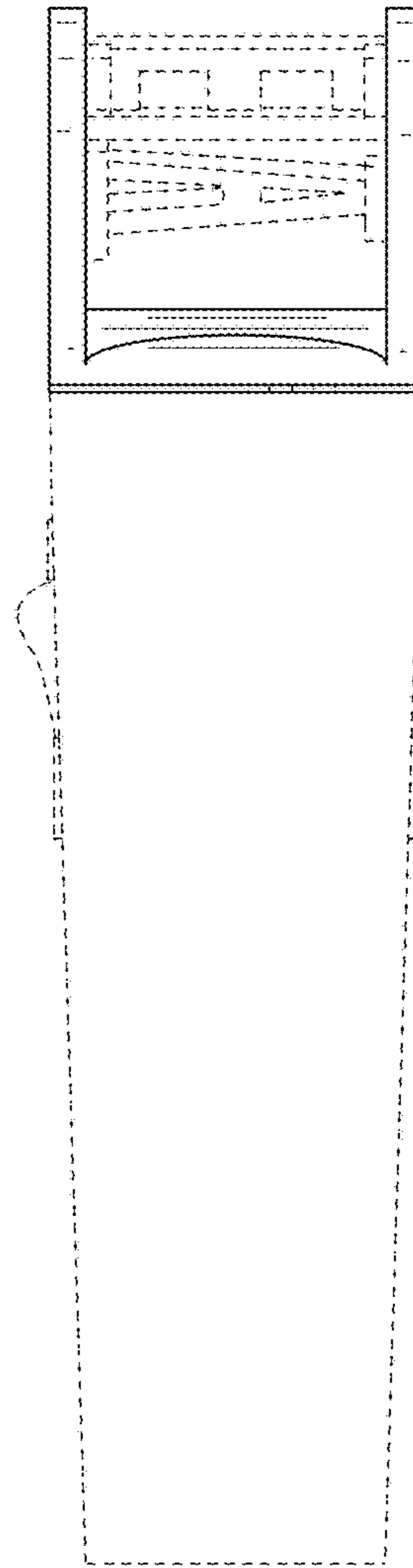


FIG. 14

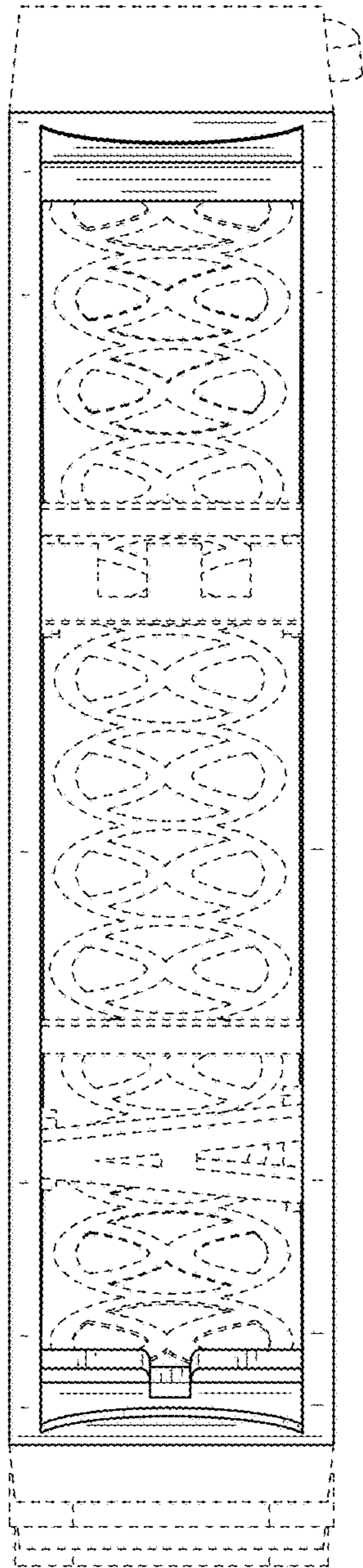


FIG. 15

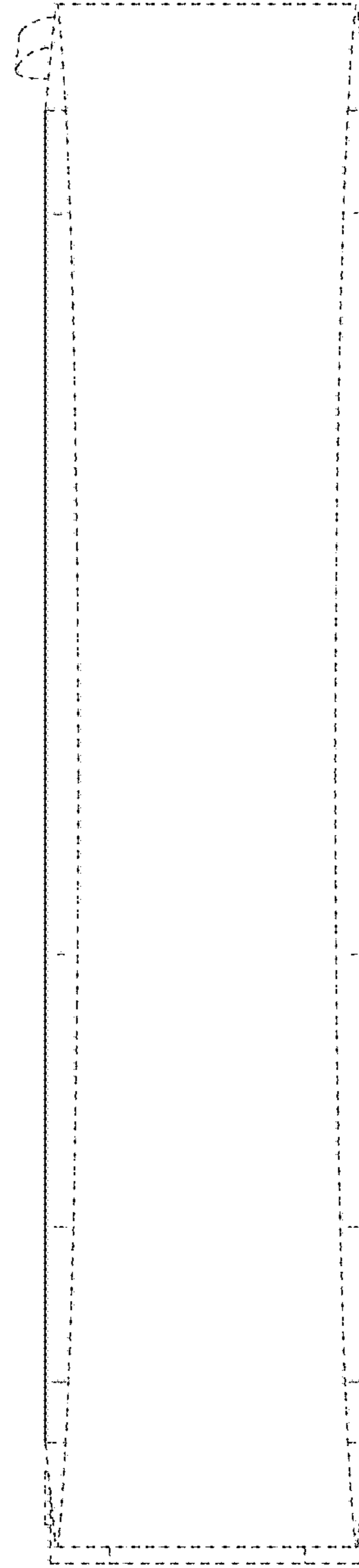


FIG. 16

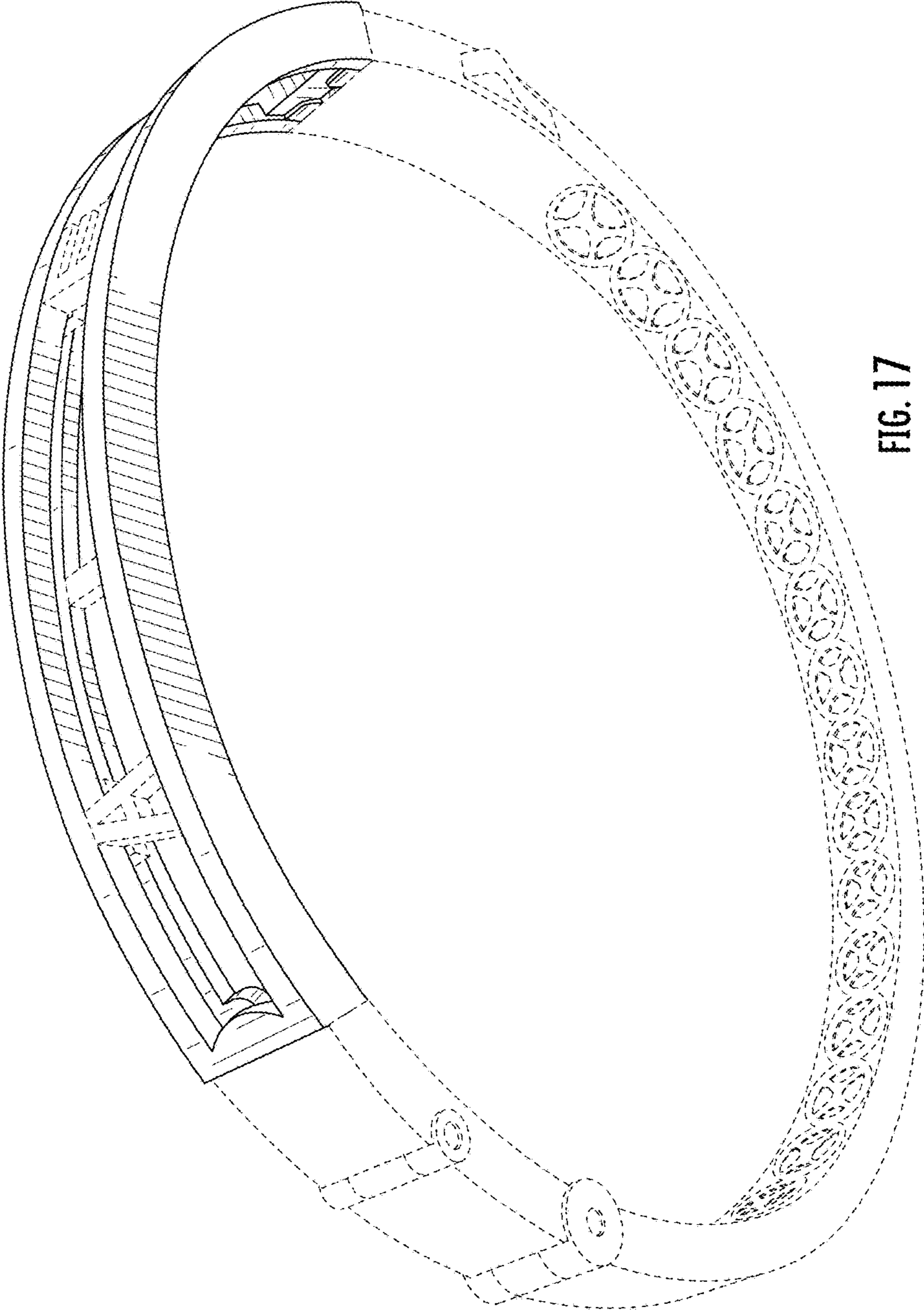


FIG. 17

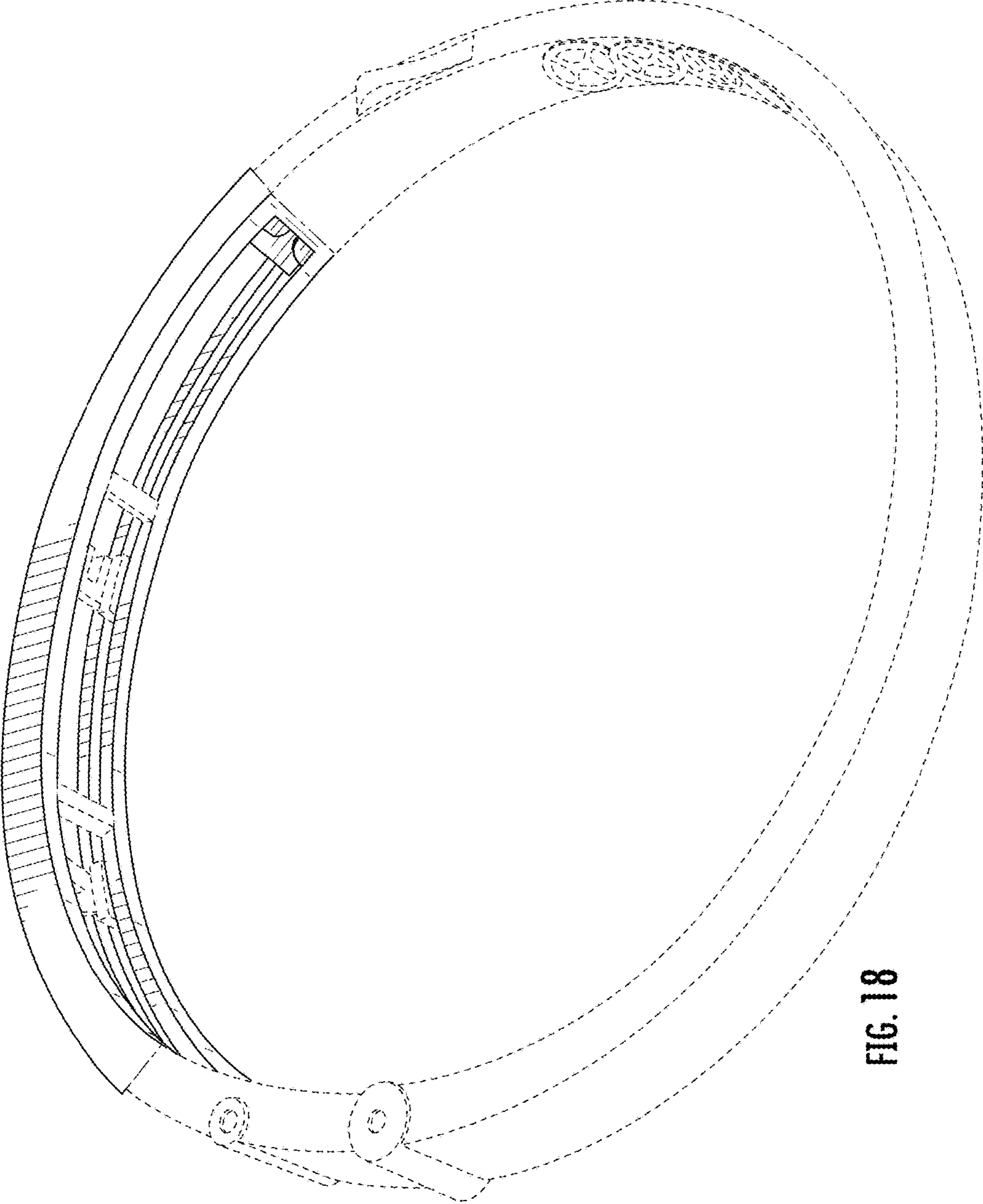


FIG. 18

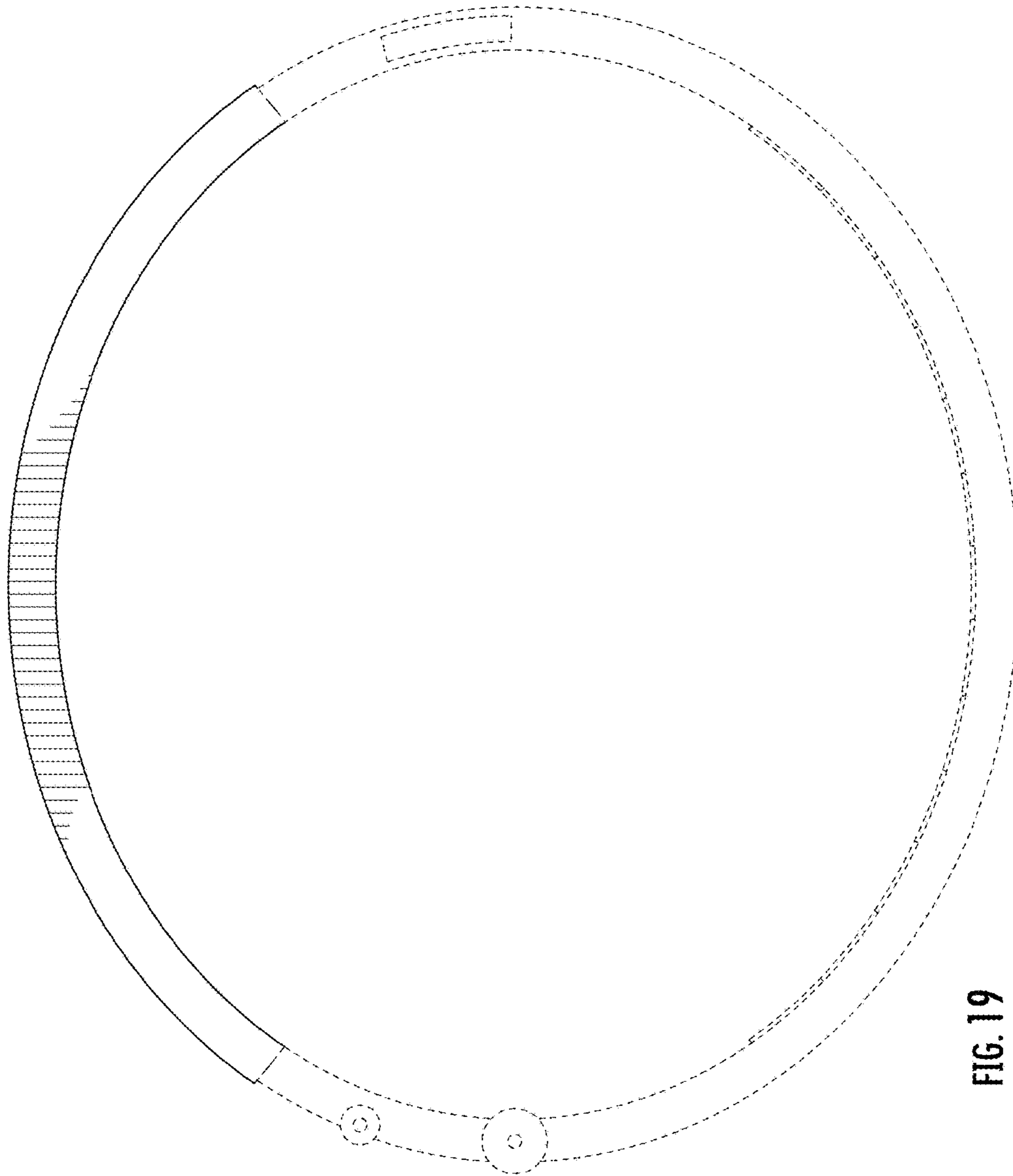


FIG. 19

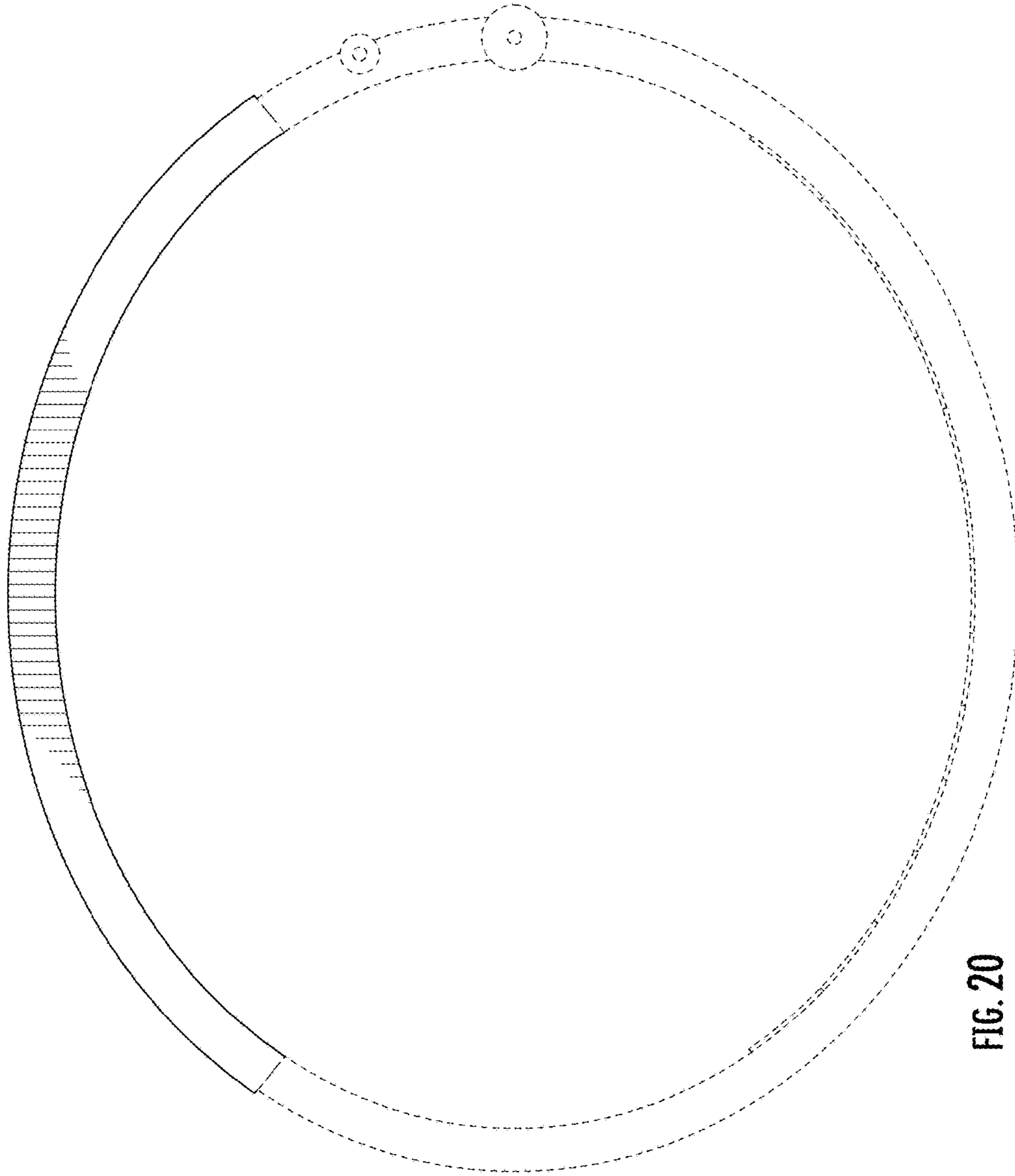


FIG. 20

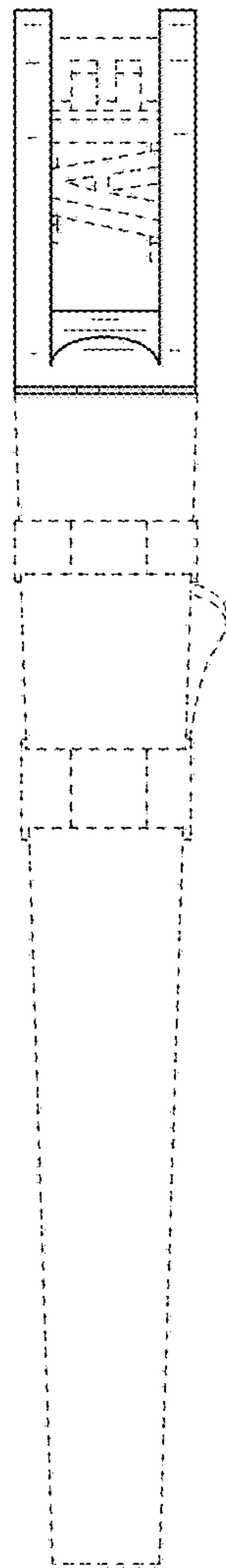


FIG. 21

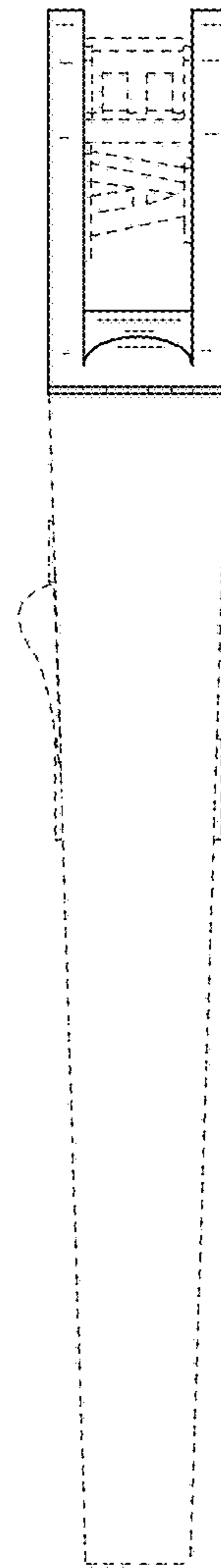


FIG. 22

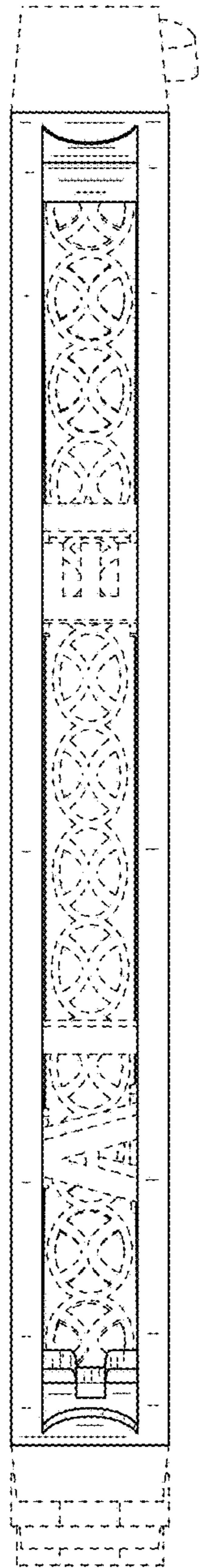


FIG. 23

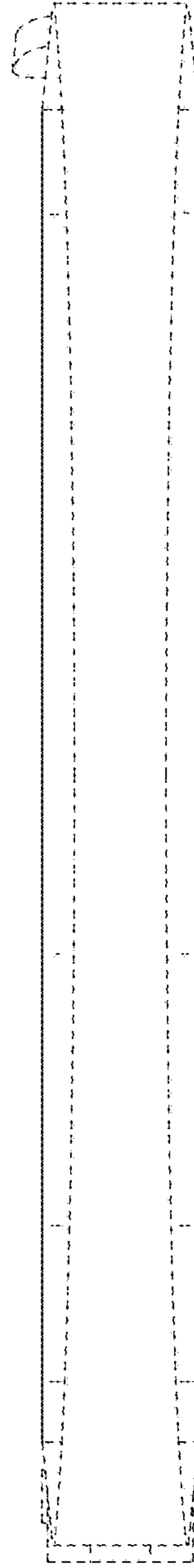


FIG. 24