

US00D866383S

(12) **United States Design Patent** (10) **Patent No.:** **US D866,383 S**  
**Berneron** (45) **Date of Patent:** **\*\* \*Nov. 12, 2019**

- (54) **WATCH DIAL**
- (71) Applicant: **Richemont International SA,**  
Villars-sur-Glane (CH)
- (72) Inventor: **Sylvain Berneron,** Geneva (CH)
- (73) Assignee: **Richemont International SA,**  
Villars-sur-Glane (CH)
- (\*) Notice: This patent is subject to a terminal disclaimer.
- (\*\*) Term: **15 Years**
- (21) Appl. No.: **29/645,175**
- (22) Filed: **Apr. 24, 2018**
- (51) **LOC (12) Cl.** ..... **10-07**
- (52) **U.S. Cl.**  
USPC ..... **D10/126**
- (58) **Field of Classification Search**  
USPC ..... D10/1-3, 30-39, 122-129, 131-132  
See application file for complete search history.

D754,017 S *	4/2016	Muller	.....	D10/126
D754,018 S *	4/2016	Ruffieux	.....	D10/126
D755,645 S *	5/2016	Belamich	.....	D10/125
D778,758 S *	2/2017	Ruffieux	.....	D10/126
D801,197 S *	10/2017	Duval	.....	D10/39
D810,602 S *	2/2018	Bode	.....	D10/126
D820,691 S *	6/2018	Duval	.....	D10/38
D839,104 S *	1/2019	Duval	.....	D10/38

**OTHER PUBLICATIONS**

Baume Iconic Watch | posted at hodinkee.com May 2018 [online].  
© 2009-2019, Hodinkee Inc. [retrieved Feb. 19, 2019] from Internet: <<https://www.hodinkee.com/articles/baume-watch-brand-richemont-introducing>> (Year: 2018).\*

\* cited by examiner

*Primary Examiner* — Sandra S Snapp  
*Assistant Examiner* — Katherine Glennon  
(74) *Attorney, Agent, or Firm* — Taft Stettinius & Hollister LLP

(57) **CLAIM**

The ornamental design for a watch dial, as shown and described.

**DESCRIPTION**

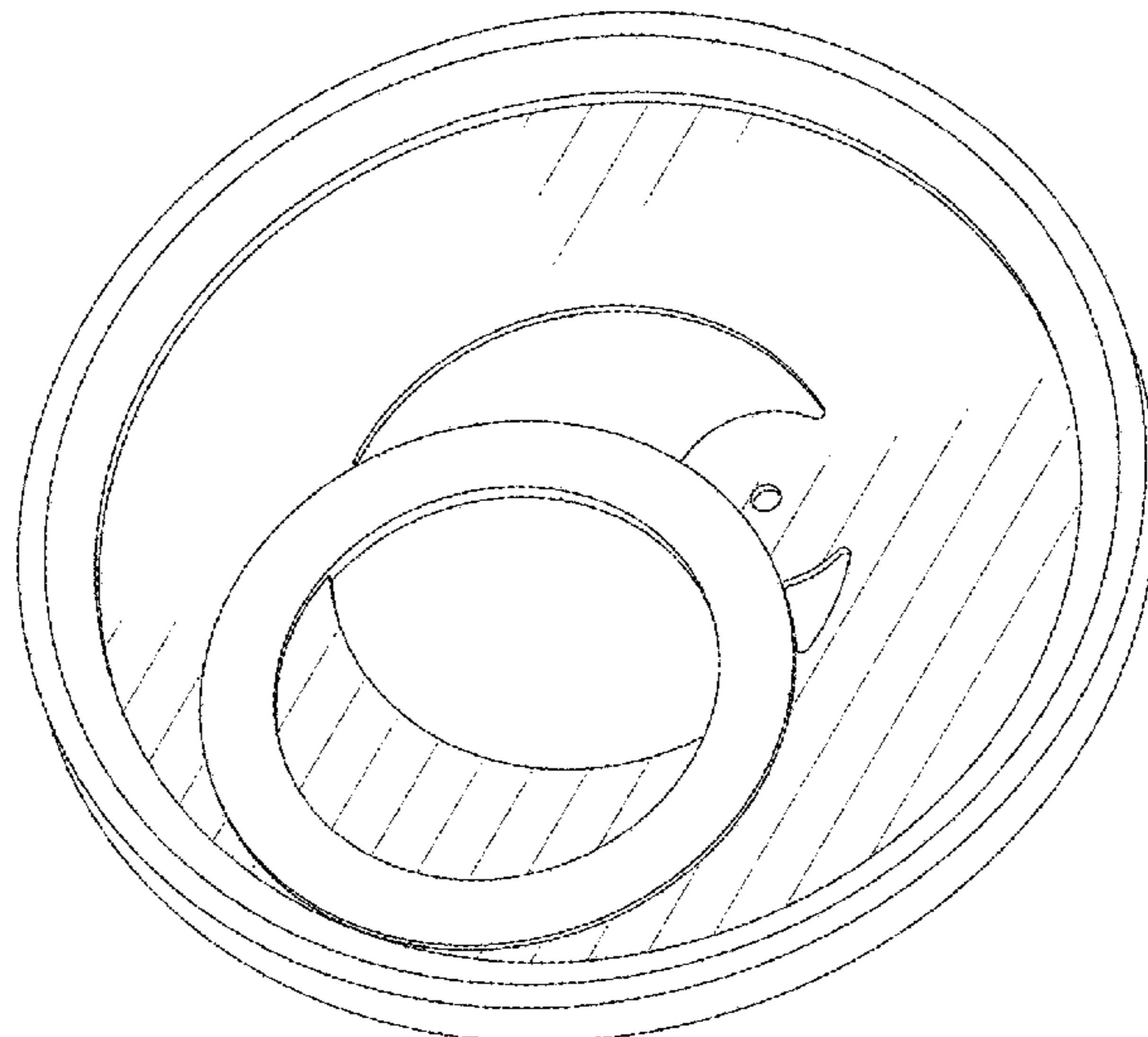
FIG. 1 is a front elevational view of a watch dial showing my new design;  
FIG. 2 is a back elevational view thereof;  
FIG. 3 is a right side elevational view thereof;  
FIG. 4 is a left side elevational view thereof;  
FIG. 5 is a bottom plan view thereof;  
FIG. 6 is a top plan view thereof;  
FIG. 7 is a front, right side perspective view thereof; and,  
FIG. 8 is a back, left side perspective view thereof.

**1 Claim, 8 Drawing Sheets**

(56) **References Cited**

U.S. PATENT DOCUMENTS

D513,710 S *	1/2006	Nataf	.....	D10/126
D632,200 S *	2/2011	Kauffmann	.....	D10/126
D656,052 S *	3/2012	Bode	.....	D10/126
D665,690 S *	8/2012	Bode	.....	D10/126
D685,279 S *	7/2013	de Haas	.....	D10/126
D717,670 S *	11/2014	Davoli	.....	D10/39
D727,752 S *	4/2015	Laucella	.....	D10/35
D734,177 S *	7/2015	Kamilindi	.....	D10/126
9,075,397 B2 *	7/2015	Girardbille	.....	G04F 7/088
D753,527 S *	4/2016	Ruffieux	.....	D10/126
D753,528 S *	4/2016	Ruffieux	.....	D10/126



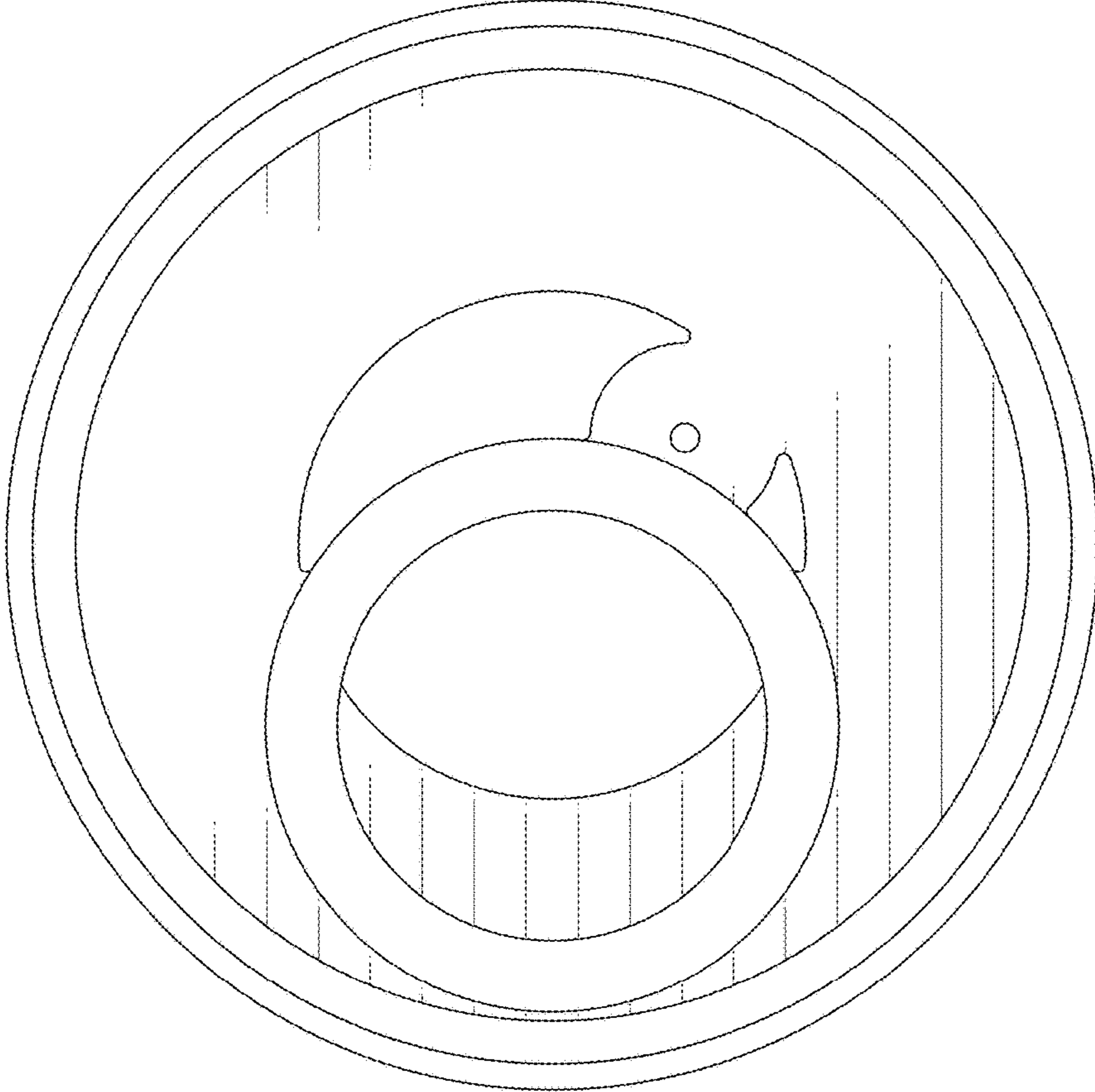


Fig. 1



Fig. 2



Fig. 3



Fig. 4



Fig. 5



Fig. 6

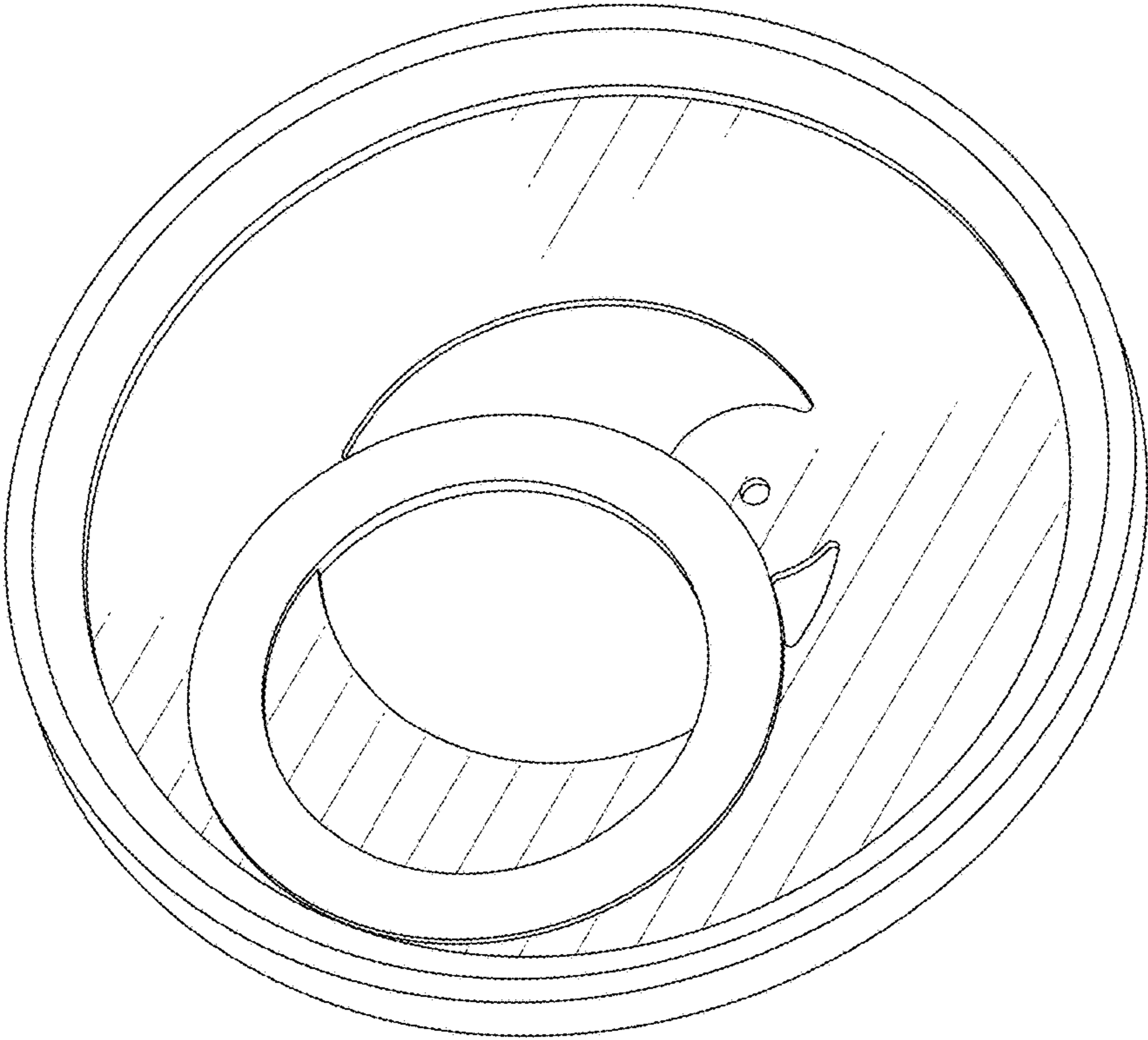


Fig. 7



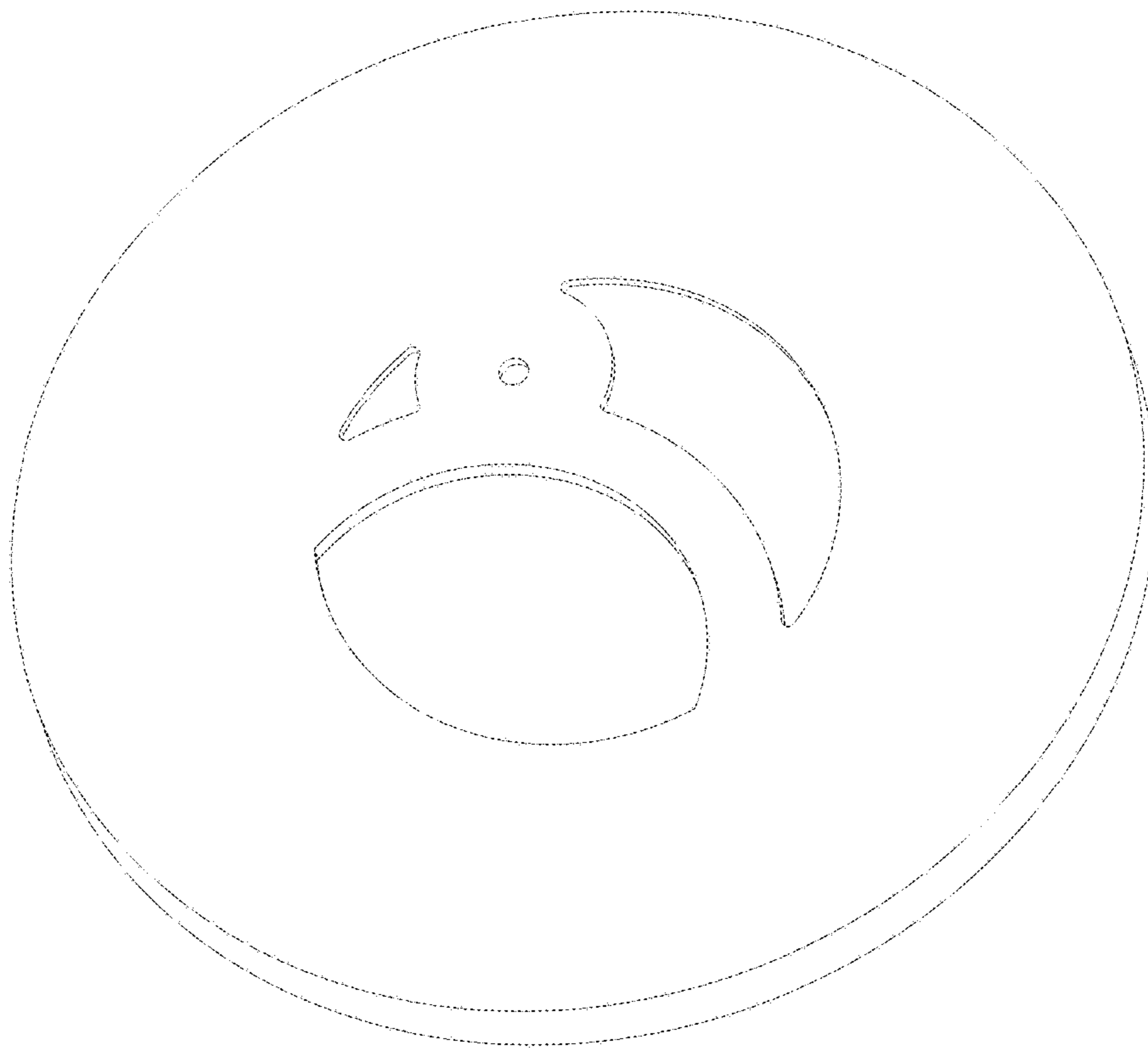


Fig. 8