



US00D866381S

(12) **United States Design Patent** (10) **Patent No.:** **US D866,381 S**
Siminoff et al. (45) **Date of Patent:** **** Nov. 12, 2019**

- (54) **SIREN**
- (71) Applicant: **Ring Inc.**, Santa Monica, CA (US)
- (72) Inventors: **Mark Siminoff**, Mountain View, CA (US); **Spiro Sacre**, Los Angeles, CA (US); **Andrew L. Russell**, Philadelphia, PA (US); **David DiOrio**, Santa Monica, CA (US); **Peter Gerstberger**, Laguna Niguel, CA (US); **Christopher Loew**, Palo Alto, CA (US)
- (73) Assignee: **Amazon Technologies, Inc.**, Seattle, WA (US)
- (**) Term: **15 Years**
- (21) Appl. No.: **29/623,329**
- (22) Filed: **Oct. 24, 2017**
- (51) **LOC (12) Cl.** **10-06**
- (52) **U.S. Cl.**
USPC **D10/120; D10/118.2**
- (58) **Field of Classification Search**
USPC D8/350, 343, 305, 353; D10/46, 104.1, D10/106, 106.5, 106.6, 116.1, 118, 118.1, D10/118.2, 119.1, 120, 121, 124, 126; D13/158, 169, 171, 174; D14/159, 358; D16/202, 203, 208, 209, 215; D25/147, D25/103; D26/72, 85, 88; 200/310; 340/392.1, 384.7, 326, 539.14; 455/41.2
CPC H04M 11/02; H04M 11/025; G08B 3/00; G08B 3/10; G08B 7/00; G08B 7/06
See application file for complete search history.

(56) **References Cited**

U.S. PATENT DOCUMENTS

- D118,987 S * 2/1940 Reinecke D13/171
- D425,534 S * 5/2000 Mutoh D10/106.1

- D427,153 S * 6/2000 Taylor D10/106.1
- D429,696 S * 8/2000 Taylor D10/106.1
- D501,494 S * 2/2005 Ogura D16/202
- D721,113 S * 1/2015 Huang D16/202
- D789,820 S * 6/2017 Siminoff D10/118.2
- D793,268 S * 8/2017 Ye D10/118.2
- D816,141 S * 4/2018 Siminoff D16/203

(Continued)

OTHER PUBLICATIONS

Available Nov. 24, 2018, [online], [site visited Nov. 24, 2018]. Available from Internet, <URL:https://shop.ring.com/products/alarm-motion-detector?variant=56549627723> (Year: 2018).*

(Continued)

Primary Examiner — Cathron C Brooks
Assistant Examiner — Katrina N Gonzalez
(74) *Attorney, Agent, or Firm* — Lathrop Gage LLP

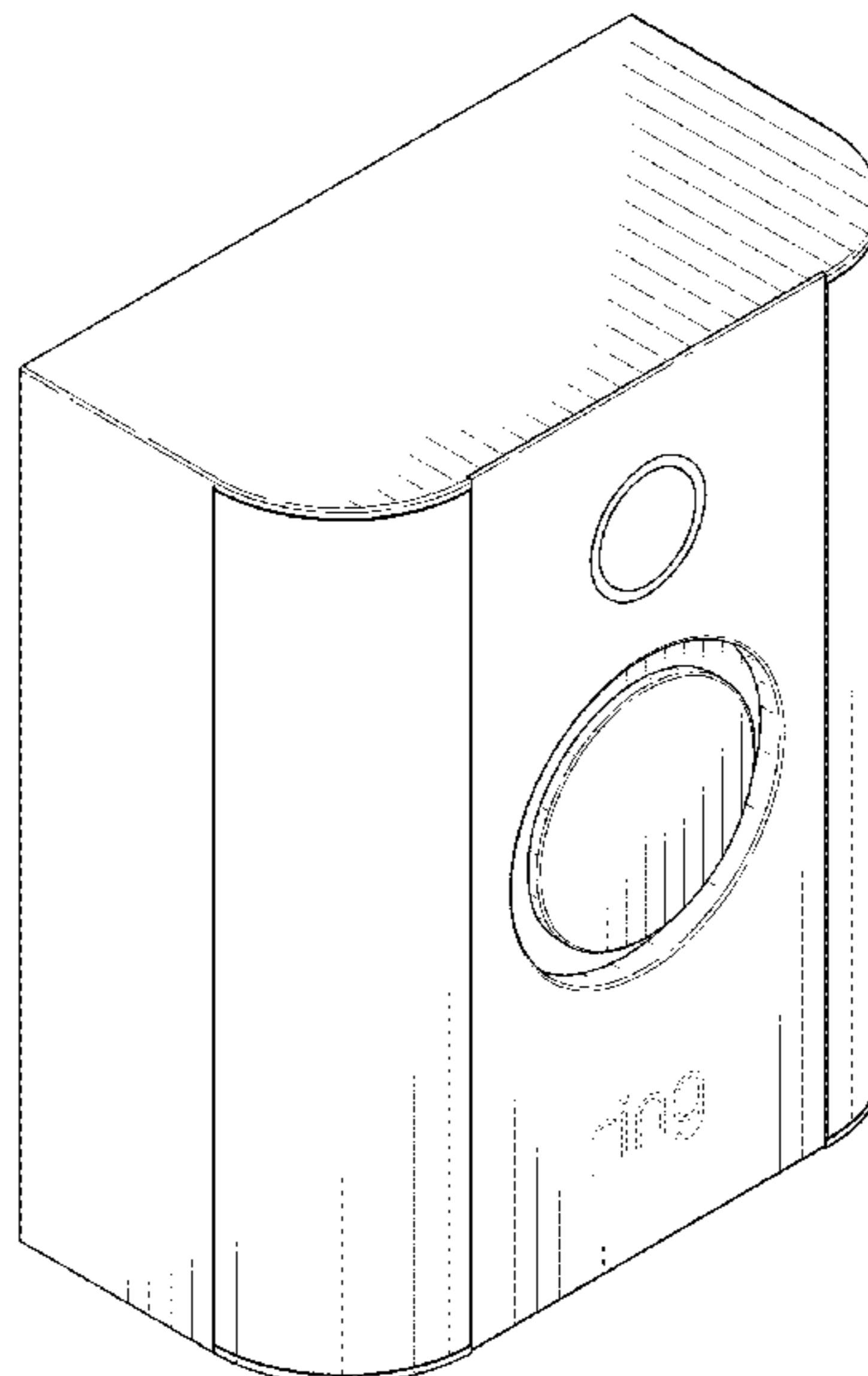
(57) **CLAIM**

The ornamental design for a siren, as shown and described.

DESCRIPTION

FIG. 1 is a front perspective view of the siren according to the present design; FIG. 2 is a front elevational view of the siren of FIG. 1; FIG. 3 is a rear elevational view of the siren of FIG. 1; FIG. 4 is a left-side elevational view of the siren of FIG. 1; FIG. 5 is a right-side elevational view of the siren of FIG. 1; FIG. 6 is a top plan view of the siren of FIG. 1; and, FIG. 7 is a bottom plan view of the siren of FIG. 1. In the drawings, the broken lines showing the ring logo illustrate environmental structure that forms no part of the claimed design. The dash-dash broken lines shown in FIG. 3 illustrate portions of the siren that form no part of the claimed design. The dash-dot broken lines represent the bounds of the claim and form no part of the claimed design.

1 Claim, 6 Drawing Sheets



(56)

References Cited

U.S. PATENT DOCUMENTS

D817,208 S	*	5/2018	Ravat	D10/118.2
D819,476 S	*	6/2018	Siminoff	D10/118.2
D820,137 S	*	6/2018	Siminoff	D10/118.2
D820,707 S	*	6/2018	Siminoff	D10/118.2
D820,708 S	*	6/2018	Siminoff	D10/118.2
D822,518 S	*	7/2018	Siminoff	D10/118.2
D822,519 S	*	7/2018	Siminoff	D10/118.2
D822,520 S	*	7/2018	Siminoff	D10/118.2
D829,585 S	*	10/2018	Siminoff	D10/118.2
D830,871 S	*	10/2018	Siminoff	D10/118.2
D833,313 S	*	11/2018	Siminoff	D10/118.2

OTHER PUBLICATIONS

Available Jul. 8, 2018, [online], [site visited Dec. 10, 2018].

Available from Internet, <URL:<https://lifehackster.com/tag/ring-alarm/>> (Year: 2018).*

Available Jul. 3, 2018, [online], [site visited Dec. 10, 2018].

Available from Internet, <URL:<https://www.techhive.com/article/3285725/connected-home/ring-alarm-review.html>> (Year: 2018).*

* cited by examiner

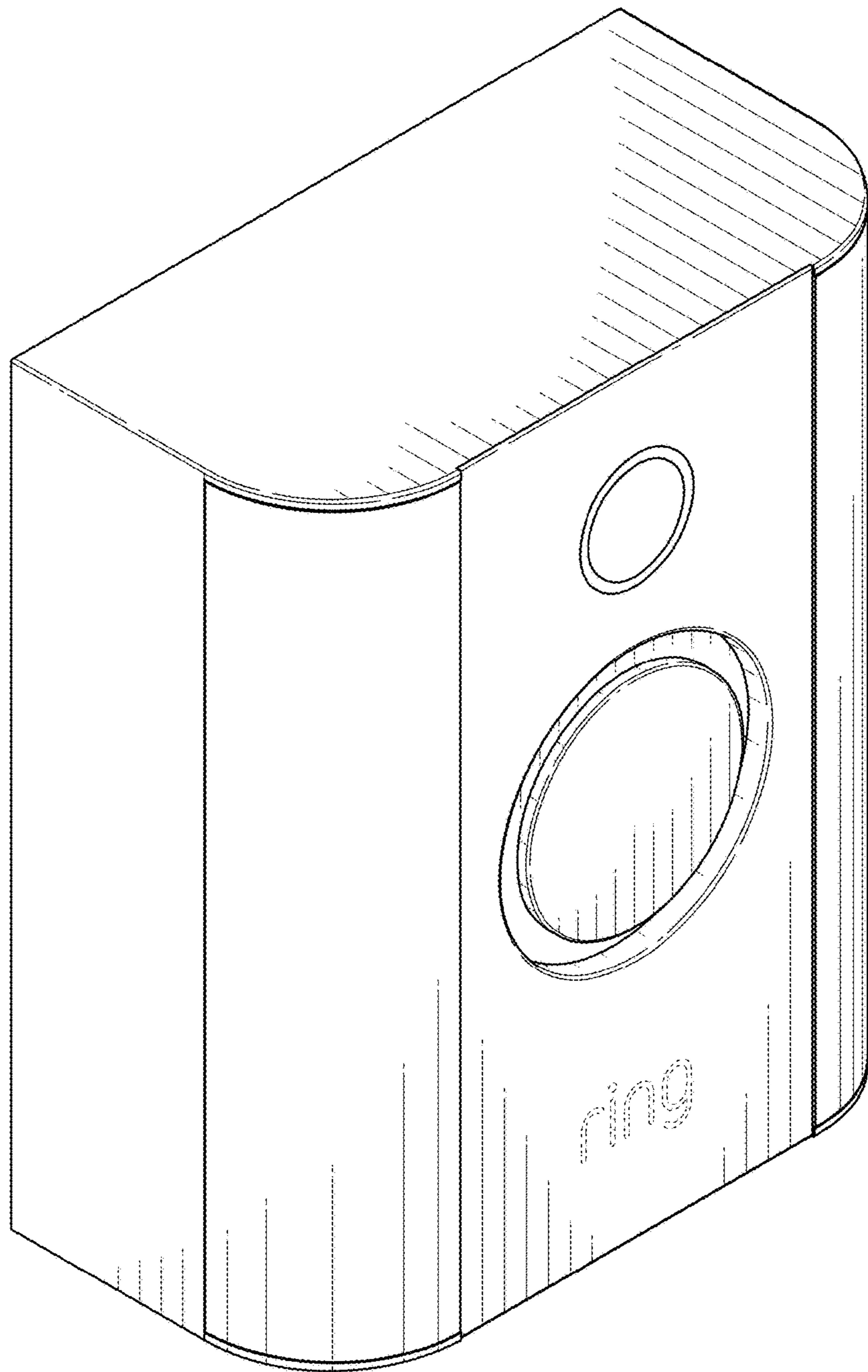


FIG. 1

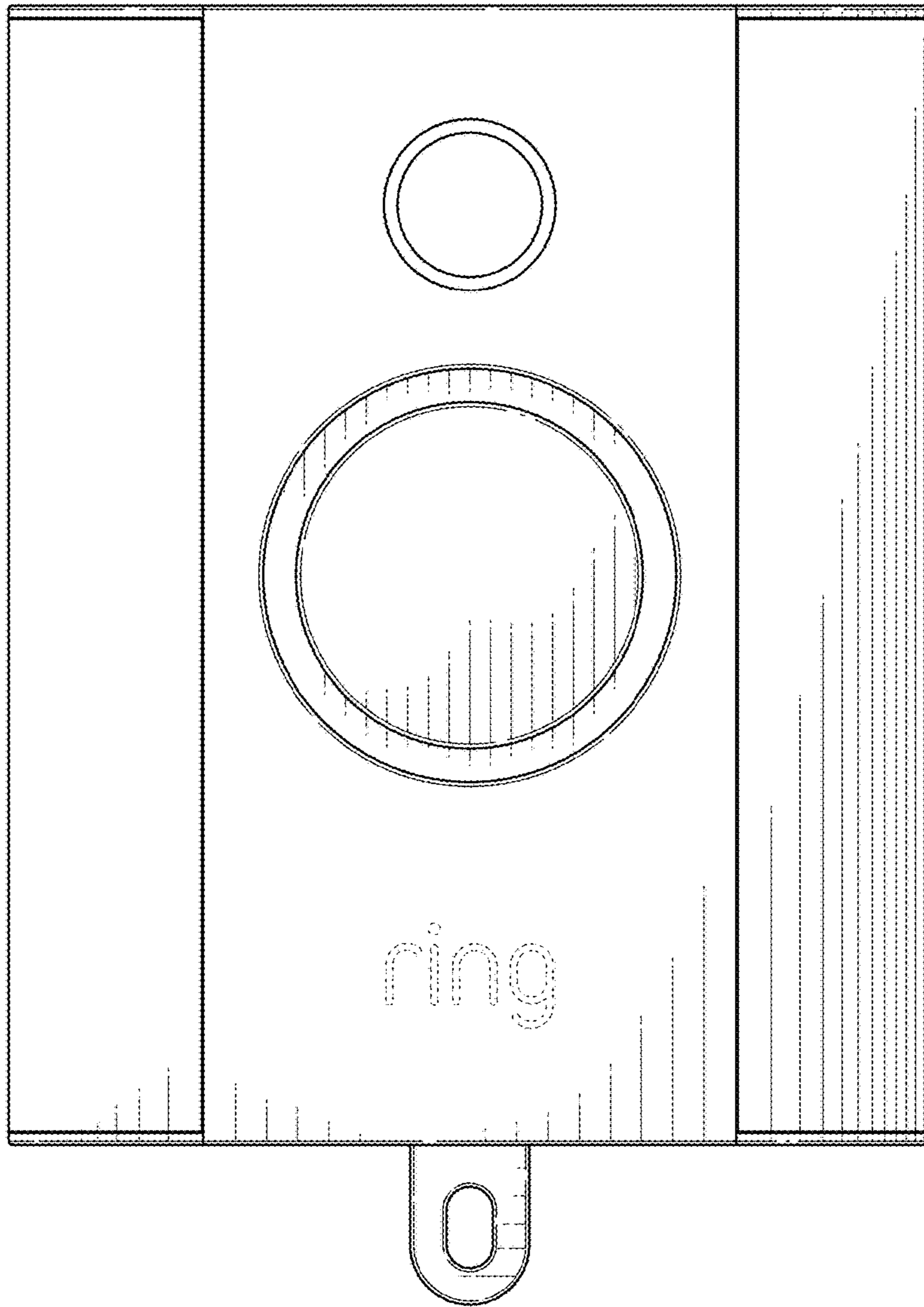


FIG. 2

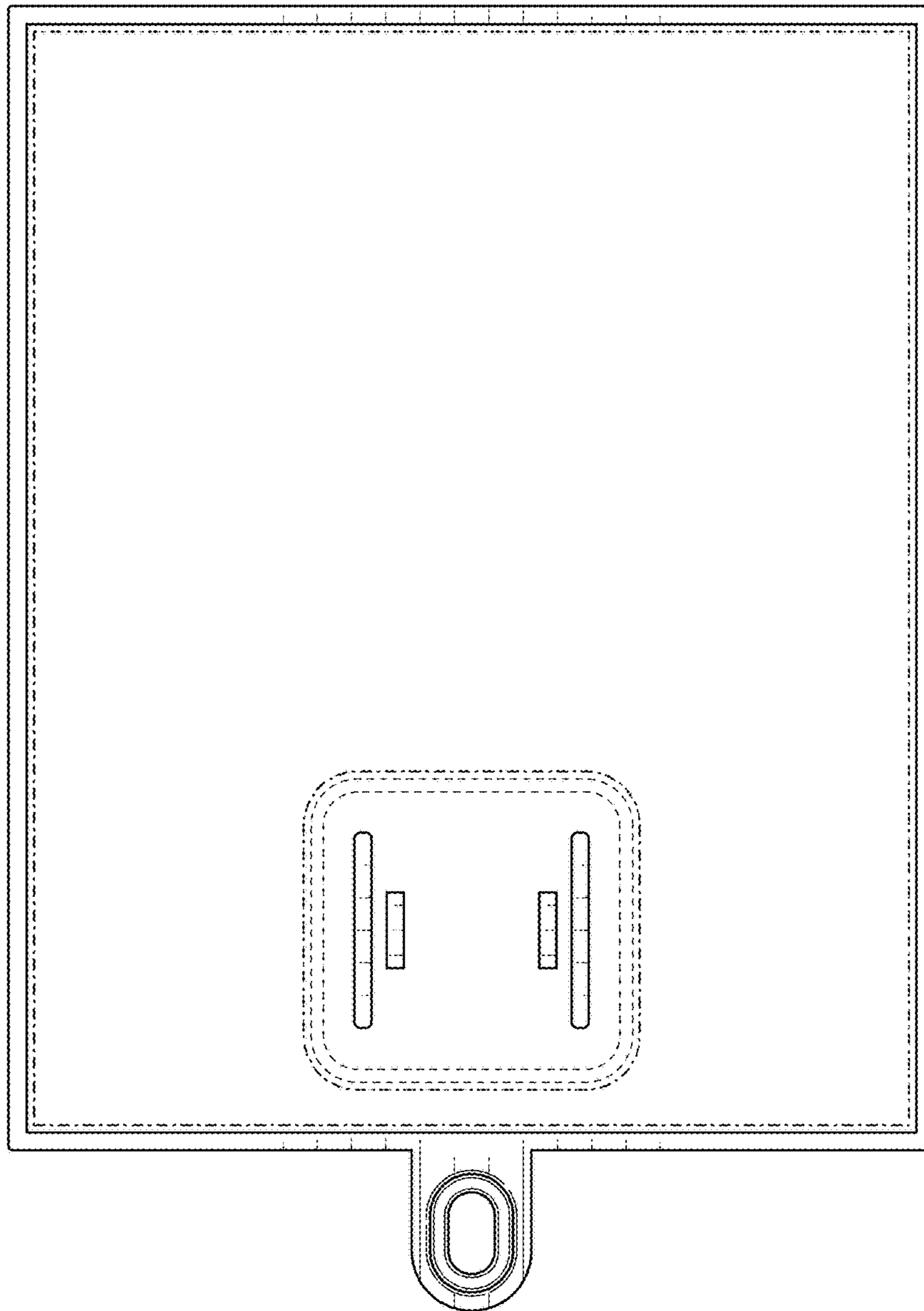


FIG. 3

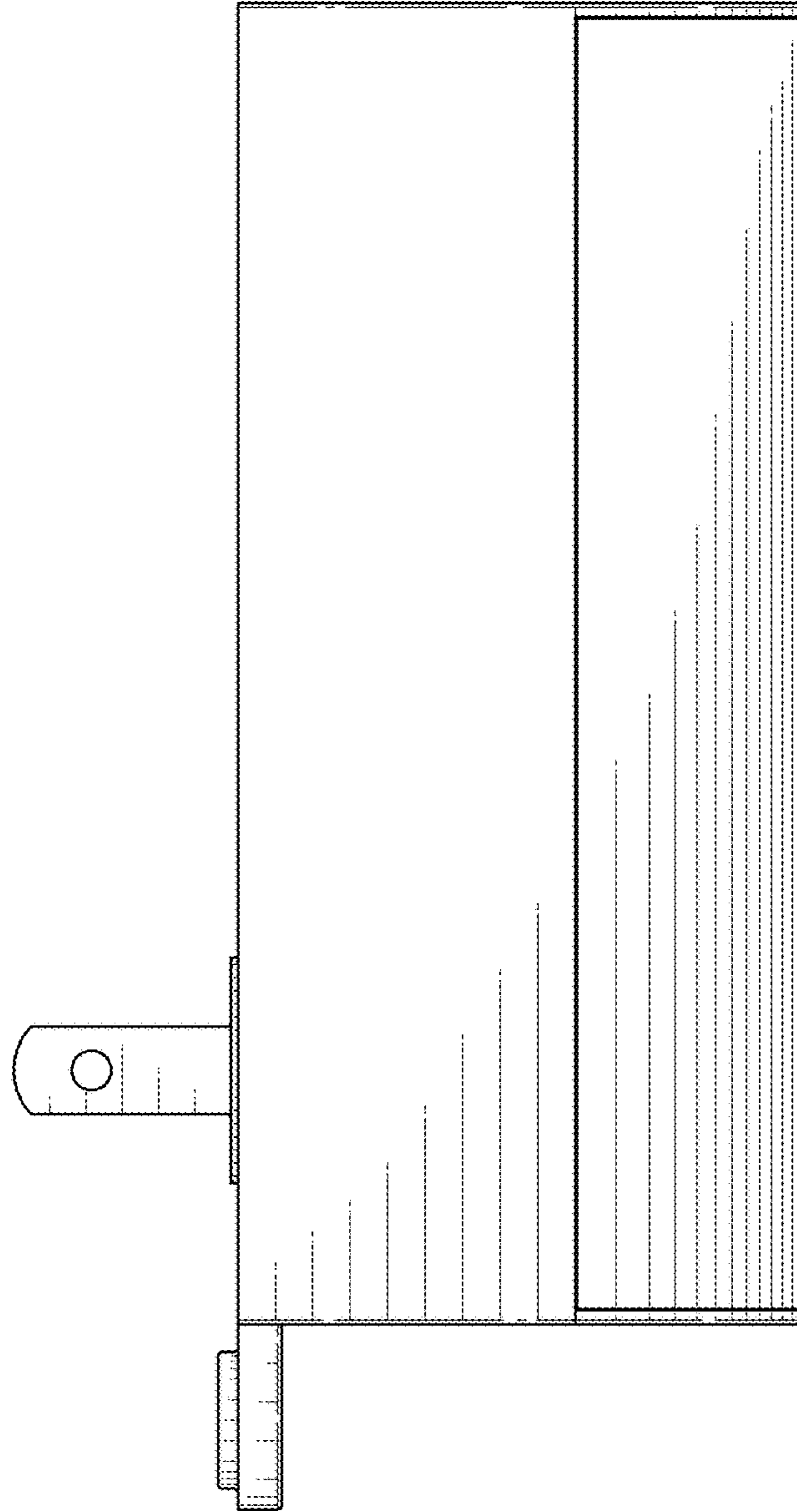


FIG. 4

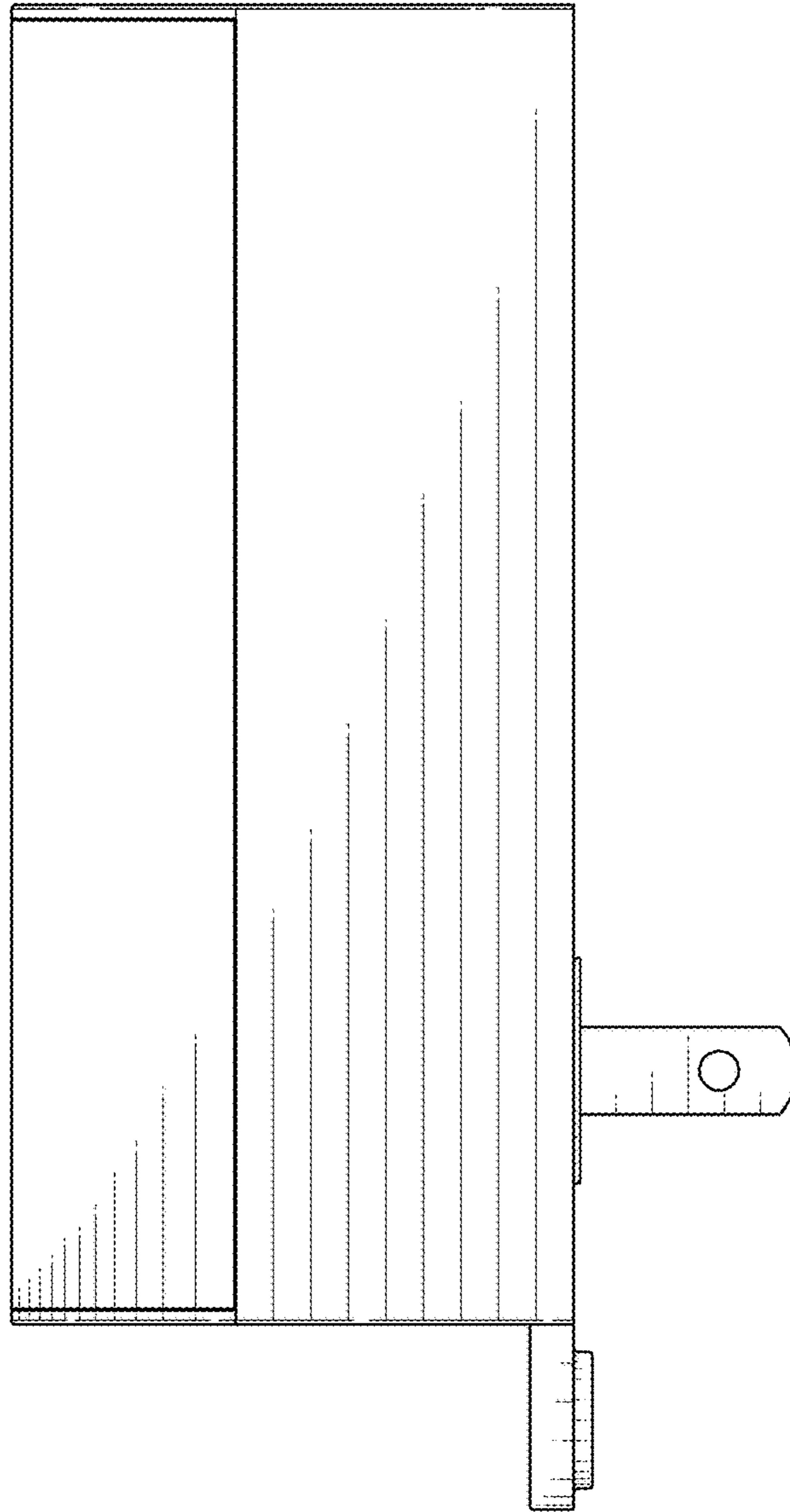


FIG. 5

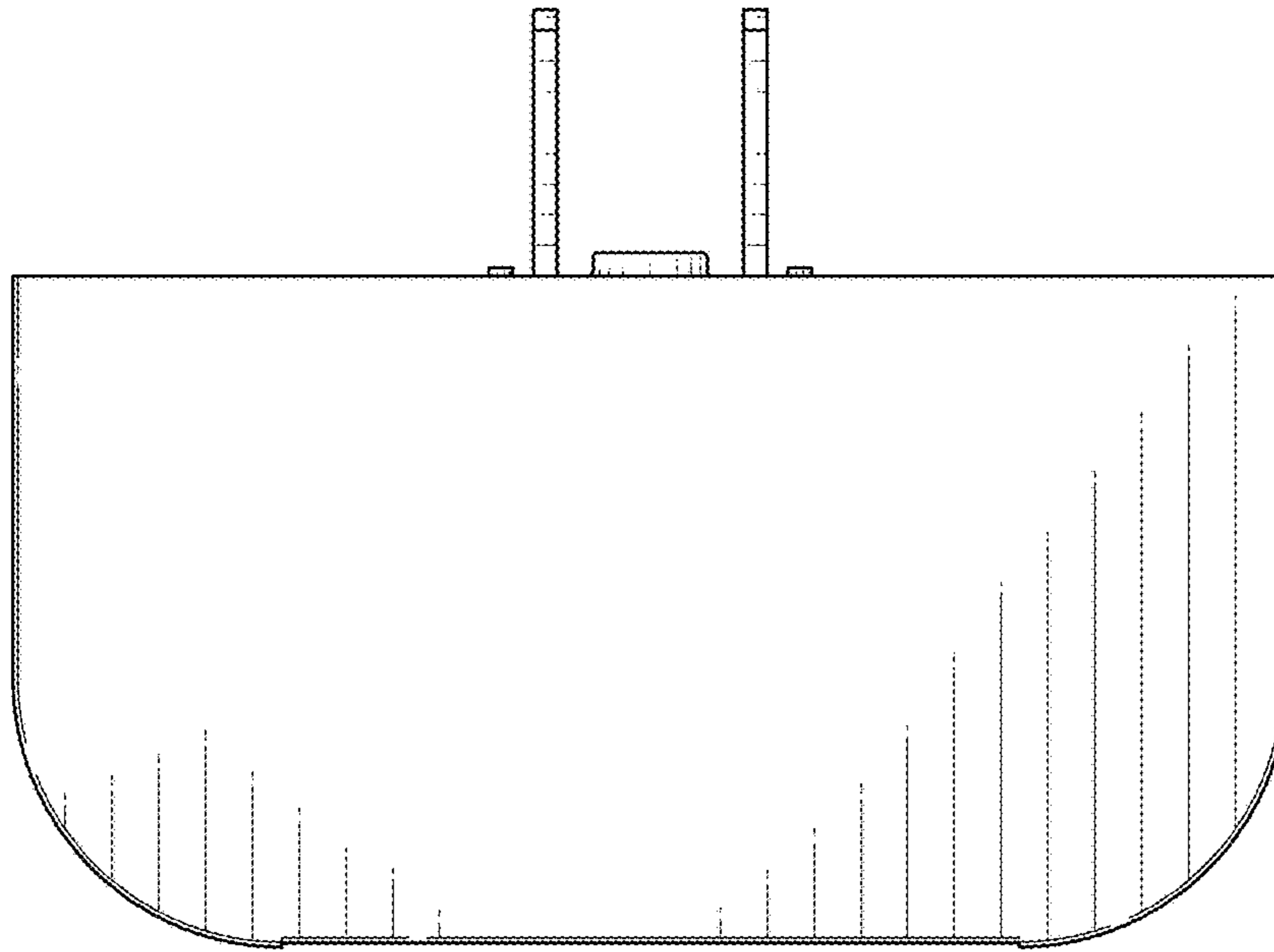


FIG. 6

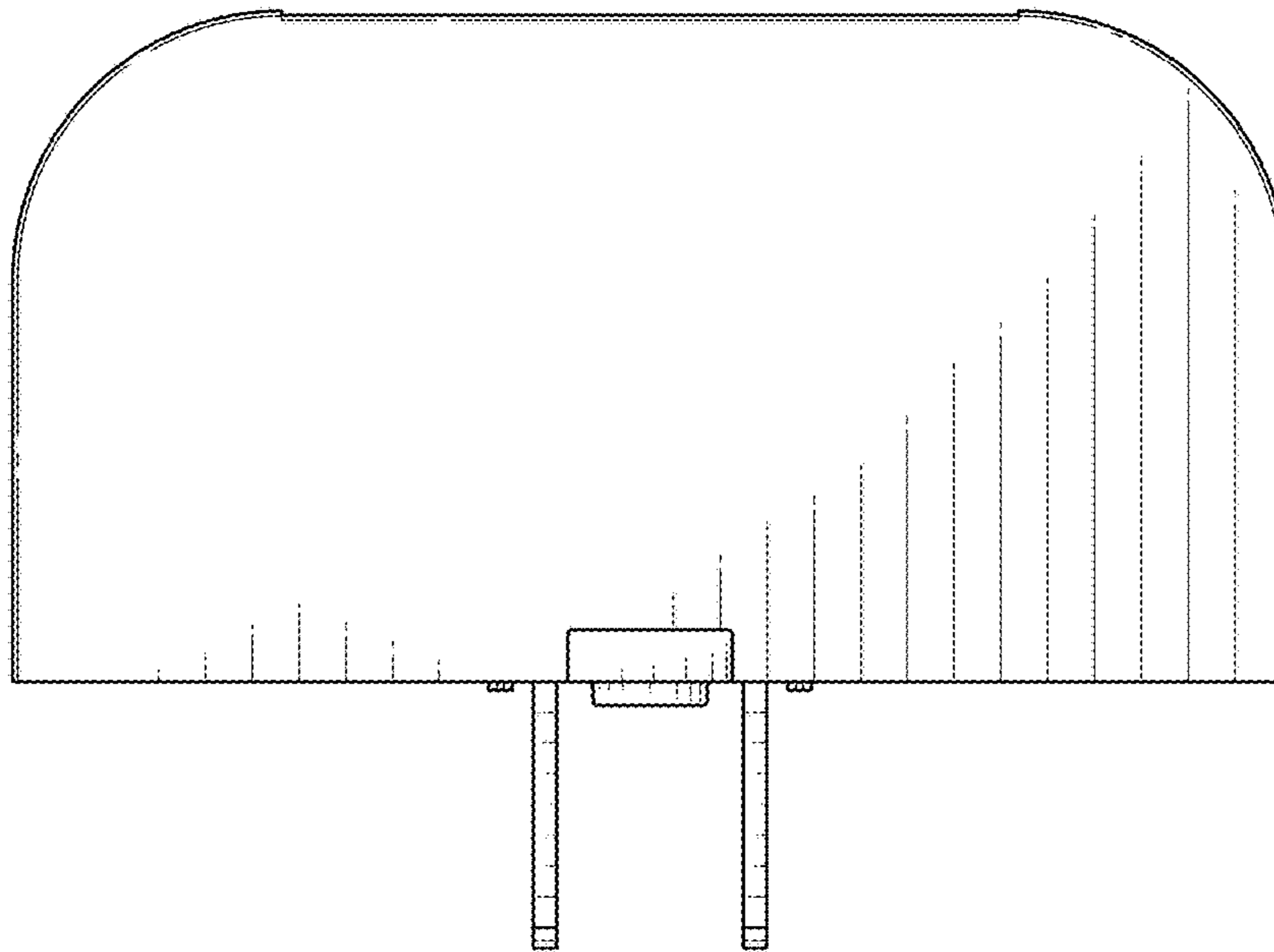


FIG. 7