

US00D866378S

(12) **United States Design Patent** (10) **Patent No.:** **US D866,378 S**
Reimer et al. (45) **Date of Patent:** **** Nov. 12, 2019**

(54) **WIRELESS CONTACT TRANSMITTER**

FOREIGN PATENT DOCUMENTS

(71) Applicant: **Robert Bosch GmbH**, Stuttgart (DE)

CN 301659891 4/2011

(72) Inventors: **Michael Earl Reimer**, Batavia, NY (US); **James Bruce Thornton**, Webster, NY (US); **Robert Edwin Walters**, Webster, NY (US)

OTHER PUBLICATIONS

“Optex Wireless 2000 Door Window” available Sep. 4, 2009, [online], [site visited May 20, 2019]. Retrieved from Internet, <URL:https://www.amazon.com/Optex-Wireless-Window-Contact-Transmitter/dp/B002NZVAZE/ref=sr_1_7?keywords=wireless+contact+transmitter&qid=1558392828&s=hi&sr=1-7> (Year: 2009).*

(73) Assignee: **Robert Bosch GmbH**, Stuttgart (DE)

(Continued)

(**) Term: **15 Years**

(21) Appl. No.: **29/665,576**

Primary Examiner — Michael C Stout

Assistant Examiner — Katrina N Gonzalez

(22) Filed: **Oct. 4, 2018**

(74) *Attorney, Agent, or Firm* — Michael Best & Friedrich LLP

Related U.S. Application Data

(62) Division of application No. 29/572,118, filed on Jul. 25, 2016, now Pat. No. Des. 833,311.

(51) **LOC (12) Cl.** **10-05**

(52) **U.S. Cl.**
USPC **D10/106.6**

(58) **Field of Classification Search**
USPC D10/104.1, 104.2, 105, 106.1, 106.2, D10/106.3, 106.4, 106.5, 106.6, 106.7, D10/106.8, 106.9, 106.91, 106.92, 106.93, D10/106.94, 106.95, 107, 108, 109.1, D10/109.2, 110, 111, 112, 113.1, 113.2, D10/113.3, 113.4, 114.1, 114.2, 114.3, D10/114.4, 114.5, 114.6, 114.7, 114.8,

(Continued)

(56) **References Cited**

U.S. PATENT DOCUMENTS

D613,691 S * 4/2010 Fahrendorff D13/133
D666,934 S 9/2012 Krumpe et al.
D680,014 S 4/2013 Corso et al.
D680,459 S 4/2013 Corso et al.

(Continued)

CLAIM

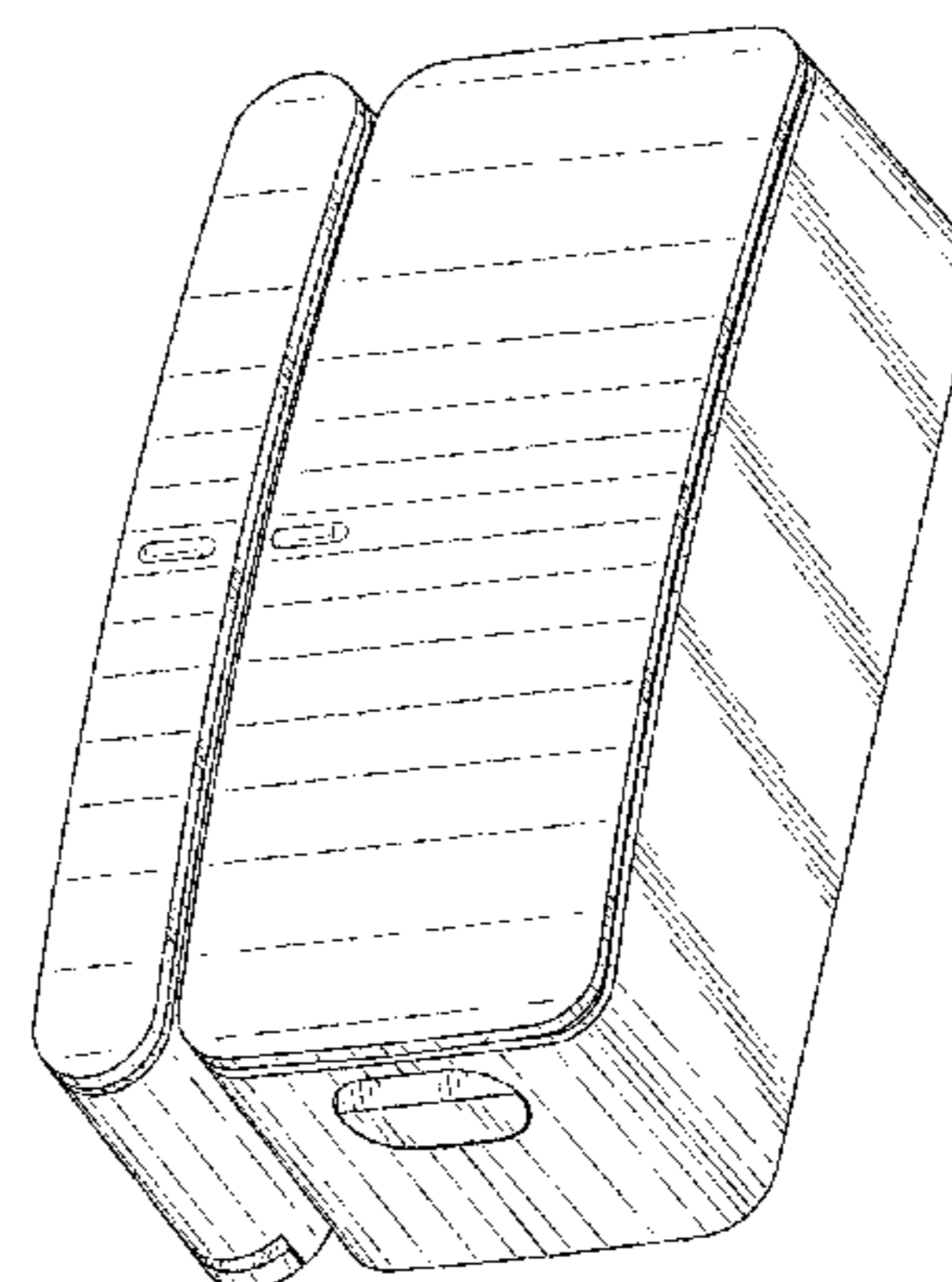
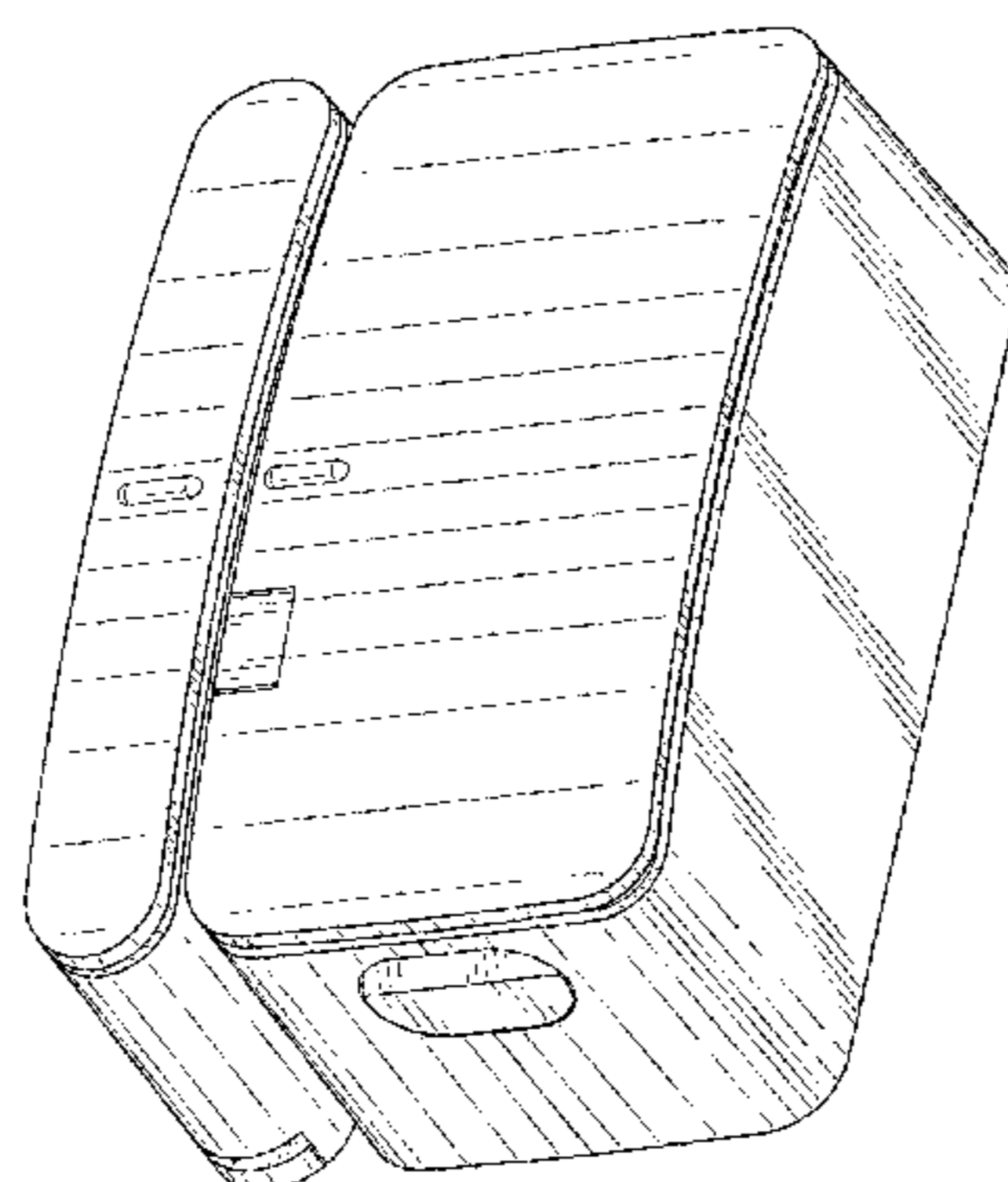
We claim the ornamental design for the wireless contact transmitter, as shown and described.

DESCRIPTION

FIG. 1 is a perspective view of a first embodiment of the wireless contact transmitter;
FIG. 2 is a front view thereof;
FIG. 3 is a back view thereof;
FIG. 4 is a right side view thereof;
FIG. 5 is a left side view thereof;
FIG. 6 is a top view thereof;
FIG. 7 is a bottom view thereof.
FIG. 8 is a perspective view of a second embodiment of the wireless contact transmitter;
FIG. 9 is a front view thereof;
FIG. 10 is a back view thereof;
FIG. 11 is a right side view thereof;
FIG. 12 is a left side view thereof;
FIG. 13 is a top view thereof; and,
FIG. 14 is a bottom view thereof.

The broken lines in the drawings depict portions of the wireless contact transmitter that form no part of the claim.

1 Claim, 12 Drawing Sheets



(58) **Field of Classification Search**

USPC D10/114.9, 115, 116.1, 117, 118, 118.1, D10/118.2, 119.1, 119.2, 119.3, 119.4, D10/120, 121, 46, 50, 51, 52, 53, 54, 55, D10/56, 60, 61, 65, 66, 70, 78, 79, 92, D10/99, 100; D13/125, 134, 158; D14/159; D16/203; D26/72; D8/330, D8/331, 332, 333, 334, 335, 336, 337, D8/338, 339, 340, 341, 342, 343, 396, D8/356, 394; 292/288, 289, 290, 291, 292/292; 70/14, 20, 21, 22, 57, 57.1, 70/284, 285, 286, 314, 266, 277, 271; 340/628, 584, 693.5, 748
 CPC G08B 13/2491; G08B 13/08; E05B 9/00; E05B 9/02; E05B 2009/006; E05B 49/00; E05B 19/00; E05B 15/00; E05B 49/02; E05B 17/00; E05B 3/00; A63H 33/28
 See application file for complete search history.

(56) **References Cited**

U.S. PATENT DOCUMENTS

| | | | |
|-----------------|---------|-----------------|-----------|
| D680,460 S | 4/2013 | Corso et al. | |
| D713,277 S | 9/2014 | Hasegawa et al. | |
| D726,179 S | 4/2015 | Orthey | |
| D744,884 S | 12/2015 | Roberts et al. | |
| D747,228 S | 1/2016 | Fiedler et al. | |
| D757,586 S | 5/2016 | Li | |
| D768,463 S | 10/2016 | Kraus et al. | |
| D778,750 S * | 2/2017 | Phillips | D10/106.9 |
| D787,299 S | 5/2017 | Liu | |
| D788,603 S * | 6/2017 | Liu | D10/102 |
| D788,624 S * | 6/2017 | Iritani | D10/106.5 |
| D805,941 S | 12/2017 | Jou et al. | |
| D818,387 S * | 5/2018 | Chen | D10/118.2 |
| D833,311 S * | 11/2018 | Reimer | D10/106.6 |
| D848,293 S * | 5/2019 | Laurans | D10/70 |
| D848,294 S * | 5/2019 | Laurans | D10/70 |
| 2017/0131356 A1 | 5/2017 | Boury | |

OTHER PUBLICATIONS

“RFMS-ZBMS-3 Wireless sensor 3 pack” available May 20, 2019, [online], [site visited May 20, 2019]. Retrieved from Internet, <URL:https://us.boschsecurity.com/en/products/intrusionalarmsystems/premiseswireless/zigbee/zigbee_products_82633> (Year: 2019).*

Available Jun. 2, 2018, [online], [site visited Jun. 2, 2018]. Available from Internet, <URL:https://simplisafe.com/home-security-system-haven> (Year: 2018).

Available Jun. 2, 2018, [online], [site visited Jun. 2, 2018]. Available from Internet, <URL:https://simplisafe.com/alarm-sensors> (Year 2018).

Available Feb. 15, 2018, [online], [site visited Jun. 2, 2018]. Available from Internet, <URL:https://homealarmreport.com/simplisafe-3-review/sensors-new-vs-old/> (Year: 2018).

Available Apr. 3, 2016, [online], [site visited Jun. 2, 2018]. Available from Internet, <URL:https://web.archive.org/web/20160403044453/http://www.presencepro.com/store/entry-pack> (Year: 2016).

Available Mar. 14, 2018, [online], [site visited Jun. 2, 2018]. Available from Internet, <URL:https://www.amazon.com/dp/8078FVFF93/ref=sspa_dk_detail_4?psc=1&pd_rd_i=8078FVFF93&pd_rd_wg=tLdIv&pd_rd_r=7H2RK62R4W7MTZ3ZTRYJ&pd_rd_w=QzN4s> (Year: 2018).

Available Sep. 12, 2016, [online], [site visited Jun. 2, 2018]. Available from Internet, <URL:https://www.ismartalarm.com/devices/sensors/contact-sensor/ISA00004.html> (Year: 2016).

Available Jun. 2, 2018, [online], [site visited Jun. 2, 2018]. Available from Internet, <URL:https://www.aliexpress.com/item/Gee-kl-ink-Two-Way-Feedback-Door-Sensor-Wireless-Door-Window-Magnet-Entry-Detector-Sensor-For-Thinker-Smart/32758212795.html> (Year: 2018).

Available Jun. 2, 2018, [online], [site visited Jun. 2, 2018]. Available from Internet, <URL:https://sirenmarine.com/collections/wireless-sensors/products/wireless-entry-sensor> (Year 2018).

Available Jun. 2, 2018, [online], [site visited Jun. 2, 2018]. Available from Internet, <URL:available, [online], [site visited]. Available from Internet, <URL:https://eproav.com/security-surveillance/intrusion-detection/contacts/bosch-60-688-95-micro-door-window-sensor-white> (Year 2018).

Available Jun. 2, 2018, [online], [site visited Jun. 2, 2018]. Available from Internet, <URL:https://mvpawards.secure-platform.com/a/gallery/rounds/126/details/35164> (Year: 2018).

Available Jun. 8, 2017, [online], [site visited Jun. 2, 2018]. Available from Internet, <URL:http://www.zigbee.org/zigbee-products-2/#zigbeecertifiedproducts/productdetails3/592739f2113c335ad9cff-29d/> (Year: 2017).

* cited by examiner

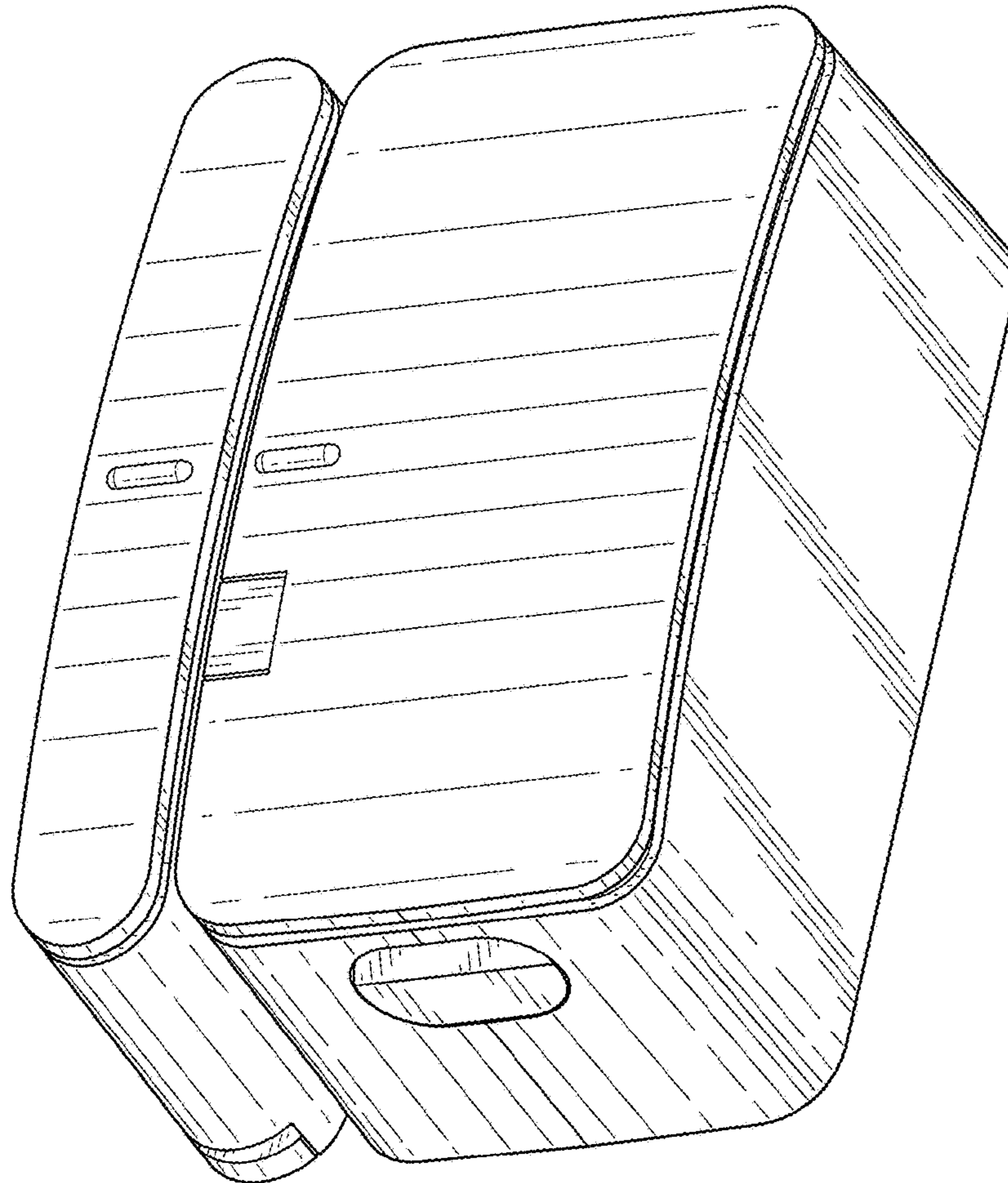


FIG. 1

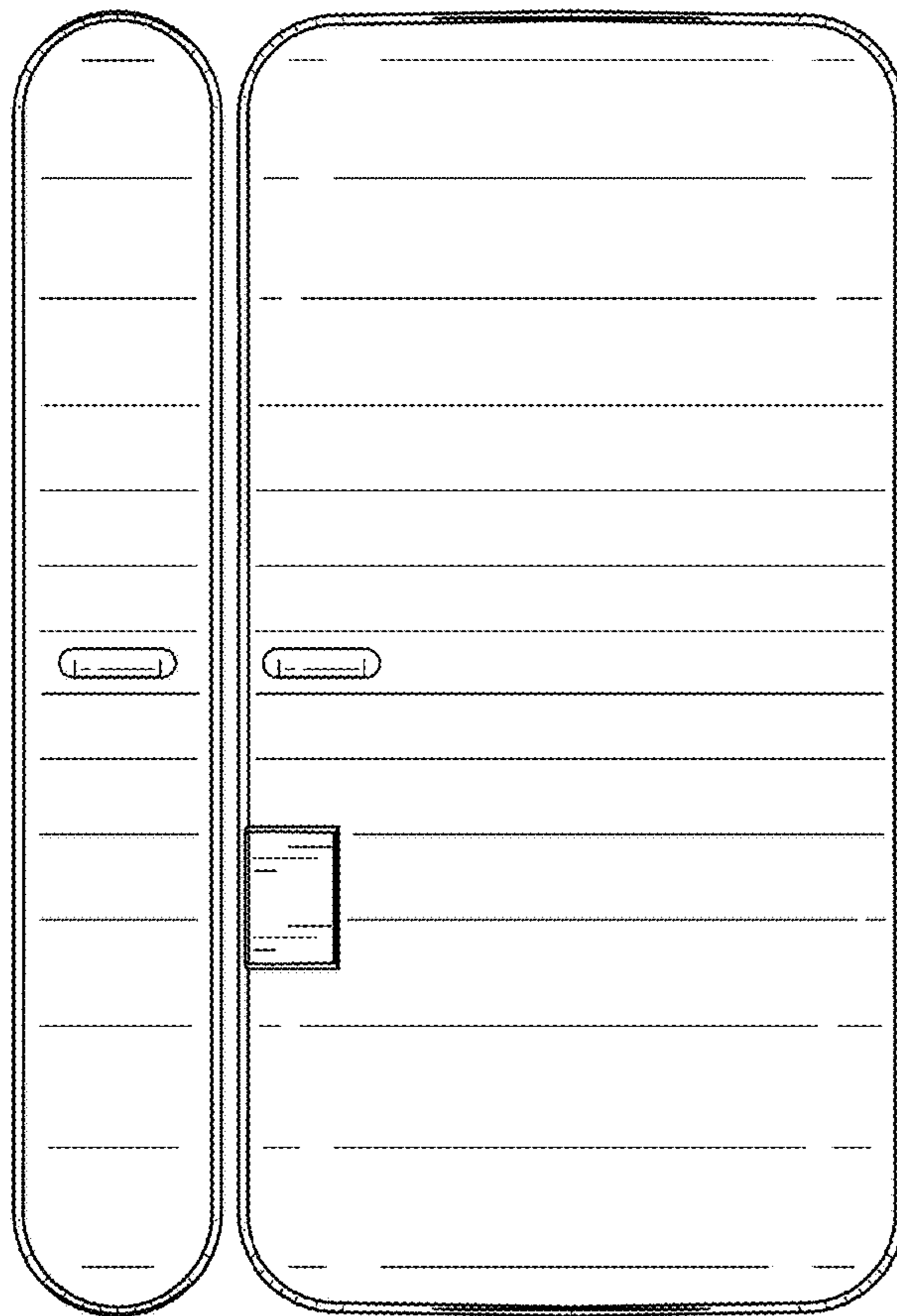


FIG. 2

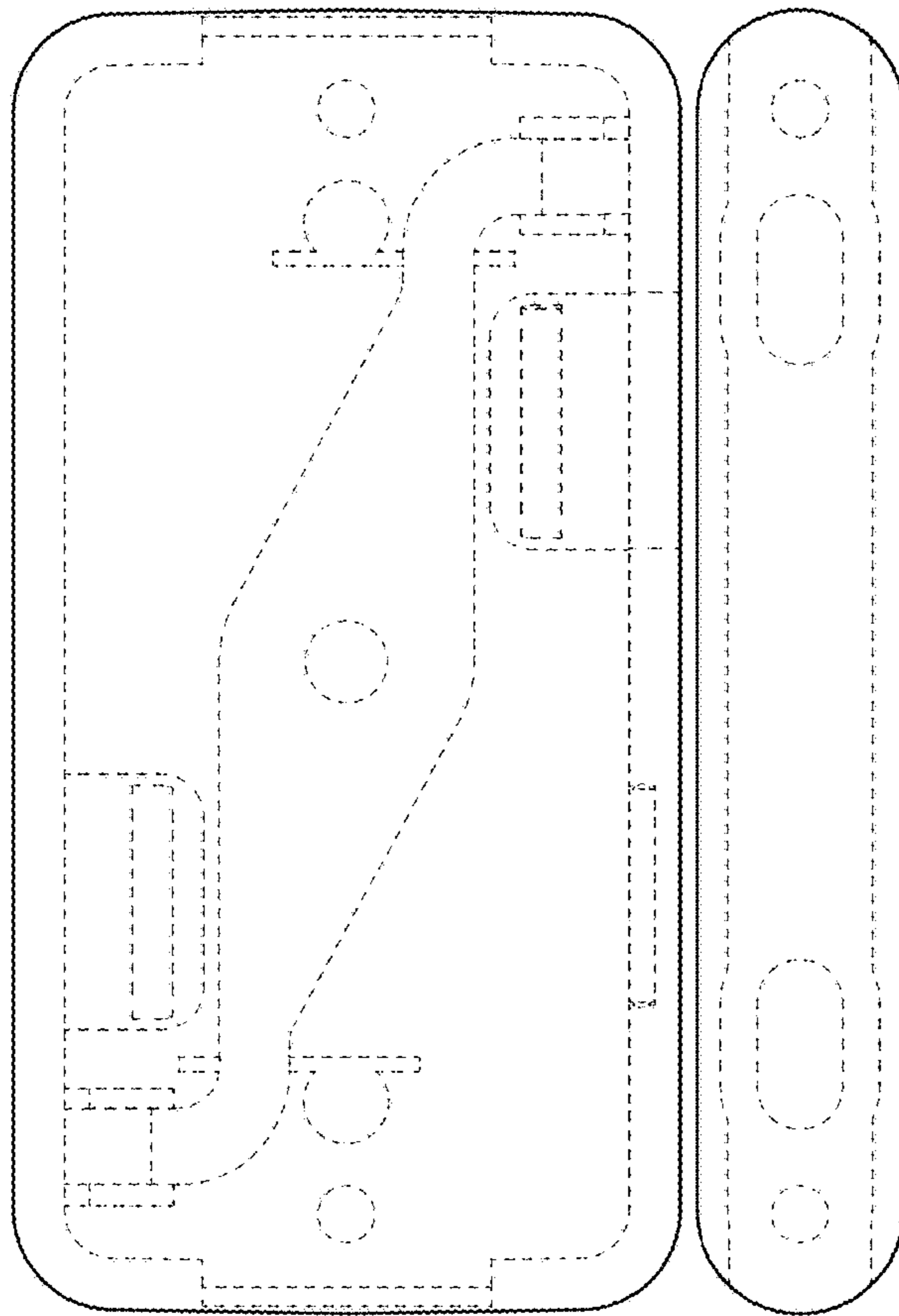


FIG. 3

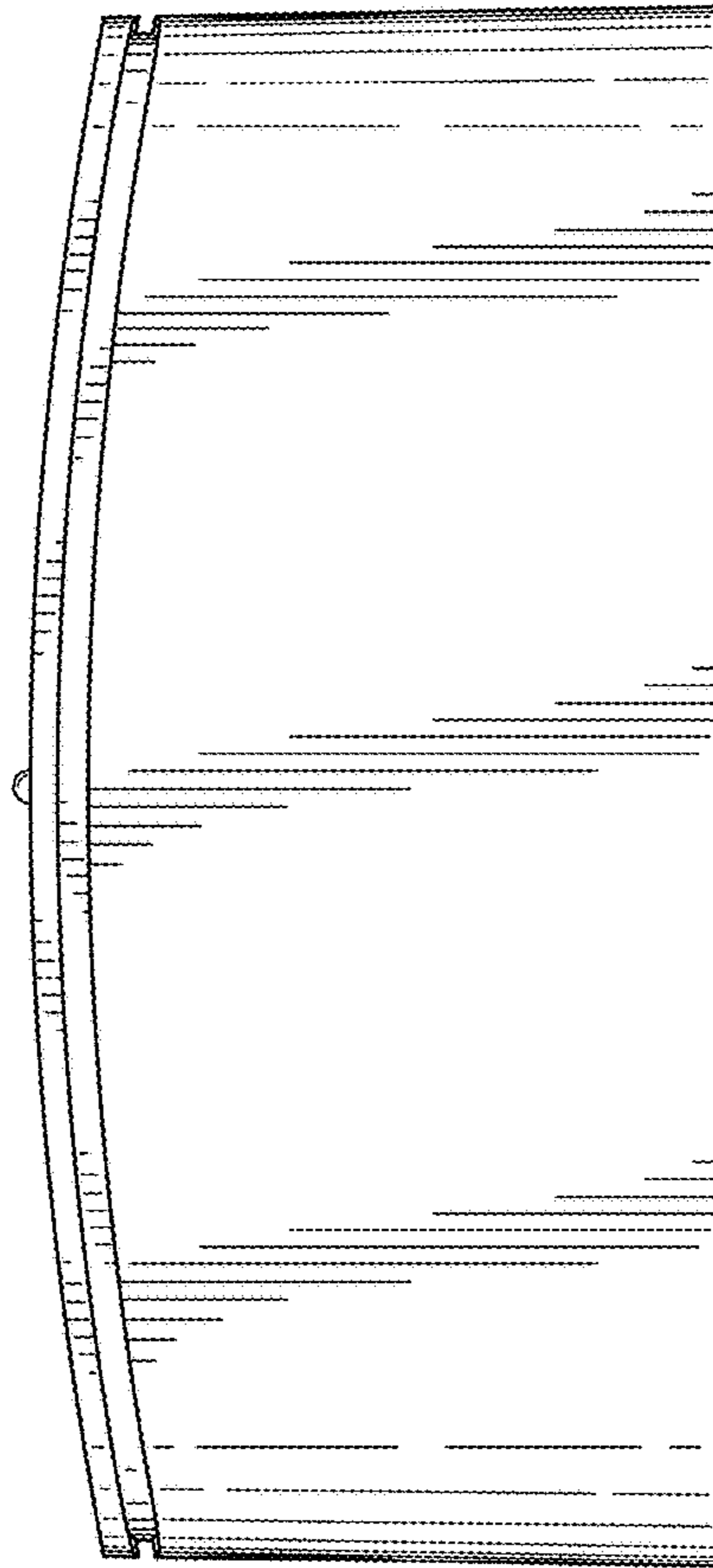


FIG. 4

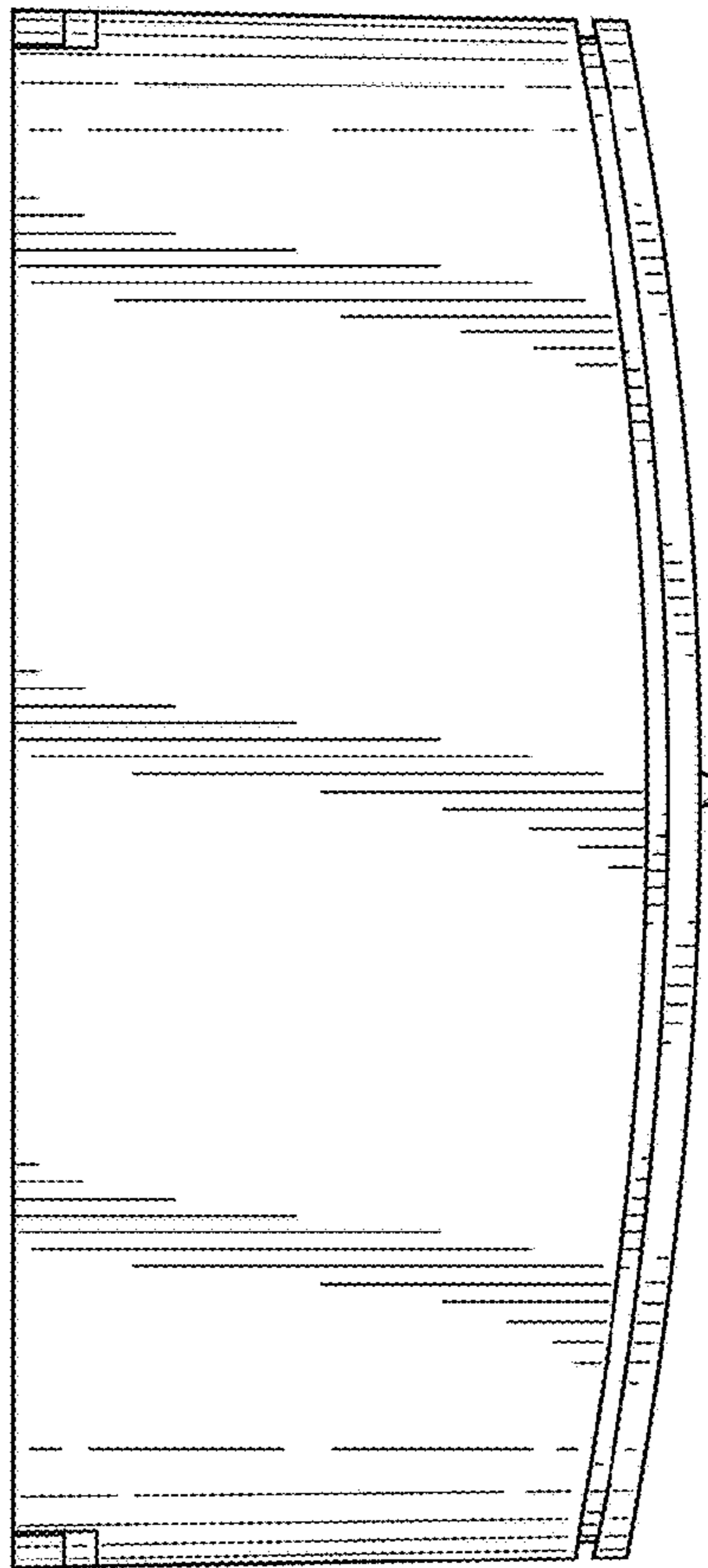


FIG. 5

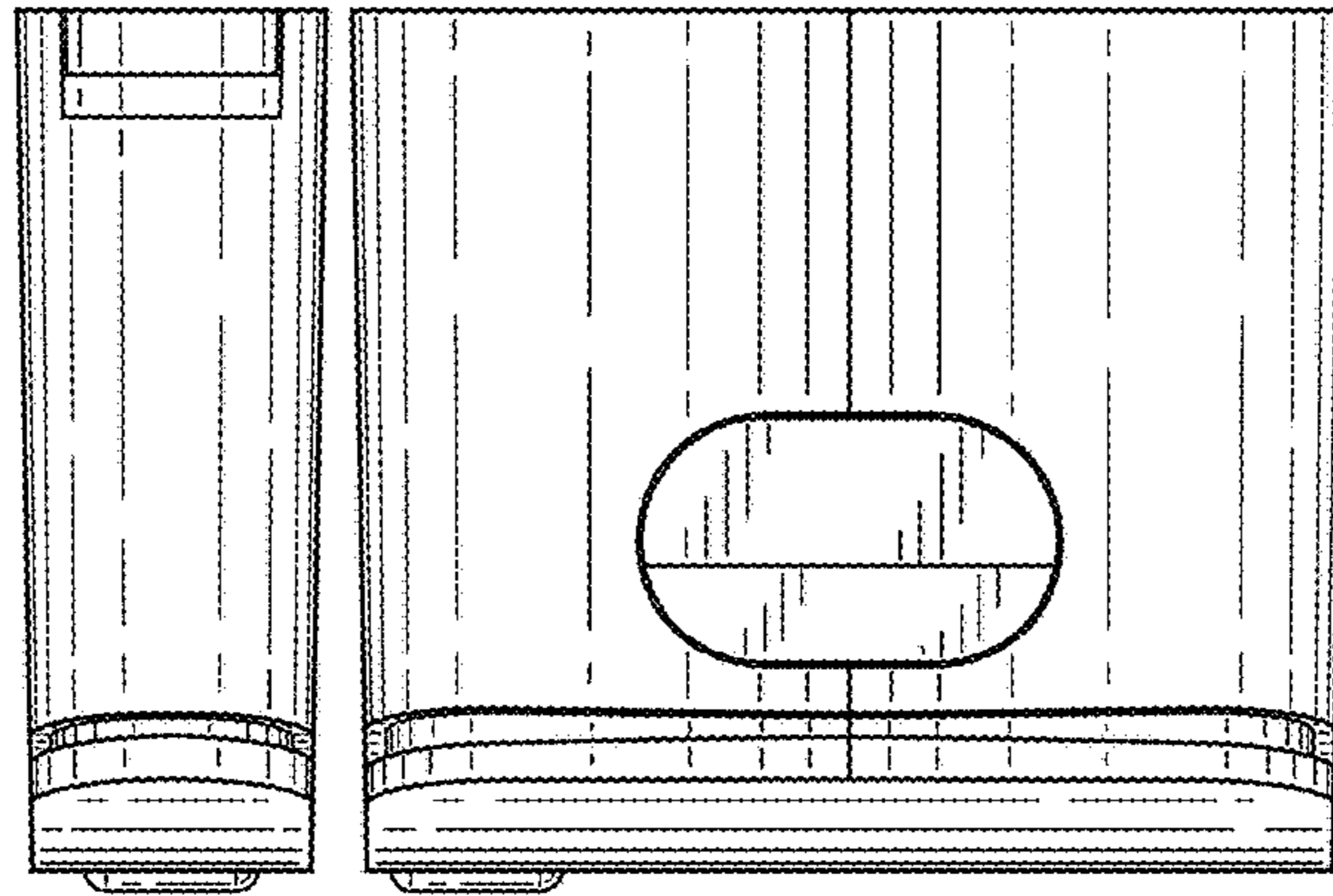


FIG. 6

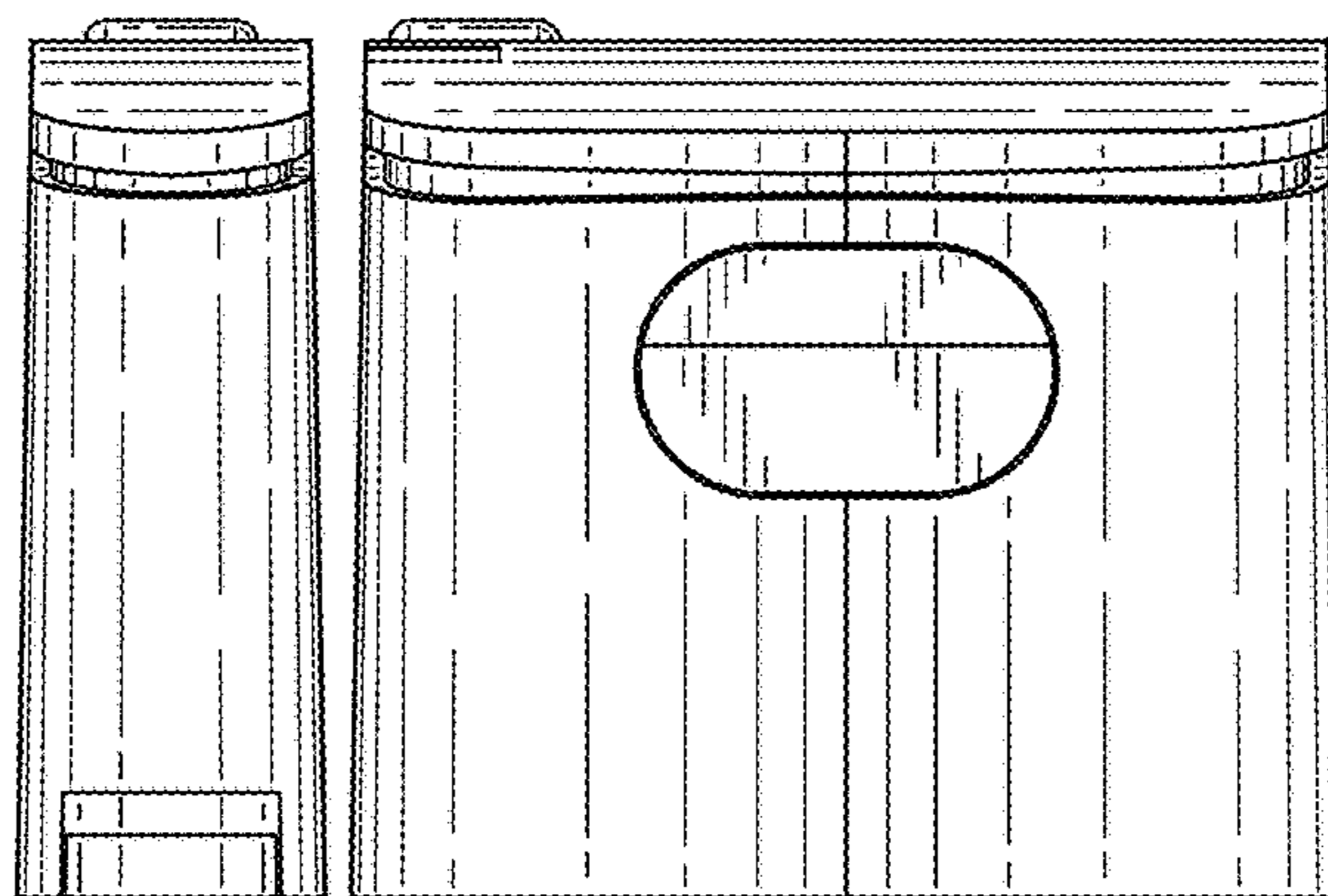


FIG. 7

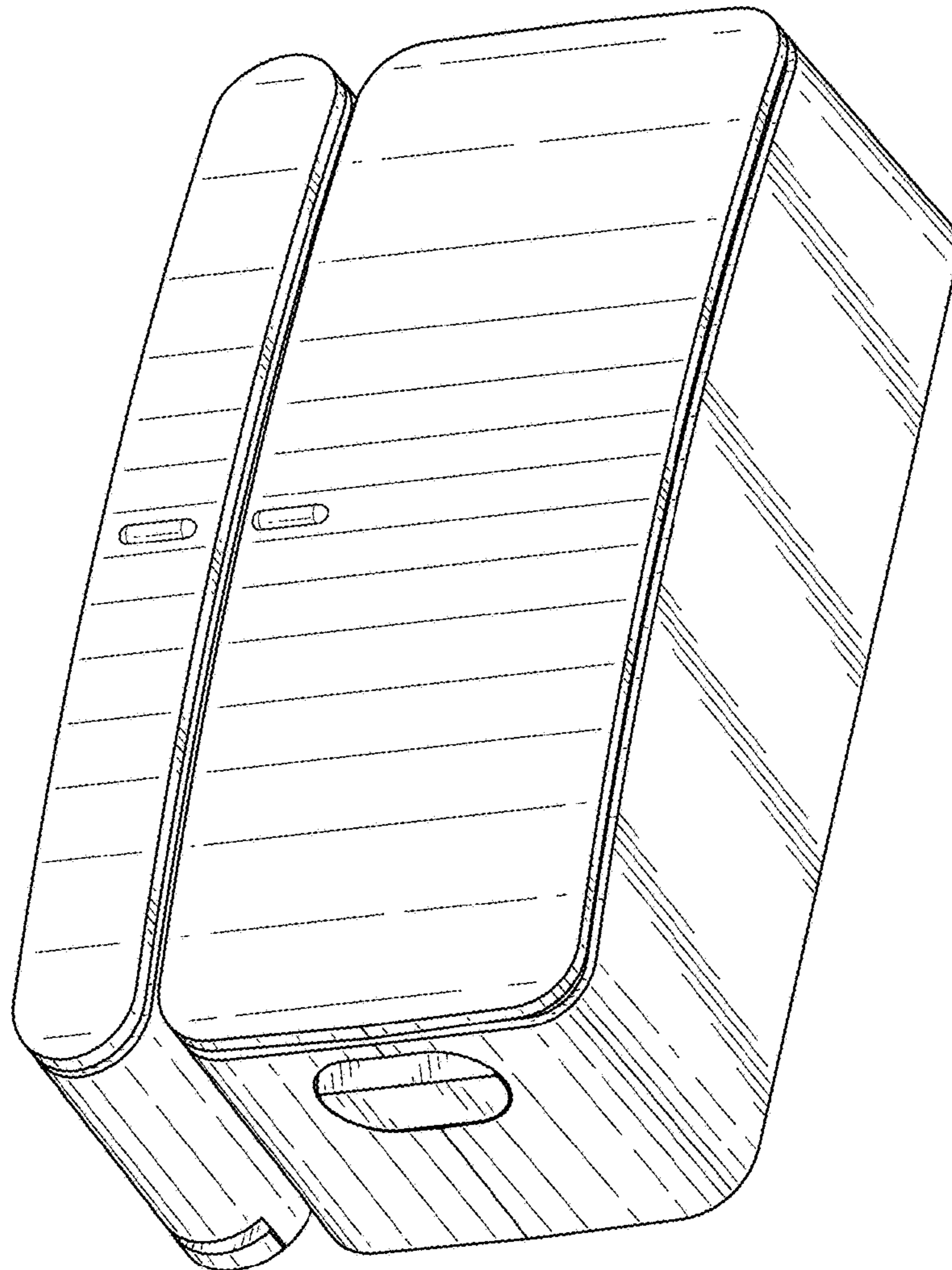


FIG. 8

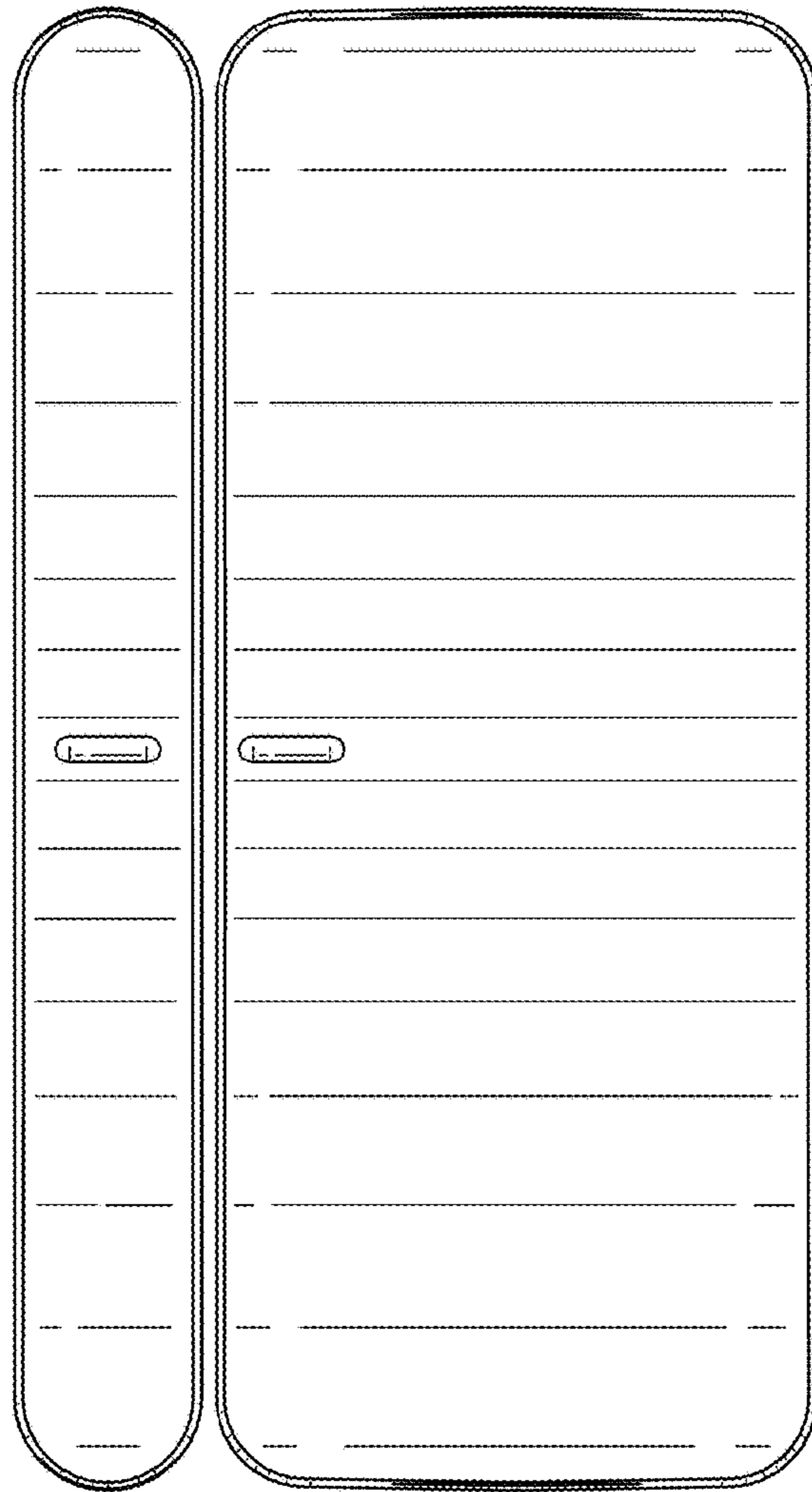


FIG. 9

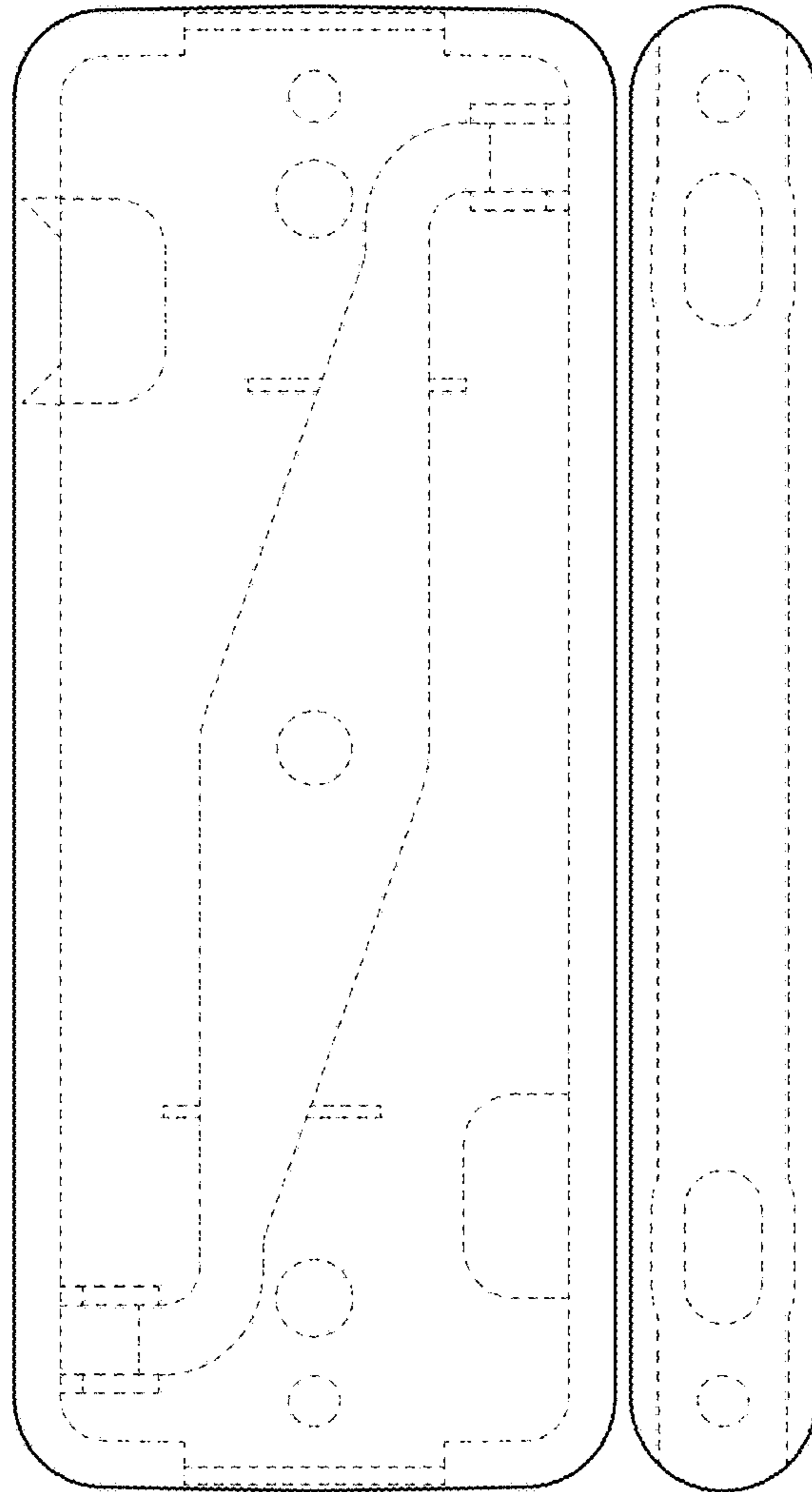


FIG. 10

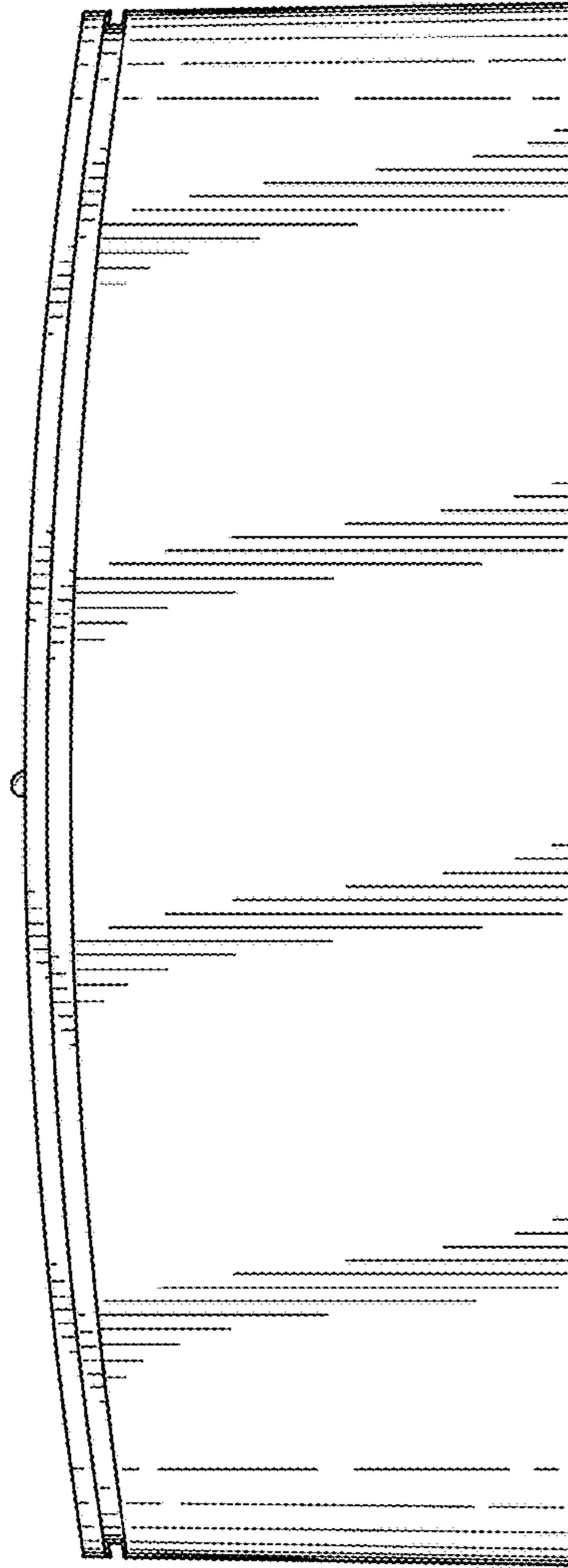


FIG. 11

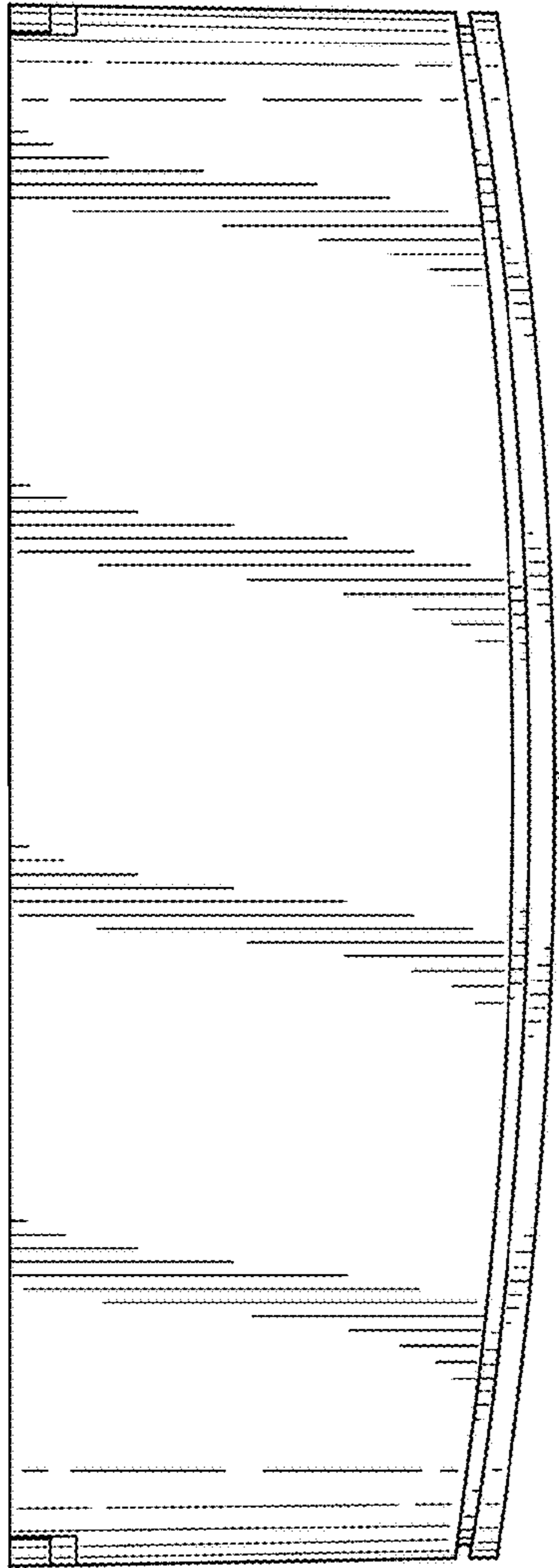


FIG. 12

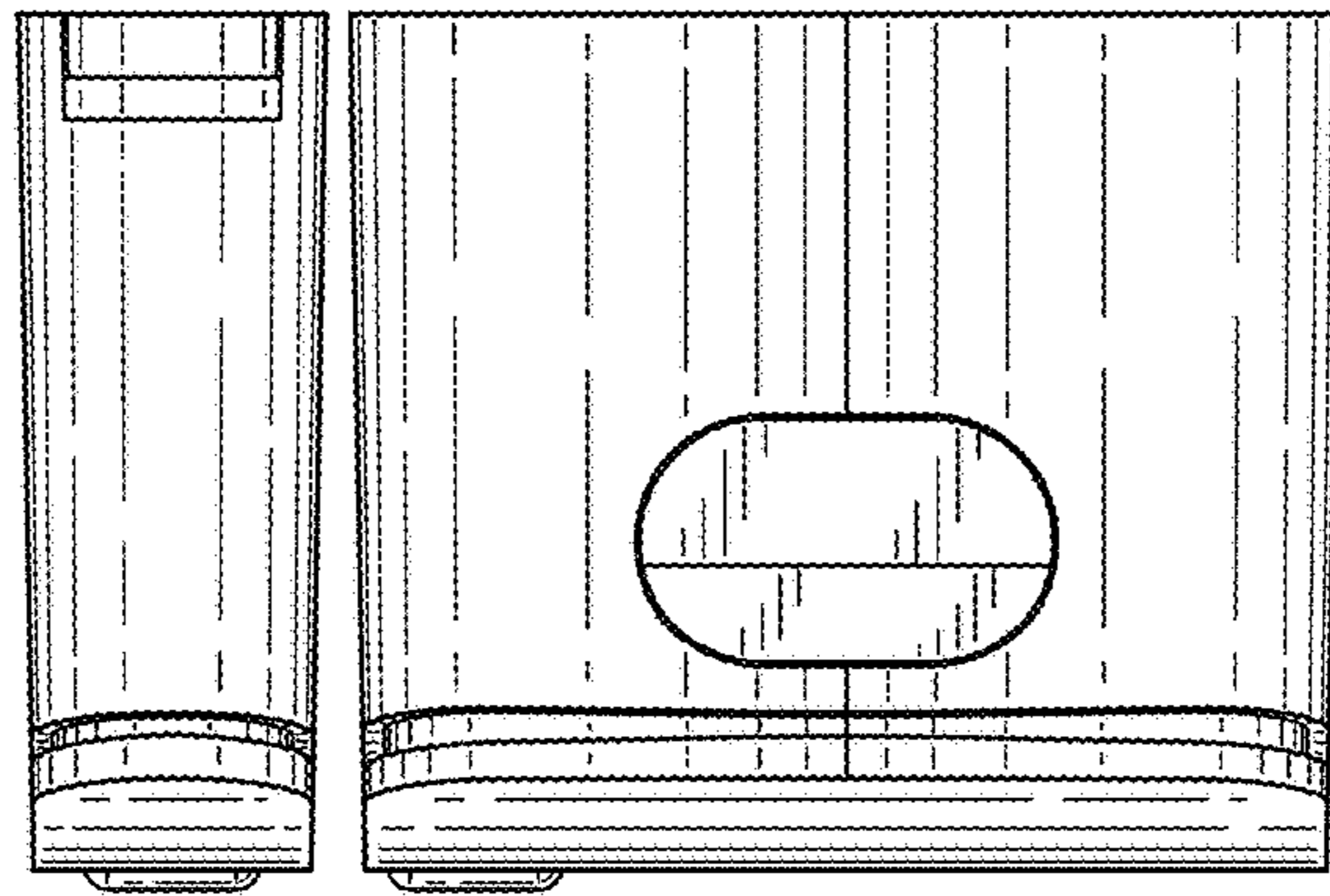


FIG. 13

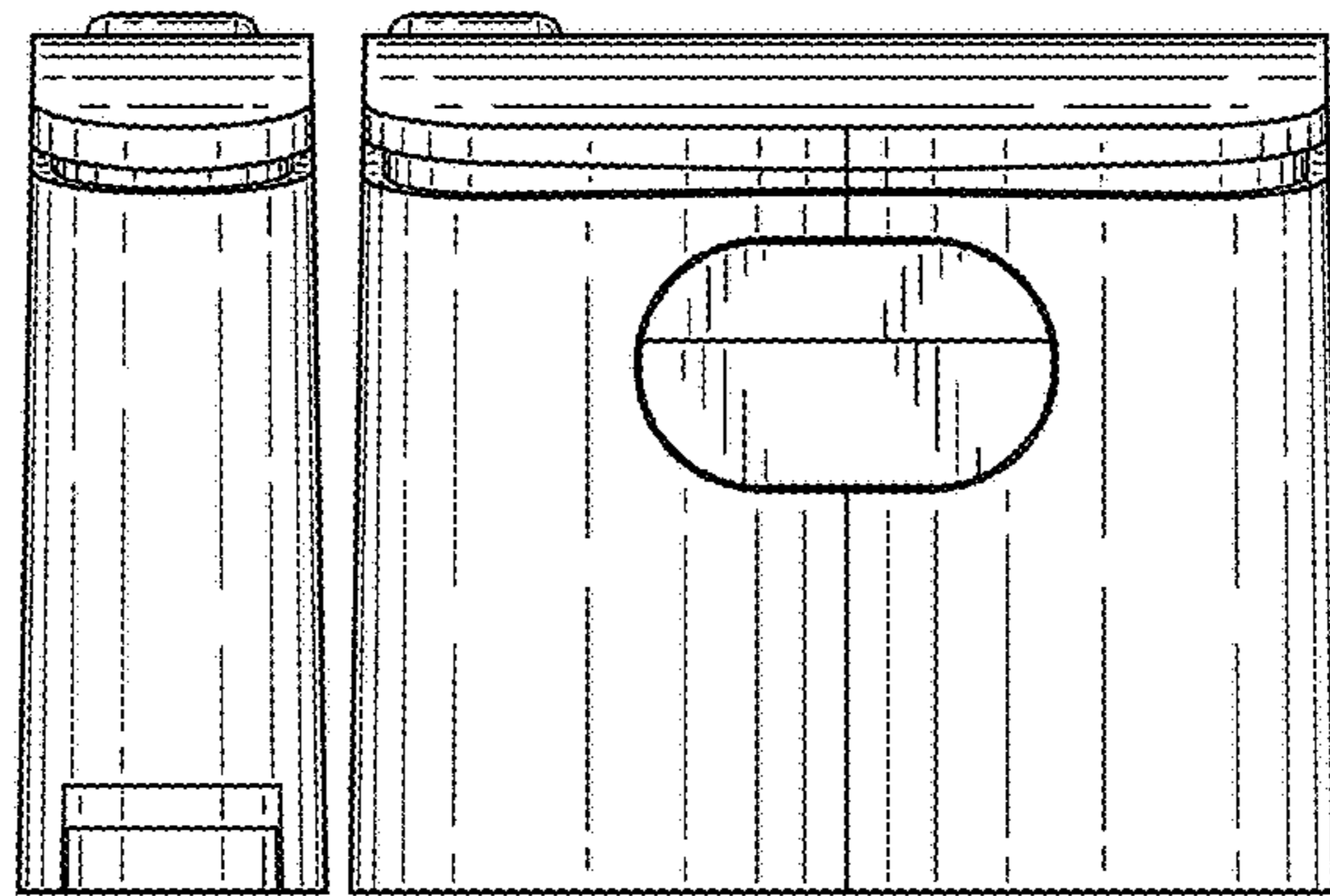


FIG. 14