

US00D866376S

(12) **United States Design Patent** (10) **Patent No.:** **US D866,376 S**  
**Suzuki et al.** (45) **Date of Patent:** **\*\* Nov. 12, 2019**

(54) **WEARABLE DEVICE**

(71) Applicant: **SONY CORPORATION**, Tokyo (JP)

(72) Inventors: **Takumi Suzuki**, Kanagawa (JP);  
**Masaharu Yoshino**, Saitama (JP)

(73) Assignee: **SONY CORPORATION**, Tokyo (JP)

(\*\*) Term: **15 Years**

(21) Appl. No.: **29/614,163**

(22) Filed: **Aug. 16, 2017**

(30) **Foreign Application Priority Data**

Feb. 16, 2017 (JP) ..... D2017-003019

(51) **LOC (12) Cl.** ..... **10-04**

(52) **U.S. Cl.**

USPC ..... **D10/103; D11/90**

(58) **Field of Classification Search**

USPC ..... D10/70, 78, 103; D11/3, 86, 90;  
D14/344; D24/167, 186

CPC ... A61B 5/6801; A61B 5/6802; A61B 5/6813;  
A61B 5/6814; A61B 5/6815; A61B  
5/6816; A61B 5/6817; A61B 5/6818;  
A61B 5/6819; A61B 5/6822; A61B  
5/6823; A61B 5/6824; A61B 5/6825;  
A61B 5/6826; A61B 5/6828; A61B  
5/6829; A61B 5/681; G04B 47/065;  
G04B 47/066; G04B 19/00-19/34; G04B  
21/12; G04B 23/12; G04B 37/00-37/228;  
G04B 47/00-47/068; G01C 17/00; G01C  
21/00-21/3697; G01C 22/00-22/025;  
G01C 23/00-23/005; G01C 21/16; G06F  
19/3481; G06F 3/00-3/027; G06F 1/163;  
G01P 1/00-1/26; G01P 15/00-15/18;  
A63B 24/002-2024/0096; A63B 2213/00;  
A63B 69/0028; A63B  
2071/0658-2071/0666; A63B  
2220/00-2220/89; A63B 2225/02; A63C  
11/02; G04G 21/00; G04G 21/02; G04G  
21/08

See application file for complete search history.

(56) **References Cited**

U.S. PATENT DOCUMENTS

D592,991 S \* 5/2009 Schneider ..... D11/90  
D647,888 S 11/2011 Katsuraku et al.

\* cited by examiner

*Primary Examiner* — Antoine Duval Davis

(74) *Attorney, Agent, or Firm* — Michael Best and  
Friedrich LLP

(57) **CLAIM**

The ornamental design for a wearable device, as shown and  
described.

**DESCRIPTION**

FIG. 1 is a rear, top, right perspective view of a first  
embodiment of a wearable device showing our new design;  
FIG. 2 is a front, bottom, left perspective view thereof;  
FIG. 3 is a front elevational view thereof;  
FIG. 4 is a rear elevational view thereof;  
FIG. 5 is a left side elevational view thereof;  
FIG. 6 is a right side elevational view thereof; and  
FIG. 7 is a top plan view thereof.

FIG. 8 is an enlarged partial rear, top, right perspective view  
thereof along the lines 8-8 and 8'-8' of FIG. 1;

FIG. 9 is an enlarged partial left side elevational view  
thereof along the line 9-9 of FIG. 5

FIG. 10 is an enlarged rear, top, right perspective view of  
FIG. 8 wherein the center truncated cone shape of the  
claimed design is further selectively enlarged; and,  
FIG. 11 is an enlarged left side elevational view wherein the  
center truncated cone shape of the claimed design is further  
selectively enlarged.

The even-dash broken lines constituting a portion of the  
wearable device and form no part of the claimed design.

Dot-dash broken lines showing of a part of the wearable  
device define the boundaries of the claimed design and are  
not included in the claimed design.

**1 Claim, 10 Drawing Sheets**

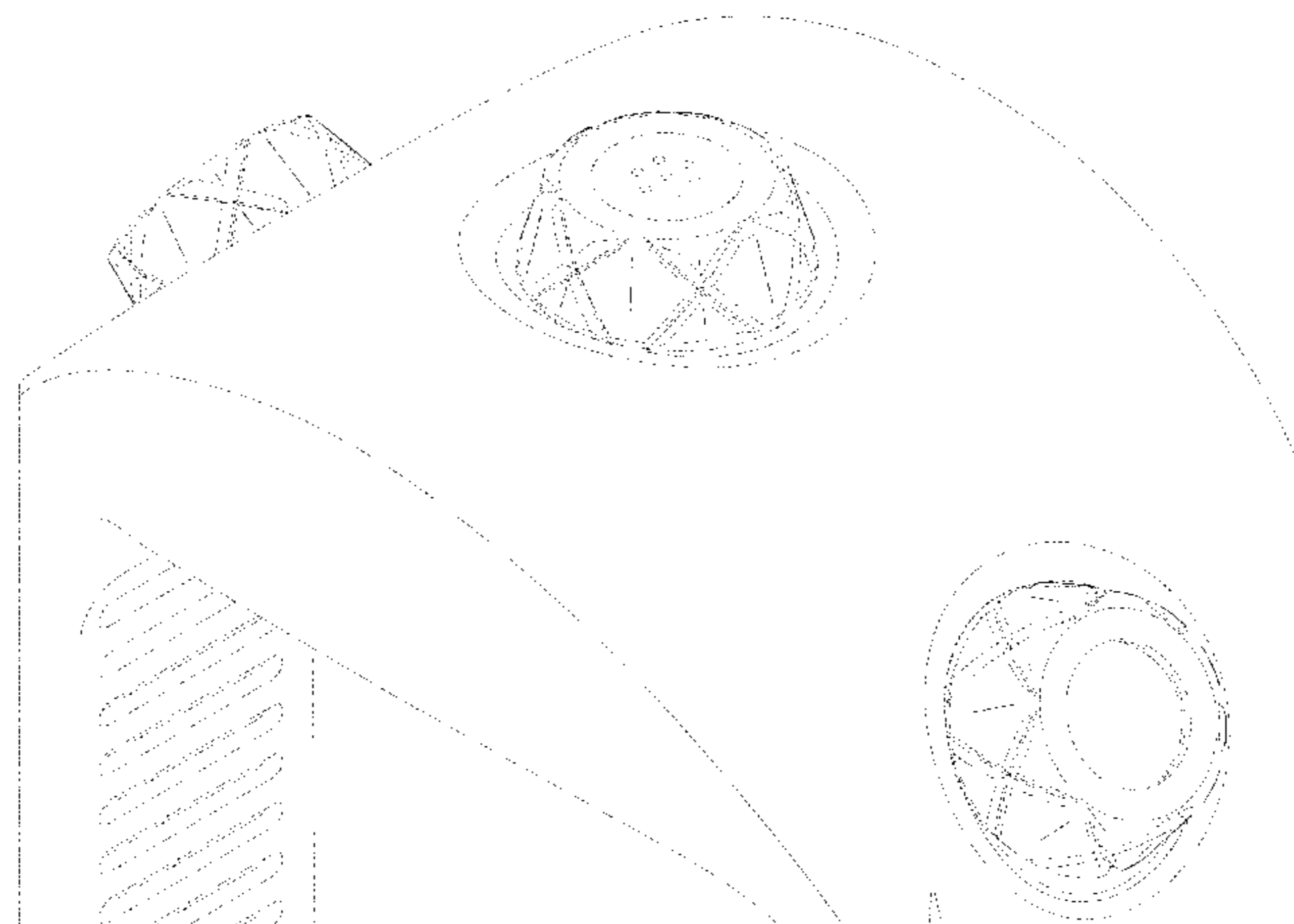


FIG.1

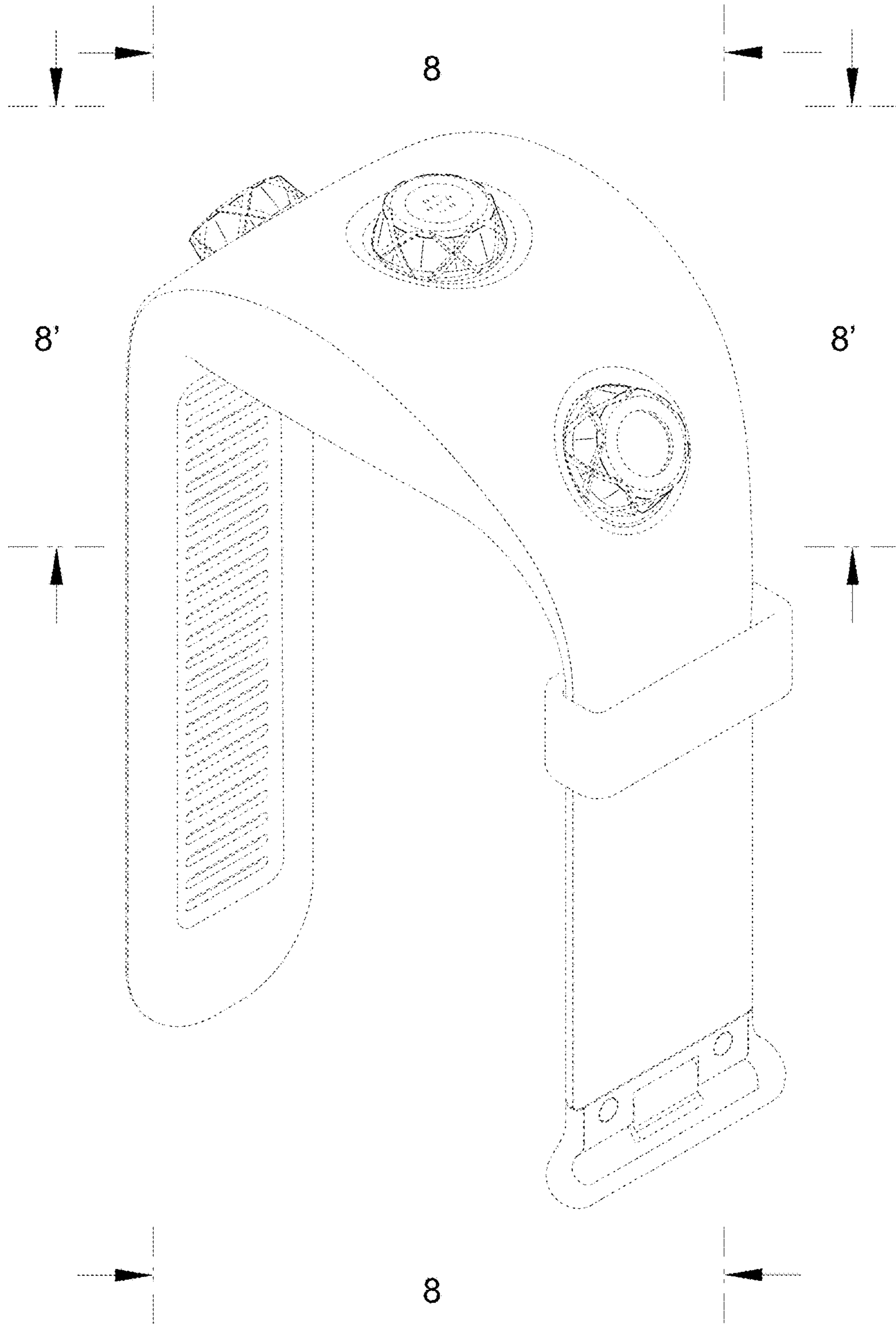


FIG.2

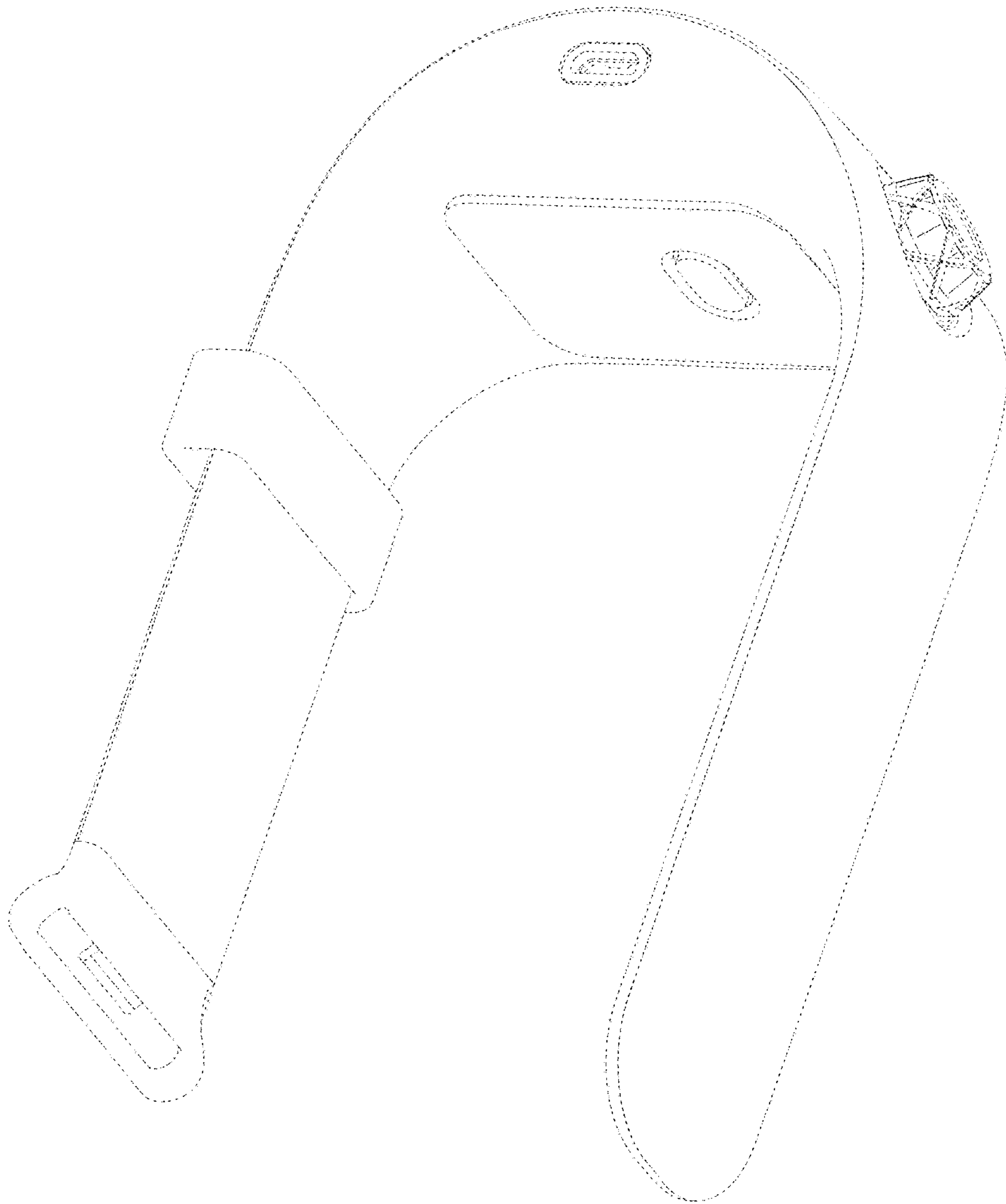


FIG.3

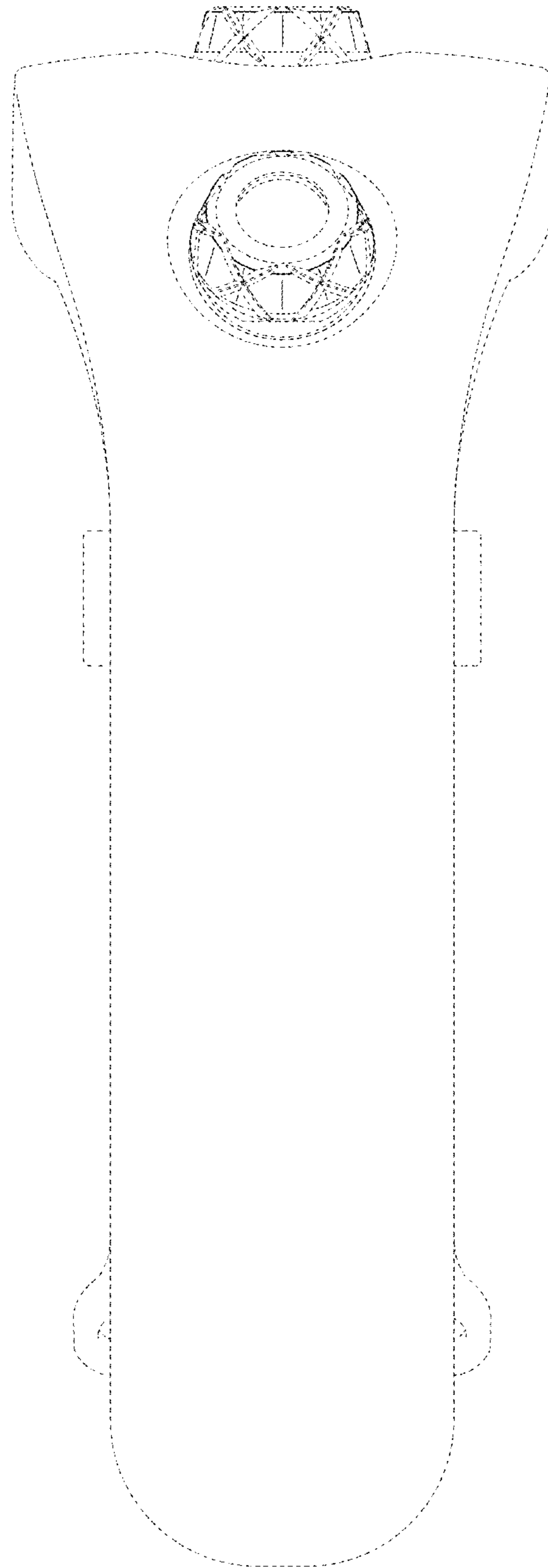


FIG.4

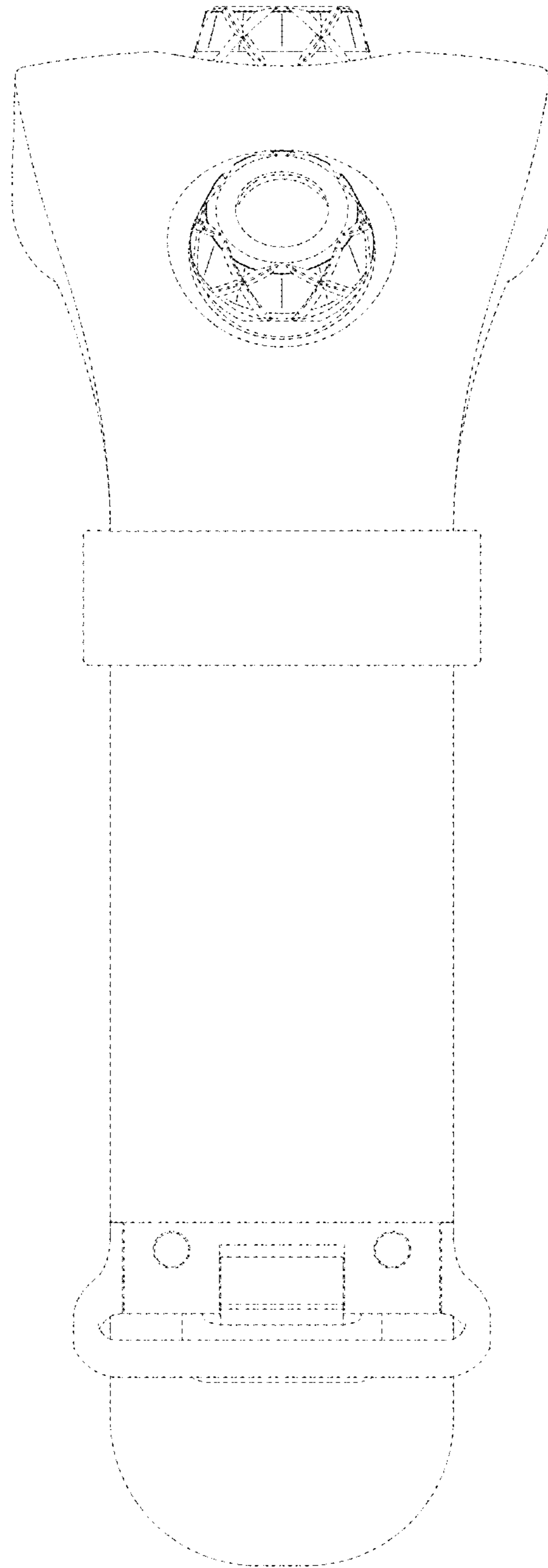


FIG.5

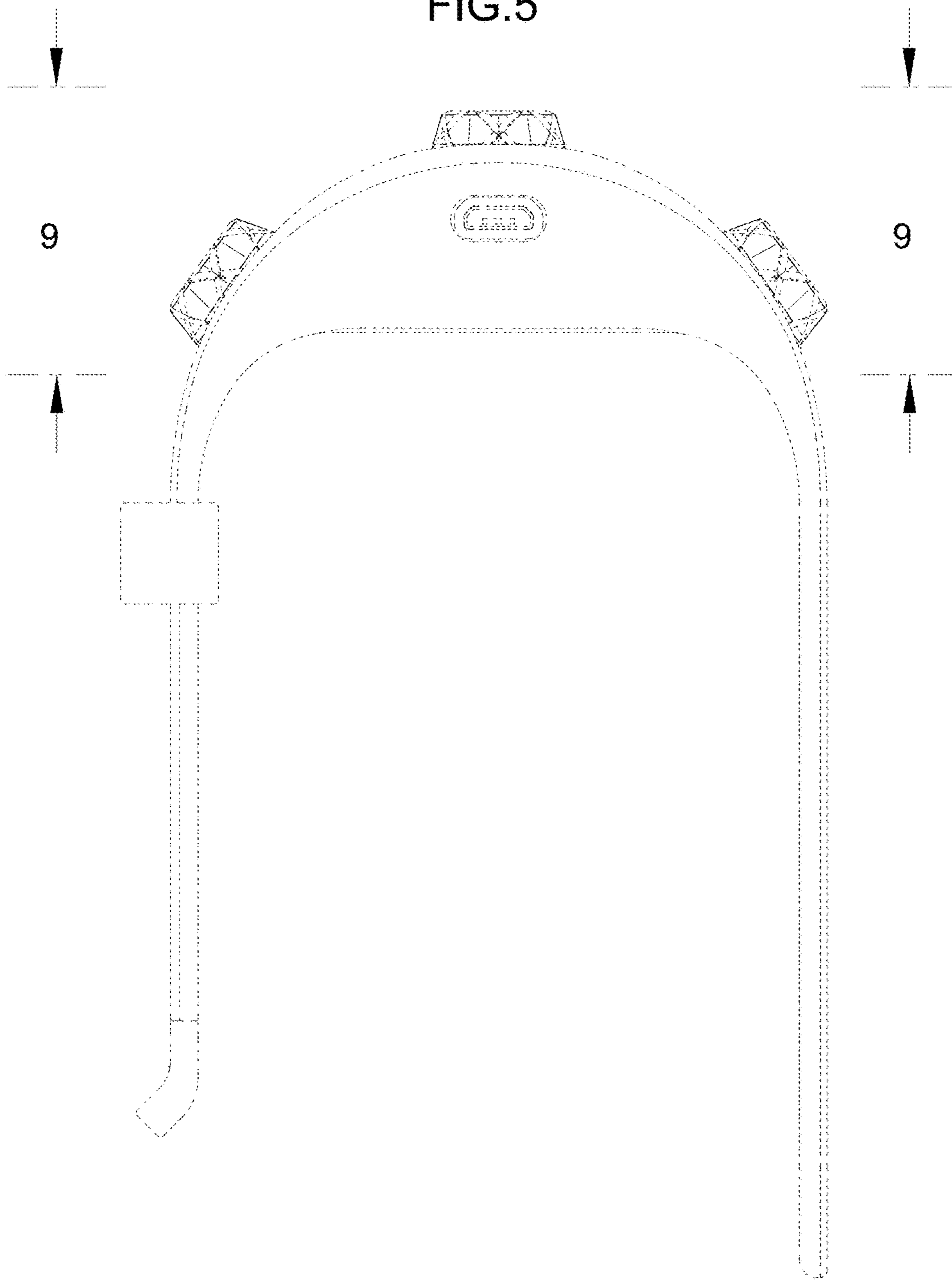


FIG.6

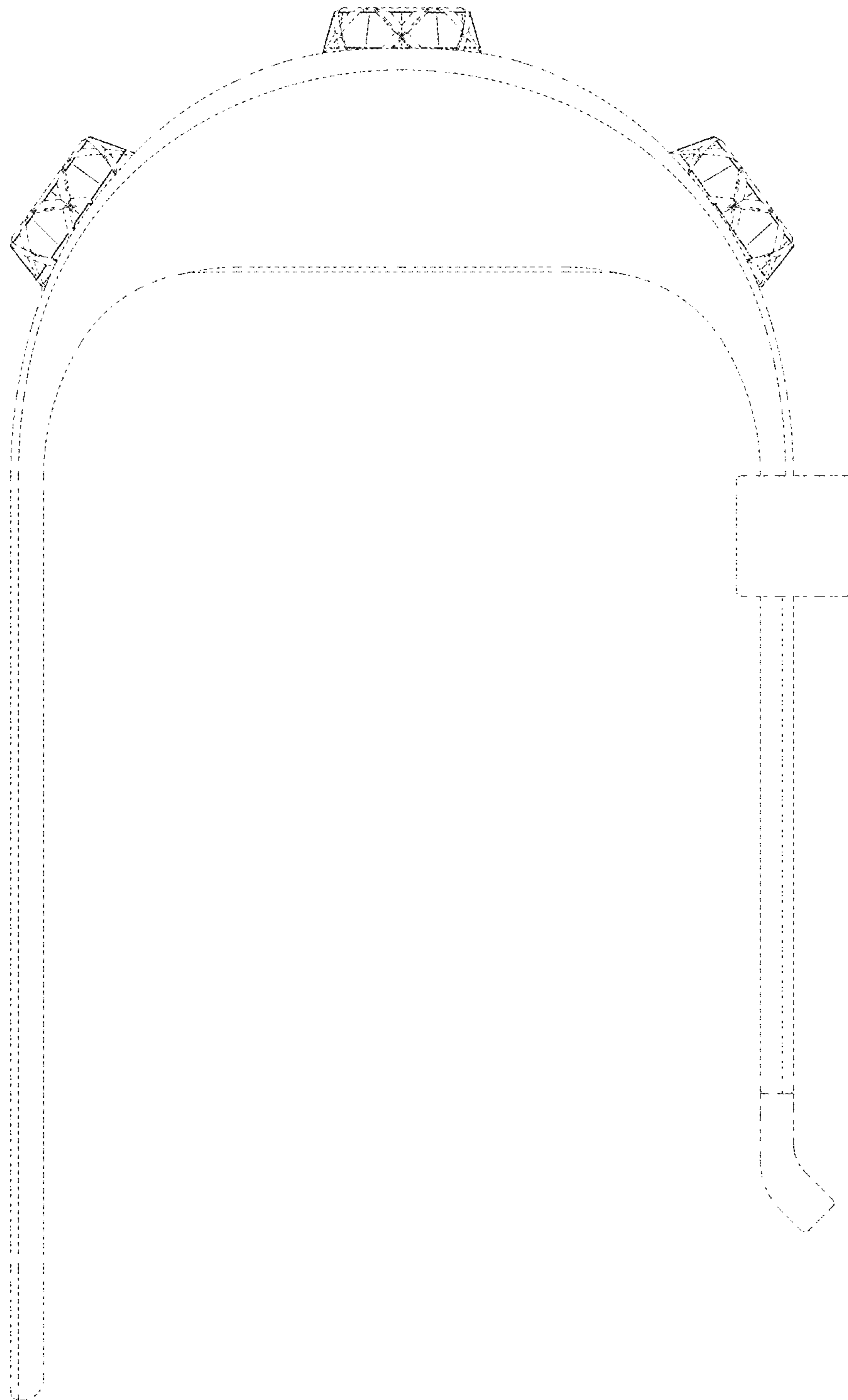


FIG.7

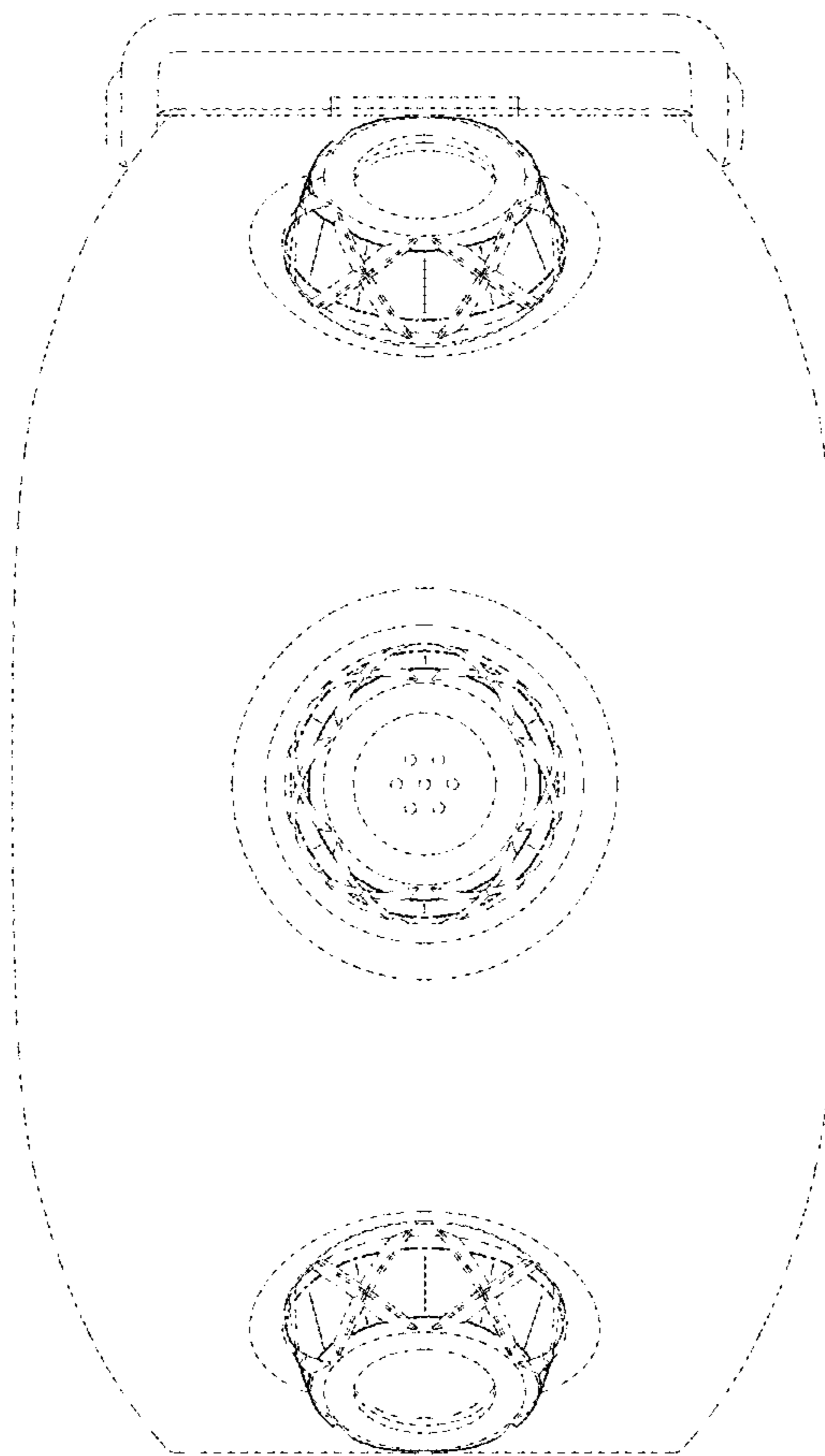




FIG.8

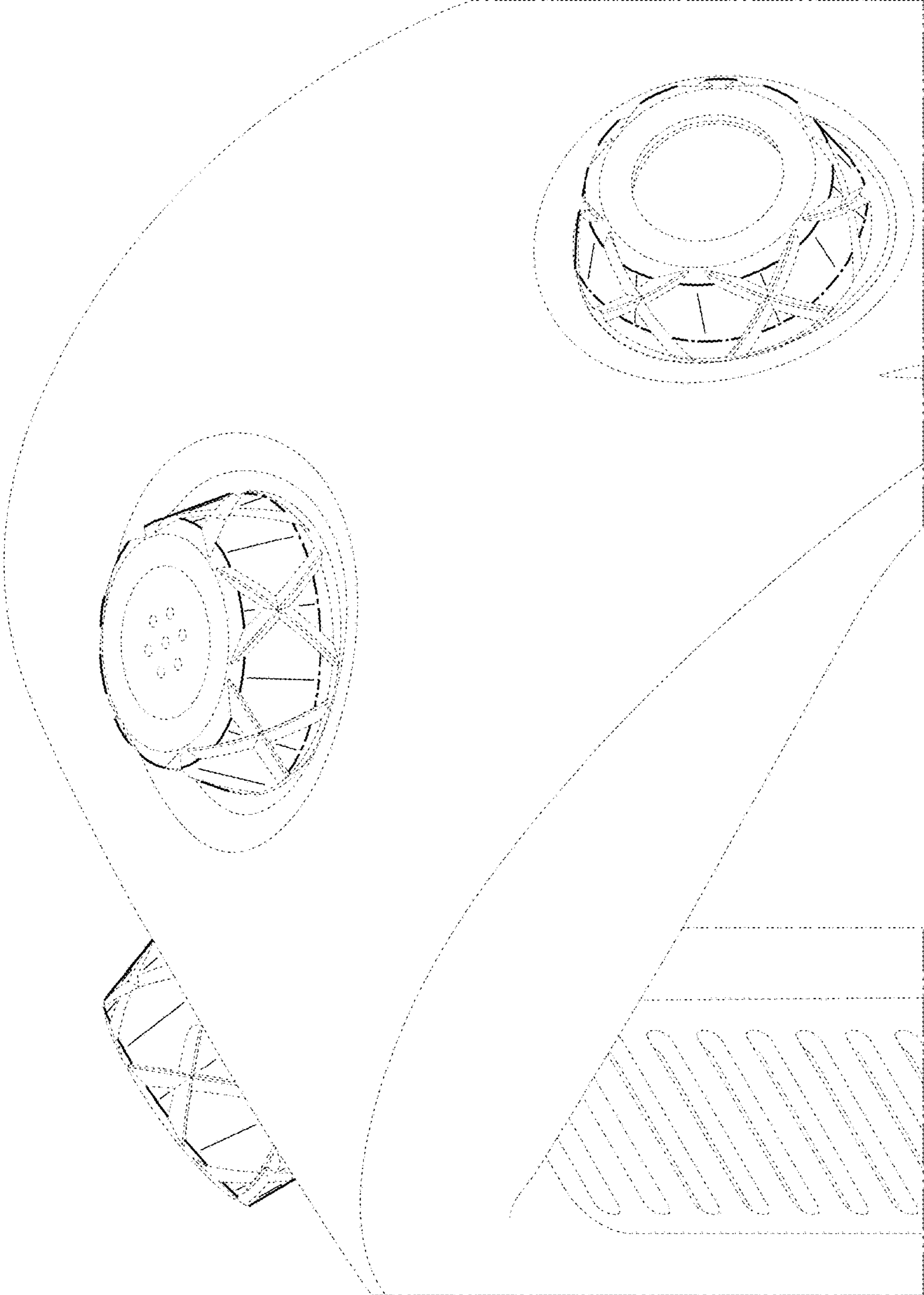


FIG. 9

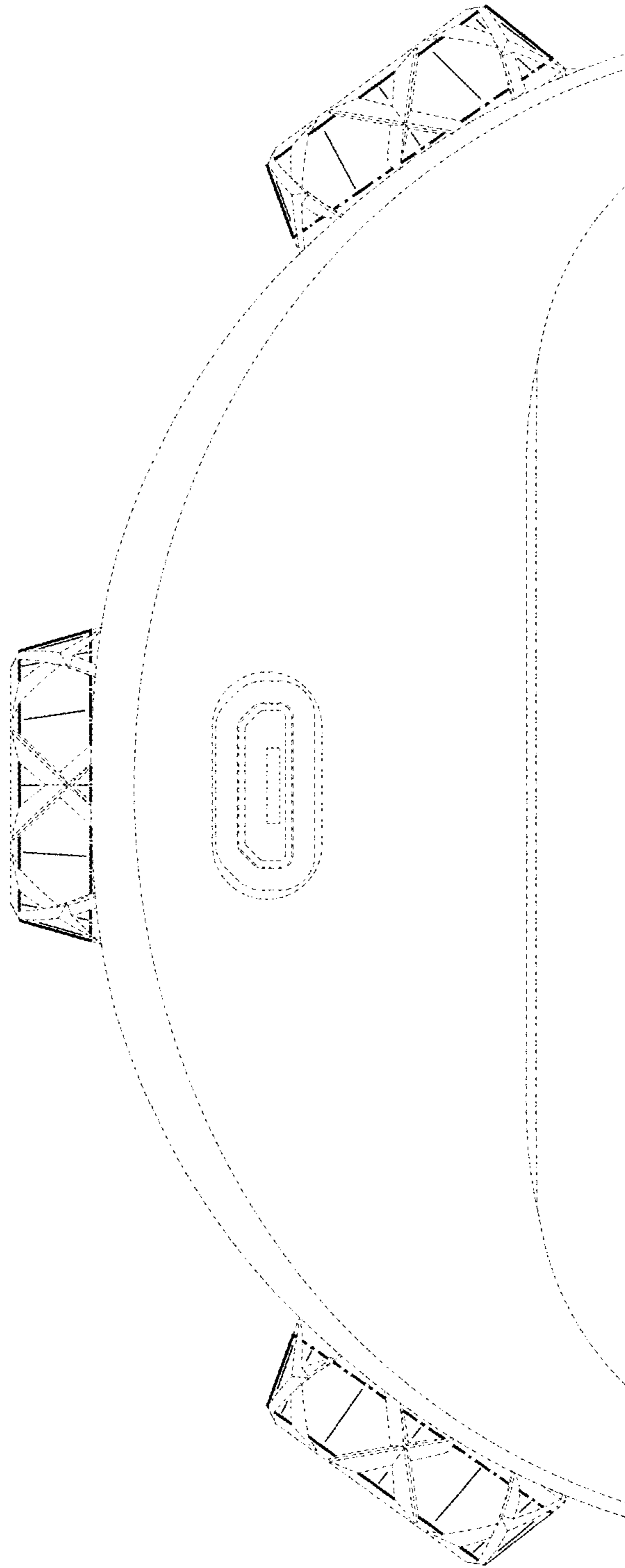


FIG.10

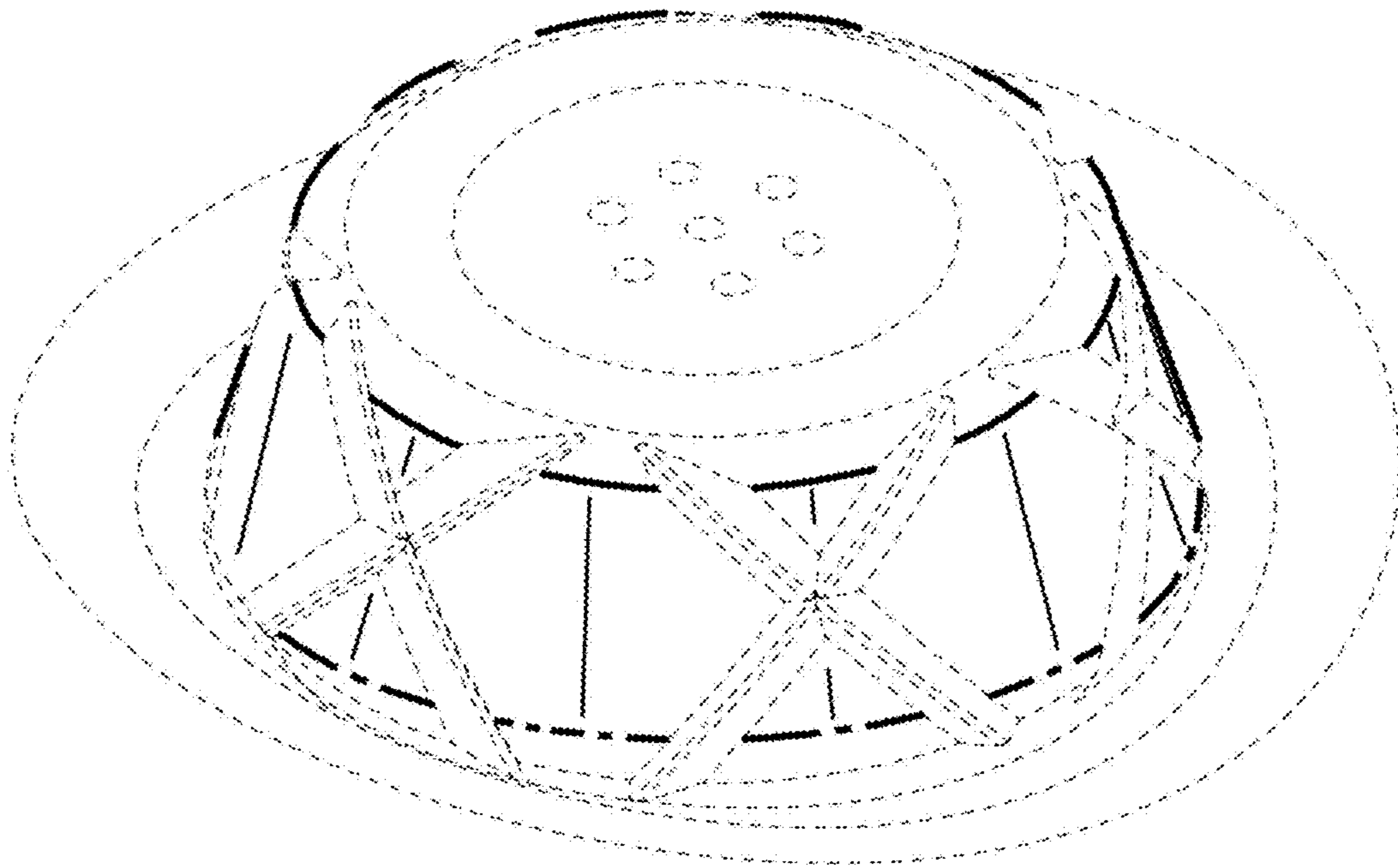


FIG.11

