



US00D866374S

(12) **United States Design Patent**
Stange

(10) **Patent No.:** **US D866,374 S**

(45) **Date of Patent:** **** Nov. 12, 2019**

(54) **FLUSH TIMING SENSOR**

(71) Applicant: **Terry Gene Stange**, Windsor, CO (US)

(72) Inventor: **Terry Gene Stange**, Windsor, CO (US)

(**) Term: **15 Years**

(21) Appl. No.: **29/651,382**

(22) Filed: **Jun. 29, 2018**

(51) **LOC (12) Cl.** **10-04**

(52) **U.S. Cl.**
USPC **D10/99; D10/96**

(58) **Field of Classification Search**
USPC D10/46, 96, 99
CPC .. G01F 23/02; G01F 23/2922; G01F 23/2925;
G01F 23/2921; G01F 23/2924; G01F
23/2927; G01F 23/2928
See application file for complete search history.

(56) **References Cited**

U.S. PATENT DOCUMENTS

4,625,549 A * 12/1986 Mahoney G01F 23/04
73/327
D365,771 S * 1/1996 Clivio D10/40
D478,827 S * 8/2003 Ayer D10/96

* cited by examiner

Primary Examiner — Antoine Duval Davis

(74) *Attorney, Agent, or Firm* — Huw R. Jones

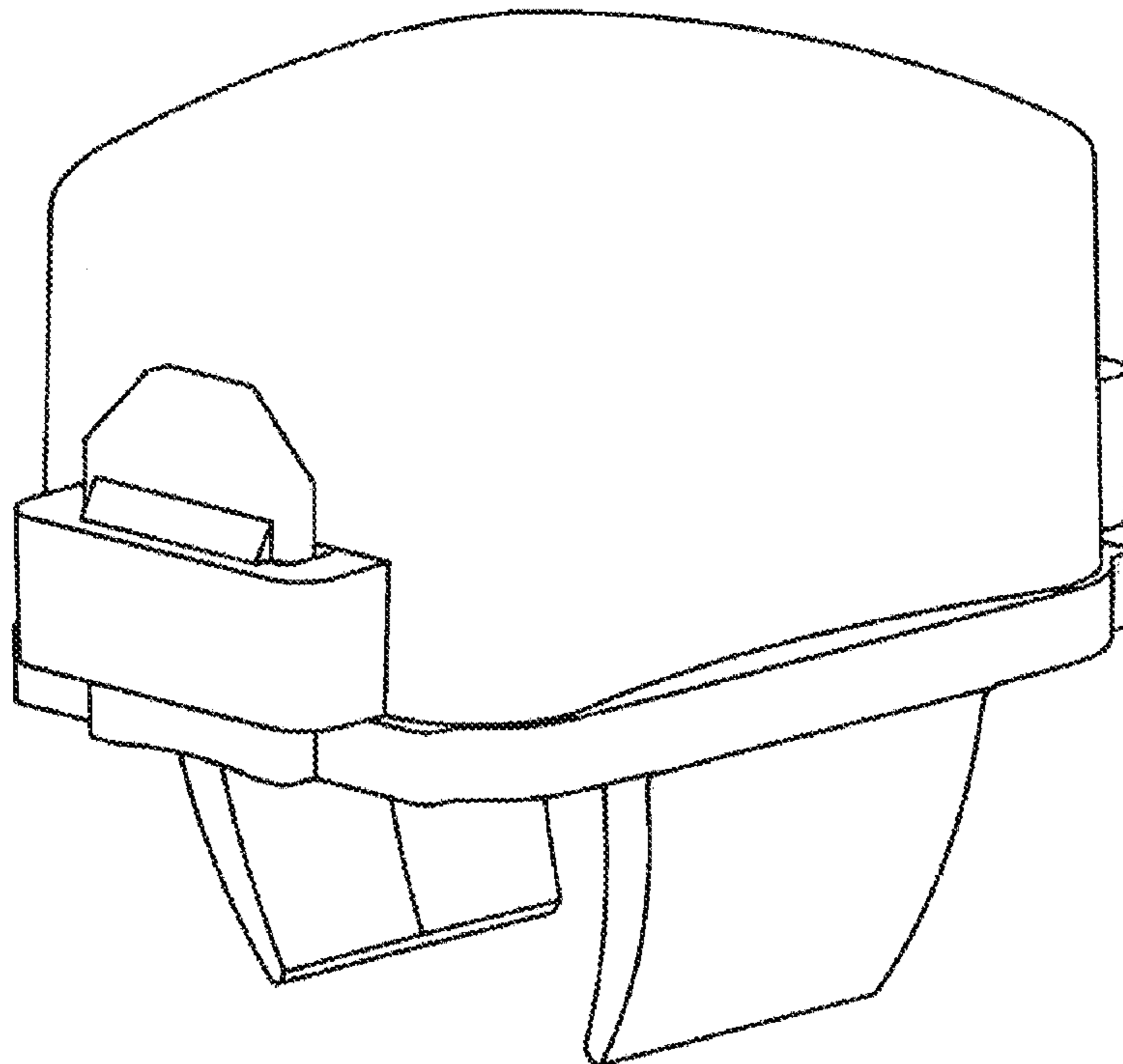
(57) **CLAIM**

The ornamental design for a flush timing sensor, as shown.

DESCRIPTION

FIG. 1 is a top, front, right perspective view of the flush timing sensor.
FIG. 2 is a front perspective view of the flush timing sensor.
FIG. 3 is a rear perspective view of the flush timing sensor.
FIG. 4 is a right perspective view of the flush timing sensor.
FIG. 5 is a left perspective view of the flush timing sensor.
FIG. 6 is a top perspective view of the flush timing sensor.
FIG. 7 is a bottom perspective view of the flush timing sensor.
FIG. 8 is a top, front, right exploded perspective view of the flush timing sensor.
FIG. 9 is a front exploded perspective view of the flush timing sensor.
FIG. 10 is a rear exploded perspective view of the flush timing sensor.
FIG. 11 is a right exploded perspective view of the flush timing sensor.
FIG. 12 is a left exploded perspective view of the flush timing sensor.
FIG. 13 is a top exploded perspective view of the flush timing sensor; and,
FIG. 14 is a bottom exploded perspective view of the flush timing sensor.

1 Claim, 14 Drawing Sheets



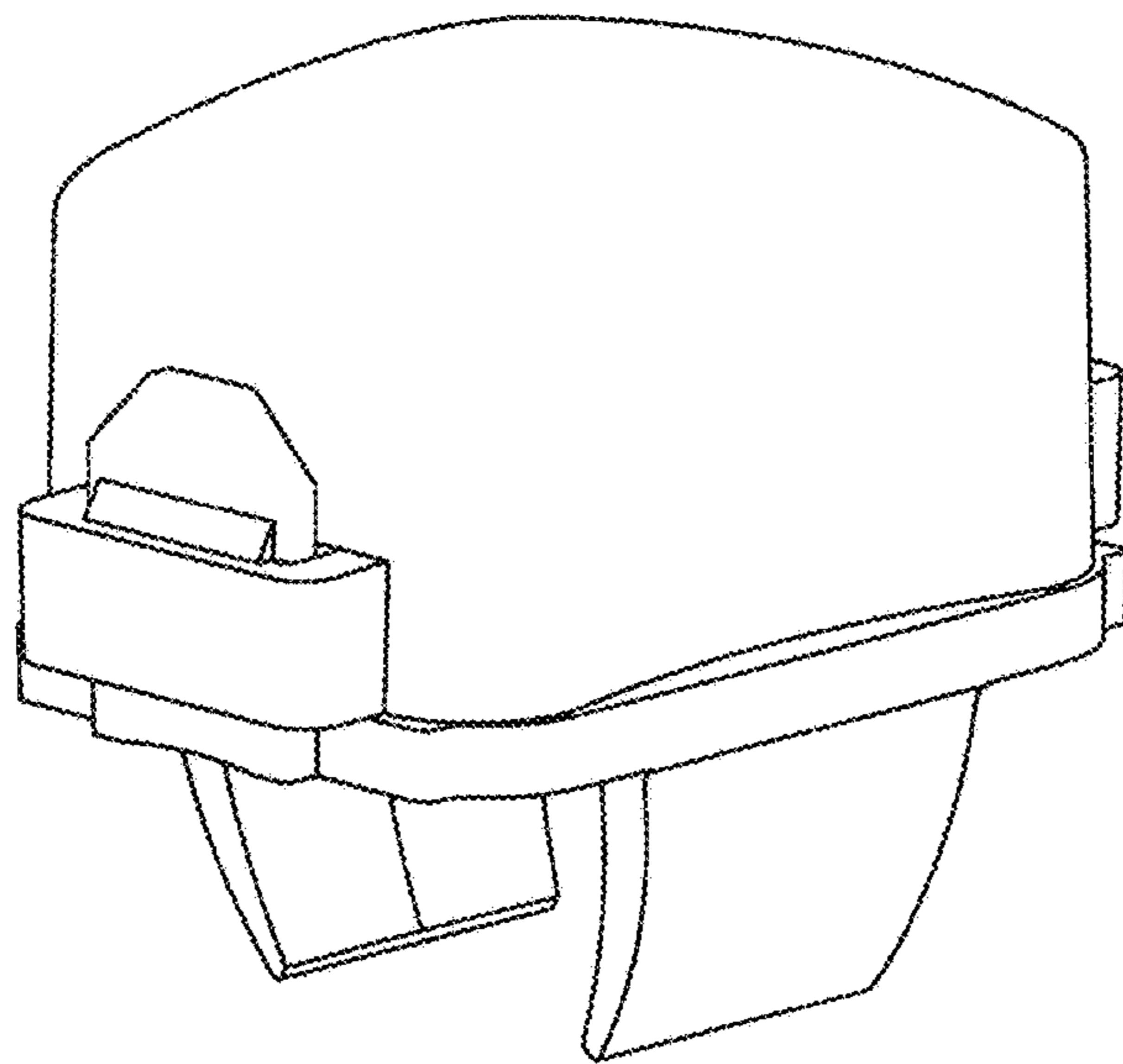


FIG. 1

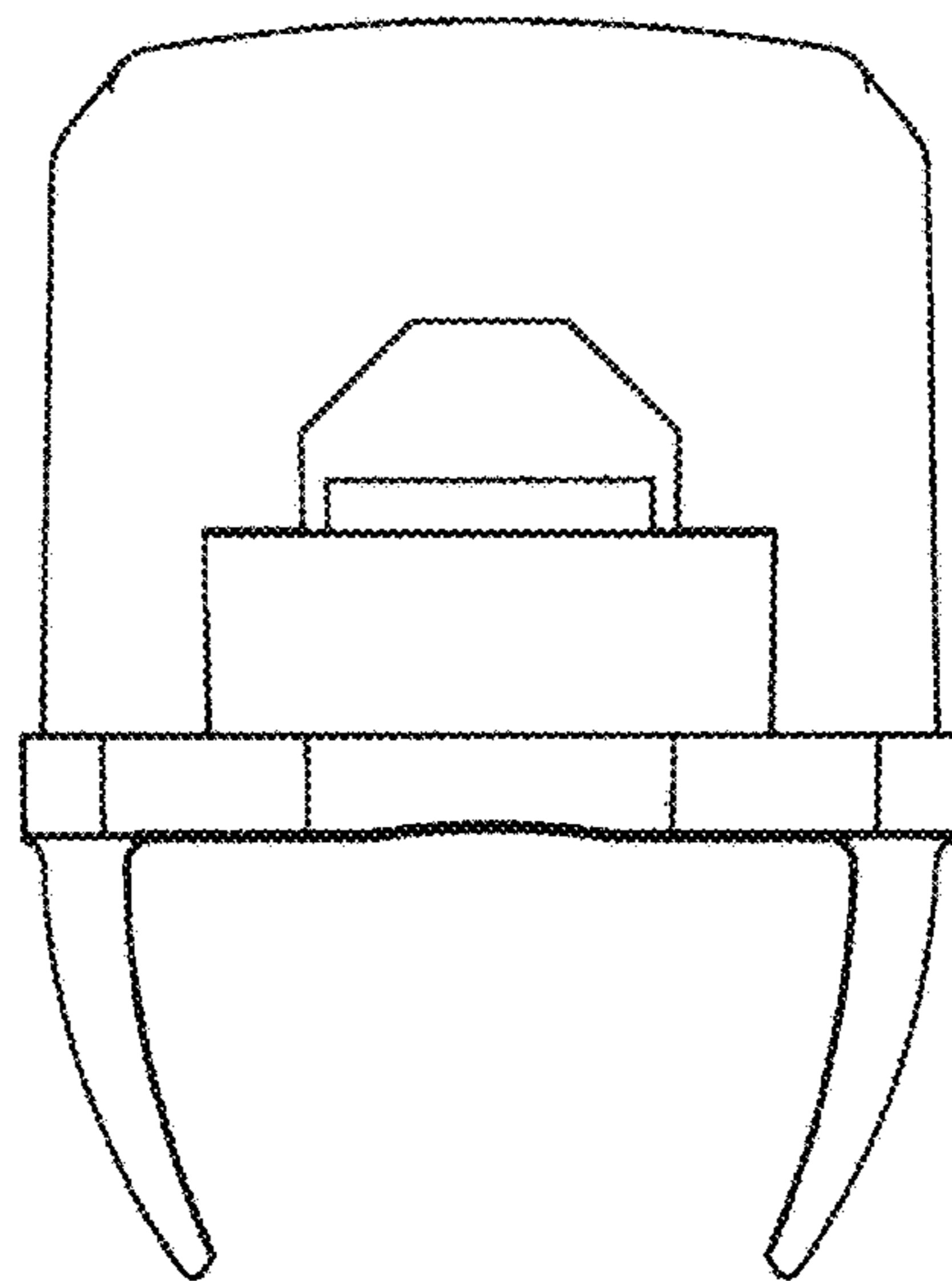


FIG. 2

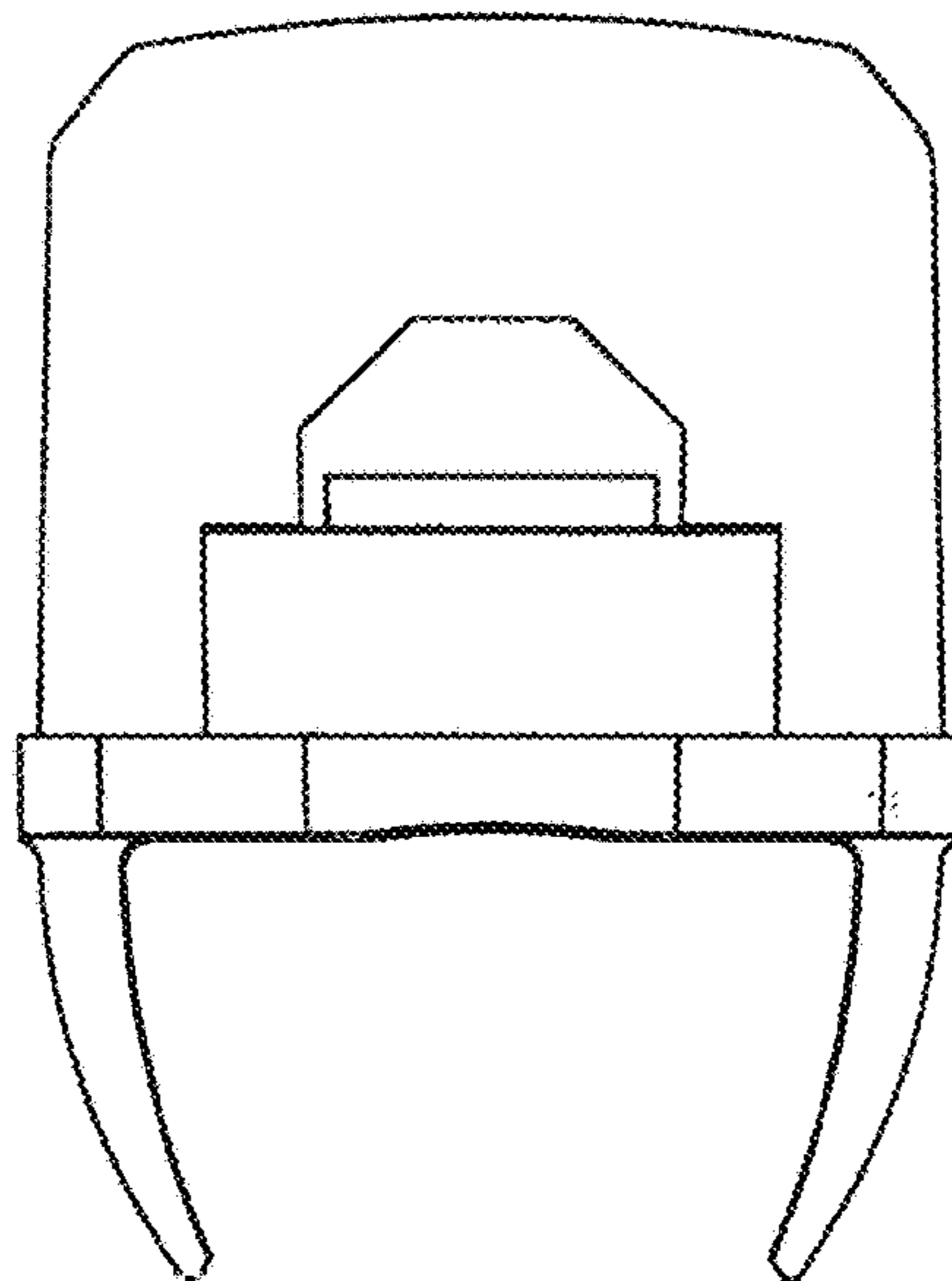


FIG. 3

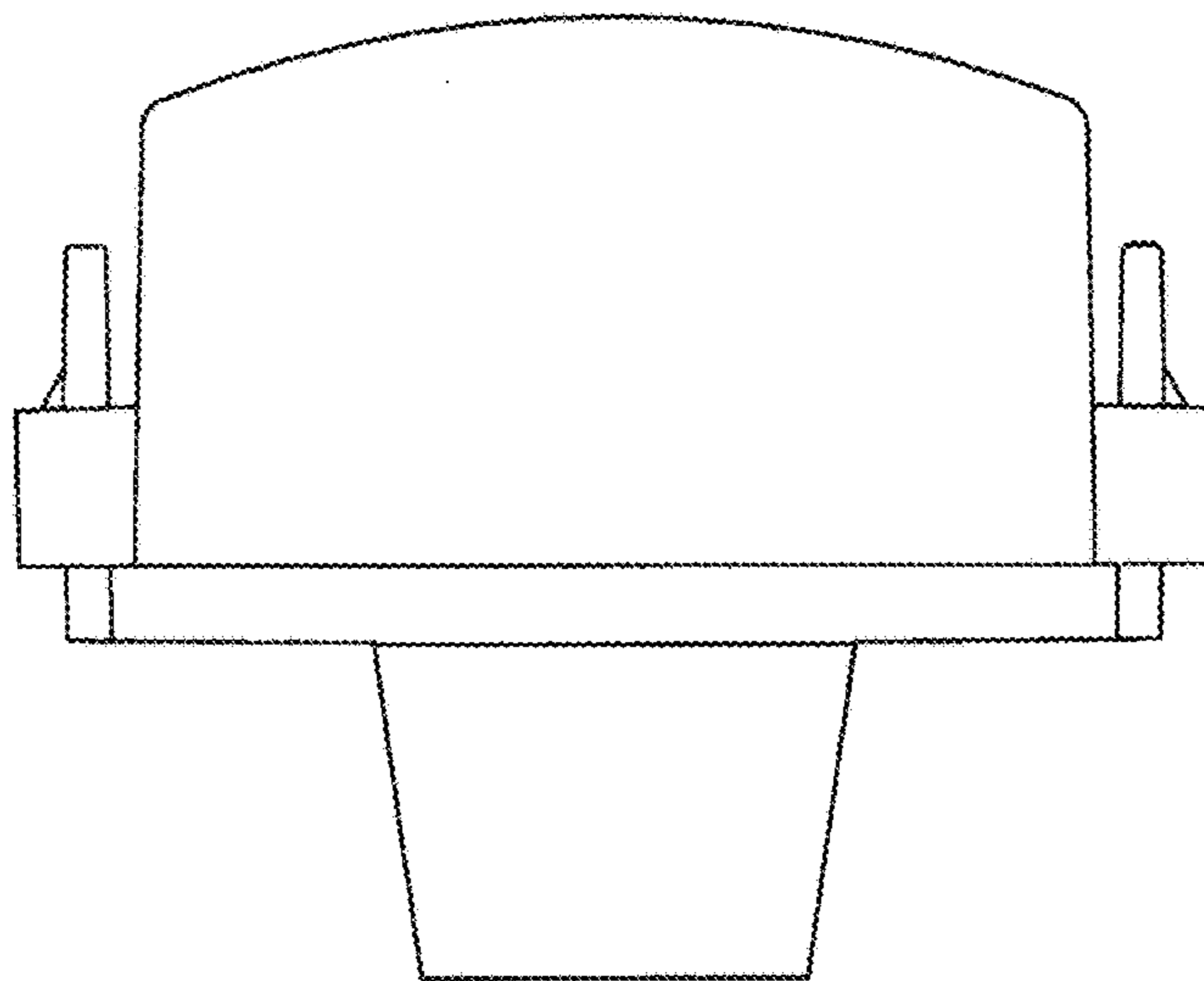


FIG. 4

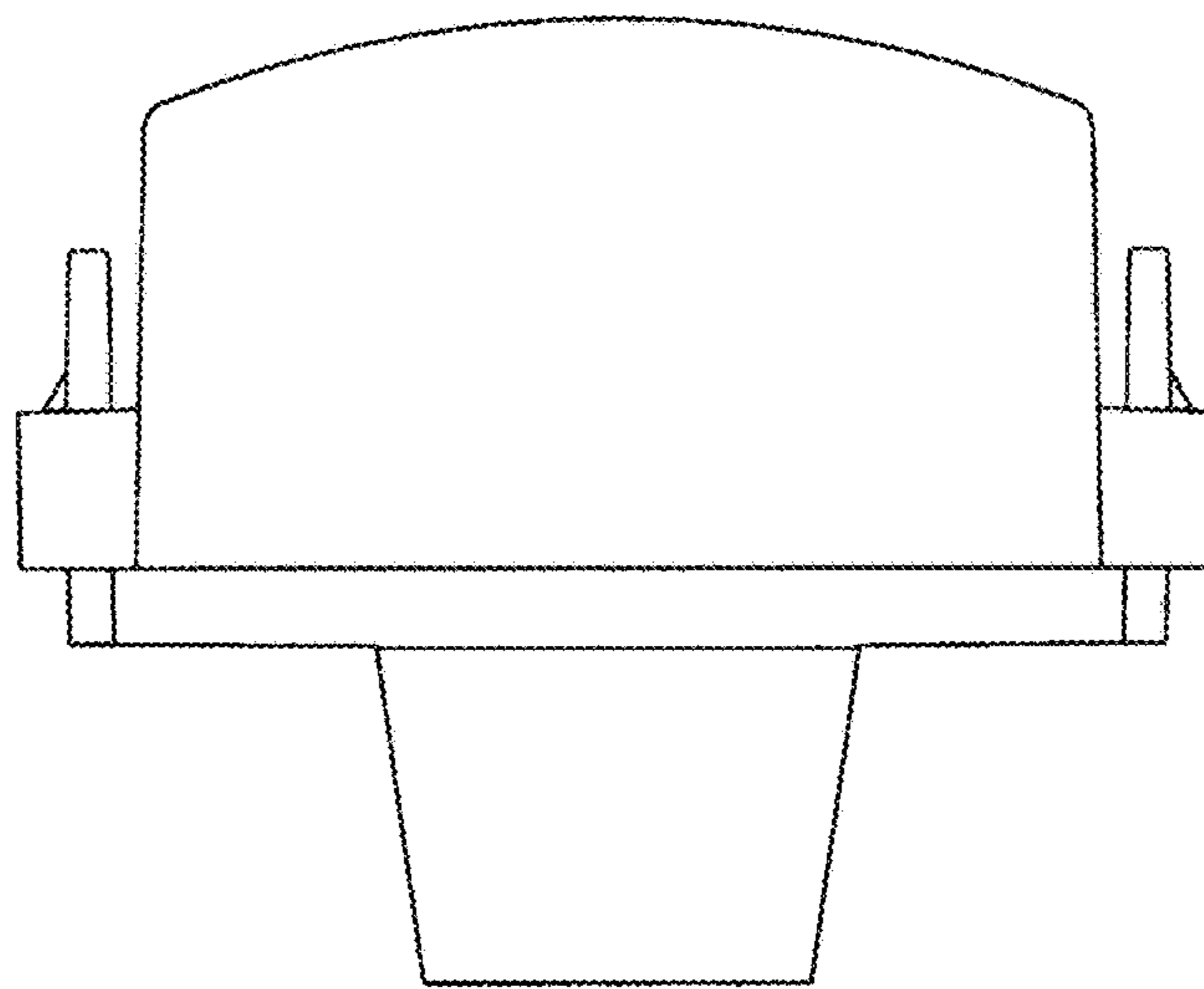


FIG. 5

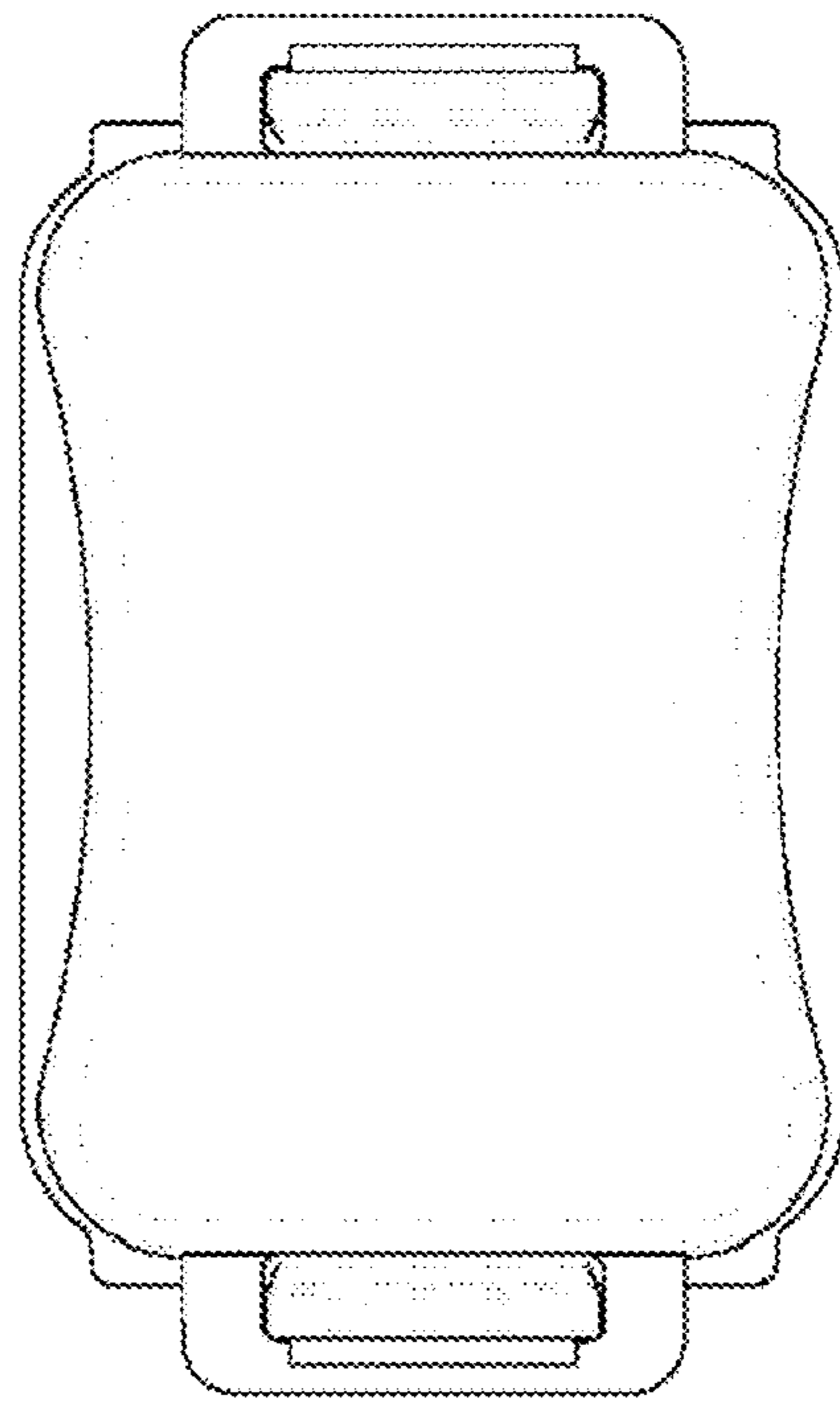


FIG. 6

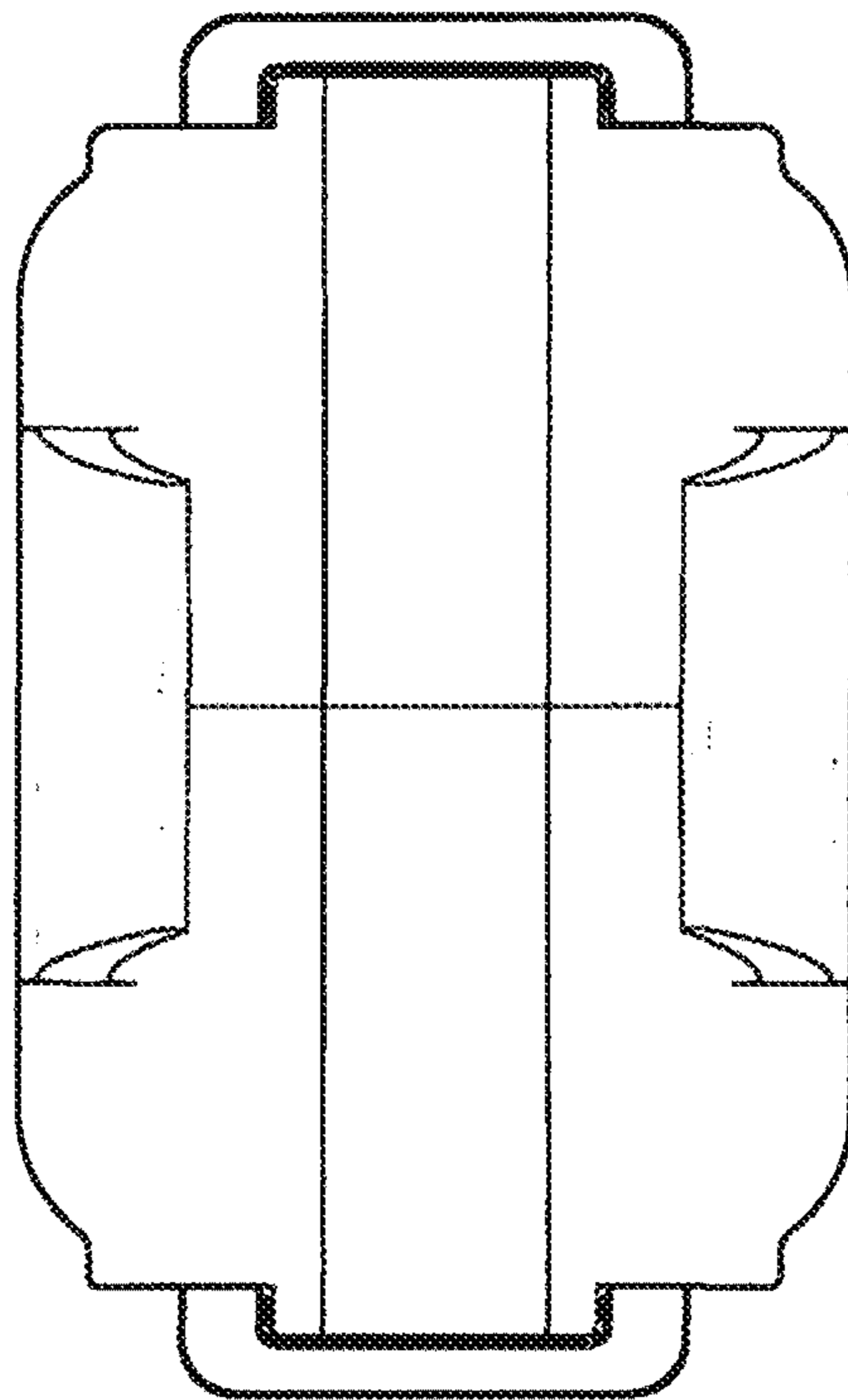


FIG. 7

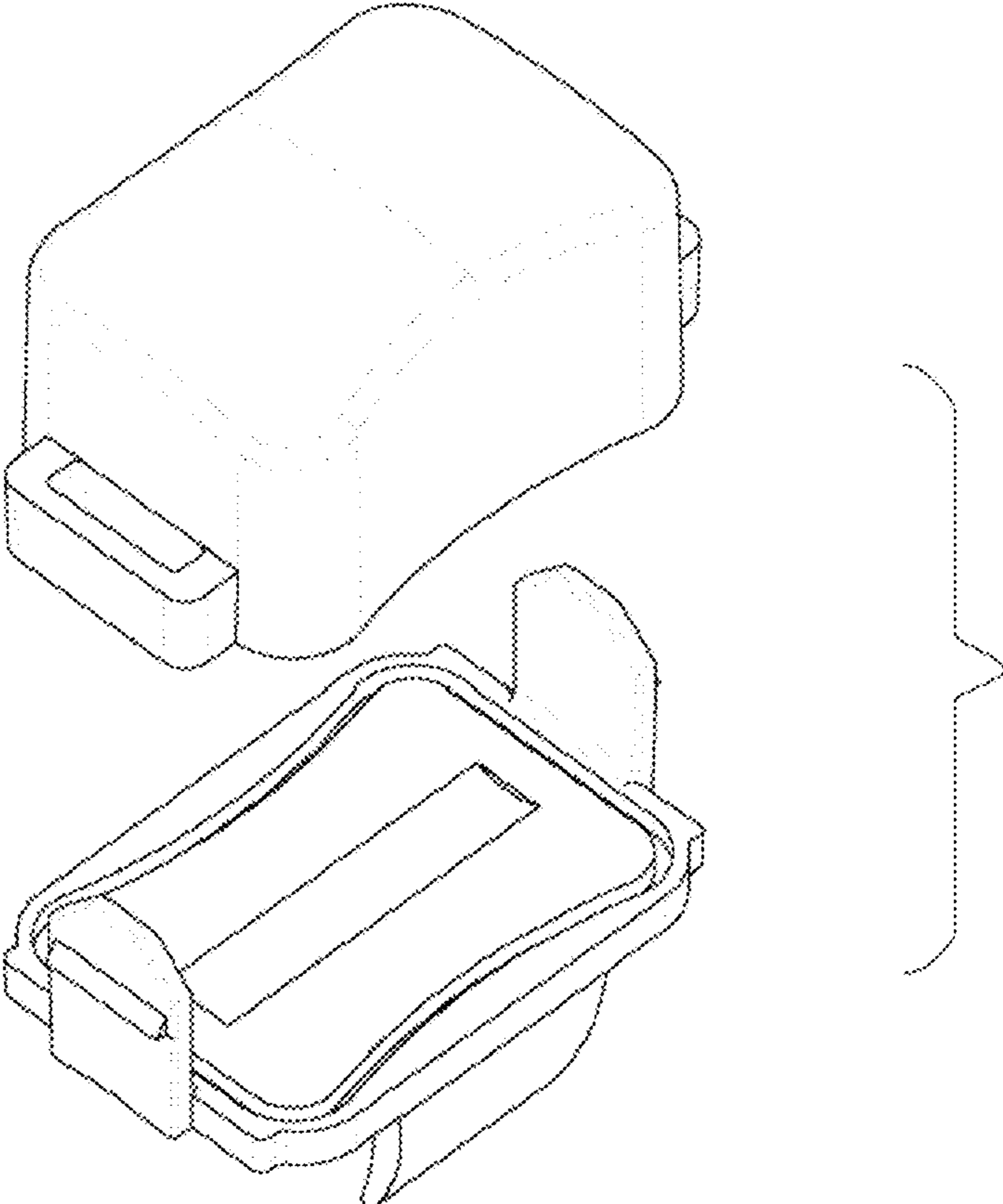


FIG. 8

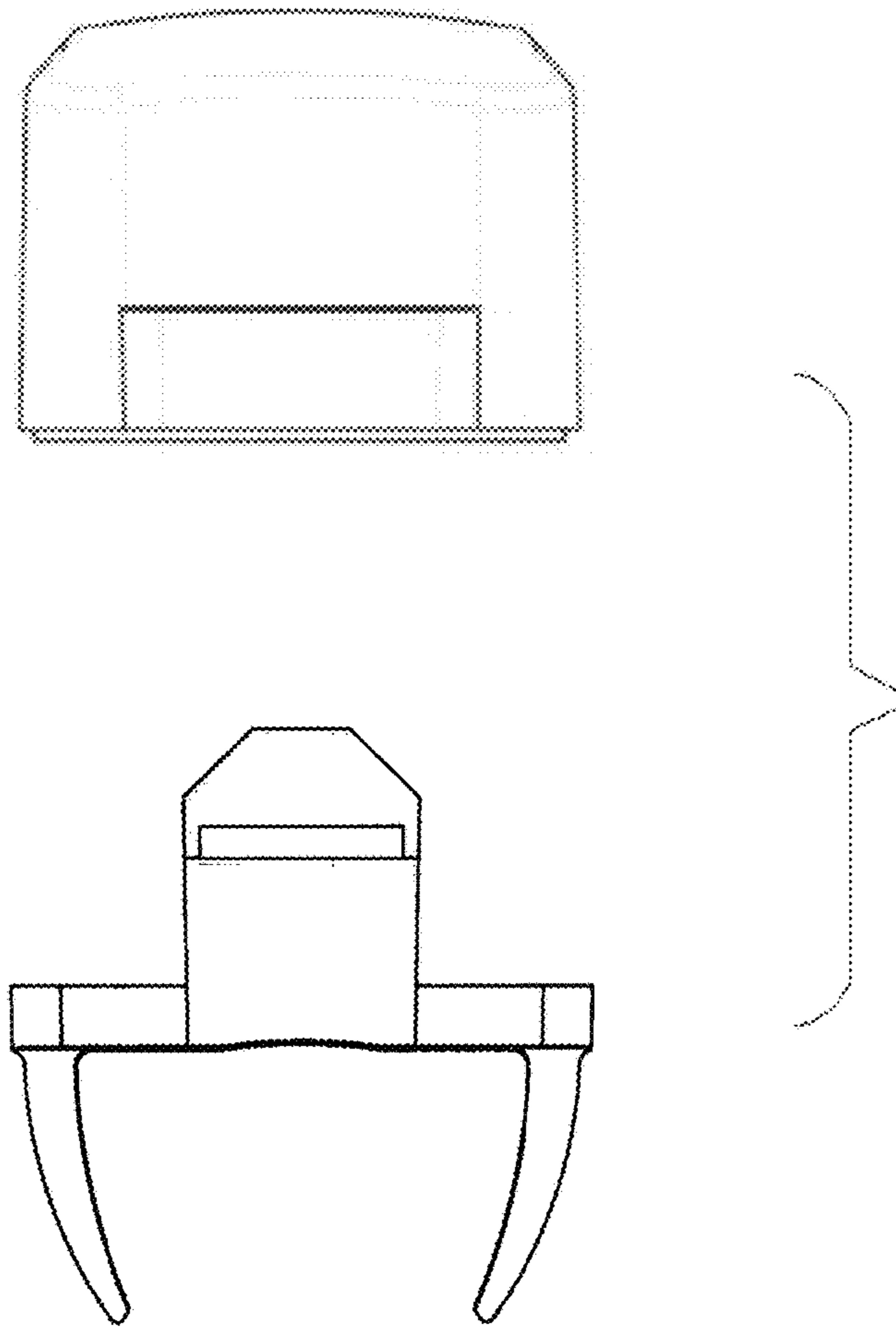


FIG. 9

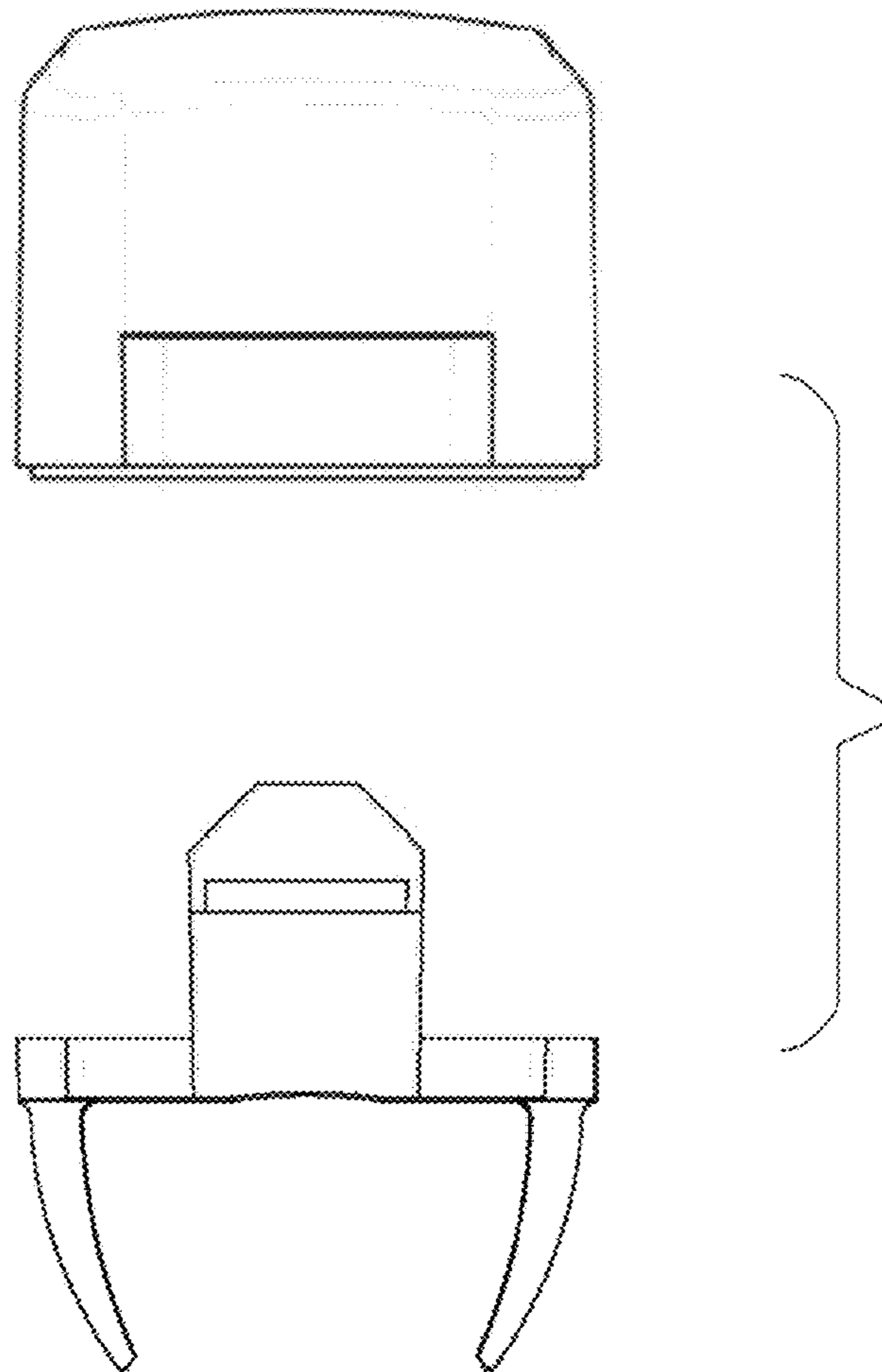


FIG. 10

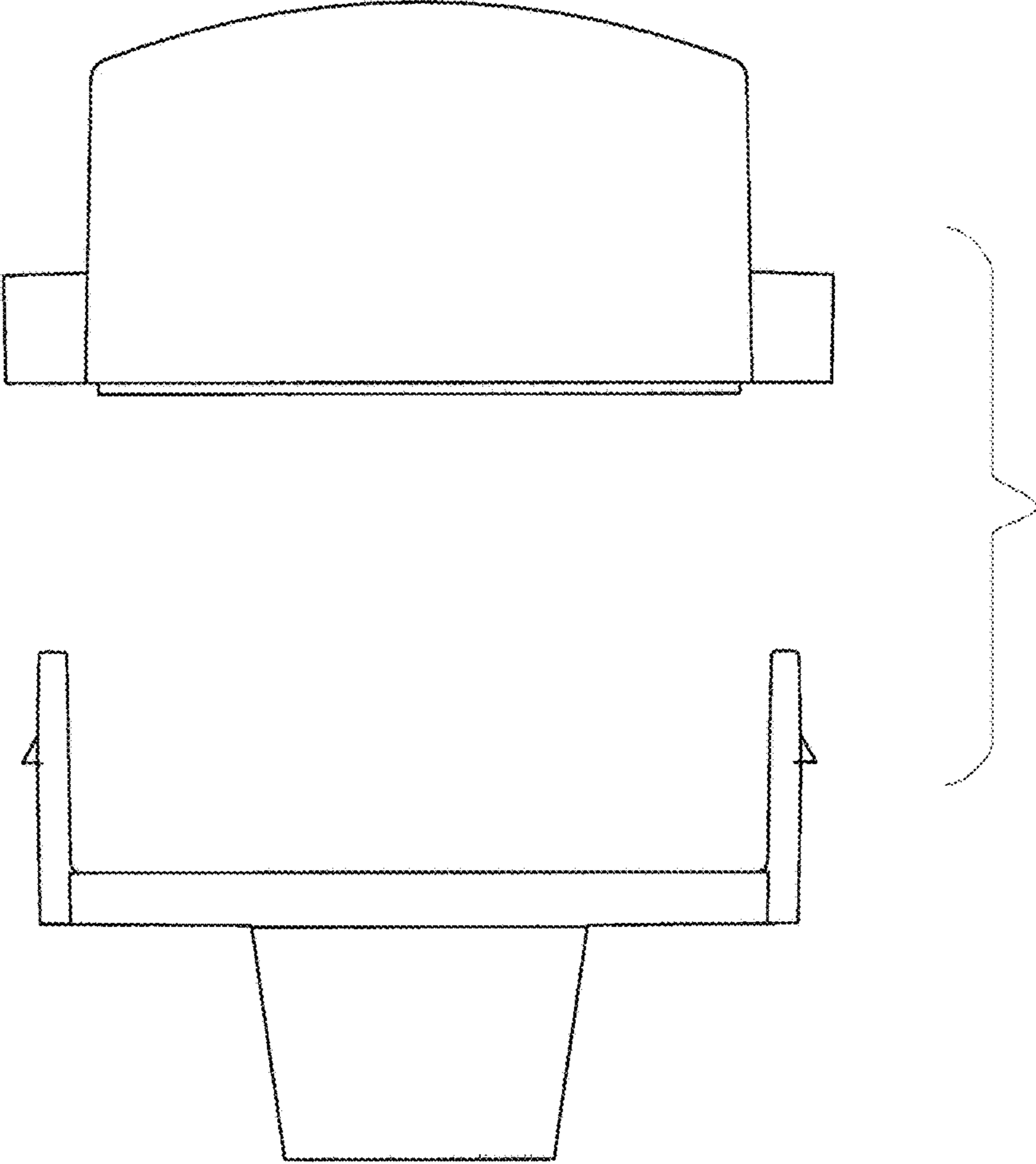


FIG. 11

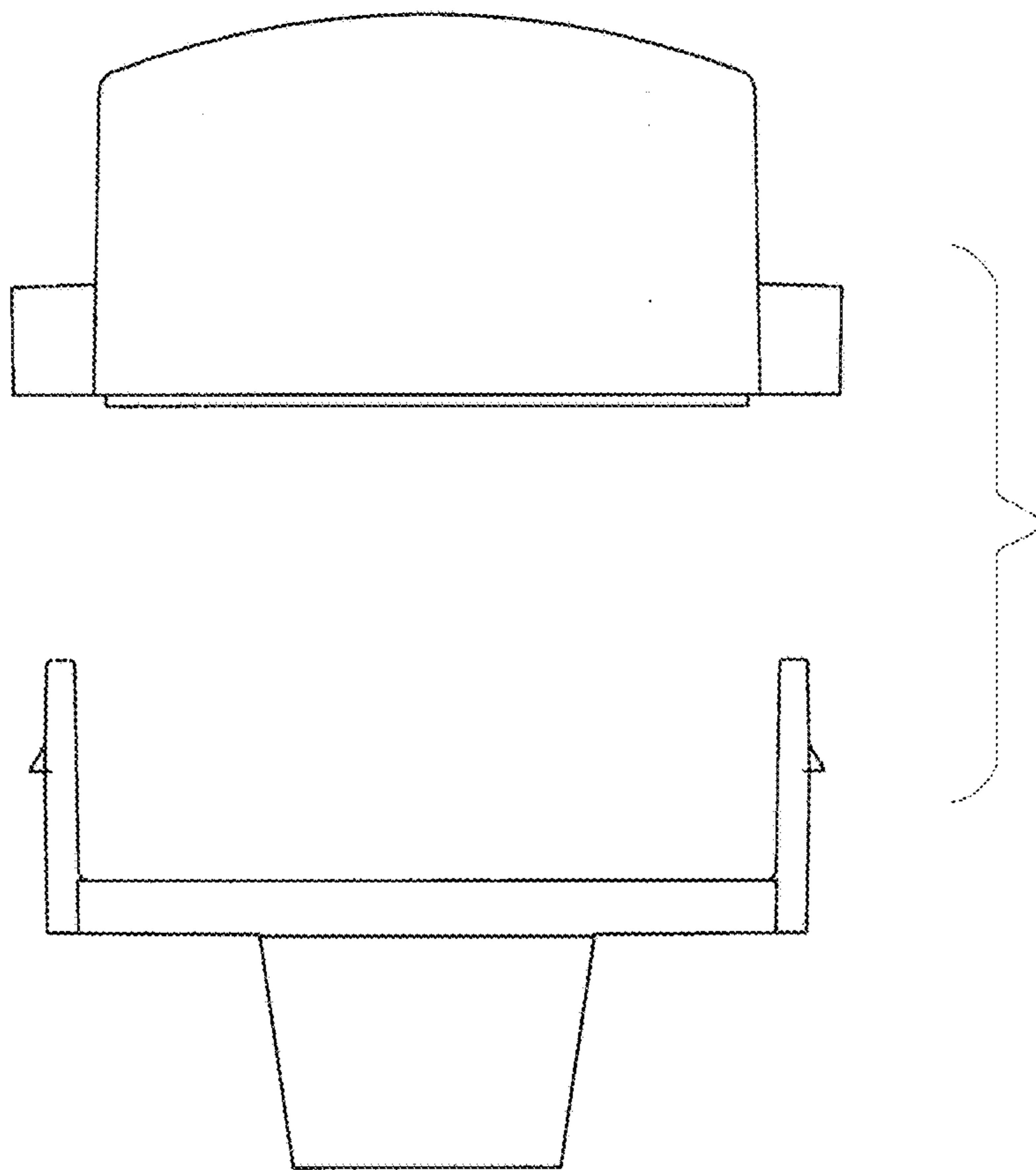


FIG. 12

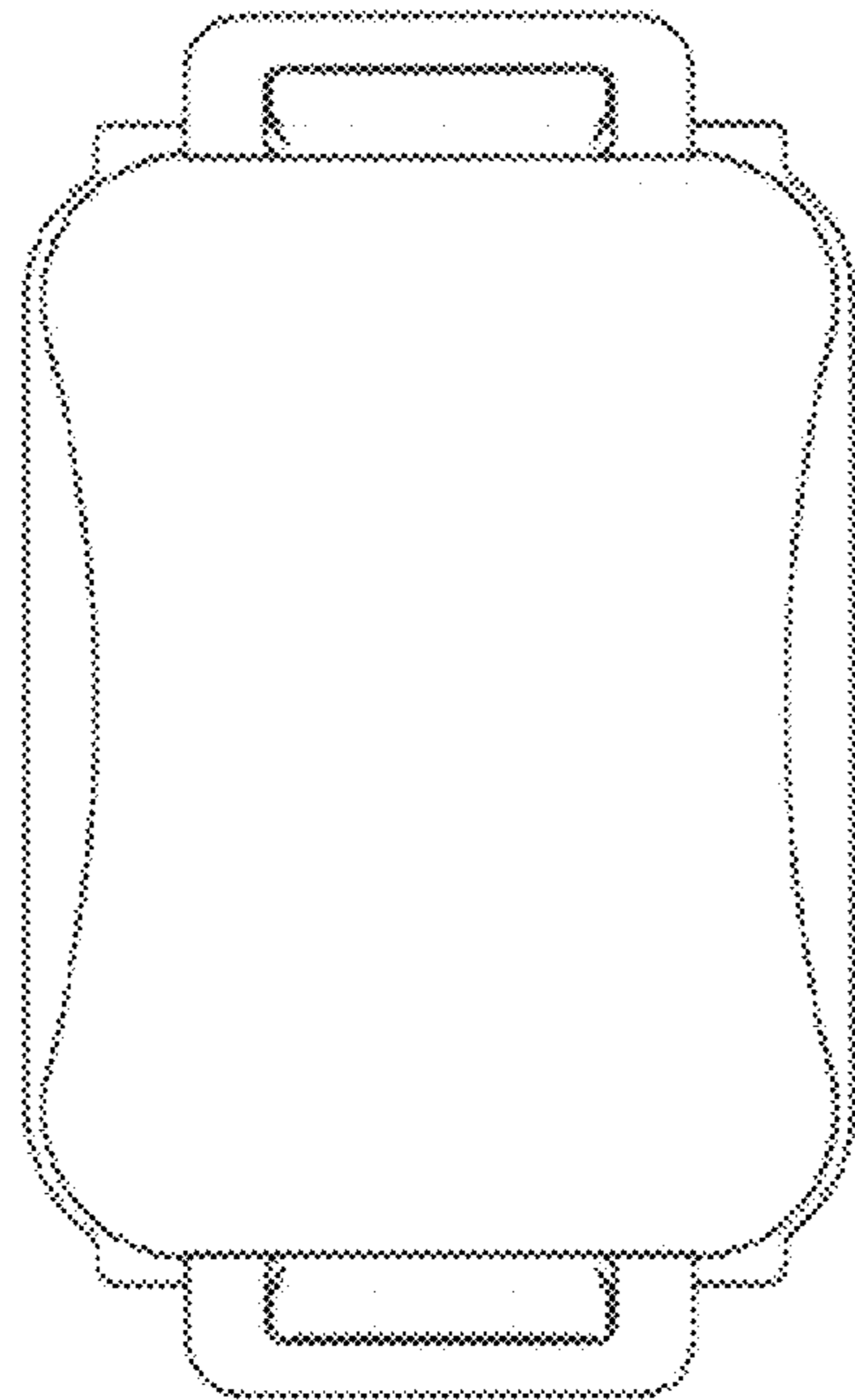


FIG. 13

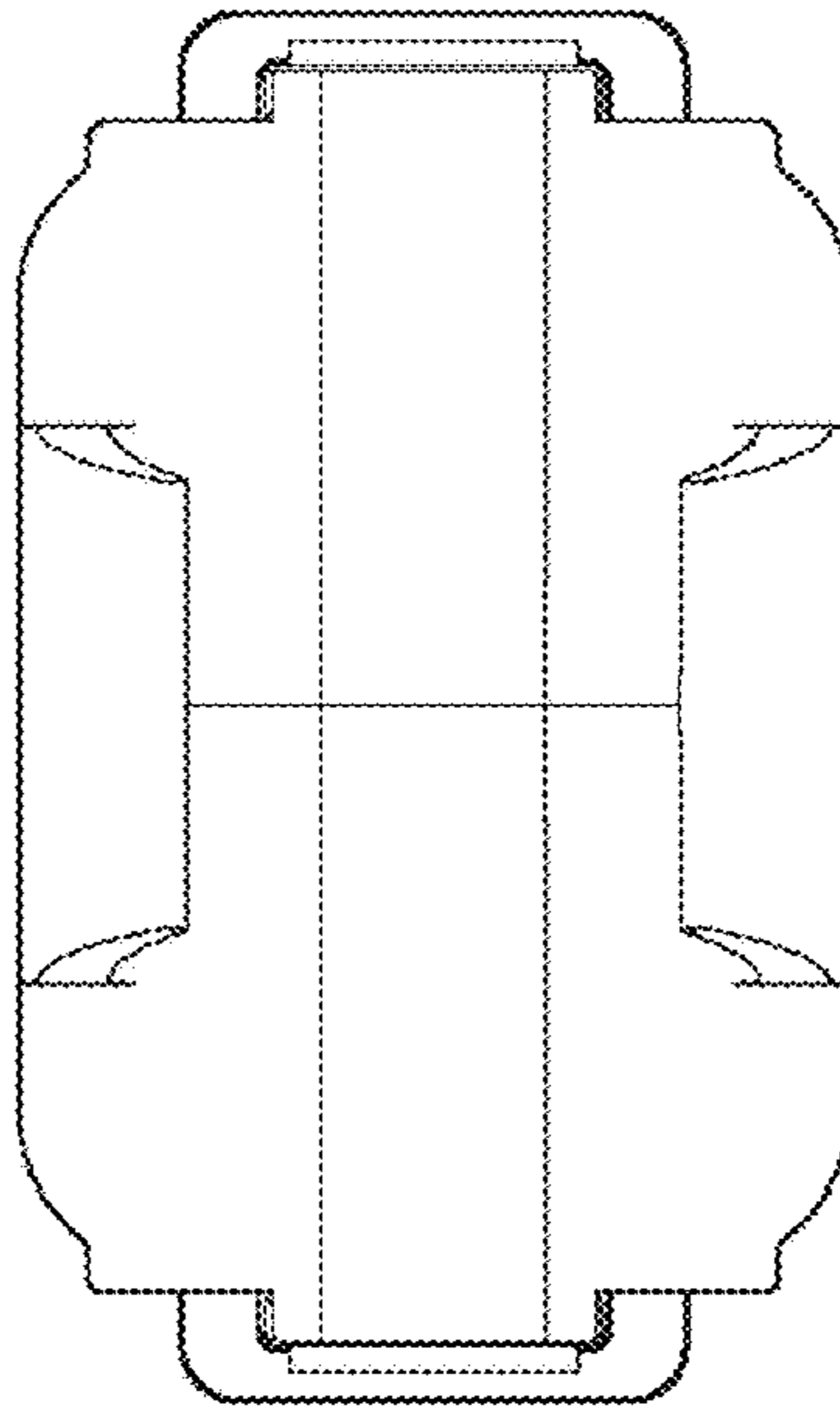


FIG. 14