

US00D866373S

(12) **United States Design Patent**  
**Yang**

(10) **Patent No.:** **US D866,373 S**

(45) **Date of Patent:** **\*\* Nov. 12, 2019**

(54) **TOOL FOR TIRE VALVE**

(71) Applicant: **Jen-Yung Yang**, Taichung (TW)

(72) Inventor: **Jen-Yung Yang**, Taichung (TW)

(\*\*) Term: **15 Years**

(21) Appl. No.: **29/659,408**

(22) Filed: **Aug. 8, 2018**

(51) **LOC (12) Cl.** ..... **08-04**

(52) **U.S. Cl.**  
USPC ..... **D10/86; D8/14**

(58) **Field of Classification Search**  
USPC ..... D8/82-87, 107; D10/85, 86  
CPC ..... B25B 15/02; B25B 15/04; B25F 1/02;  
B25G 1/085; B29C 45/1742; B29C  
45/2618; B60S 5/03; G01L 17/00; G01L  
27/02

See application file for complete search history.

(56) **References Cited**

**U.S. PATENT DOCUMENTS**

1,495,599 A \* 5/1924 Konkowski ..... G01L 17/00  
137/224  
D399,107 S \* 10/1998 Murray ..... D8/31

D403,872 S \* 1/1999 Grosfillex ..... D10/86  
6,543,112 B1 \* 4/2003 Knaebel ..... B25B 27/24  
29/221.5  
D681,491 S \* 5/2013 Stansbury ..... D10/102

\* cited by examiner

*Primary Examiner* — Randall H Gholson

(74) *Attorney, Agent, or Firm* — Guice Patents PLLC

(57) **CLAIM**

The ornamental design for tool for tire valve, shown and described.

**DESCRIPTION**

FIG. 1 is a perspective view showing the front, right side and top of my new design for a tool for tire valve.

FIG. 2 is a front view thereof;

FIG. 3 is a rear view thereof;

FIG. 4 is a left view thereof;

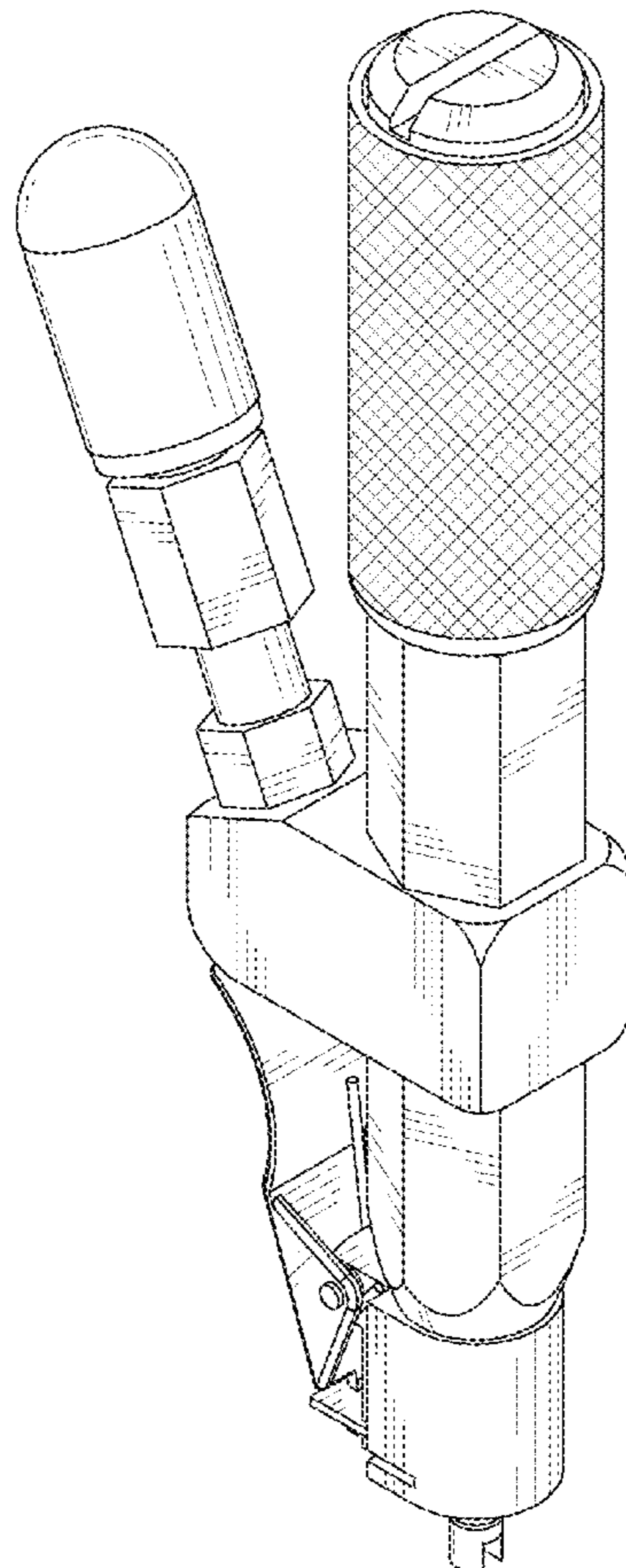
FIG. 5 is a right view thereof;

FIG. 6 is a top view thereof;

FIG. 7 is a perspective view thereof showing the tool for tire valve in use; and,

FIG. 7 is a perspective view showing the using reference.

**1 Claim, 6 Drawing Sheets**



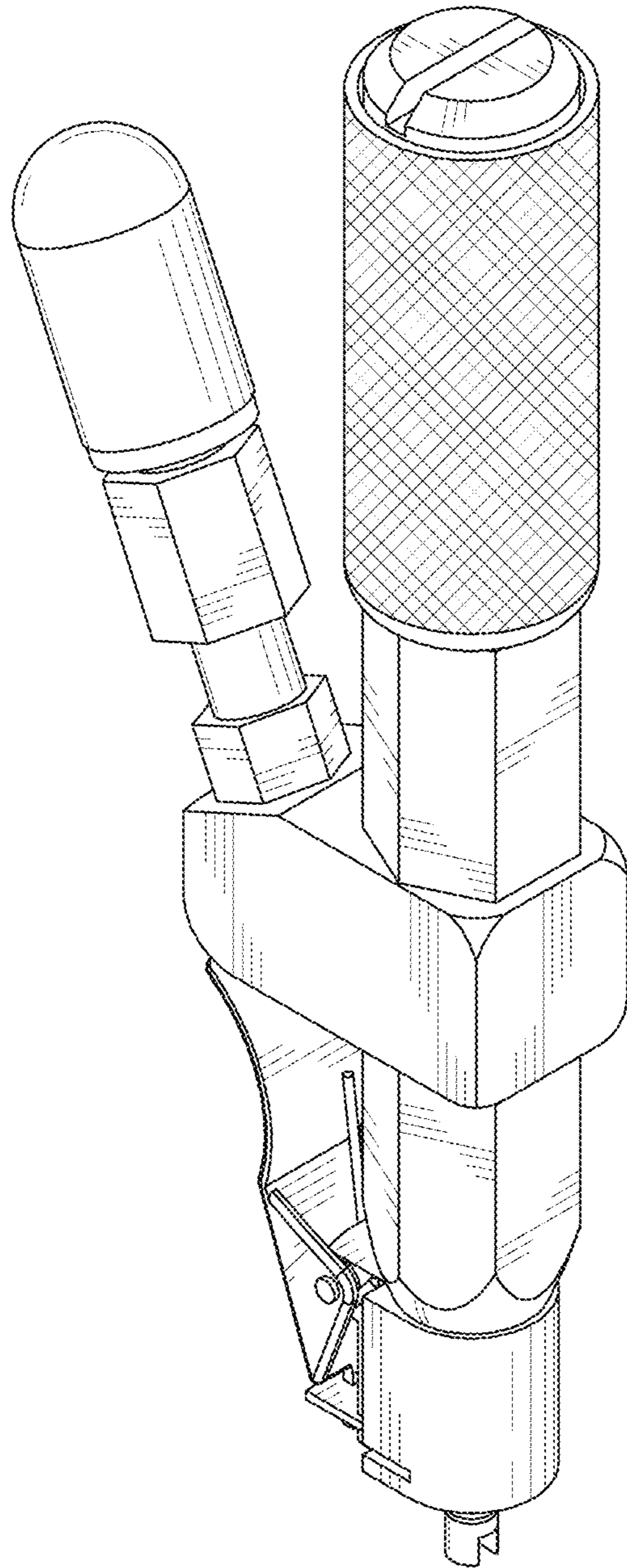


Fig. 1

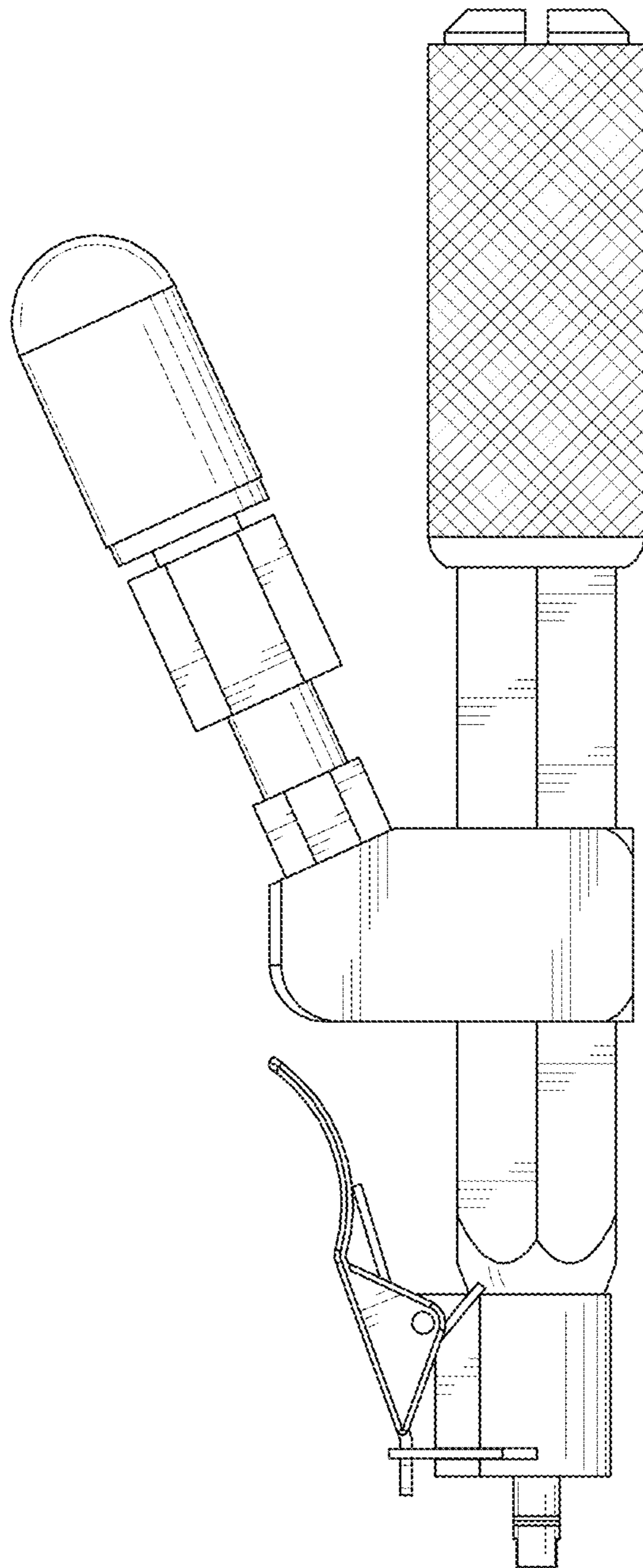


Fig. 2

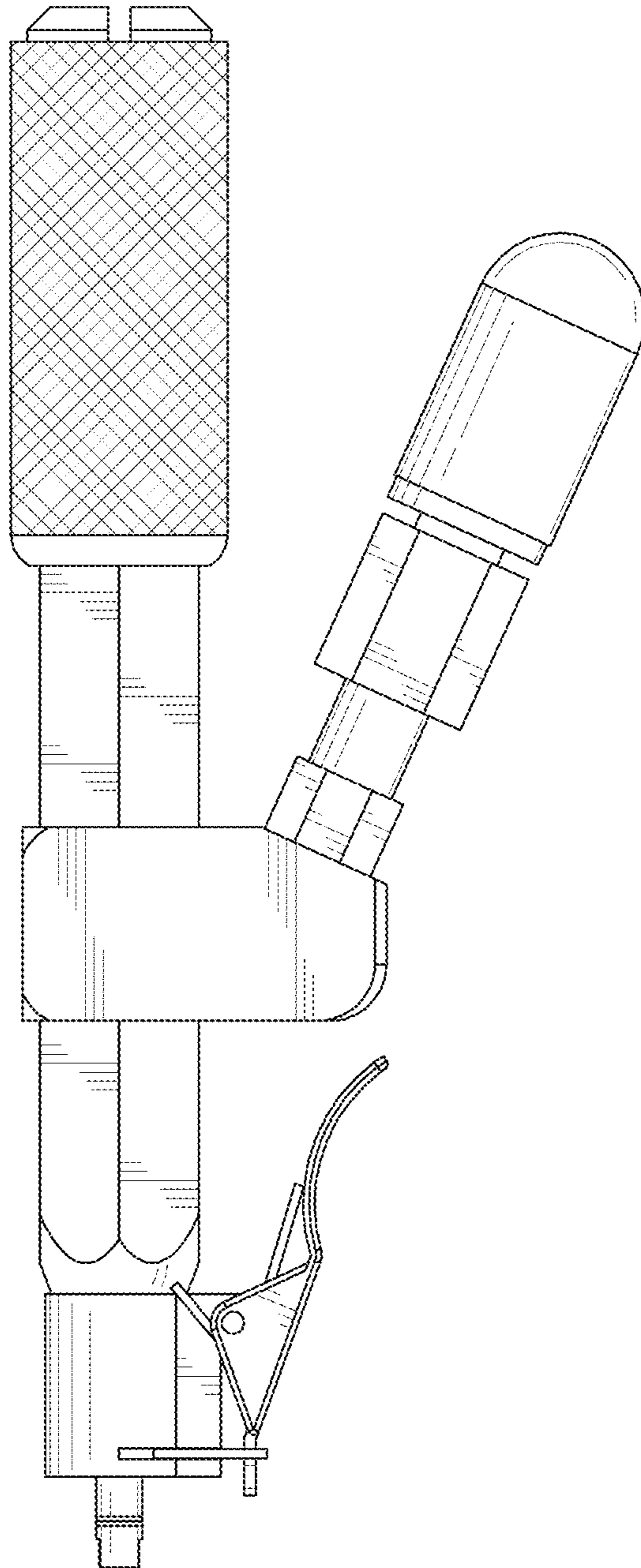


Fig. 3

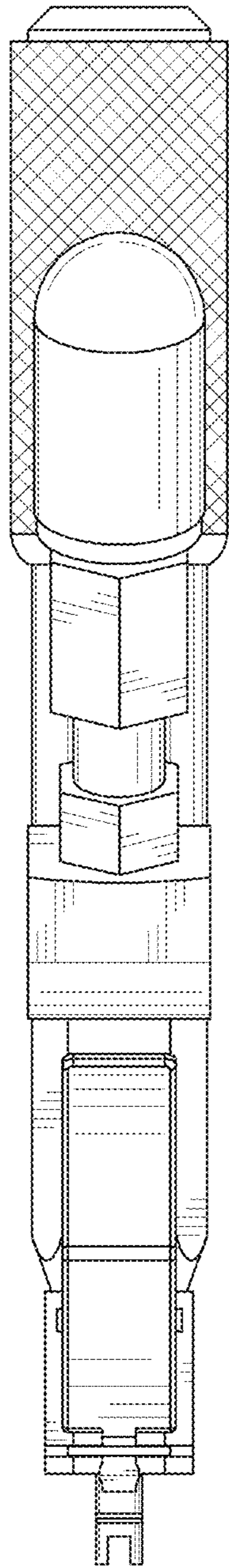


Fig. 4

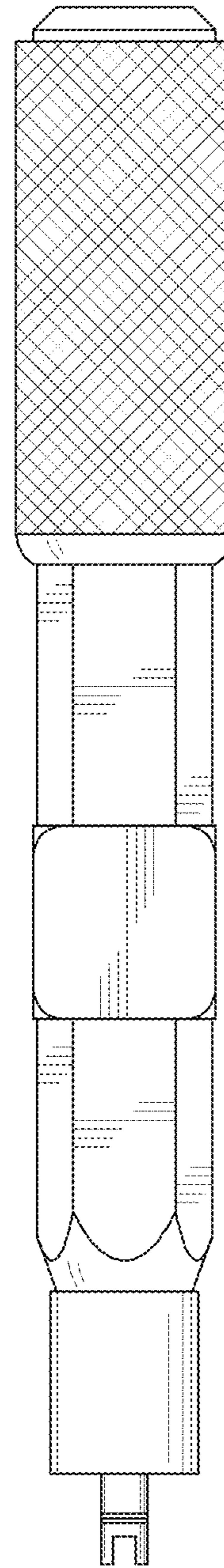


Fig. 5

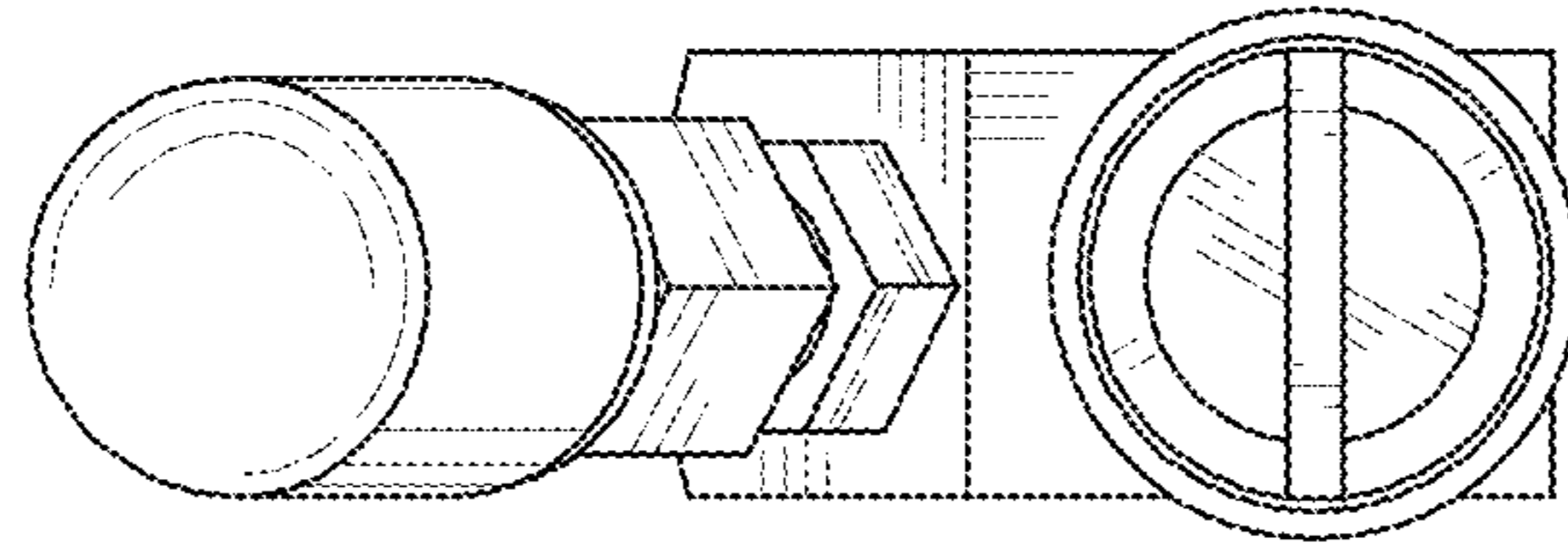


Fig. 6

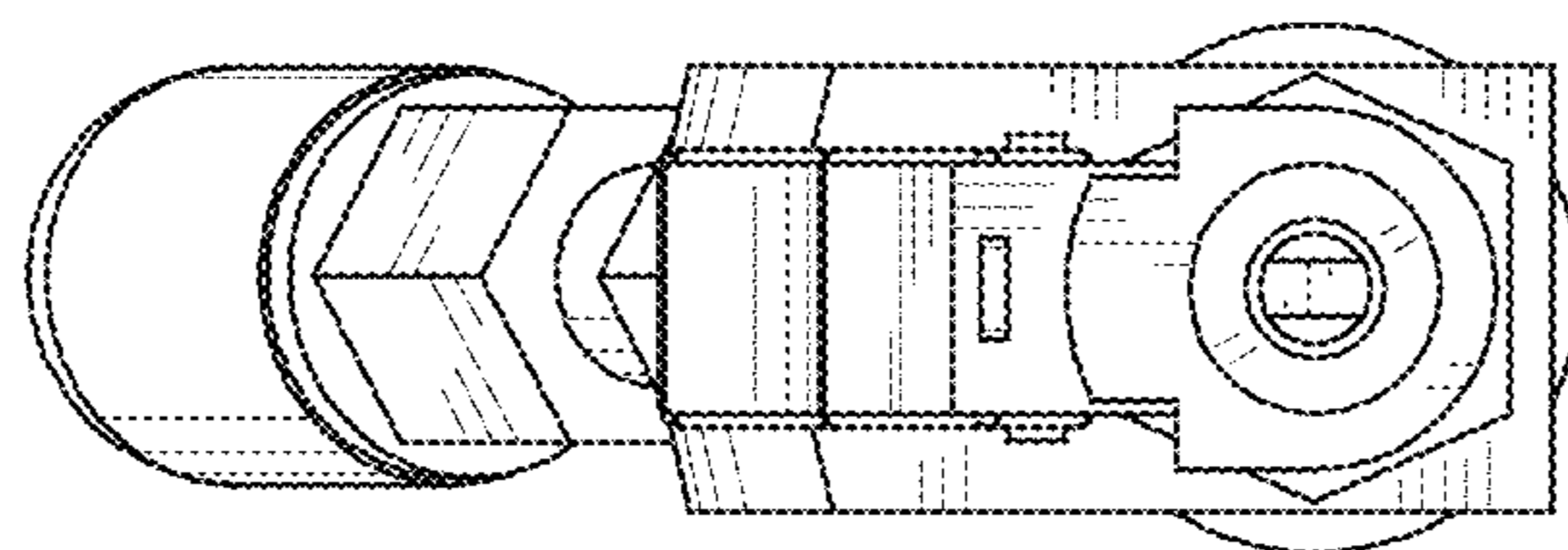


Fig. 7

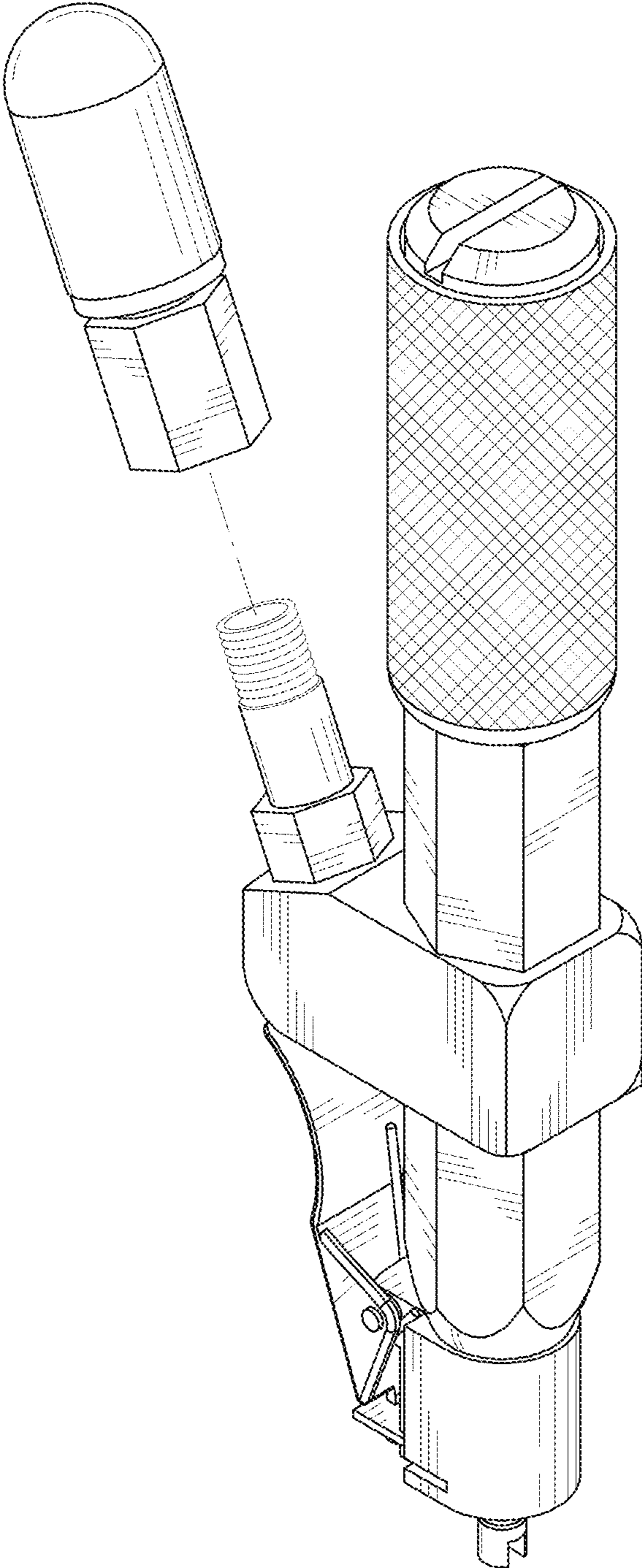


Fig. 8