



US00D866372S

(12) **United States Design Patent** (10) **Patent No.:** **US D866,372 S**
Ogomi et al. (45) **Date of Patent:** **** Nov. 12, 2019**

(54) **MAGNETIC READING SENSOR**

(71) Applicant: **Mitsubishi Electric Corporation,**
Tokyo (JP)

(72) Inventors: **Tomokazu Ogomi,** Tokyo (JP); **Kenji Shimohata,** Tokyo (JP); **Hideki Matsui,** Tokyo (JP); **Sadaaki Yoshioka,** Tokyo (JP)

(73) Assignee: **Mitsubishi Electric Corporation,**
Tokyo (JP)

(**) Term: **15 Years**

(21) Appl. No.: **29/674,122**

(22) Filed: **Dec. 19, 2018**

Related U.S. Application Data

(62) Division of application No. 29/631,730, filed on Jan. 2, 2018.

(30) **Foreign Application Priority Data**

Jul. 18, 2017 (JP) 2017-015418
Jul. 18, 2017 (JP) 2017-015419
Jul. 18, 2017 (JP) 2017-015420
Jul. 18, 2017 (JP) 2017-015421
Jul. 18, 2017 (JP) 2017-015422

(51) **LOC (12) Cl.** **10-04**

(52) **U.S. Cl.**
USPC **D10/75**

(58) **Field of Classification Search**
USPC D10/46, 75
CPC G01R 33/02; G01R 33/0385; G01R 33/06;
G01R 33/09; G01R 33/091; G01R
33/096; G01D 5/16; G07D 7/04
See application file for complete search history.

(56) **References Cited**

U.S. PATENT DOCUMENTS

2,974,277 A * 3/1961 Wales G01R 33/02
324/258
D593,426 S * 6/2009 Huang D10/46
D835,099 S * 12/2018 Brine D10/46
2017/0047506 A1* 2/2017 Annunziata H01L 43/02
2018/0329012 A1* 11/2018 Ueyama G01R 33/02

* cited by examiner

Primary Examiner — Antoine Duval Davis

(74) *Attorney, Agent, or Firm* — Stuebaker & Brackett
PC

(57) **CLAIM**

The ornamental design for a magnetic reading sensor, as shown and described.

DESCRIPTION

FIG. 1 is a front, top, and right side perspective view of a magnetic reading sensor showing our new design;
FIG. 2 is a front view thereof;
FIG. 3 is a rear view thereof;
FIG. 4 is a left side view thereof;
FIG. 5 is a right side view thereof;
FIG. 6 is a top view thereof;
FIG. 7 is a bottom view thereof; and,
FIG. 8 is an enlarged partial view of FIG. 1 thereof.
The broken lines set forth in the several figures illustrate portions of the magnetic reading sensor that form no part of the claimed design.

1 Claim, 8 Drawing Sheets

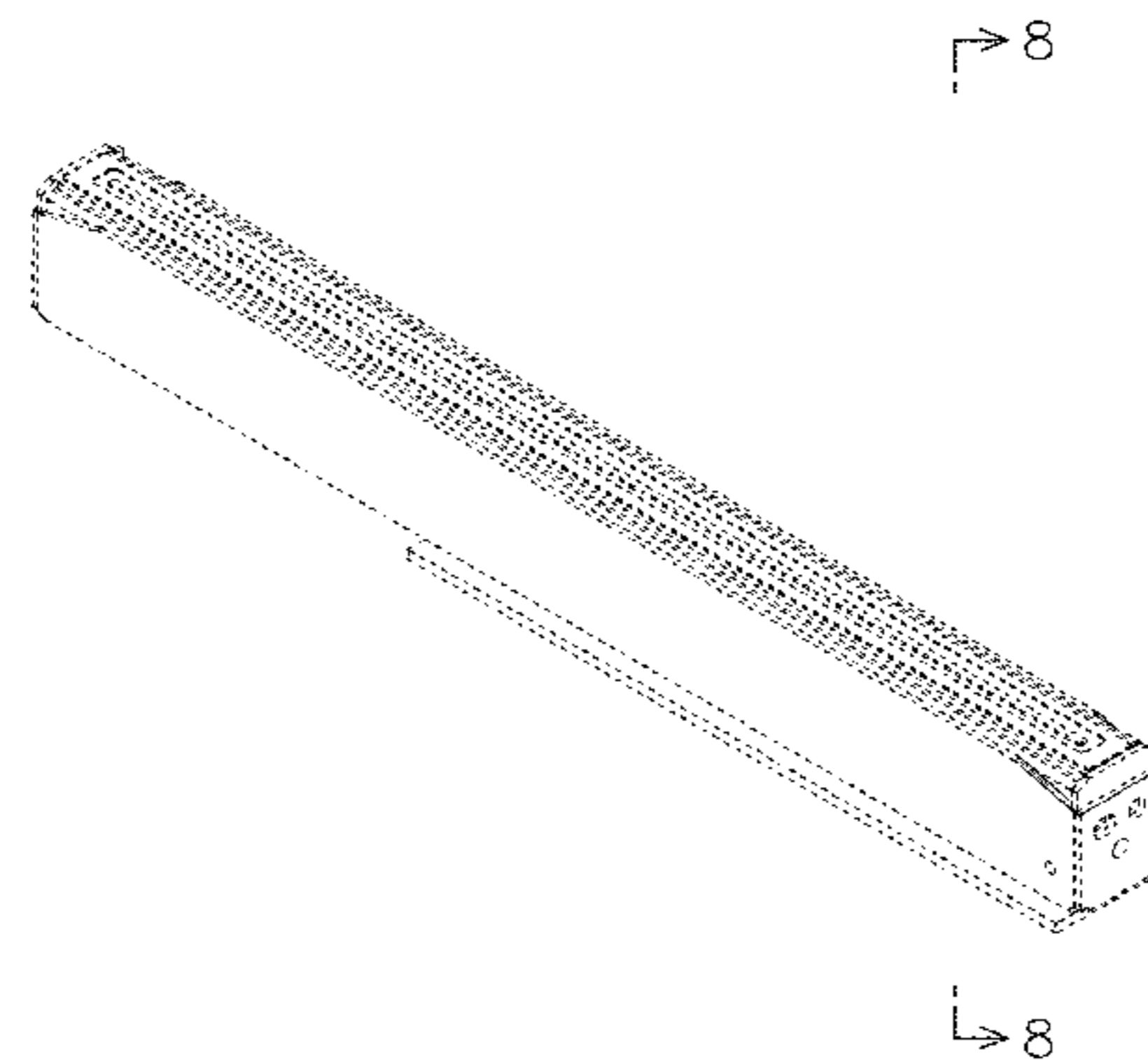


Fig.1

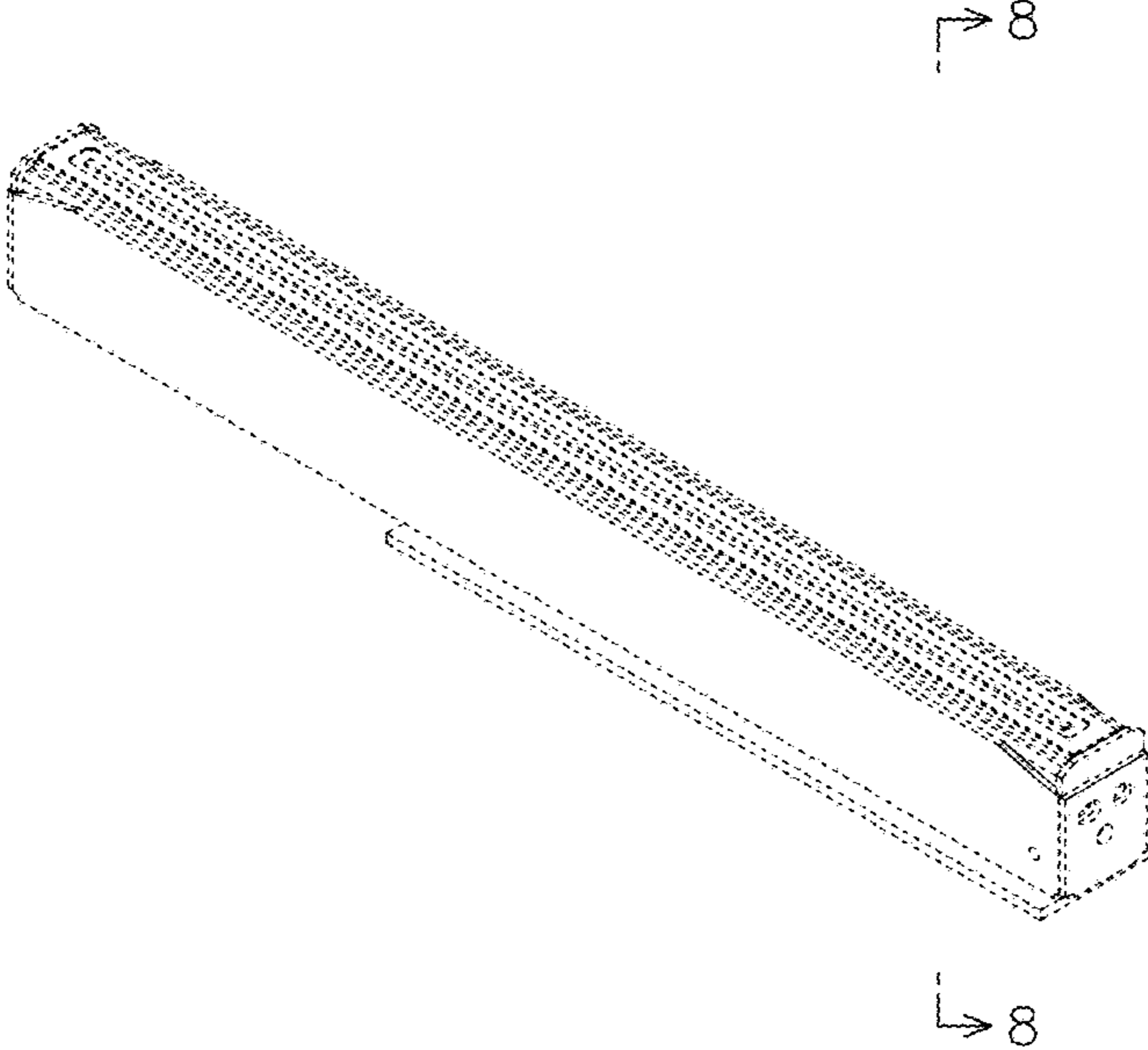


Fig.2

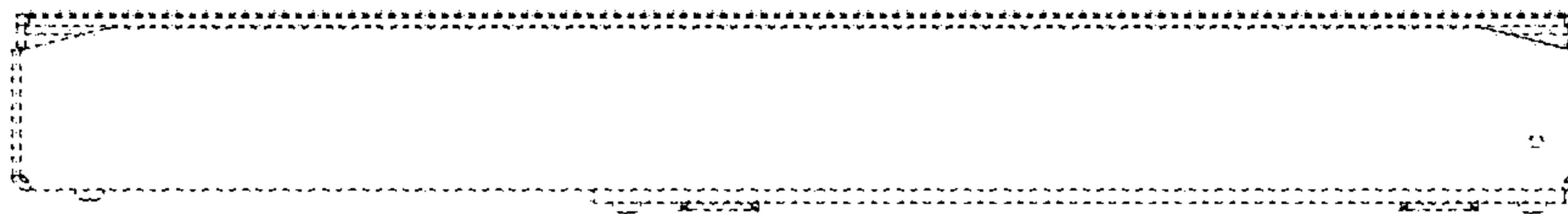


Fig.3

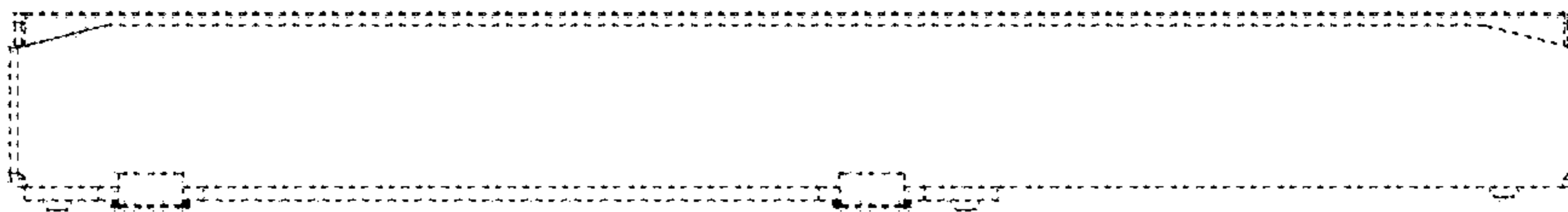


Fig.4



Fig.5



Fig.6

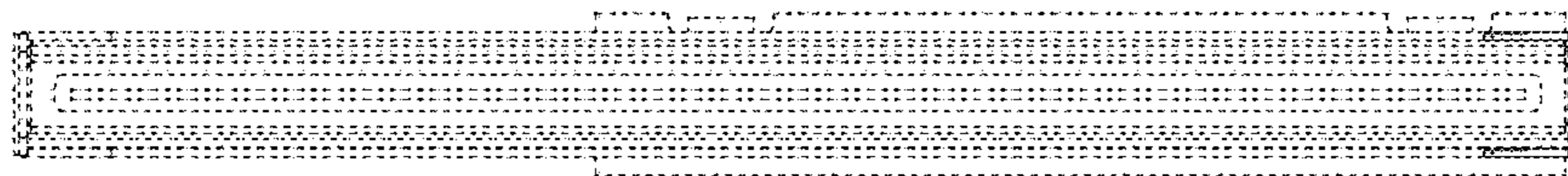


Fig.7

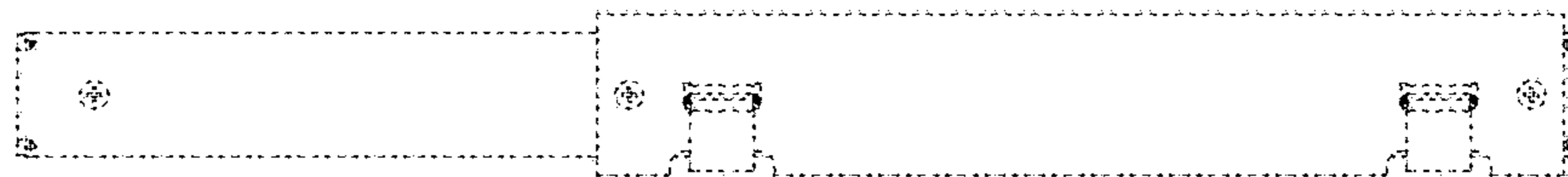


Fig.8

