



US00D866371S

(12) **United States Design Patent**  
**Wheaton et al.**

(10) **Patent No.:** **US D866,371 S**

(45) **Date of Patent:** **\*\* Nov. 12, 2019**

(54) **TRACKING DEVICE**

(71) Applicant: **Tile, Inc.**, San Mateo, CA (US)

(72) Inventors: **Christopher Sean Wheaton**, San Francisco, CA (US); **Cole Justin Derby**, East Palo Alto, CA (US); **Matthew Edward Kramer**, Los Gatos, CA (US); **Michael George Farley**, Foster City, CA (US)

(73) Assignee: **Tile, Inc.**, San Mateo, CA (US)

(\*\*) Term: **15 Years**

(21) Appl. No.: **29/656,290**

(22) Filed: **Jul. 11, 2018**

(51) **LOC (12) Cl.** ..... **10-04**

(52) **U.S. Cl.**  
USPC ..... **D10/70; D10/104.2**

(58) **Field of Classification Search**  
USPC ..... D10/70, 104.2, 106.92, 106.94  
CPC .... G08B 13/126; G08B 13/128; G08B 13/14;  
G08B 13/1427; G08B 13/1409; G08B  
13/1436; G08B 13/1445; G08B 13/1463;  
G08B 13/1472; G08B 13/1481; G08B  
13/149; G08B 13/2428; G08B 13/2434;  
G08B 13/2437; G08B 21/24; G09F 3/18;  
G09F 3/185; G09F 3/20; G09F 3/201;  
G09F 3/202; G09F 3/203; G09F 3/204;  
G09F 3/205; G09F 3/206; G09F 3/207;  
G09F 3/208

See application file for complete search history.

(56) **References Cited**

U.S. PATENT DOCUMENTS

D723,957 S	*	3/2015	Evans	.....	D10/70
D748,507 S	*	2/2016	Evans	.....	D10/70
D790,996 S	*	7/2017	Farley	.....	D10/104.2
D817,198 S	*	5/2018	Farley	.....	D10/70
D837,073 S	*	1/2019	Behar	.....	D10/70
D837,671 S	*	1/2019	Behar	.....	D10/70

\* cited by examiner

*Primary Examiner* — Antoine Duval Davis

(74) *Attorney, Agent, or Firm* — Fenwick & West LLP

(57) **CLAIM**

The ornamental design for a tracking device, as shown and described.

**DESCRIPTION**

FIG. 1 is a top, front, and right side perspective view of a tracking device;

FIG. 2 is a bottom, rear, and left side perspective view thereof;

FIG. 3 is a front elevational view thereof;

FIG. 4 is a rear elevational view thereof;

FIG. 5 is a left side elevational view thereof;

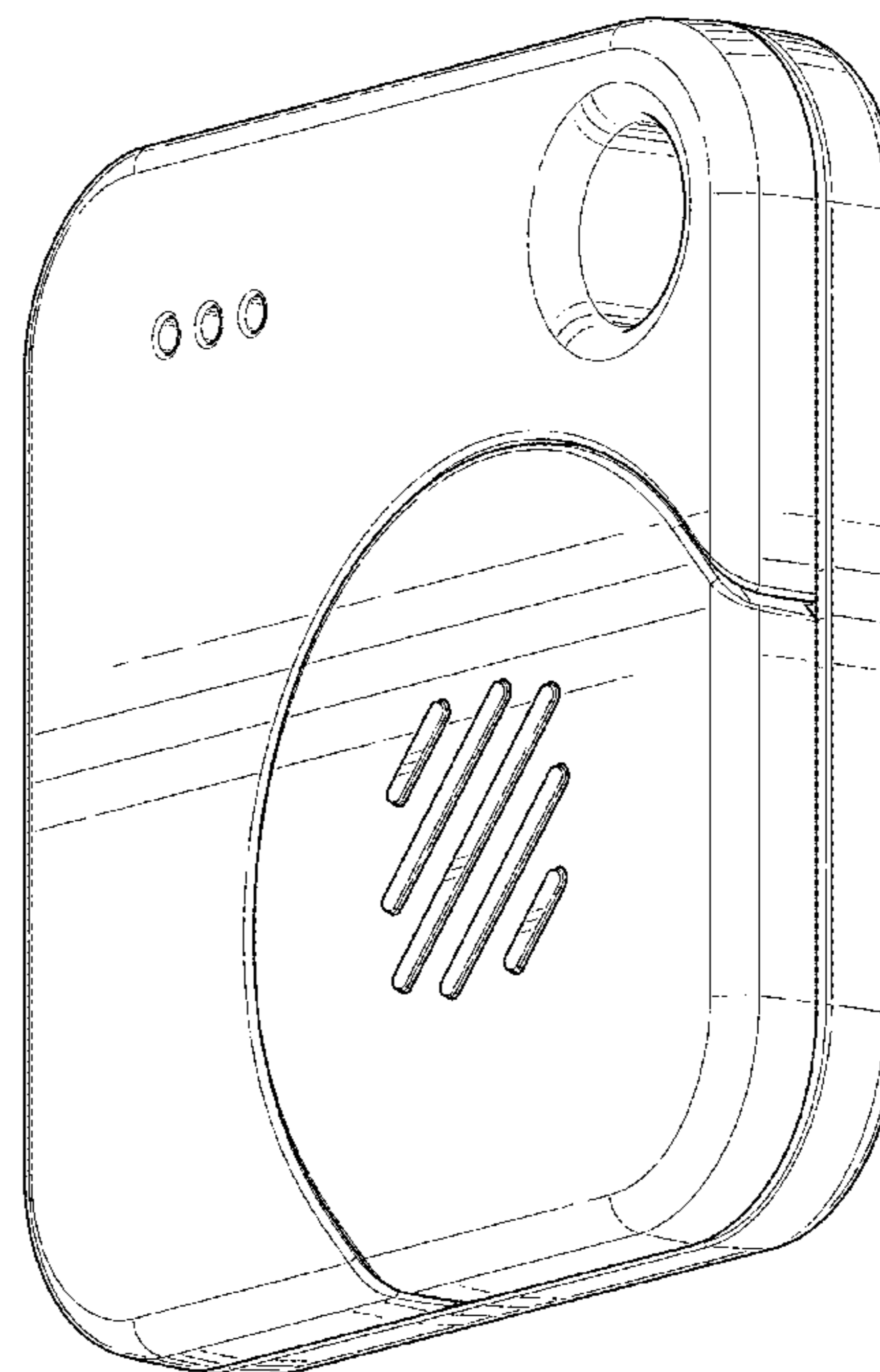
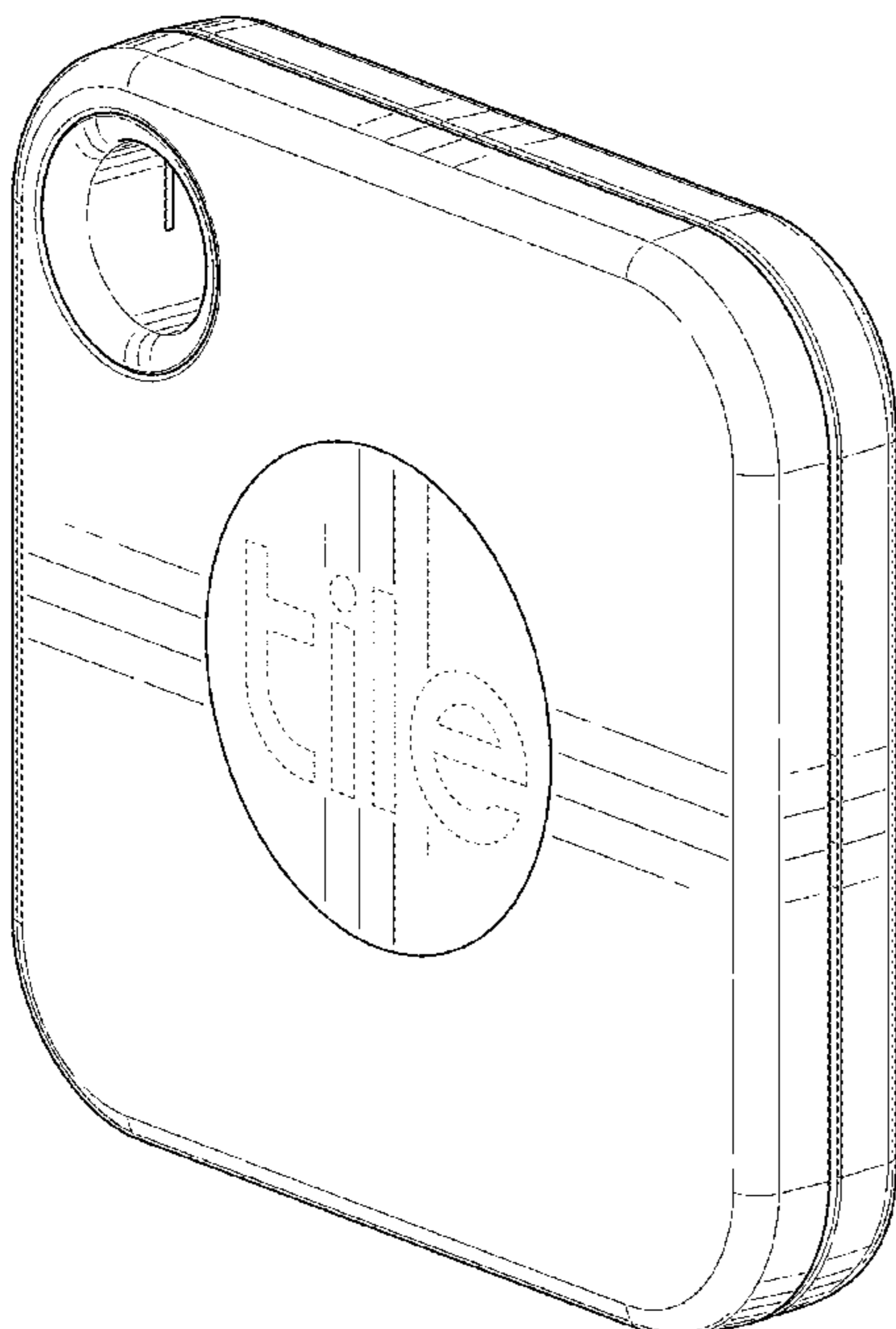
FIG. 6 is a right side elevational view thereof;

FIG. 7 is a top plan view thereof; and,

FIG. 8 is a bottom plan view thereof.

The broken lines in the drawings showing portions of the tracking device are included for the purpose of illustrating environmental structure and form no part of the claimed design.

**1 Claim, 8 Drawing Sheets**



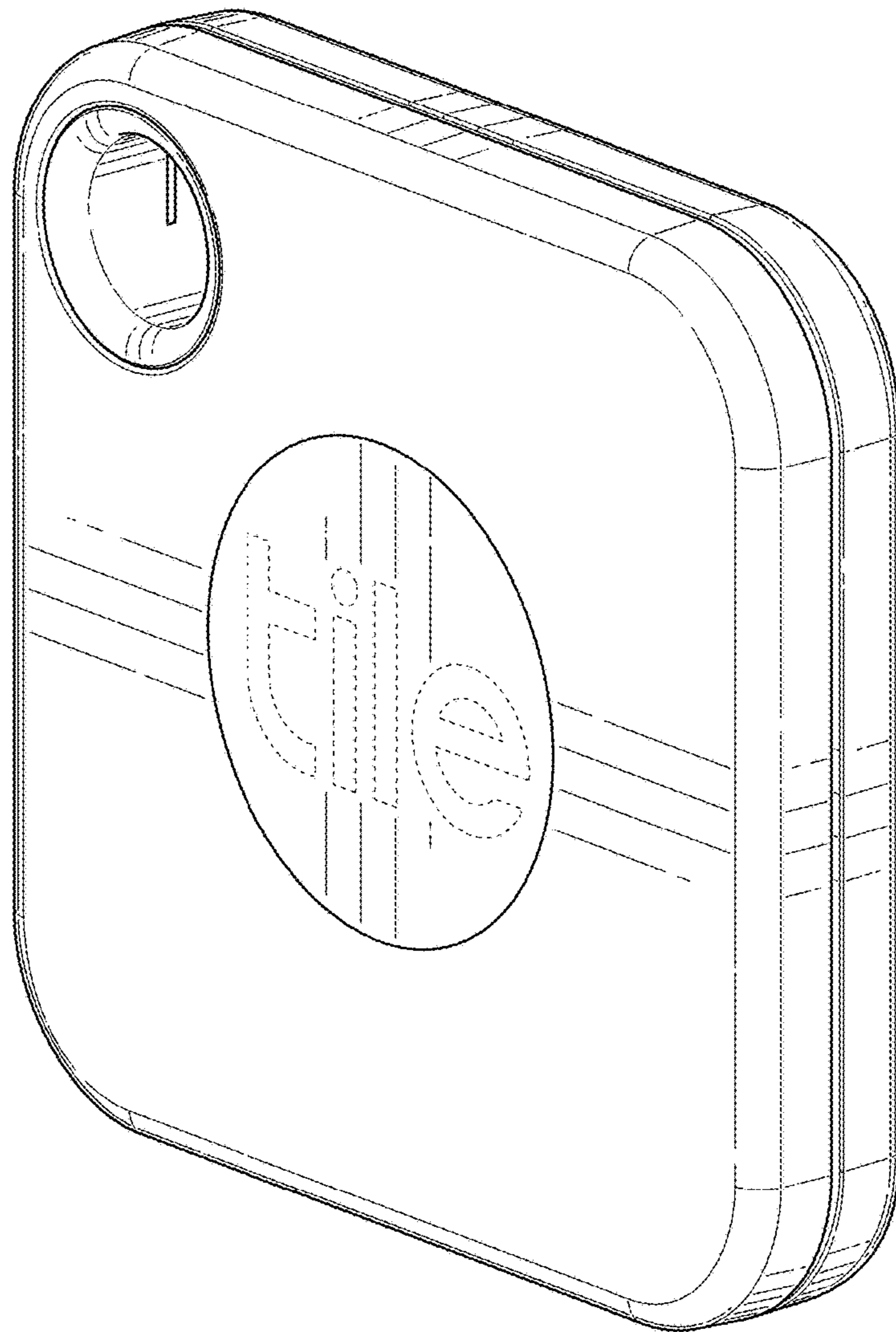


FIG. 1

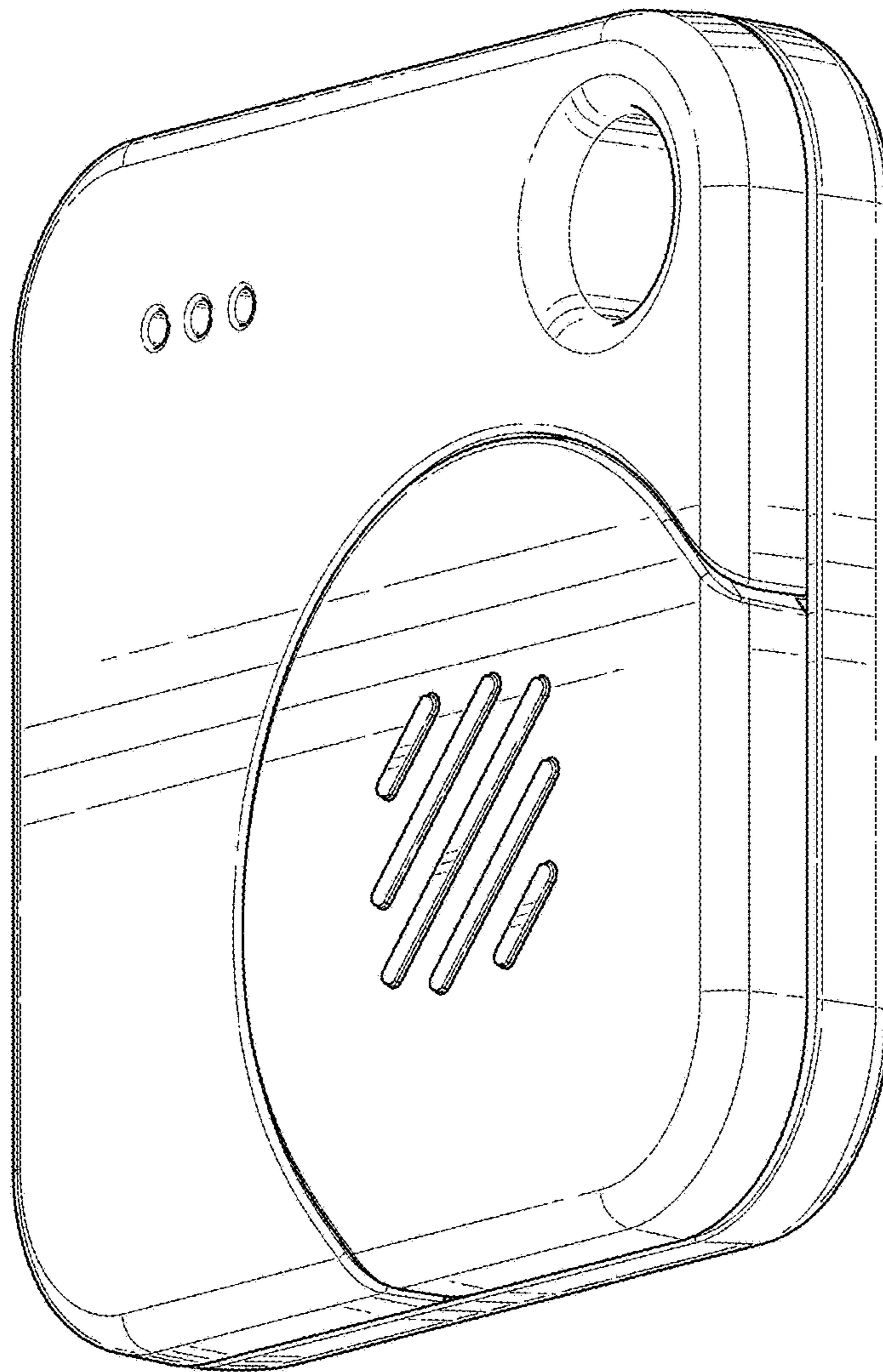


FIG. 2

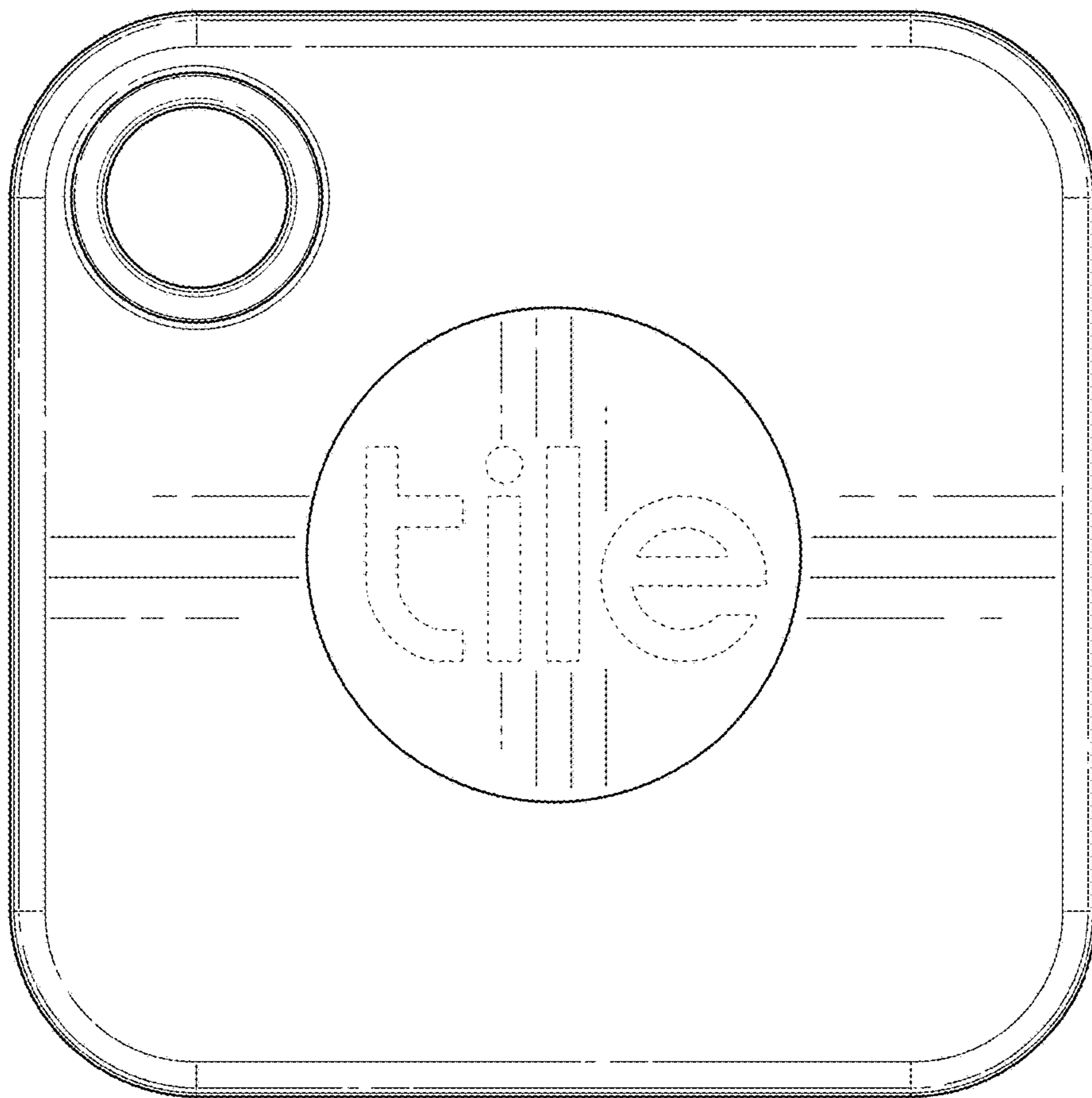


FIG. 3



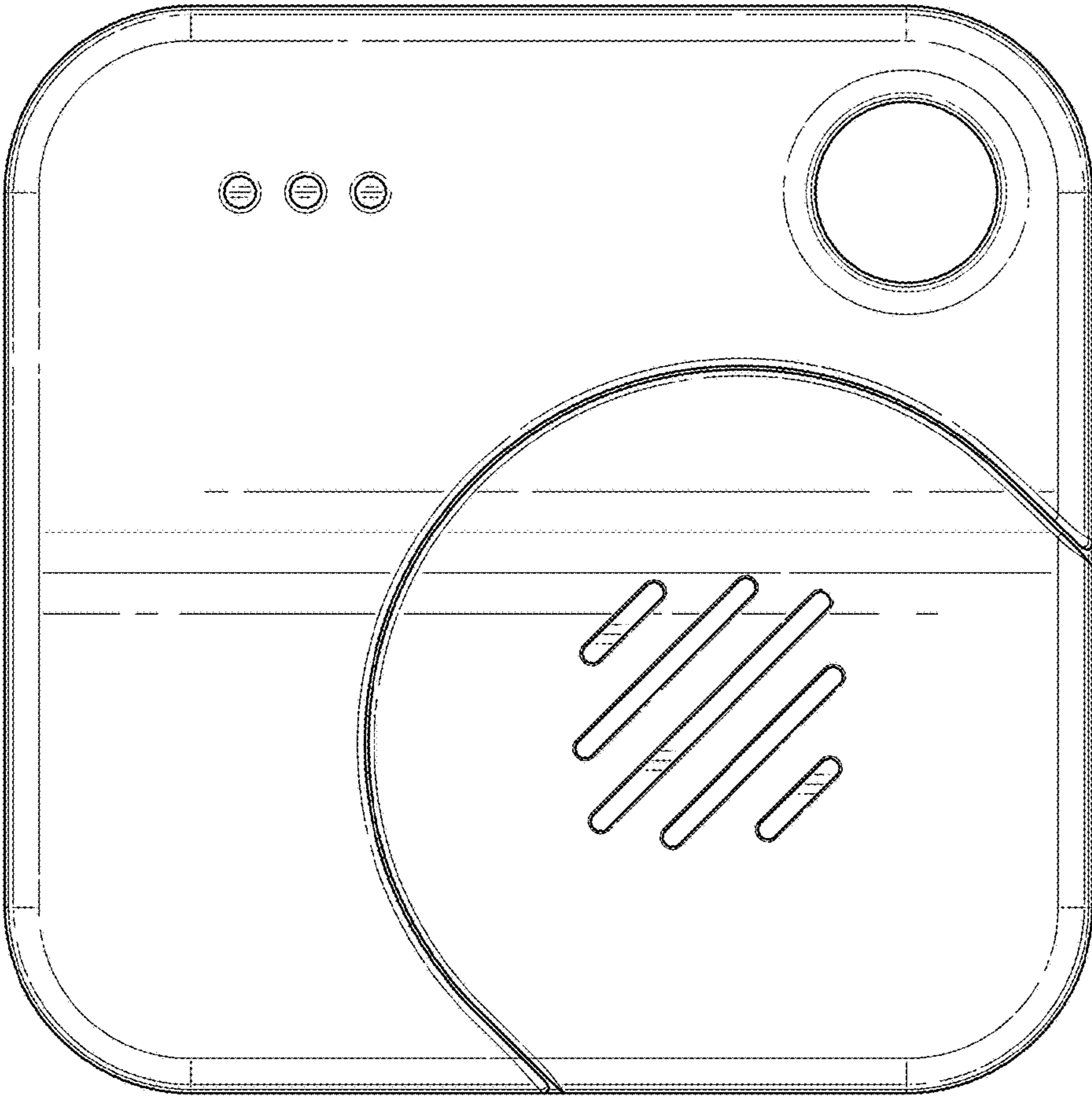


FIG. 4

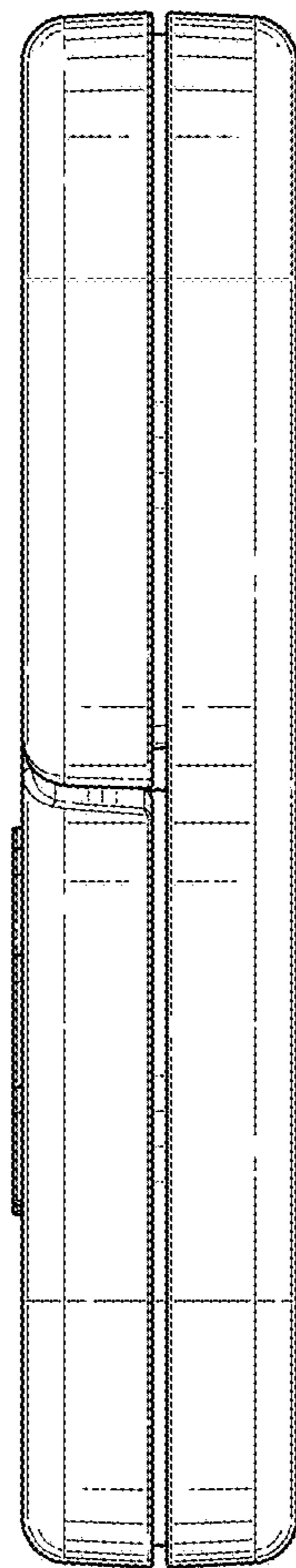


FIG. 5

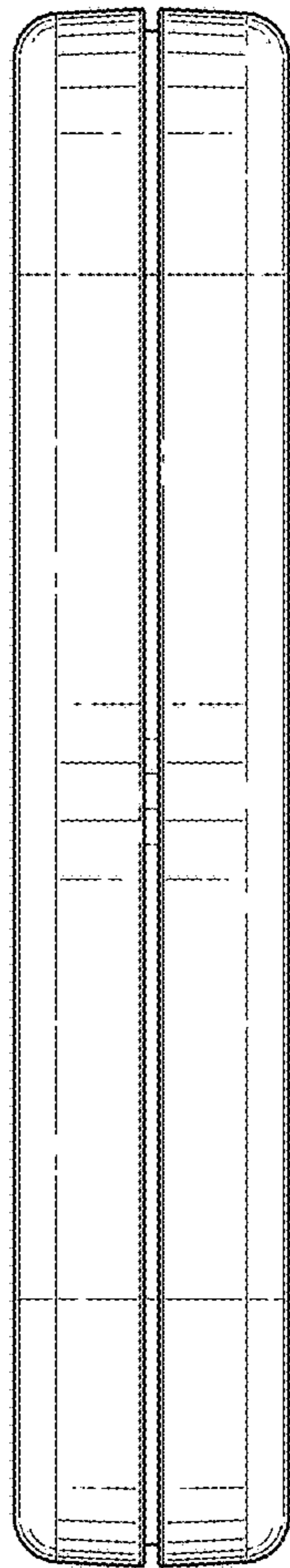


FIG. 6

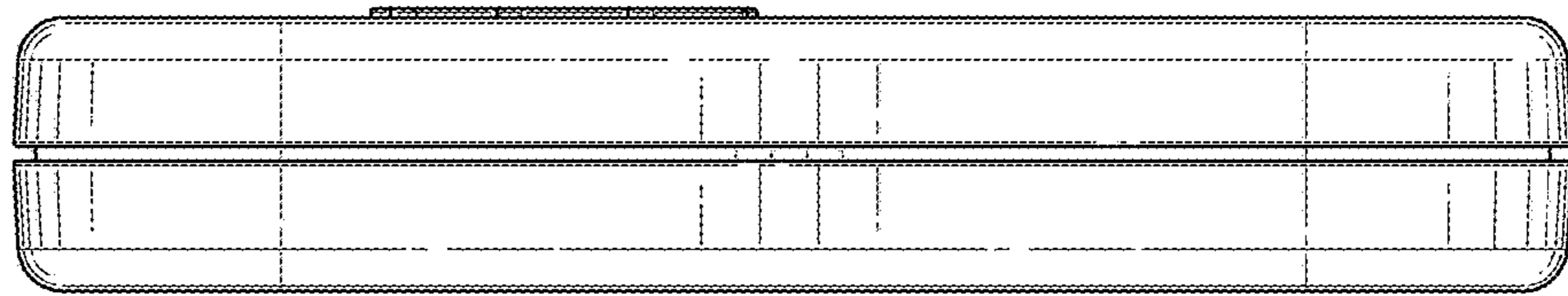


FIG. 7



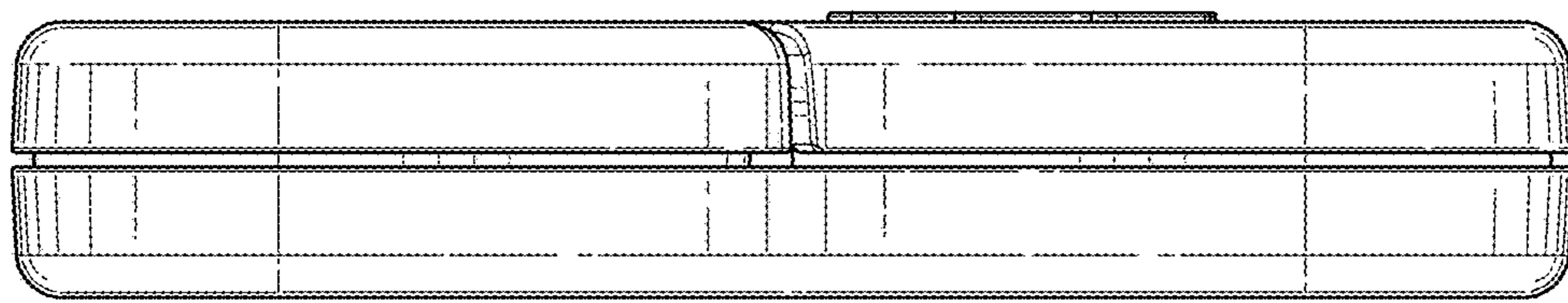


FIG. 8