



US00D866368S

(12) **United States Design Patent** (10) **Patent No.:** **US D866,368 S**  
**Ahn et al.** (45) **Date of Patent:** **\*\* Nov. 12, 2019**

(54) **ROOF SENSOR HOUSING**

- (71) Applicant: **Waymo LLC**, Mountain View, CA (US)
- (72) Inventors: **YooJung Ahn**, Mountain View, CA (US); **Jared Gross**, Belmont, CA (US); **Albert Shane**, Berkeley, CA (US)
- (73) Assignee: **WAYMO LLC**, Mountain View, CA (US)
- (\*\*) Term: **15 Years**
- (21) Appl. No.: **29/640,538**
- (22) Filed: **Mar. 15, 2018**
- (51) **LOC (12) Cl.** ..... **10-04**
- (52) **U.S. Cl.**  
USPC ..... **D10/70**
- (58) **Field of Classification Search**  
USPC ..... **D10/70; D12/190, 197**  
(Continued)

(56) **References Cited**

**U.S. PATENT DOCUMENTS**

- D328,436 S 8/1992 Fuerst et al.
  - 5,945,907 A 8/1999 Yaron et al.
- (Continued)

*Primary Examiner* — Antoine Duval Davis  
(74) *Attorney, Agent, or Firm* — Botos Churchill IP Law LLP

(57) **CLAIM**

The ornamental design for a roof sensor housing, as shown and described.

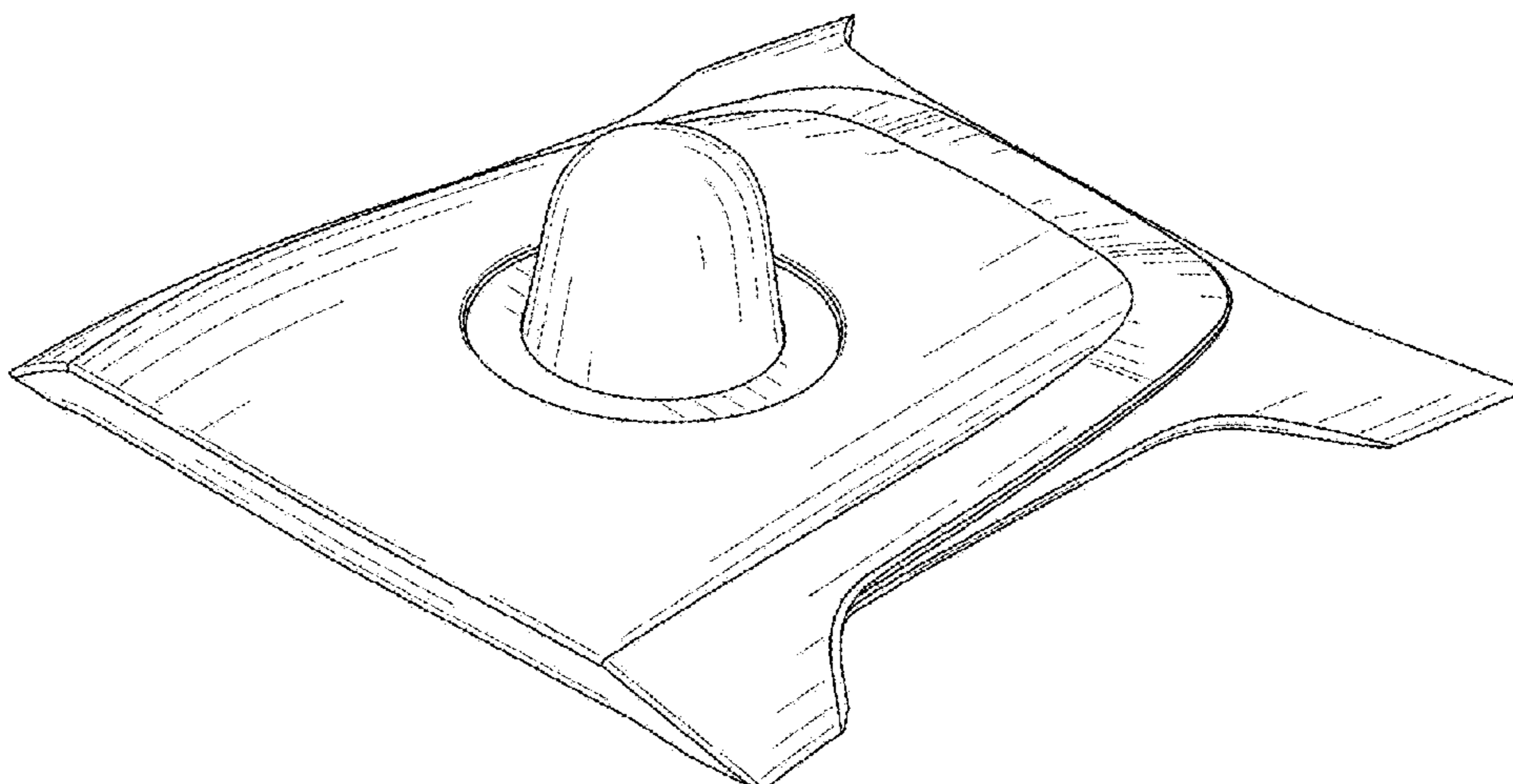
**DESCRIPTION**

FIG. 1 is a front perspective view of a roof sensor housing according to a first embodiment of our design;

FIG. 2 is a front elevation view thereof;  
 FIG. 3 is a back elevation view thereof;  
 FIG. 4 is a right side elevation view thereof;  
 FIG. 5 is a left side elevation view thereof;  
 FIG. 6 is a top plan view thereof;  
 FIG. 7 is a bottom plan view thereof;  
 FIG. 8 is a front perspective view of a roof sensor housing according to a second embodiment of our design;  
 FIG. 9 is a front elevation view thereof;  
 FIG. 10 is a back elevation view thereof;  
 FIG. 11 is a right side elevation view thereof;  
 FIG. 12 is a left side elevation view thereof;  
 FIG. 13 is a top plan view thereof;  
 FIG. 14 is a bottom plan view thereof;  
 FIG. 15 is a front perspective view of a roof sensor housing according to a third embodiment of our design;  
 FIG. 16 is a front elevation view thereof;  
 FIG. 17 is a back elevation view thereof;  
 FIG. 18 is a right side elevation view thereof;  
 FIG. 19 is a left side elevation view thereof;  
 FIG. 20 is a top plan view thereof;  
 FIG. 21 is a bottom plan view thereof;  
 FIG. 22 is a front perspective view of a roof sensor housing according to a fourth embodiment of our design;  
 FIG. 23 is a front elevation view thereof;  
 FIG. 24 is a back elevation view thereof;  
 FIG. 25 is a right side elevation view thereof;  
 FIG. 26 is a left side elevation view thereof;  
 FIG. 27 is a top plan view thereof;  
 FIG. 28 is a bottom plan view thereof;  
 FIG. 29 is a front perspective view of a roof sensor housing according to a fifth embodiment of our design;  
 FIG. 30 is a front elevation view thereof;  
 FIG. 31 is a back elevation view thereof;  
 FIG. 32 is a right side elevation view thereof;  
 FIG. 33 is a left side elevation view thereof;  
 FIG. 34 is a top plan view thereof; and  
 FIG. 35 is a bottom plan view thereof.

The broken lines illustrate portions of the roof sensor housing that form no part of the claimed design.  
 The portions shown in a pattern or patterns of stipple illustrate areas of contrasting appearance.

**1 Claim, 20 Drawing Sheets**



(58) **Field of Classification Search**

CPC .. B60Q 1/0017; B60Q 1/0023; B60Q 1/0029;  
B60Q 1/0035; B60Q 1/0041; B60Q 1/26;  
B60Q 1/2603; B60Q 1/2607; B60Q  
1/2611; B60Q 9/002; B60Q 9/003; B60Q  
9/004; B60Q 9/006; B60Q 9/007; B60Q  
9/008; B60R 1/10; B60R 1/12; B60R  
2001/1284

See application file for complete search history.

(56) **References Cited**

U.S. PATENT DOCUMENTS

D478,518	S	8/2003	Porter	
D525,888	S	8/2006	Porter	
D563,246	S	* 3/2008	Ishii .....	D10/66
7,517,099	B2	4/2009	Hannah	
D717,720	S	11/2014	Marino	
D739,336	S	9/2015	Berrey	
9,725,060	B1	8/2017	Daniel et al.	
9,862,311	B2	1/2018	Kiriyama et al.	
D822,580	S	7/2018	Eriksson et al.	
2016/0011594	A1	1/2016	Chung et al.	
2017/0151933	A1	6/2017	Doorley et al.	
2017/0293016	A1	10/2017	McCloskey et al.	
2017/0300060	A1	10/2017	Crawley	
2017/0343654	A1	11/2017	Valois et al.	
2018/0011173	A1	1/2018	Newman	
2018/0015886	A1	1/2018	Frank et al.	
2018/0017680	A1	1/2018	Pennecot et al.	
2018/0037268	A1	2/2018	Moore et al.	
2018/0086280	A1	3/2018	Nguyen	

\* cited by examiner

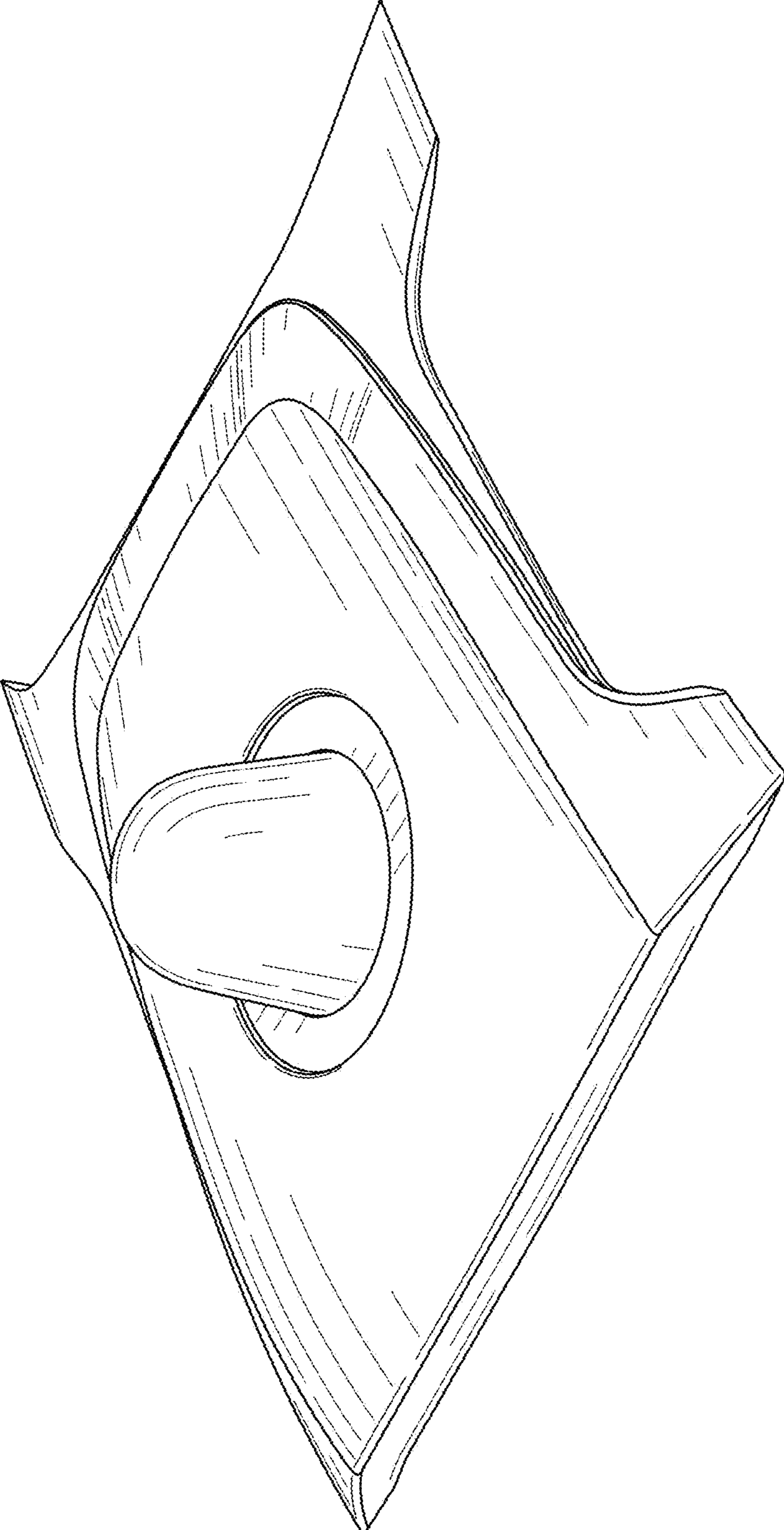


FIG. 1

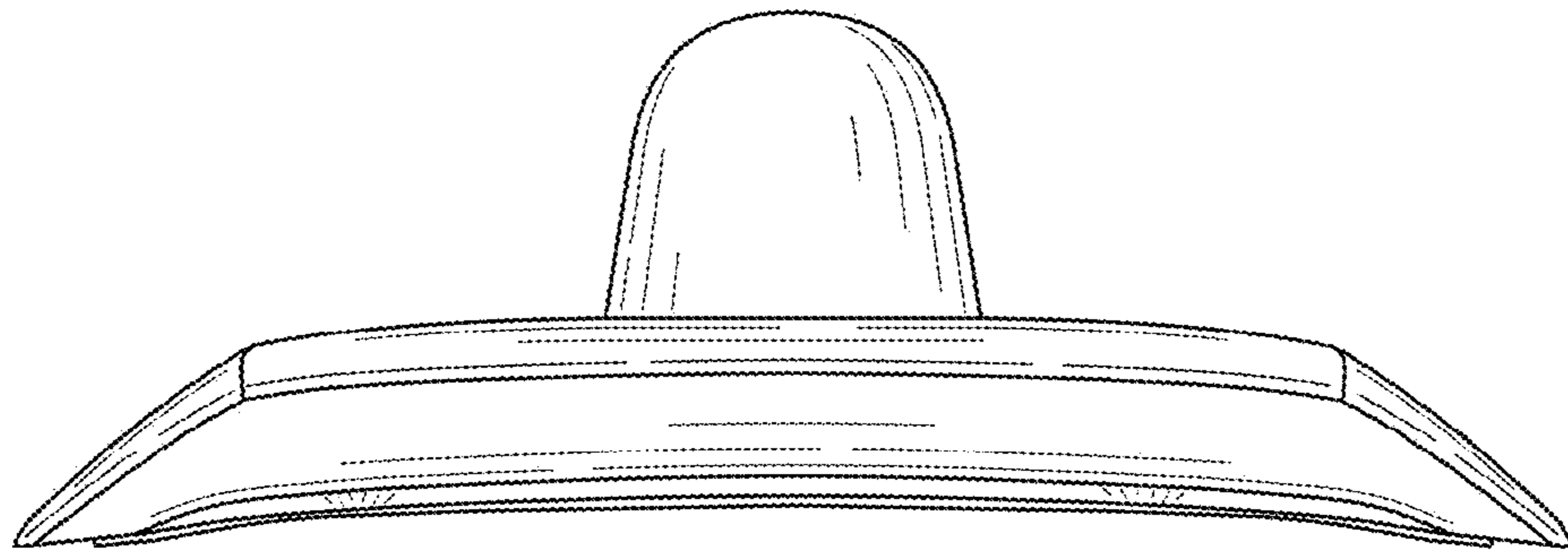


FIG. 2

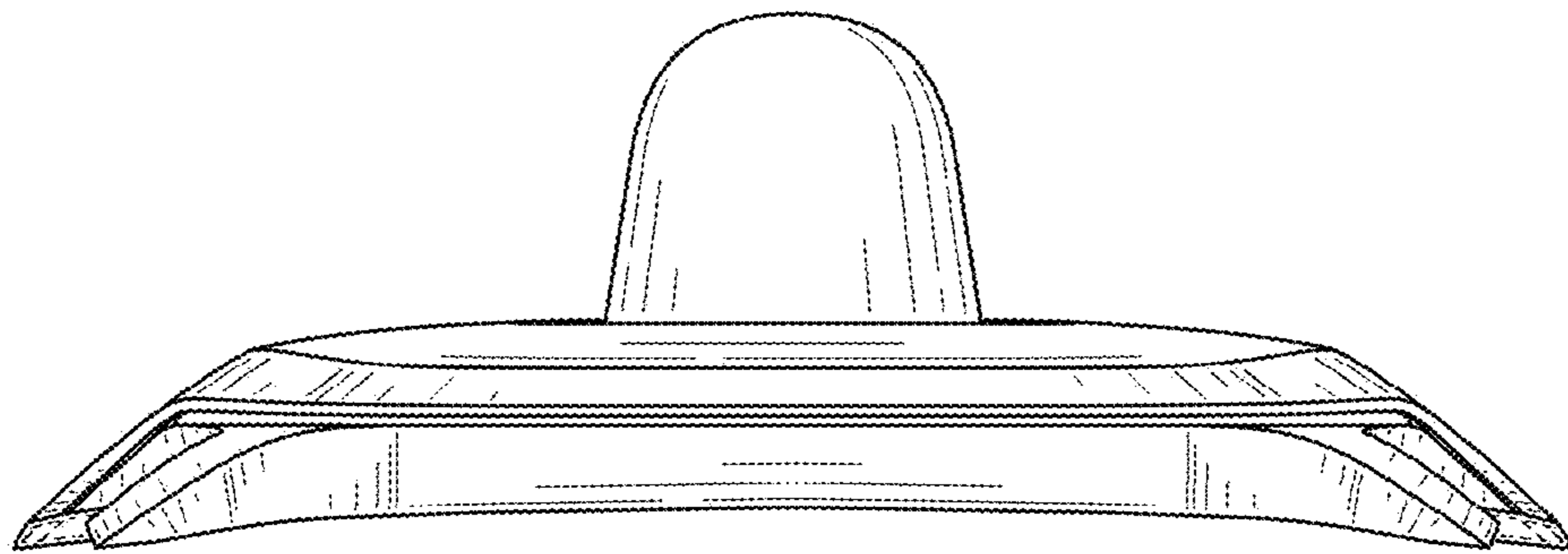


FIG. 3

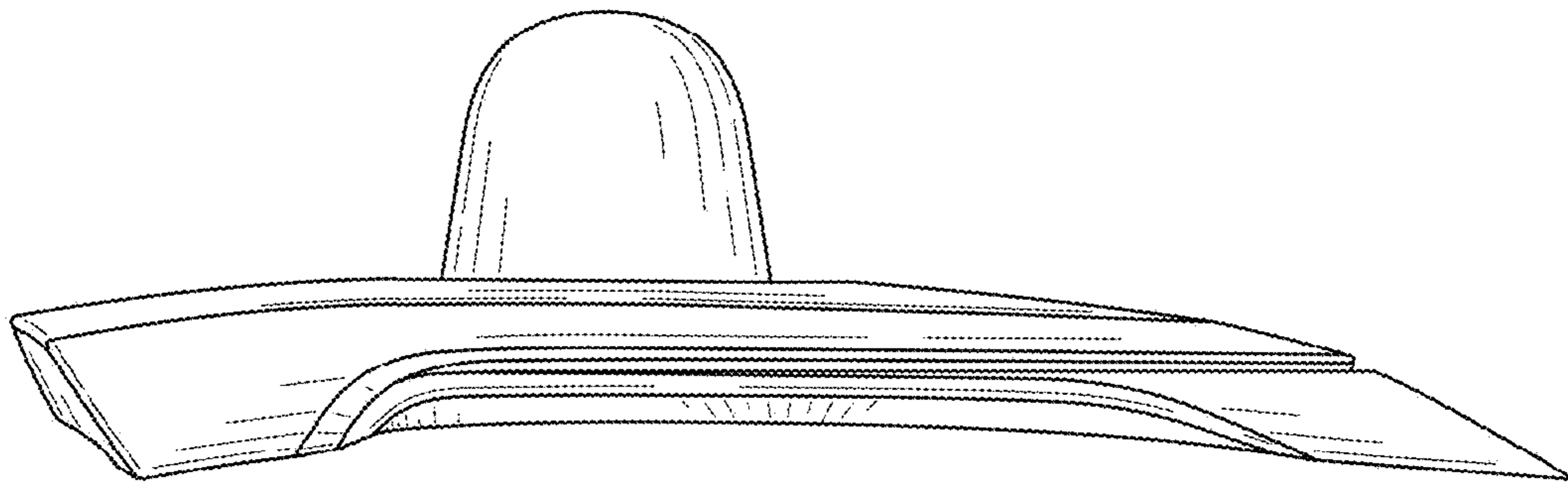


FIG. 4

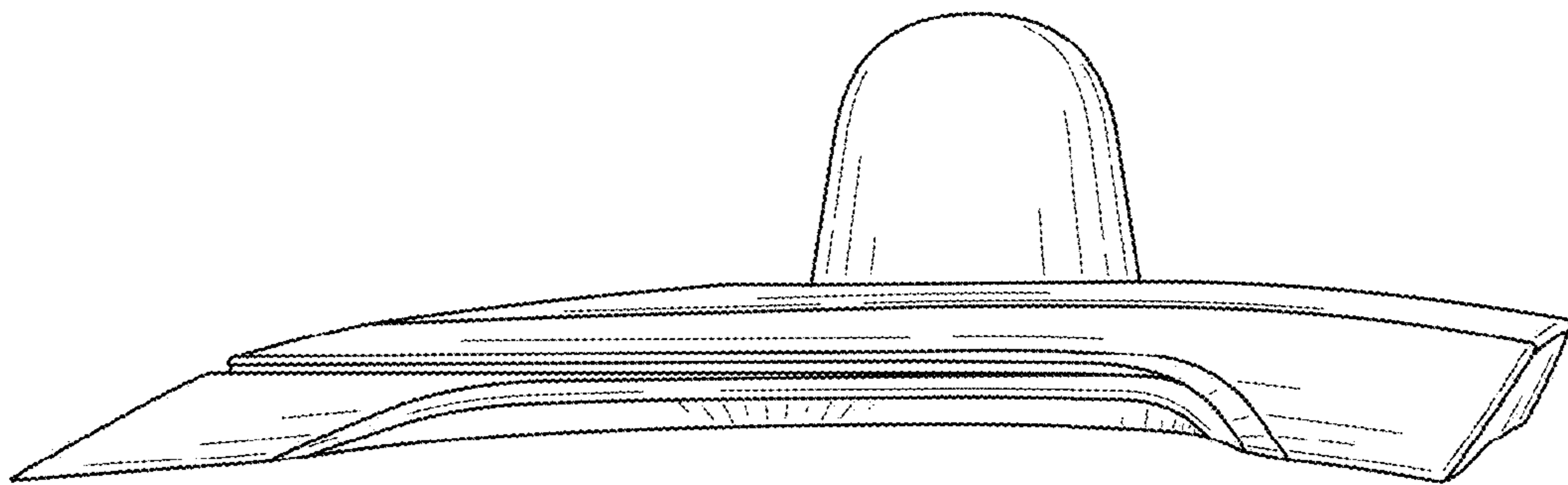


FIG. 5

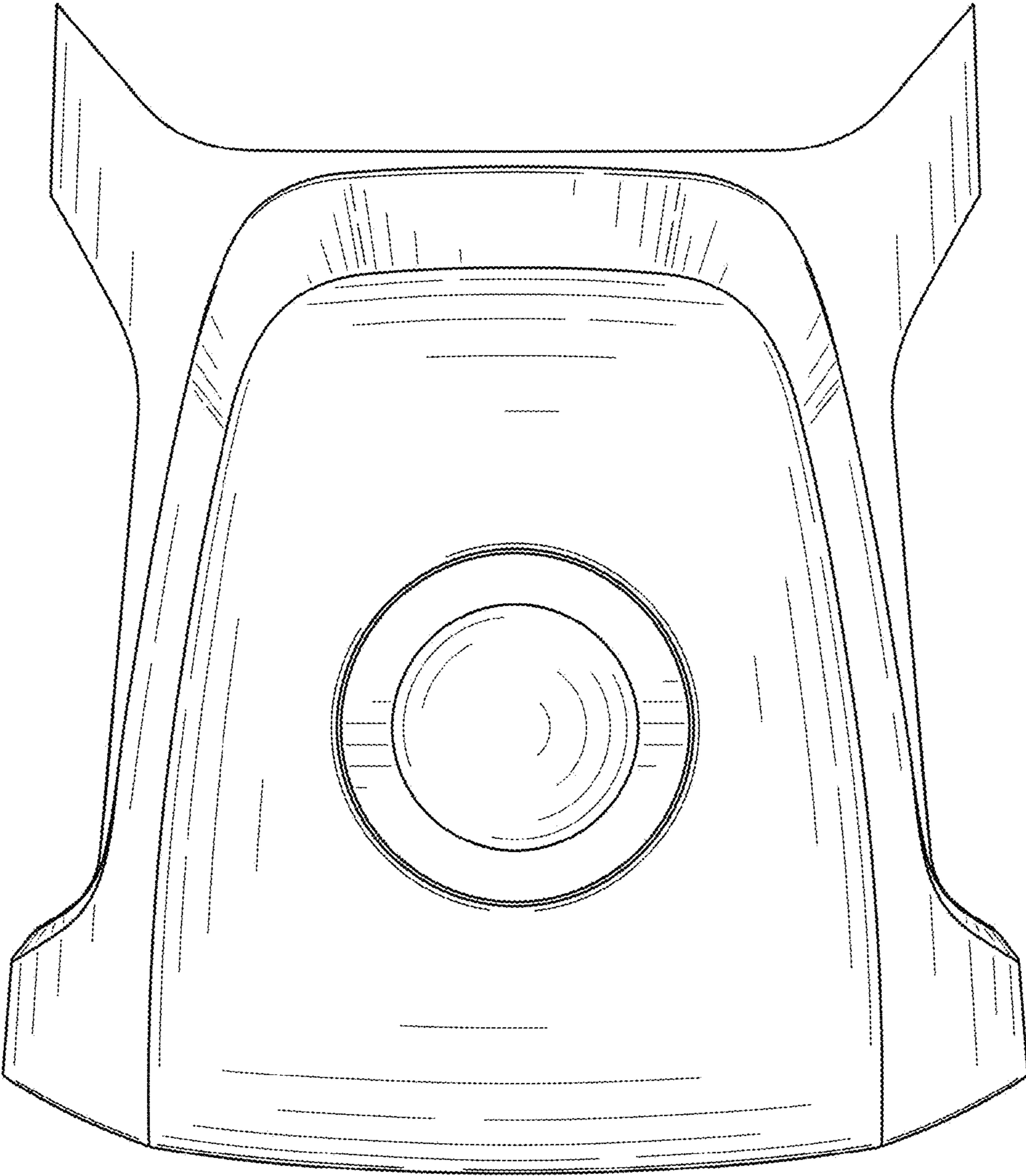


FIG. 6

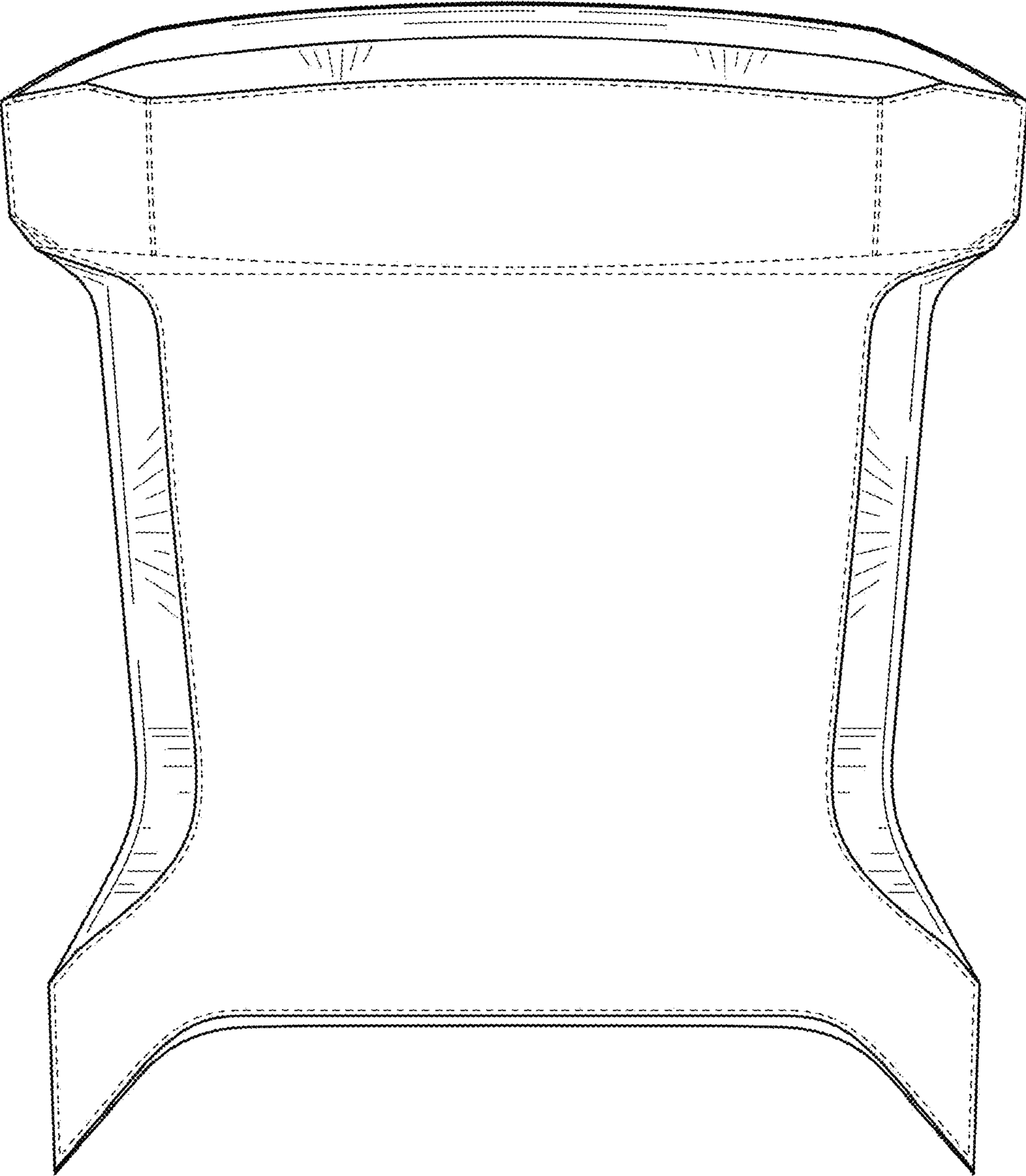


FIG. 7

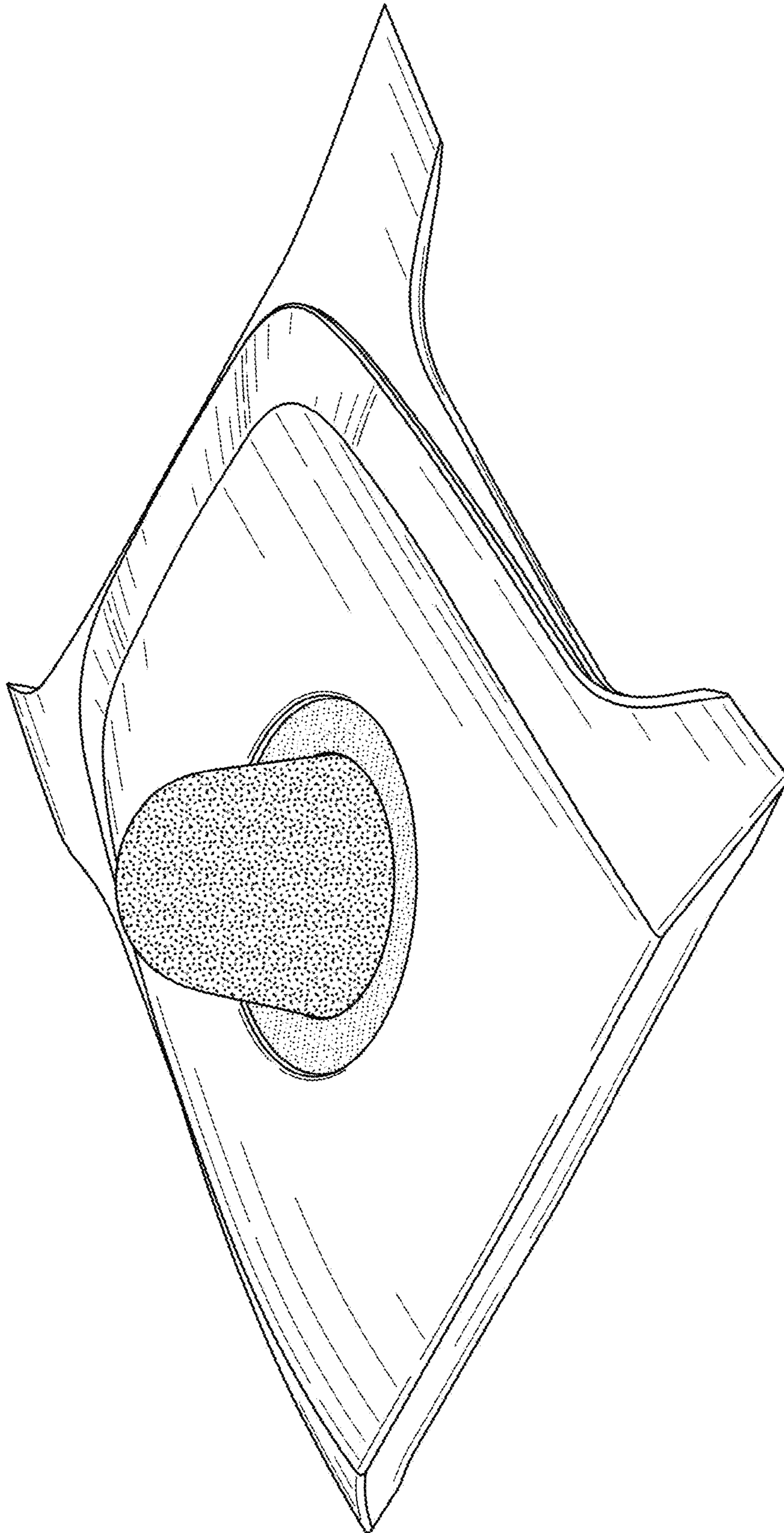


FIG. 8

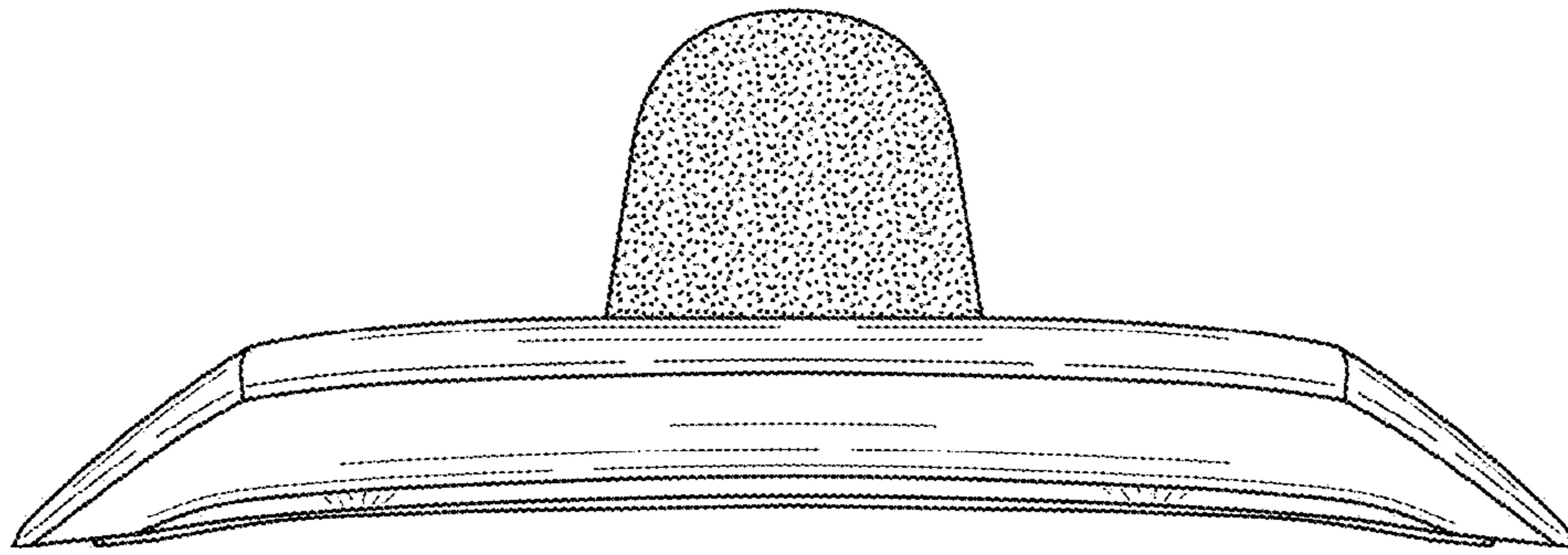


FIG. 9

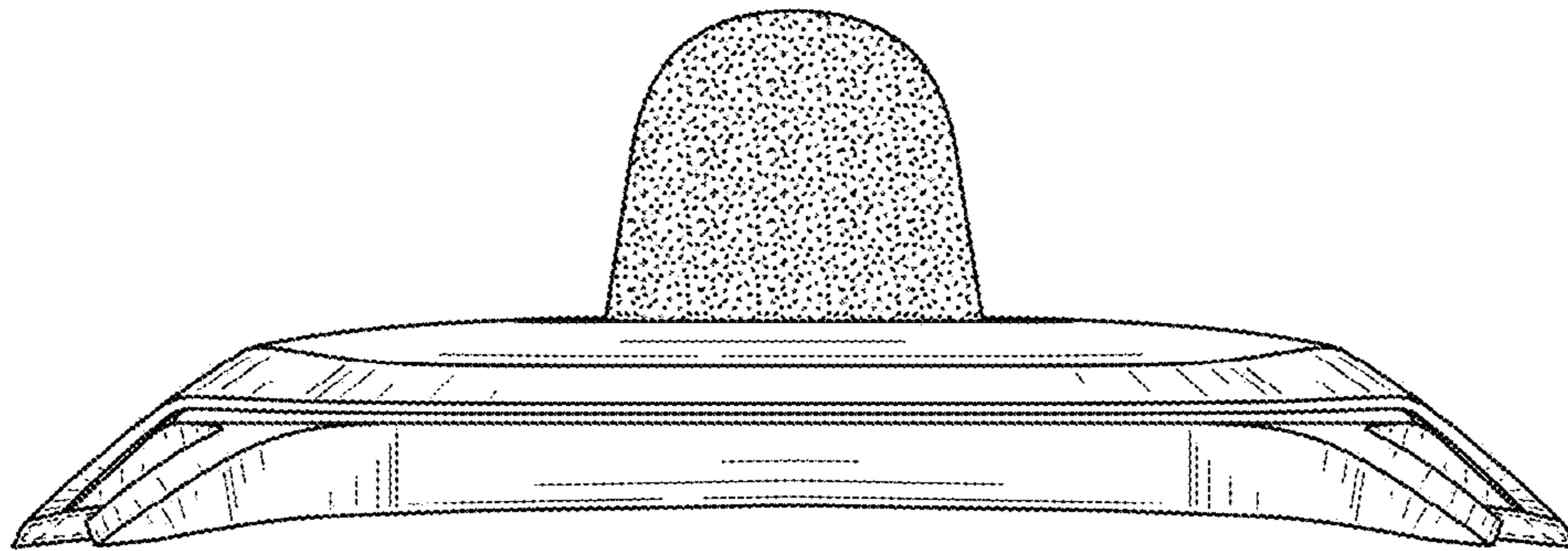


FIG. 10

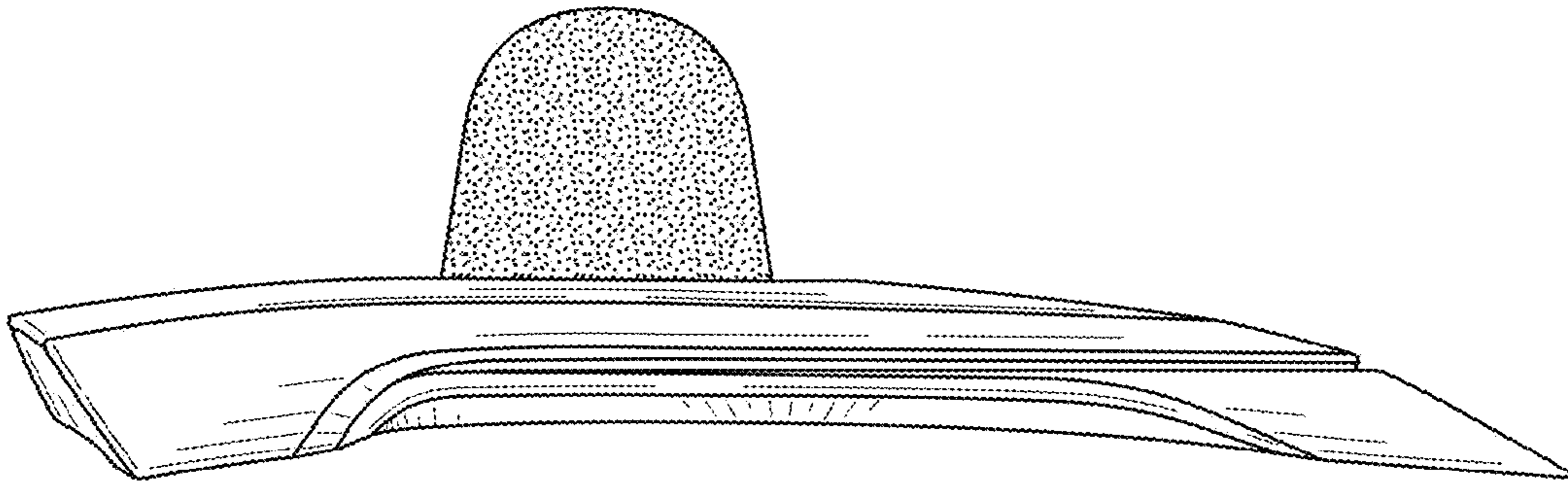


FIG. 11

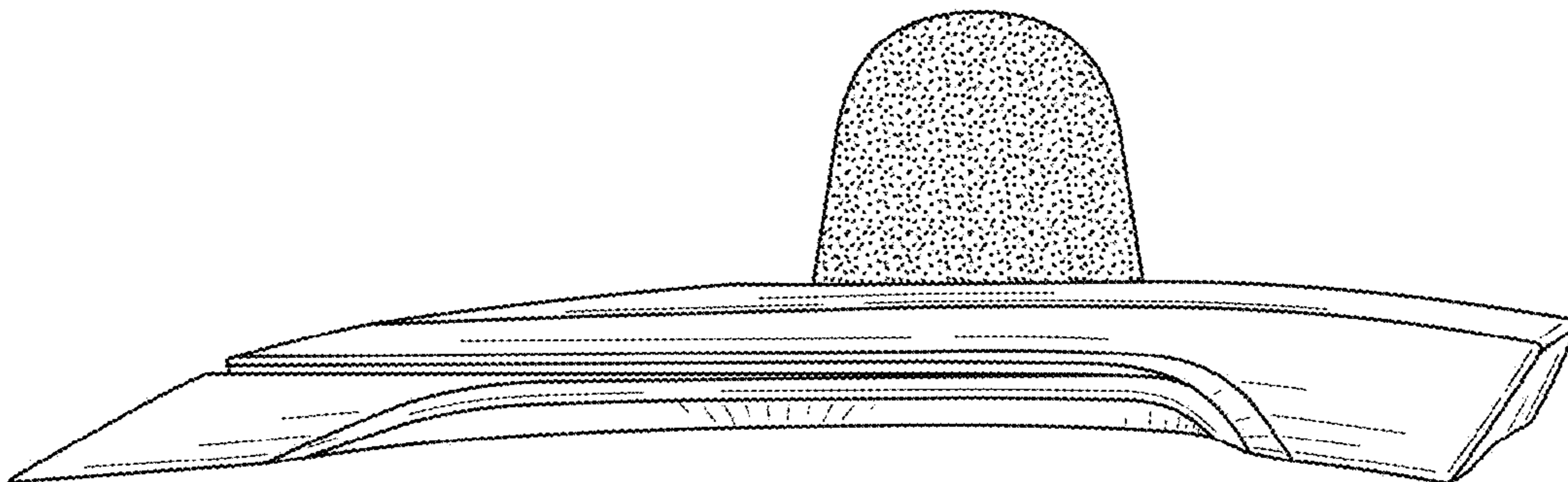


FIG. 12



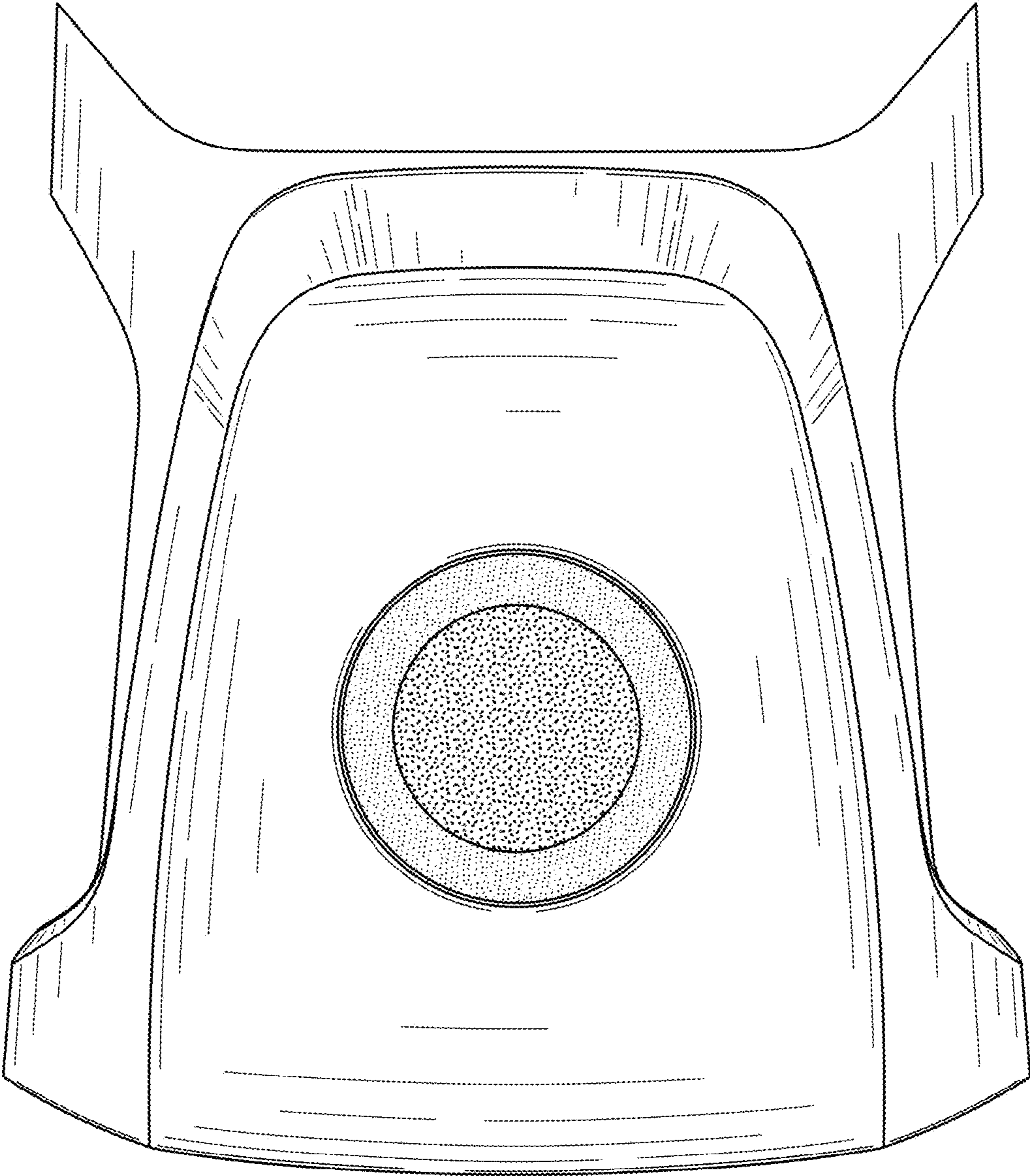


FIG. 13

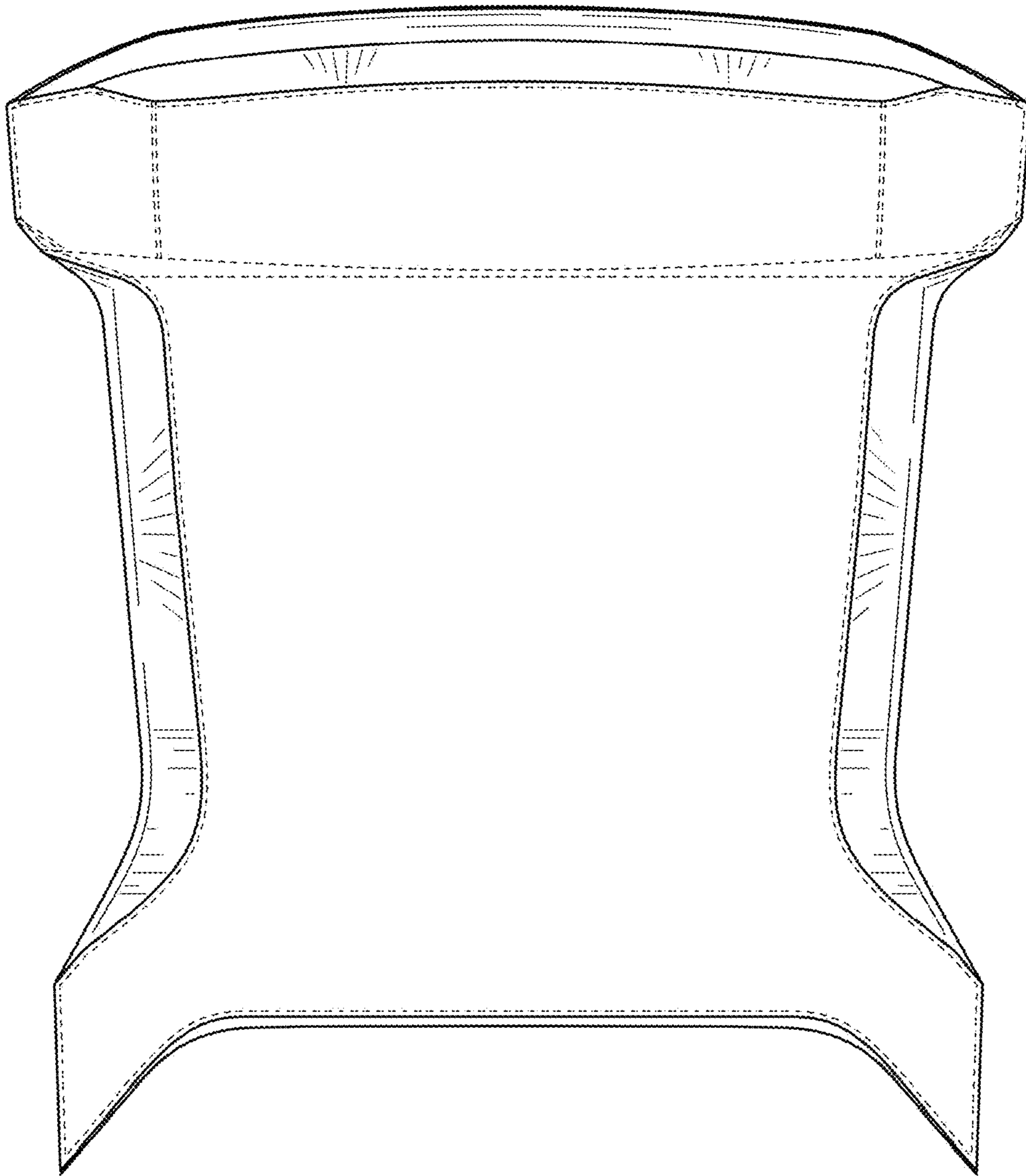


FIG. 14

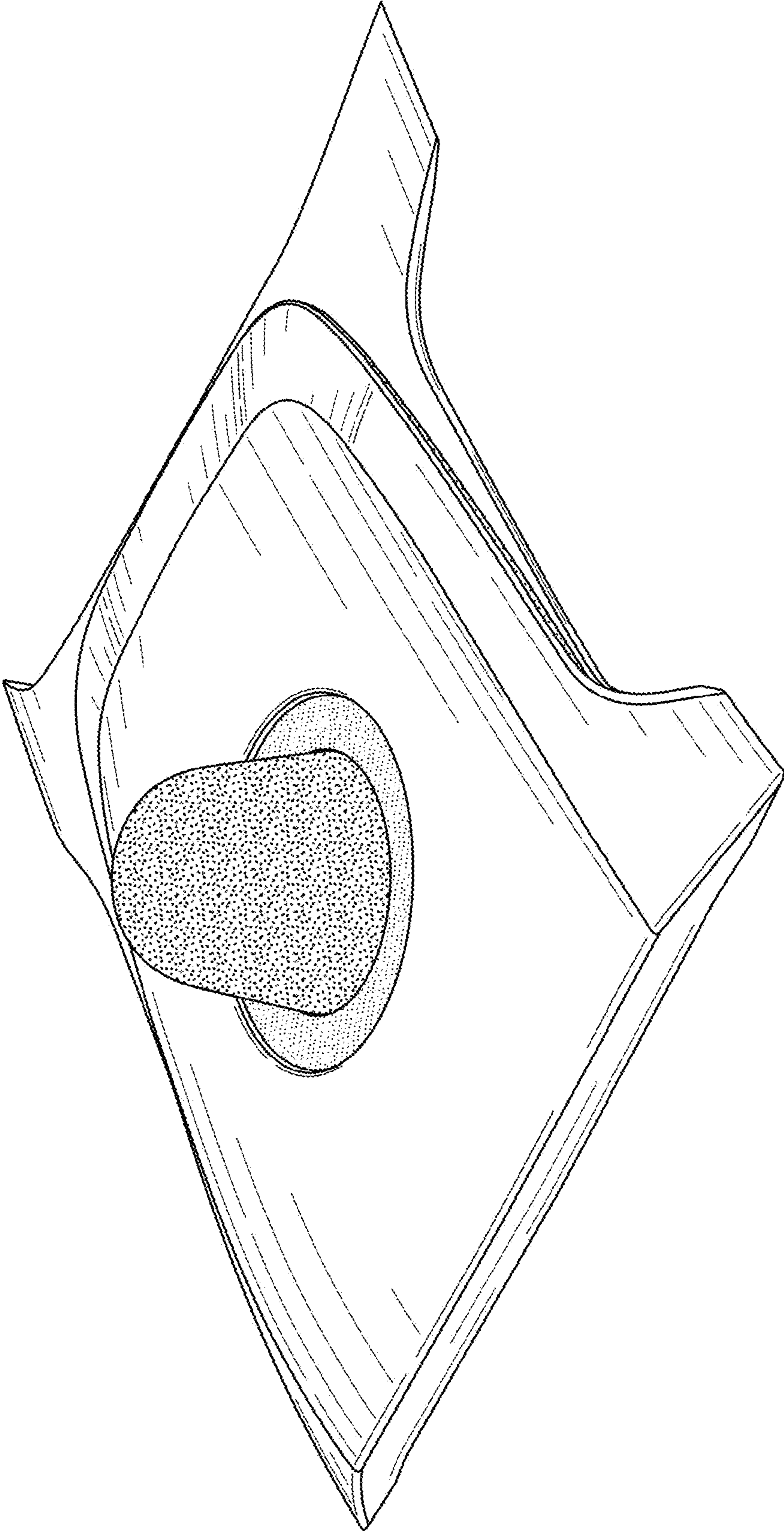


FIG. 15

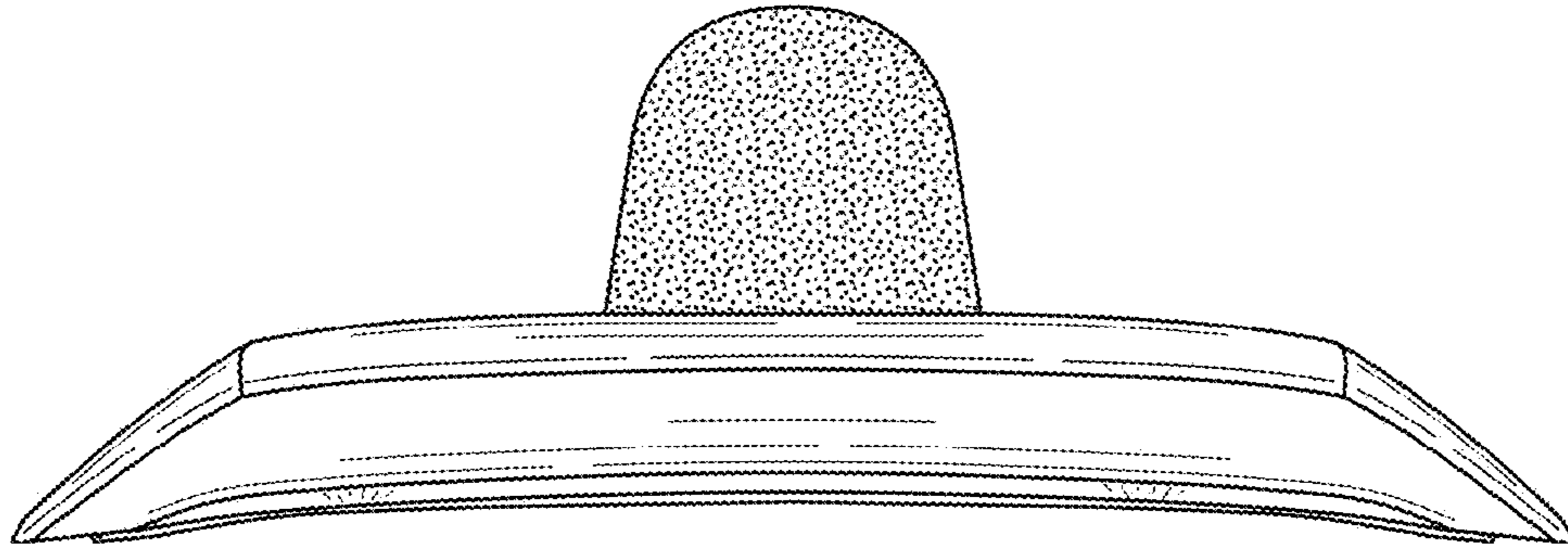


FIG. 16

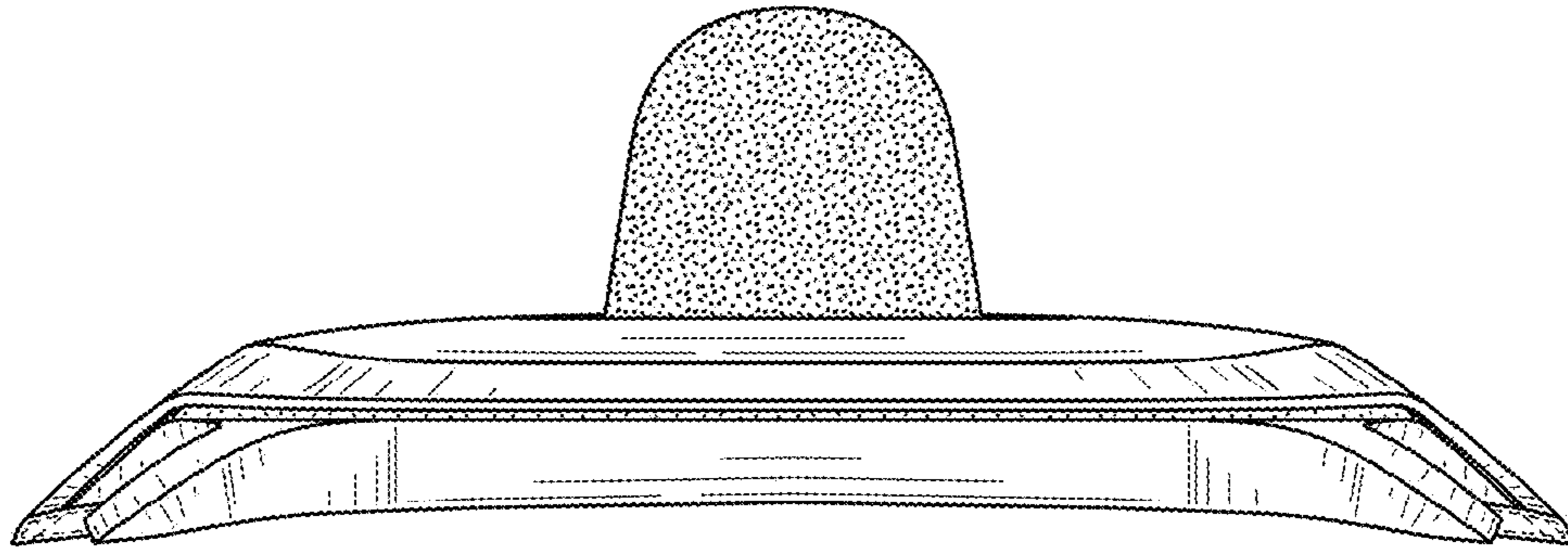


FIG. 17

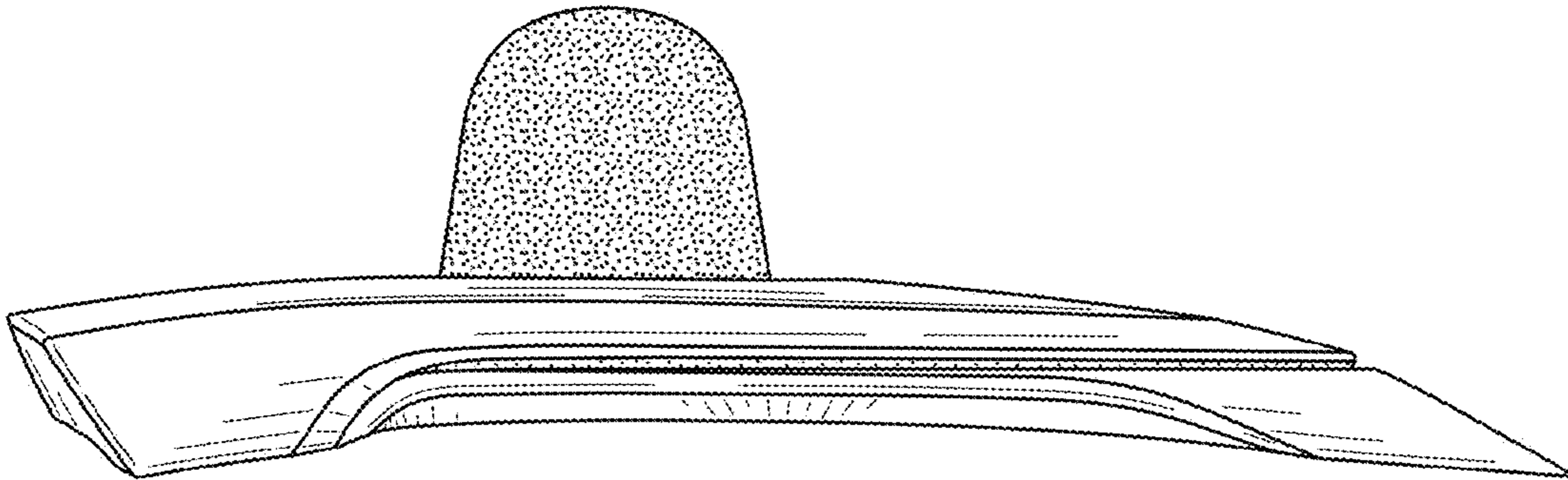


FIG. 18

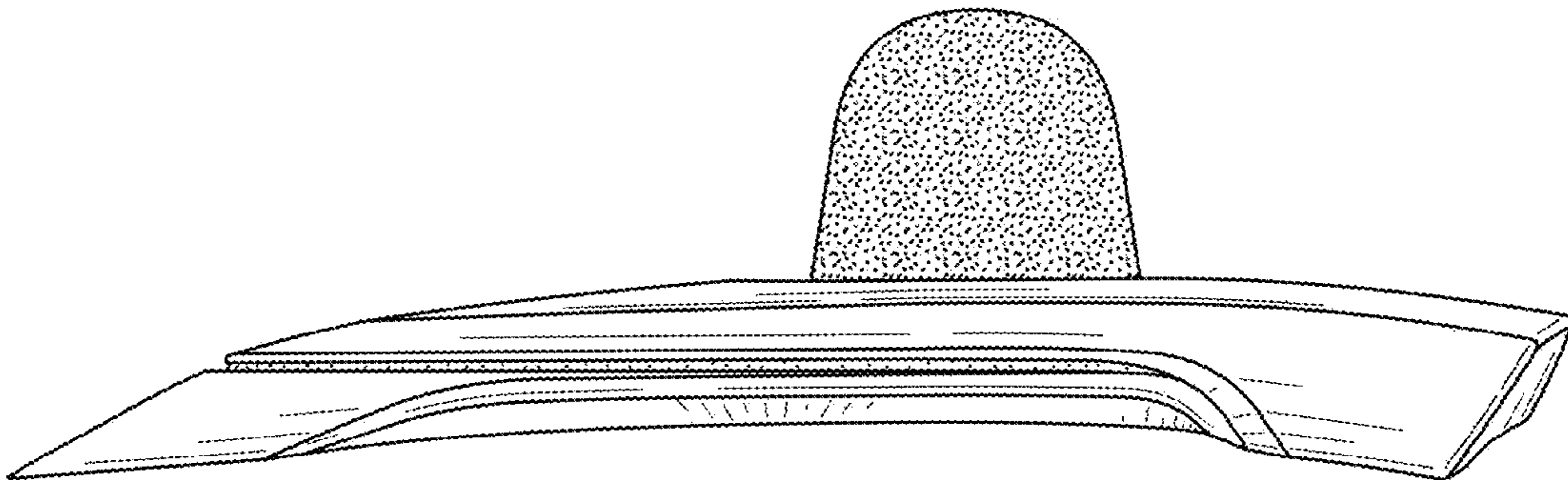


FIG. 19

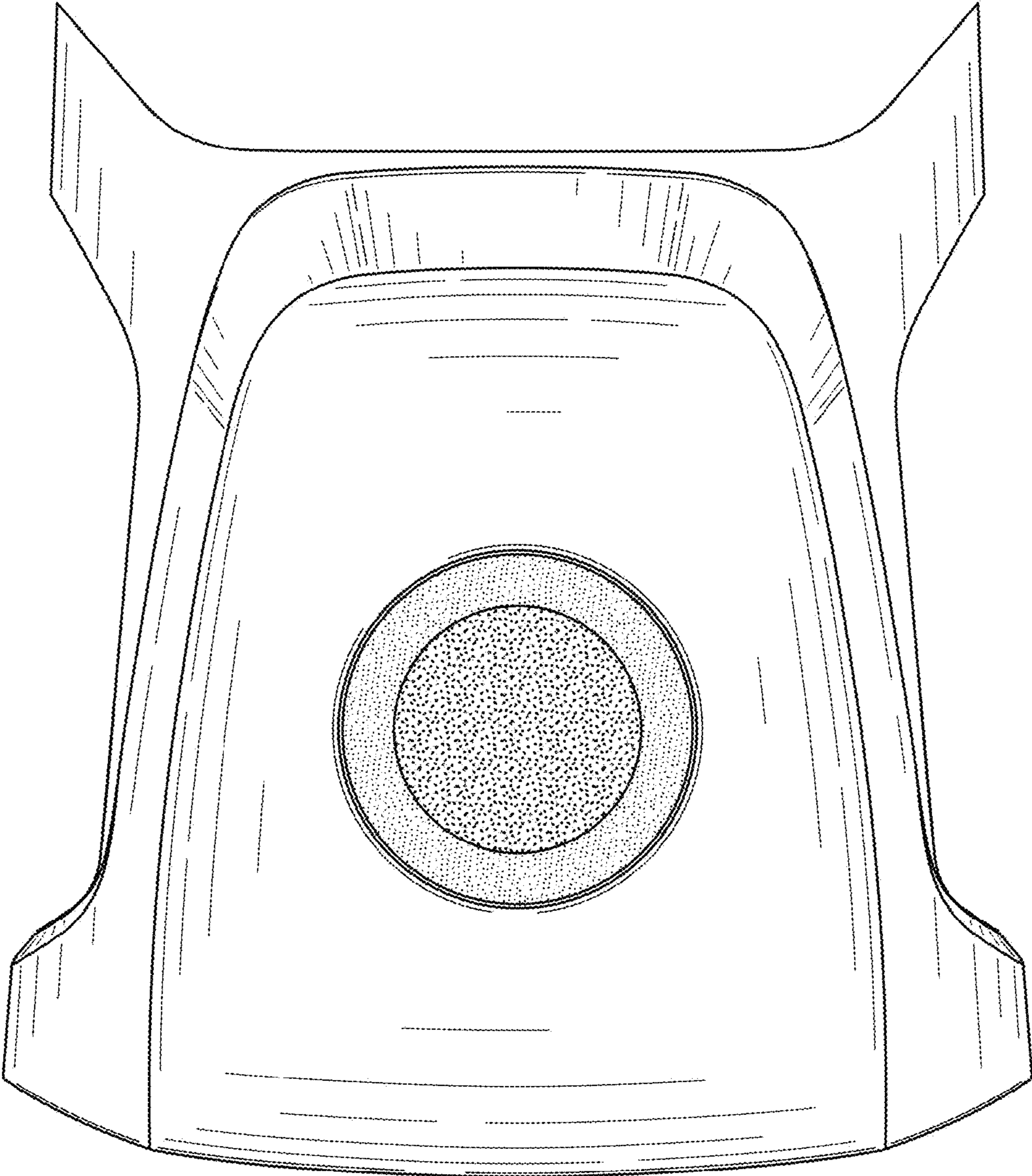


FIG. 20

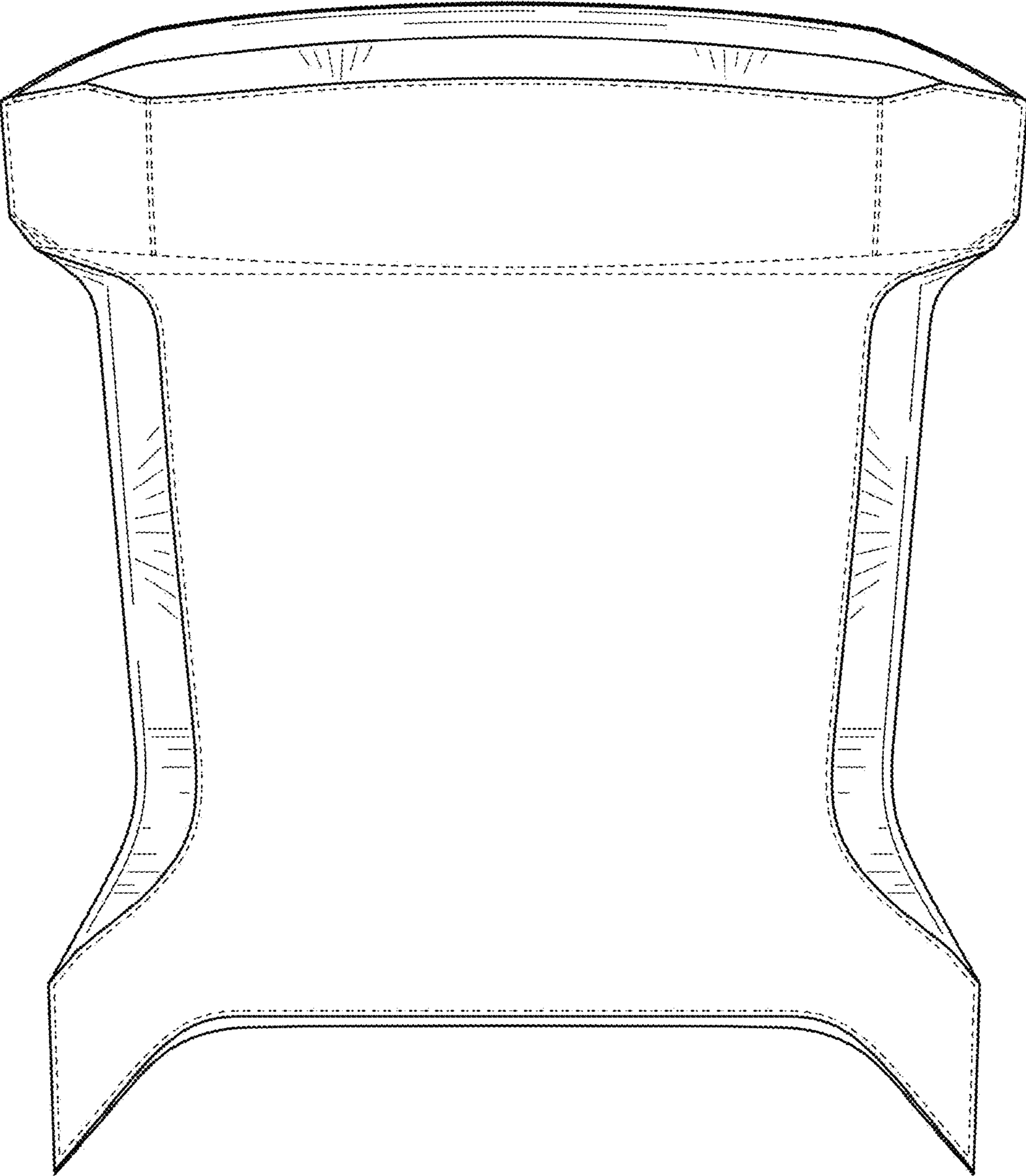


FIG. 21

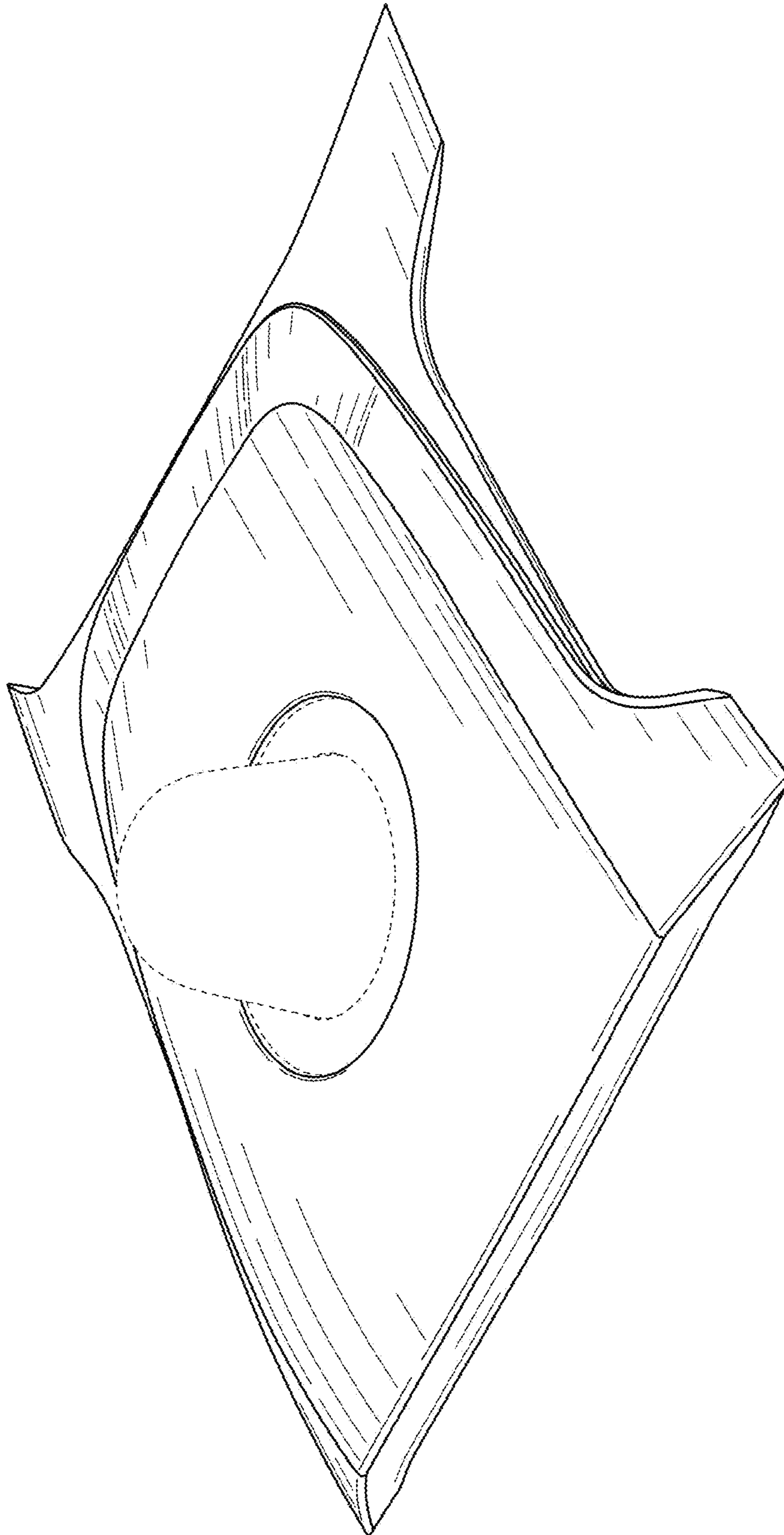


FIG. 22

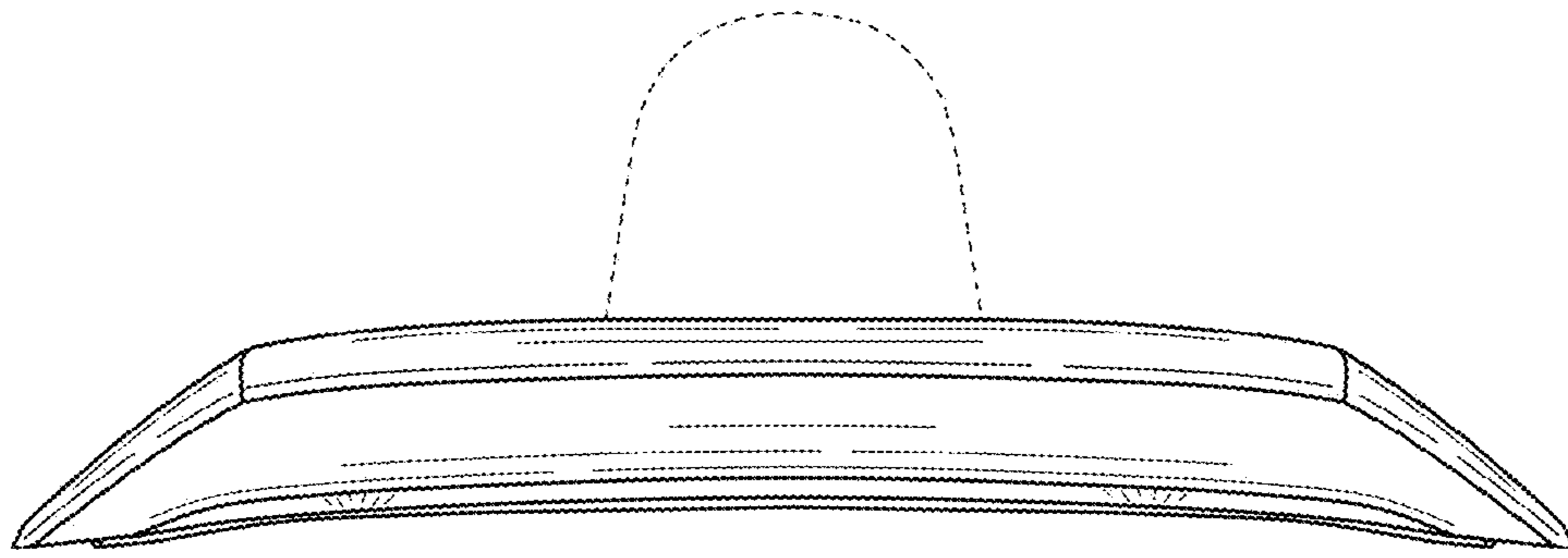


FIG. 23

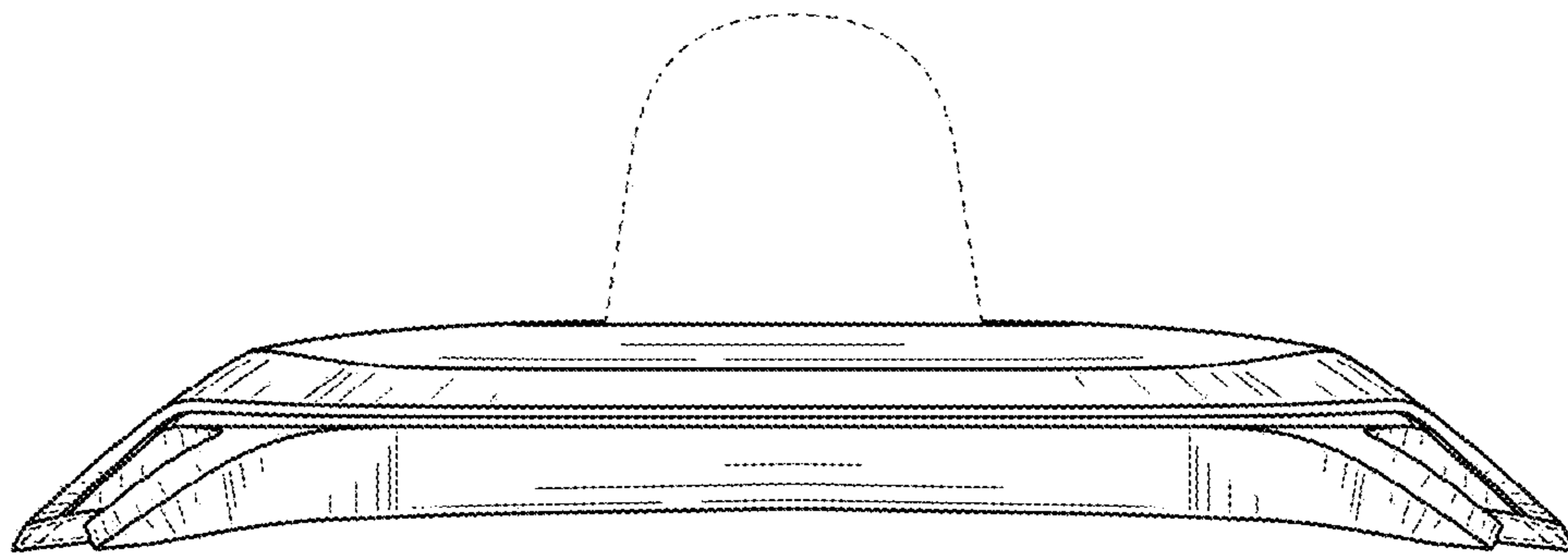


FIG. 24

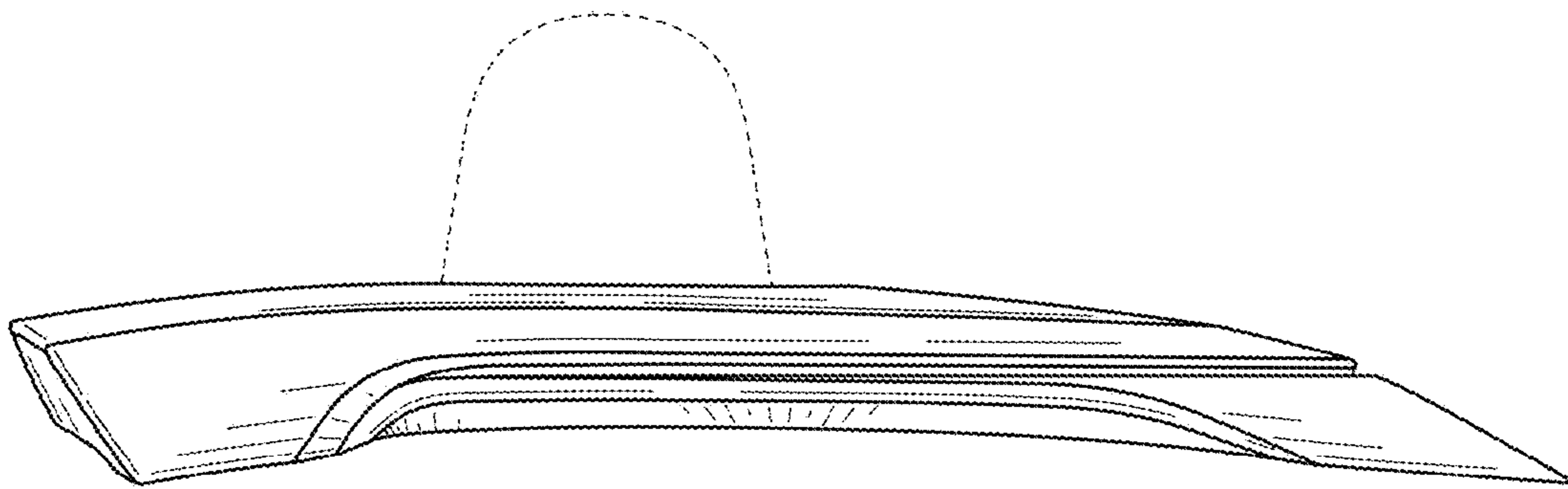


FIG. 25

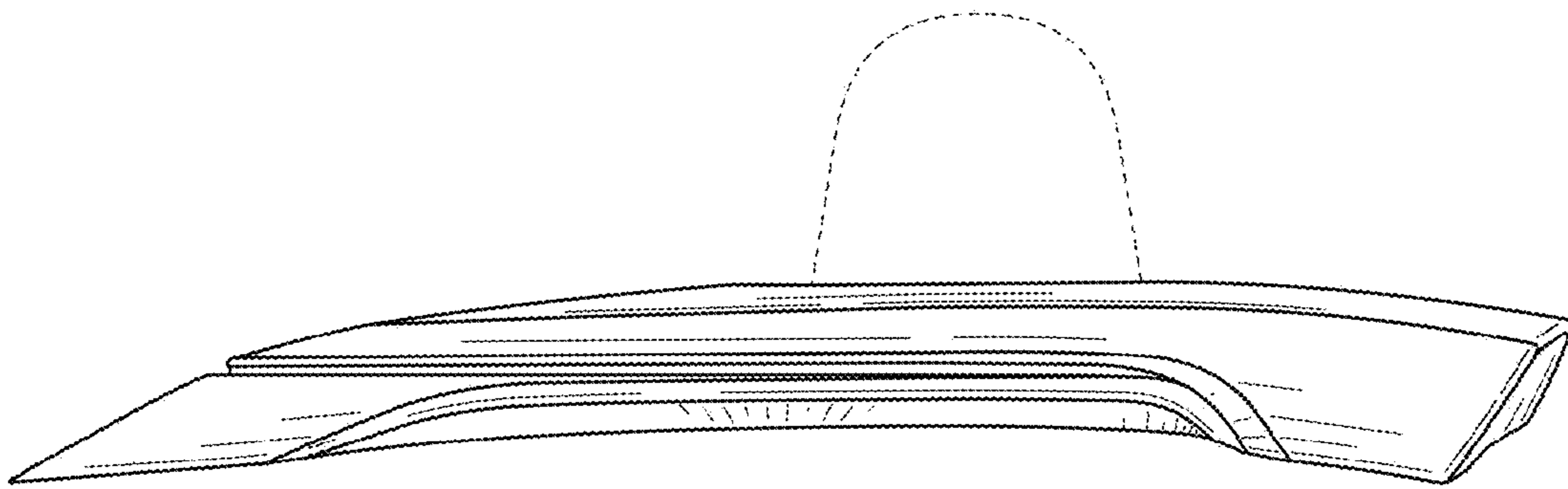


FIG. 26



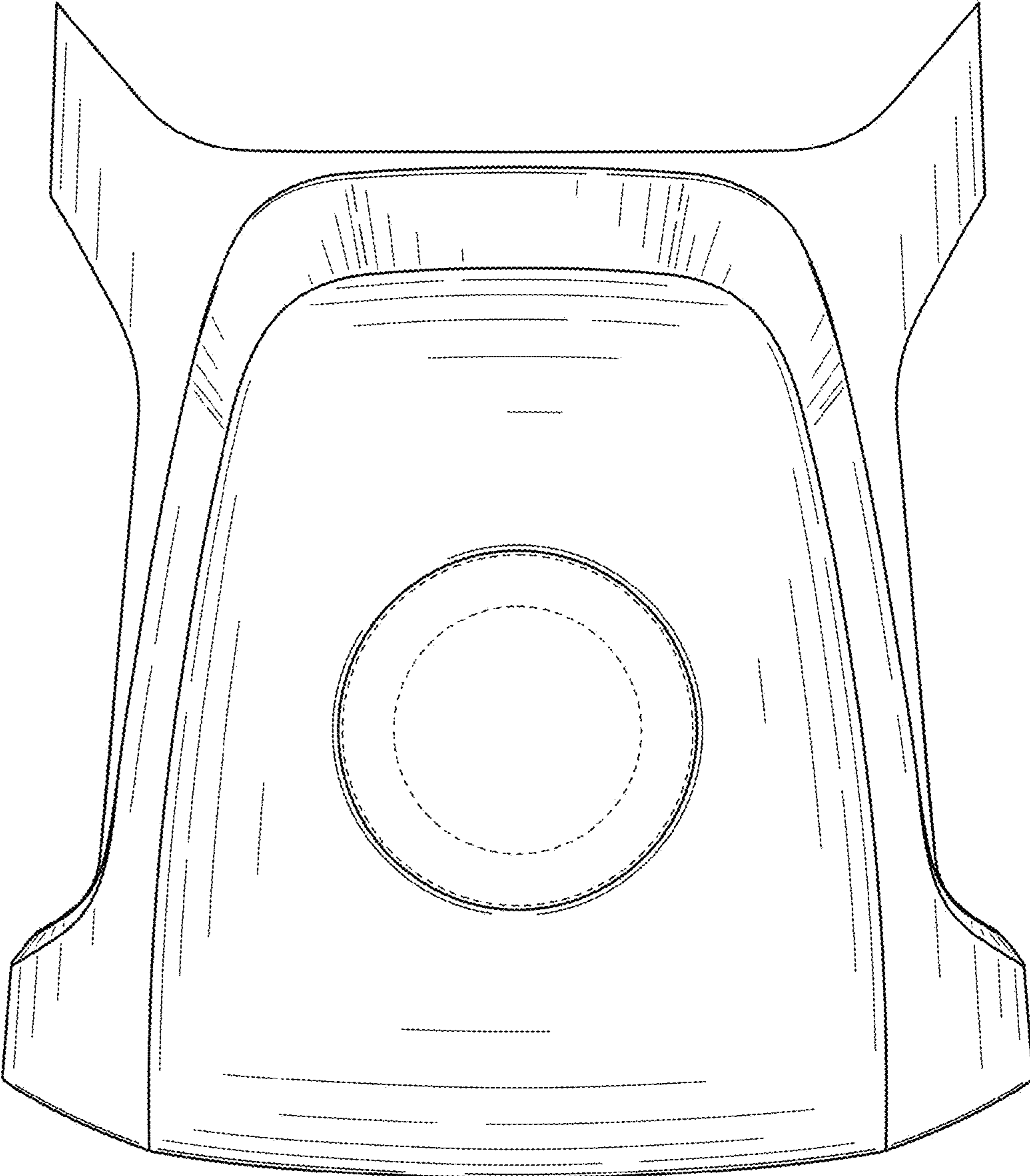


FIG. 27

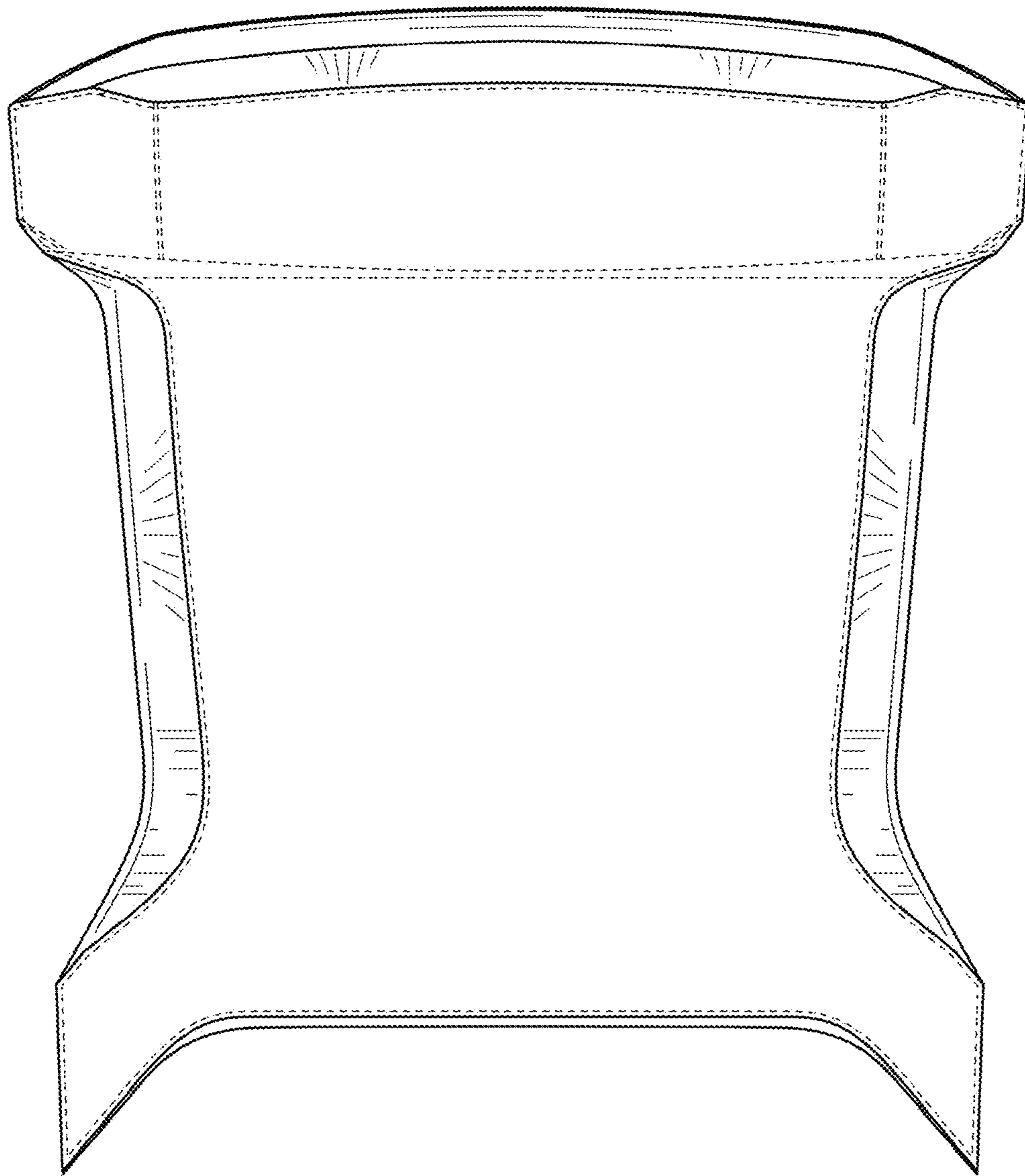


FIG. 28

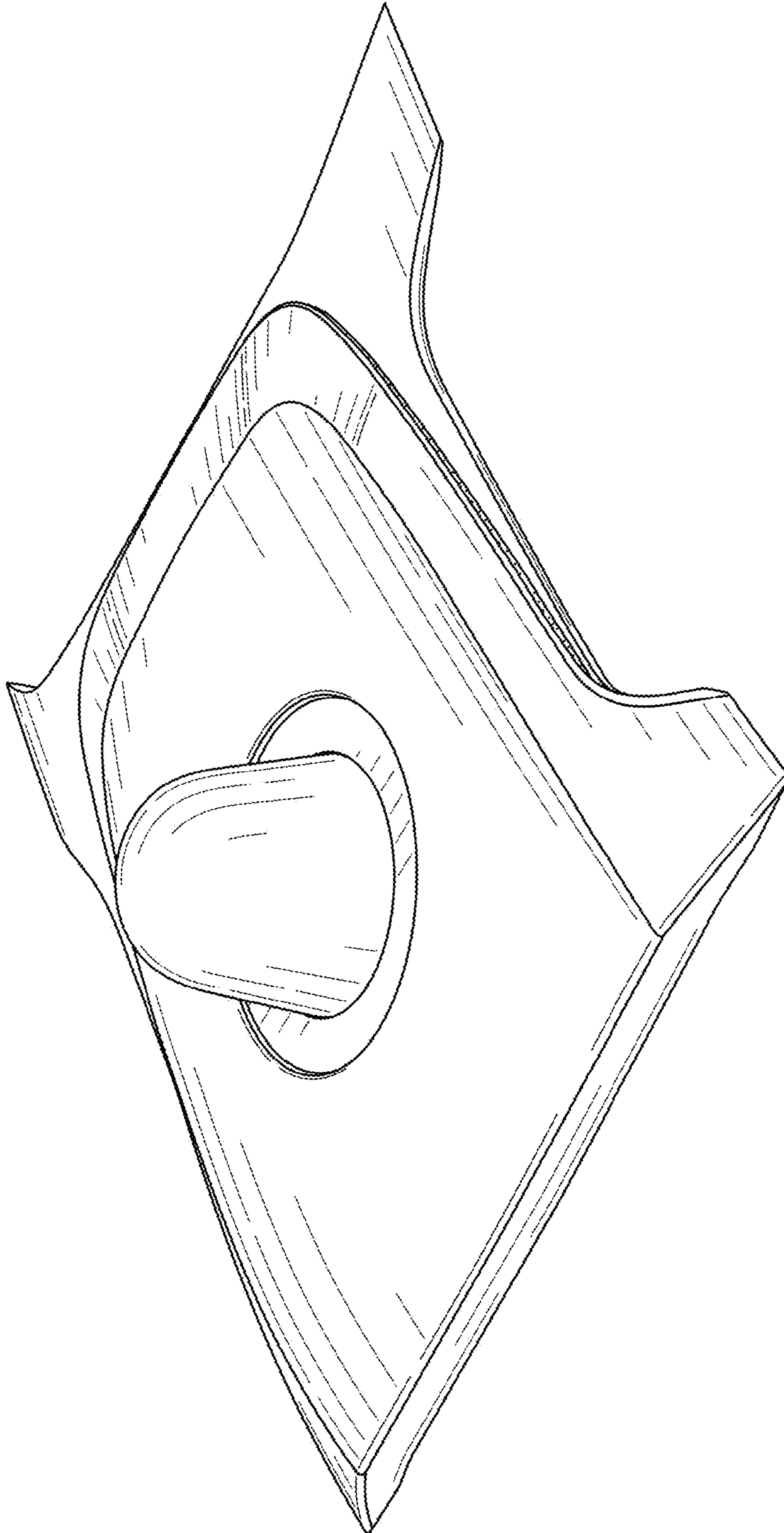


FIG. 29

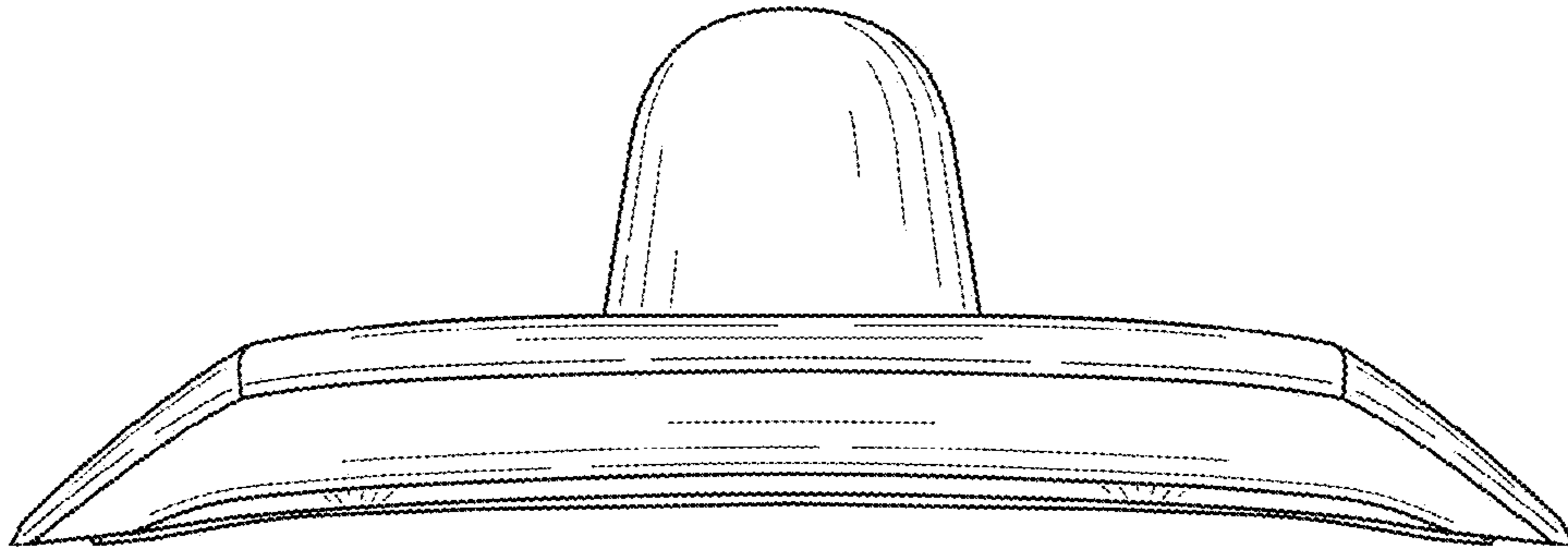


FIG. 30

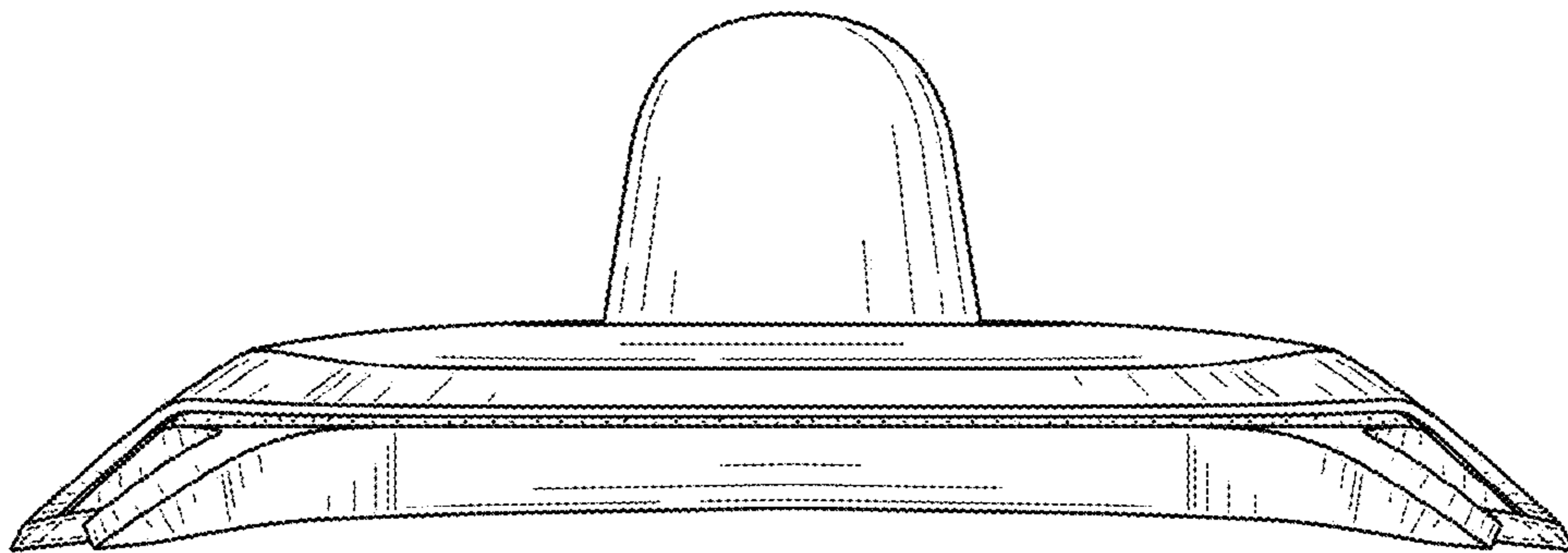


FIG. 31

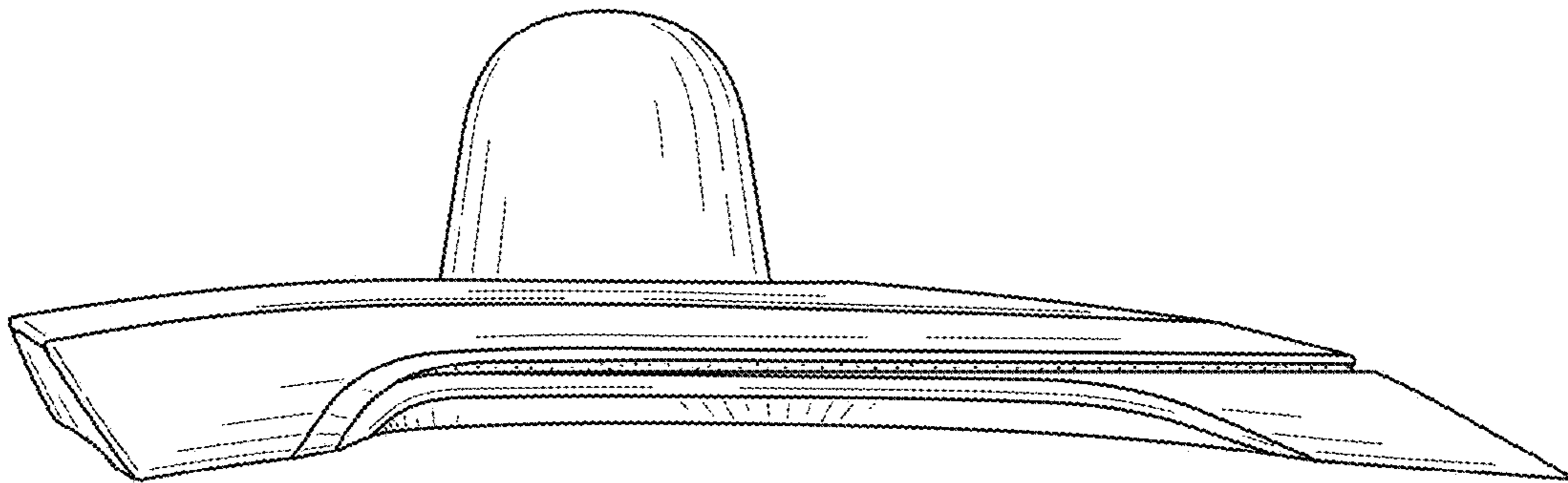


FIG. 32

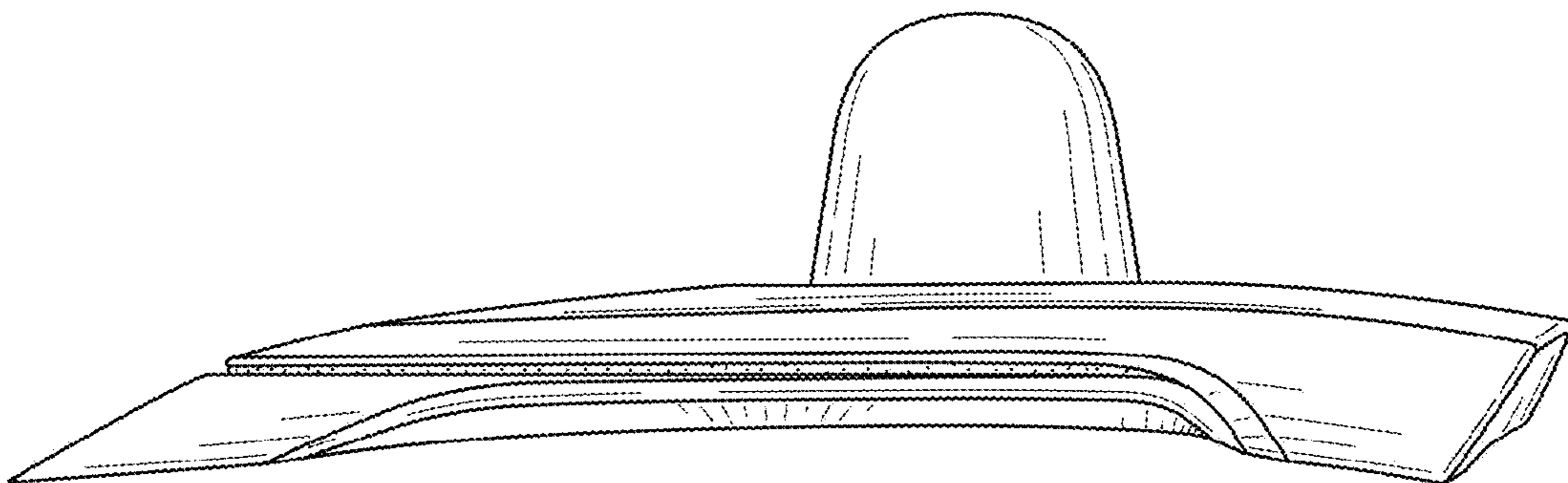


FIG. 33

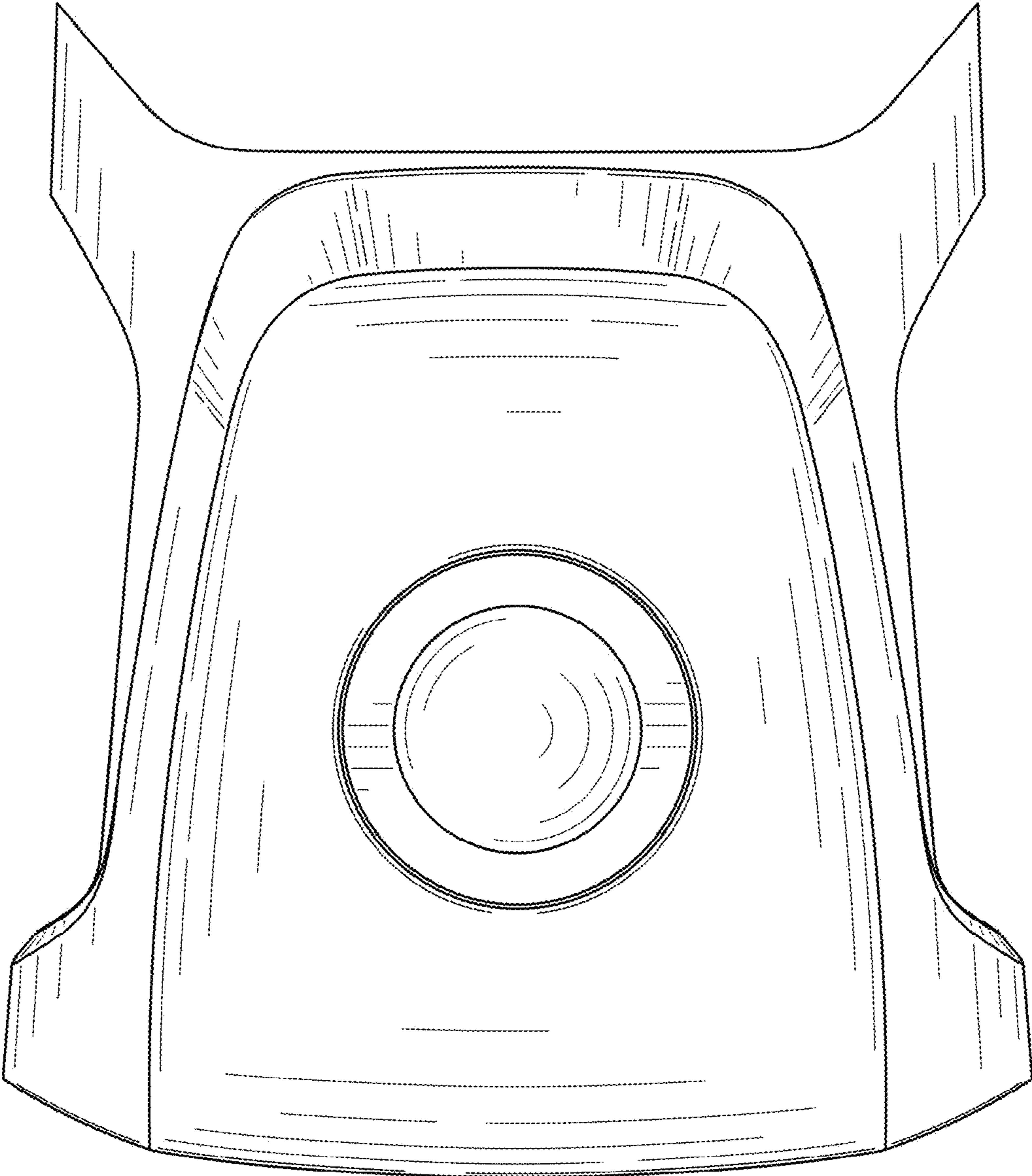


FIG. 34

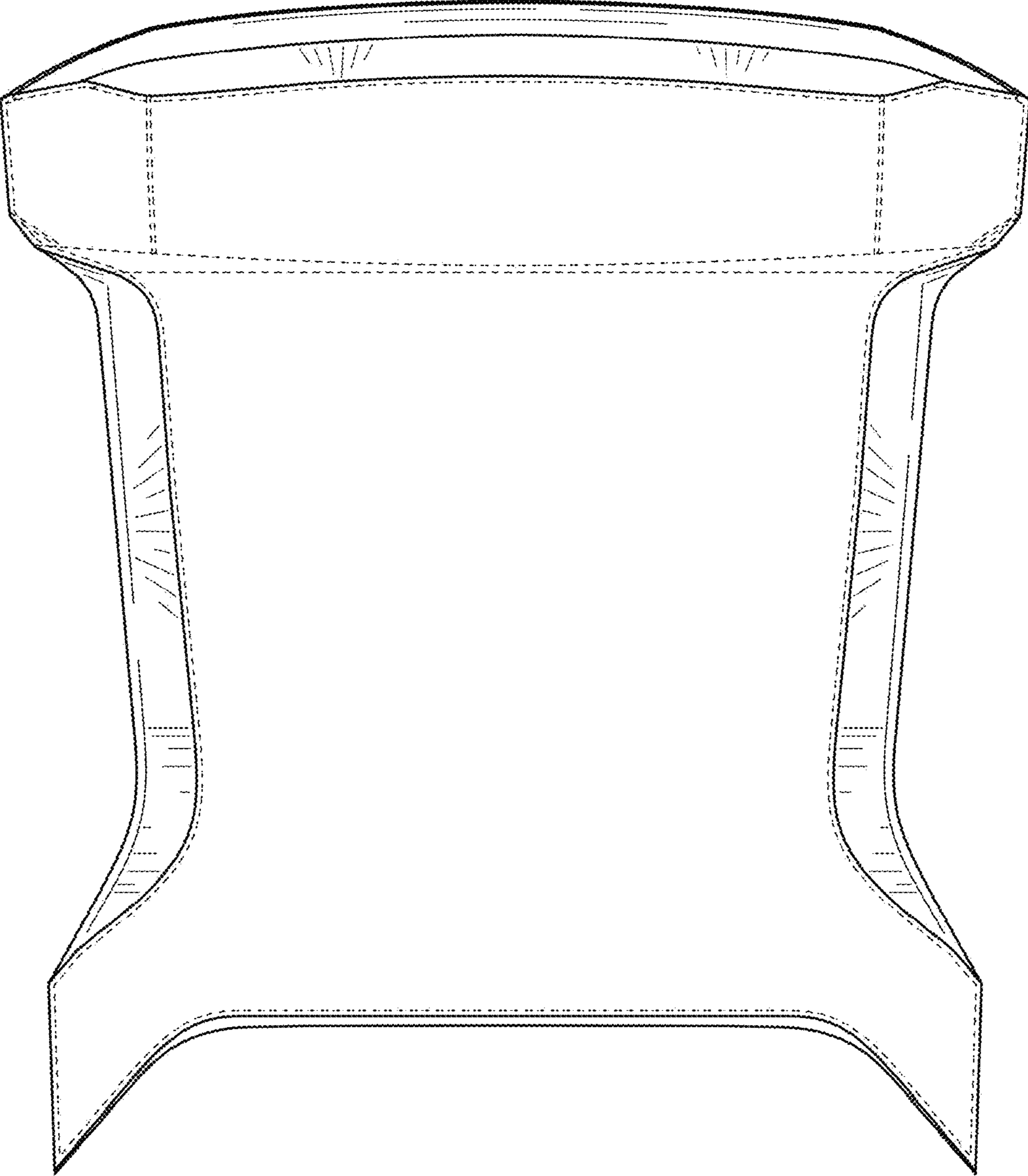


FIG. 35