

US00D866366S

(12) **United States Design Patent** (10) **Patent No.:** **US D866,366 S**
Sostak (45) **Date of Patent:** **** Nov. 12, 2019**

(54) **LEVEL INDICATOR**

(71) Applicant: **Jurij Sostak**, Vilnius (LT)

(72) Inventor: **Jurij Sostak**, Vilnius (LT)

(**) Term: **15 Years**

(21) Appl. No.: **29/654,988**

(22) Filed: **Jun. 29, 2018**

(51) **LOC (12) Cl.** **10-04**

(52) **U.S. Cl.**
USPC **D10/69**

(58) **Field of Classification Search**
USPC D10/69
CPC G01C 9/18; G01C 2009/182; G01C 2009/185; G01C 2009/187; G01C 9/20; G01C 9/22; G01C 9/24; G01C 9/26; G01C 9/28; G01C 9/30; G01C 9/32; G01C 9/34; G01C 9/36

See application file for complete search history.

(56) **References Cited**

U.S. PATENT DOCUMENTS

7,392,593 B2 * 7/2008 Rivers E06C 7/003
182/18
D574,274 S * 8/2008 D'Olimpia D10/69

7,802,370 B2 * 9/2010 Lewry G01C 9/28
33/333
D763,710 S * 8/2016 Barthold D10/69
2018/0335303 A1 * 11/2018 Sostak G01C 9/24

* cited by examiner

Primary Examiner — Antoine Duval Davis

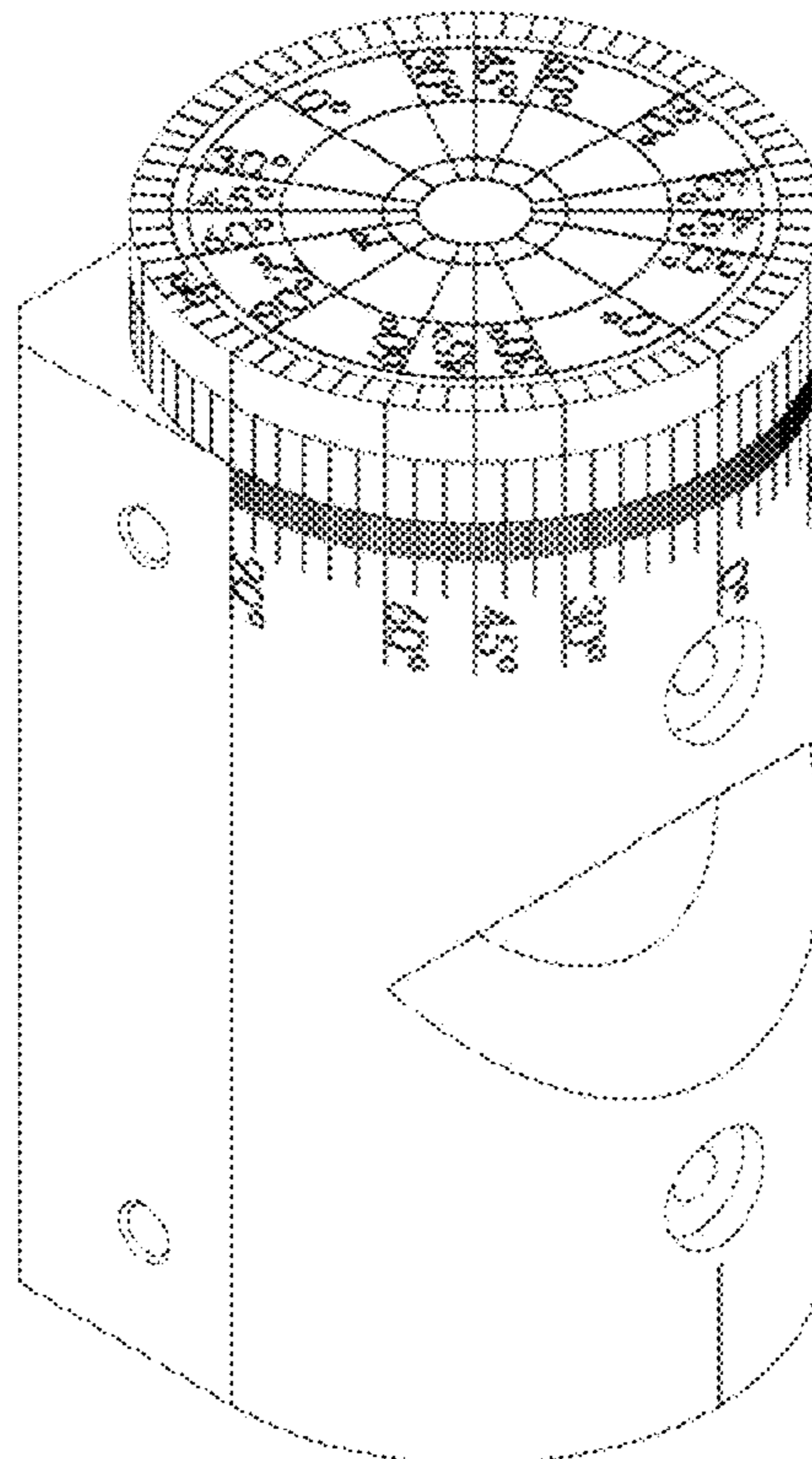
(57) **CLAIM**

The ornamental design for a level indicator, as shown and described.

DESCRIPTION

FIG. 1 is a top view of an embodiment of the level indicator of Applicants' invention.
FIG. 2 is a left view of an embodiment of the level indicator of Applicants' invention.
FIG. 3 is a right view of an embodiment of the level indicator of Applicants' invention.
FIG. 4 is a bottom view of an embodiment of level indicator of Applicants' invention.
FIG. 5 is a front view of an embodiment of the level indicator of Applicants' invention.
FIG. 6 is a back view of an embodiment of the level indicator of Applicants' invention; and,
FIG. 7 is an isometric view of an embodiment of the level indicator of Applicants' invention.

1 Claim, 7 Drawing Sheets



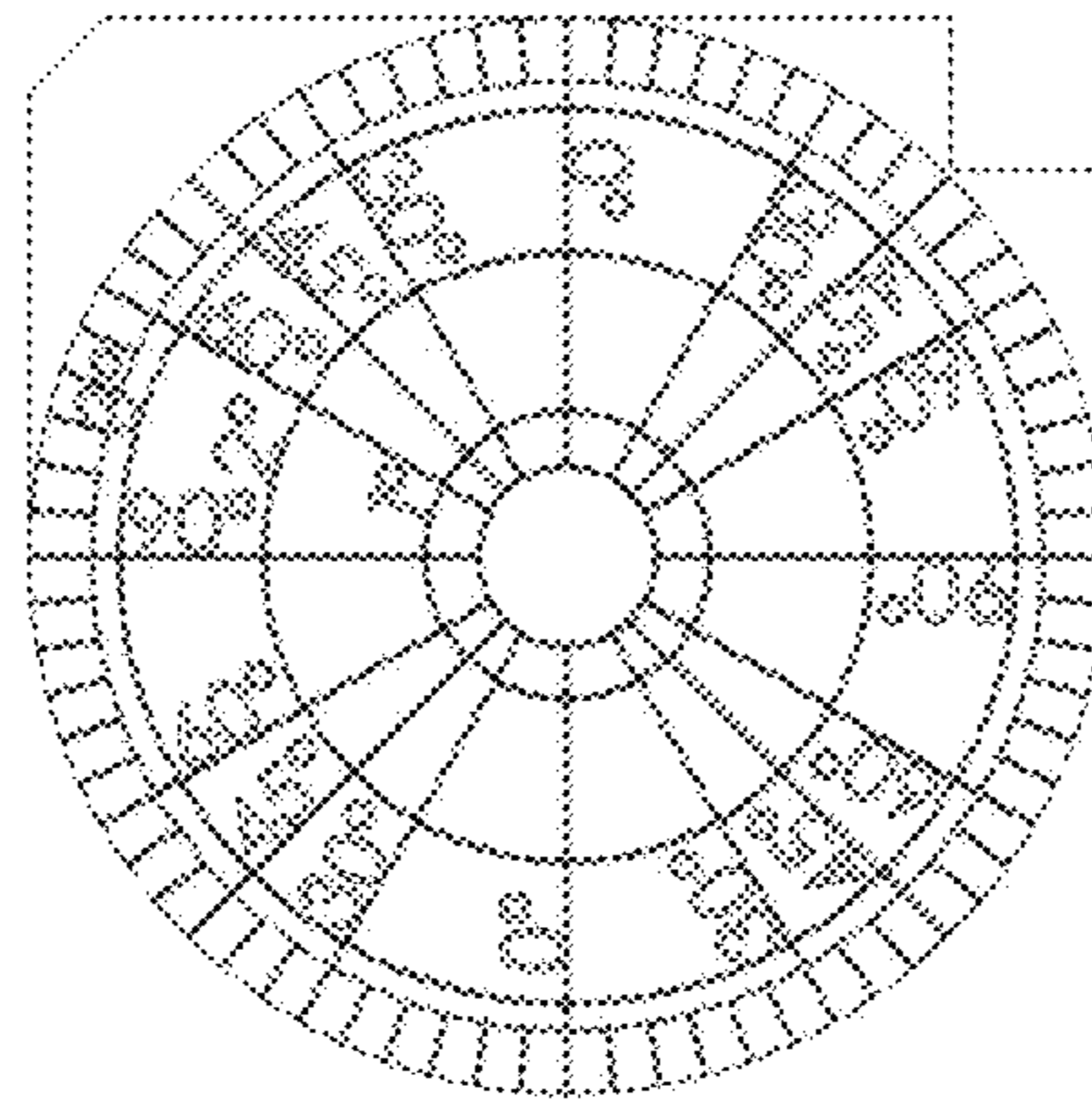


FIG 1

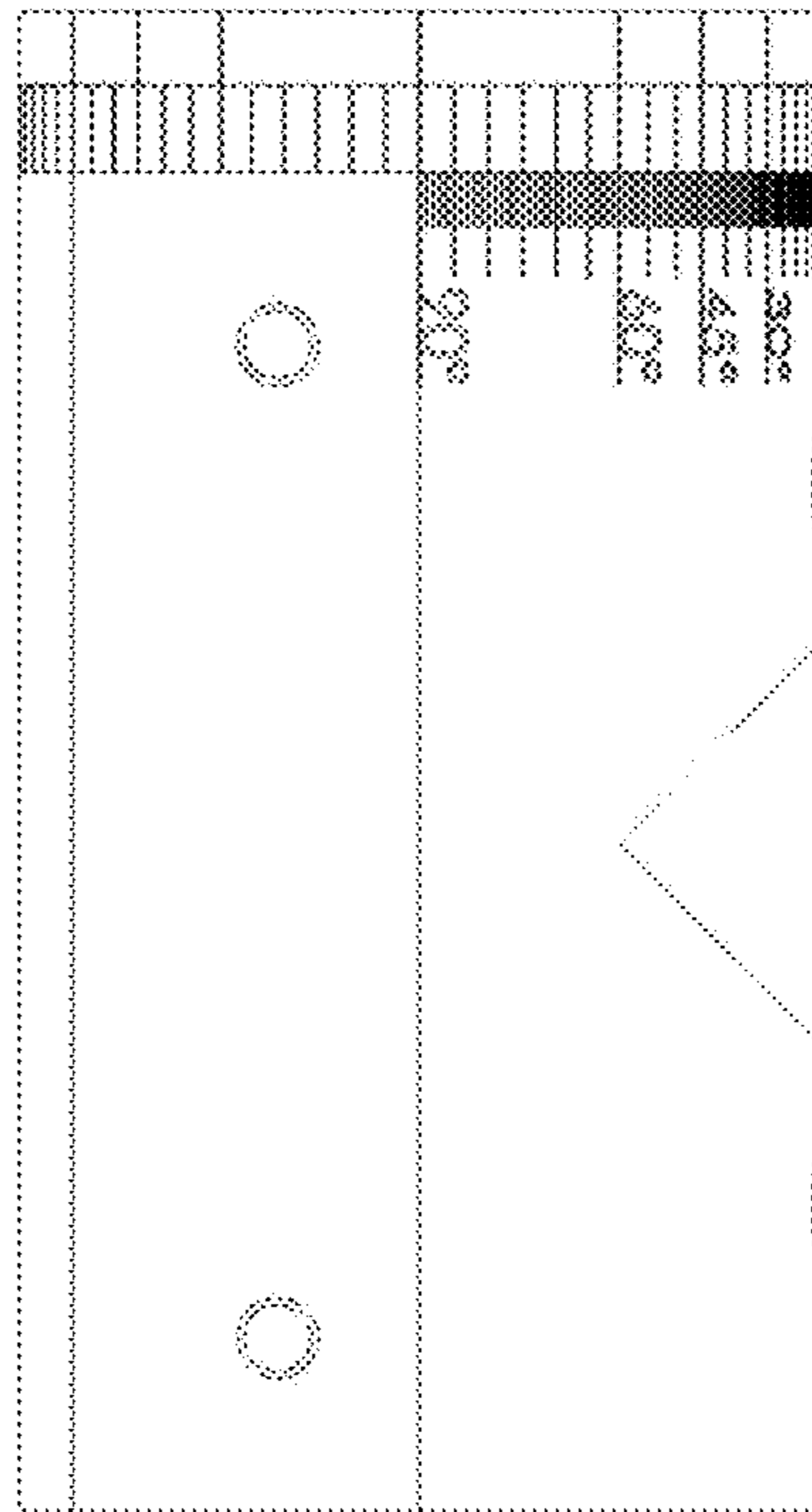


FIG 2

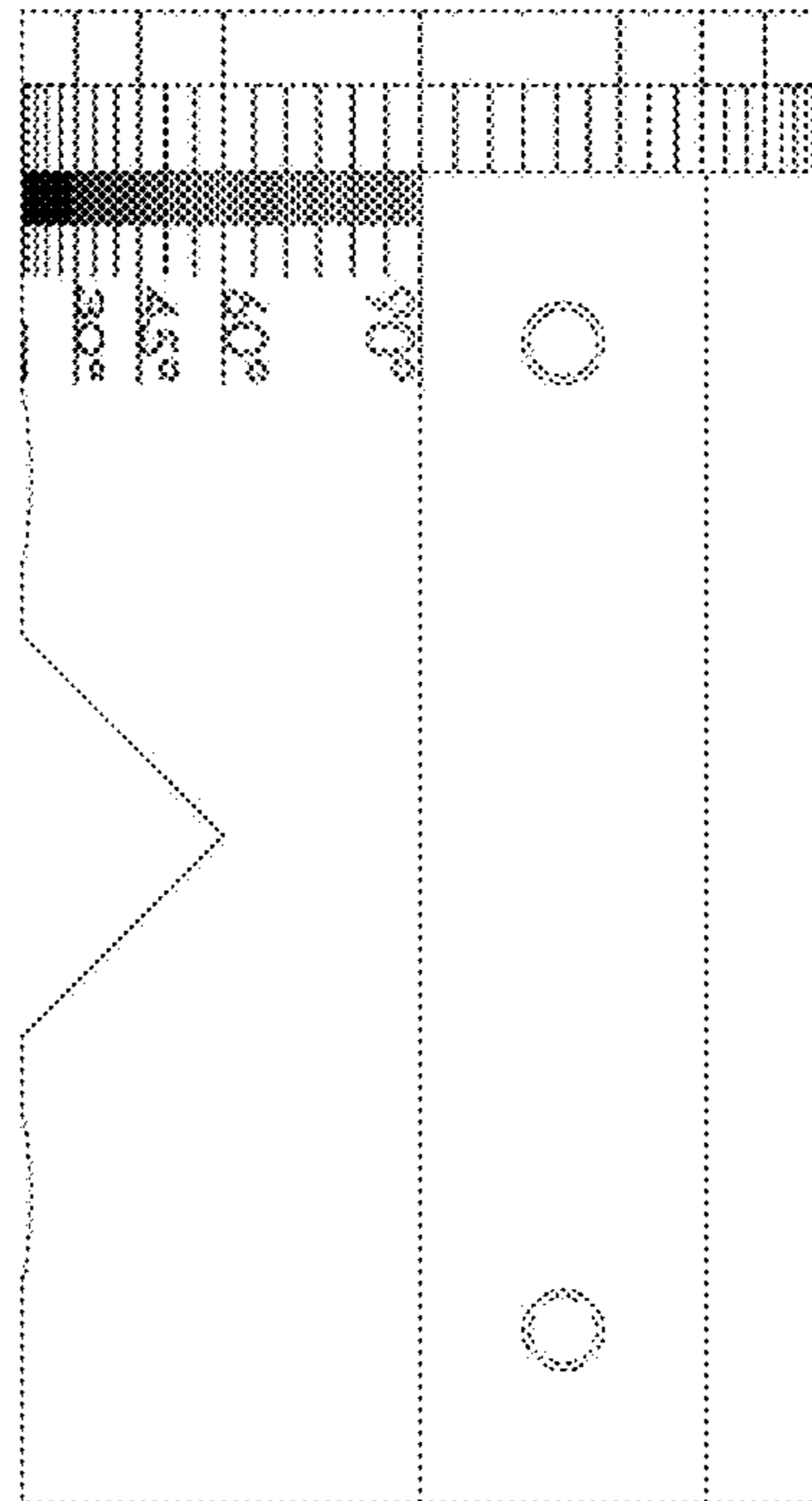


FIG 3

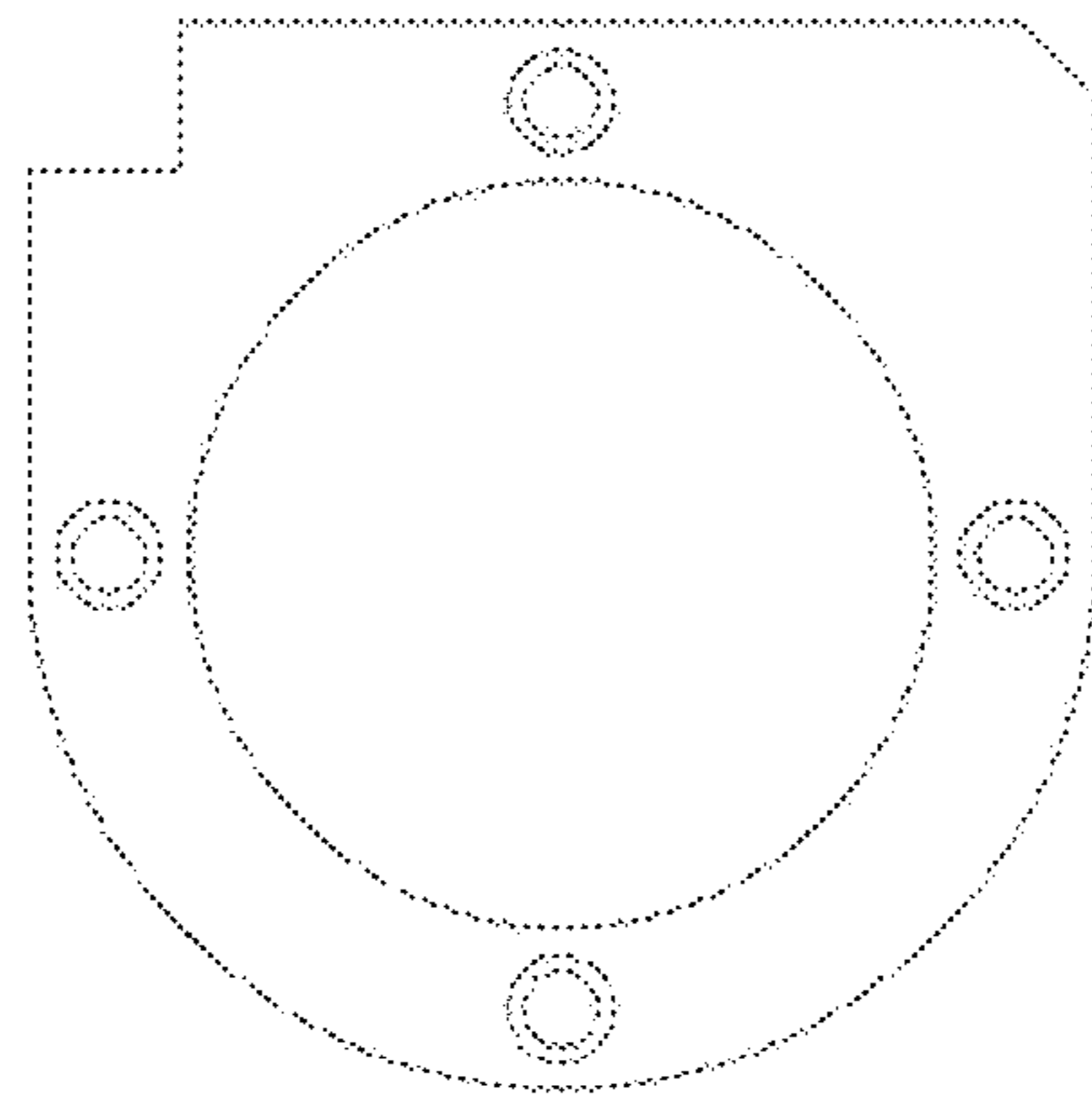


FIG 4

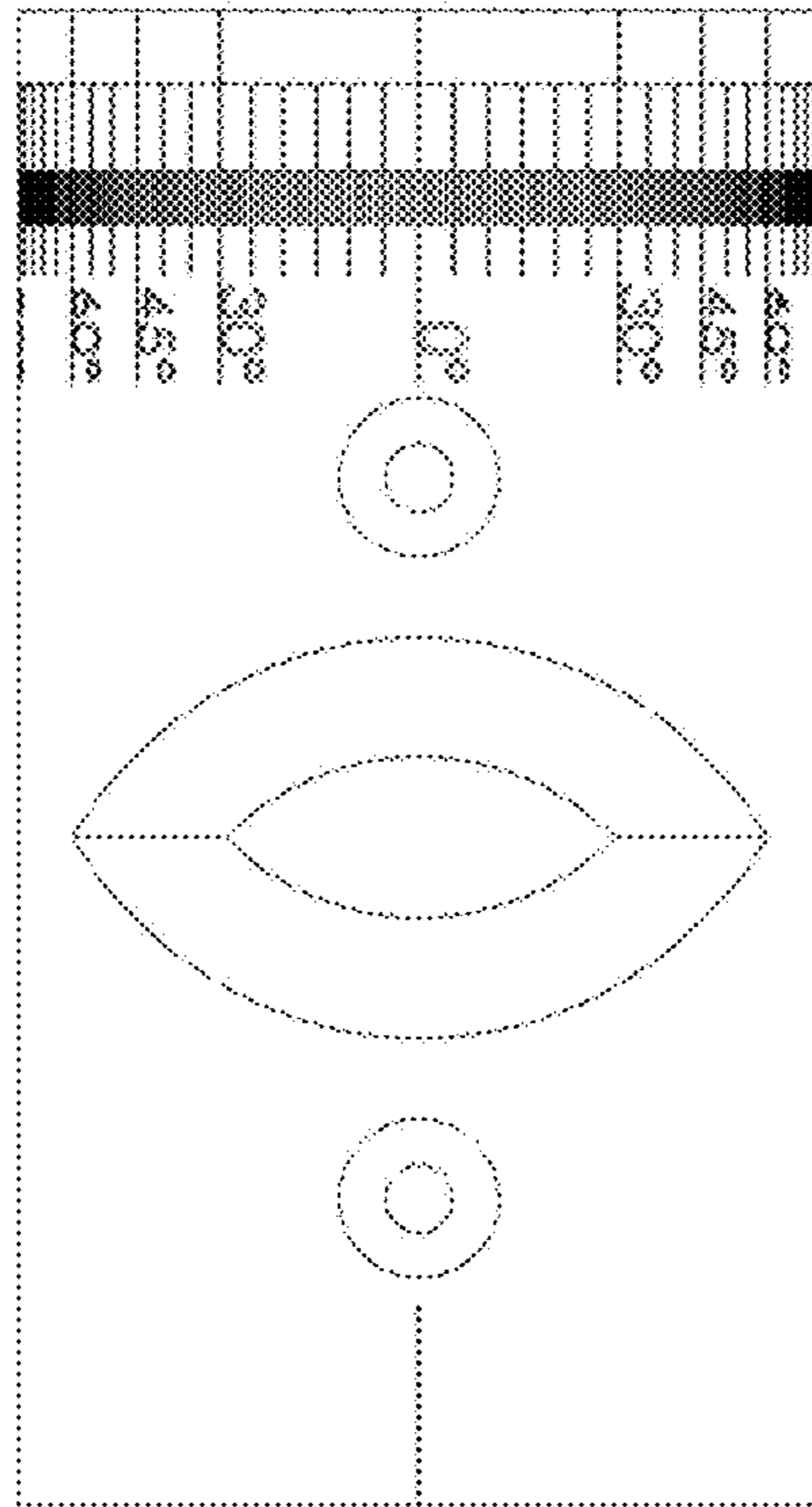


FIG 5

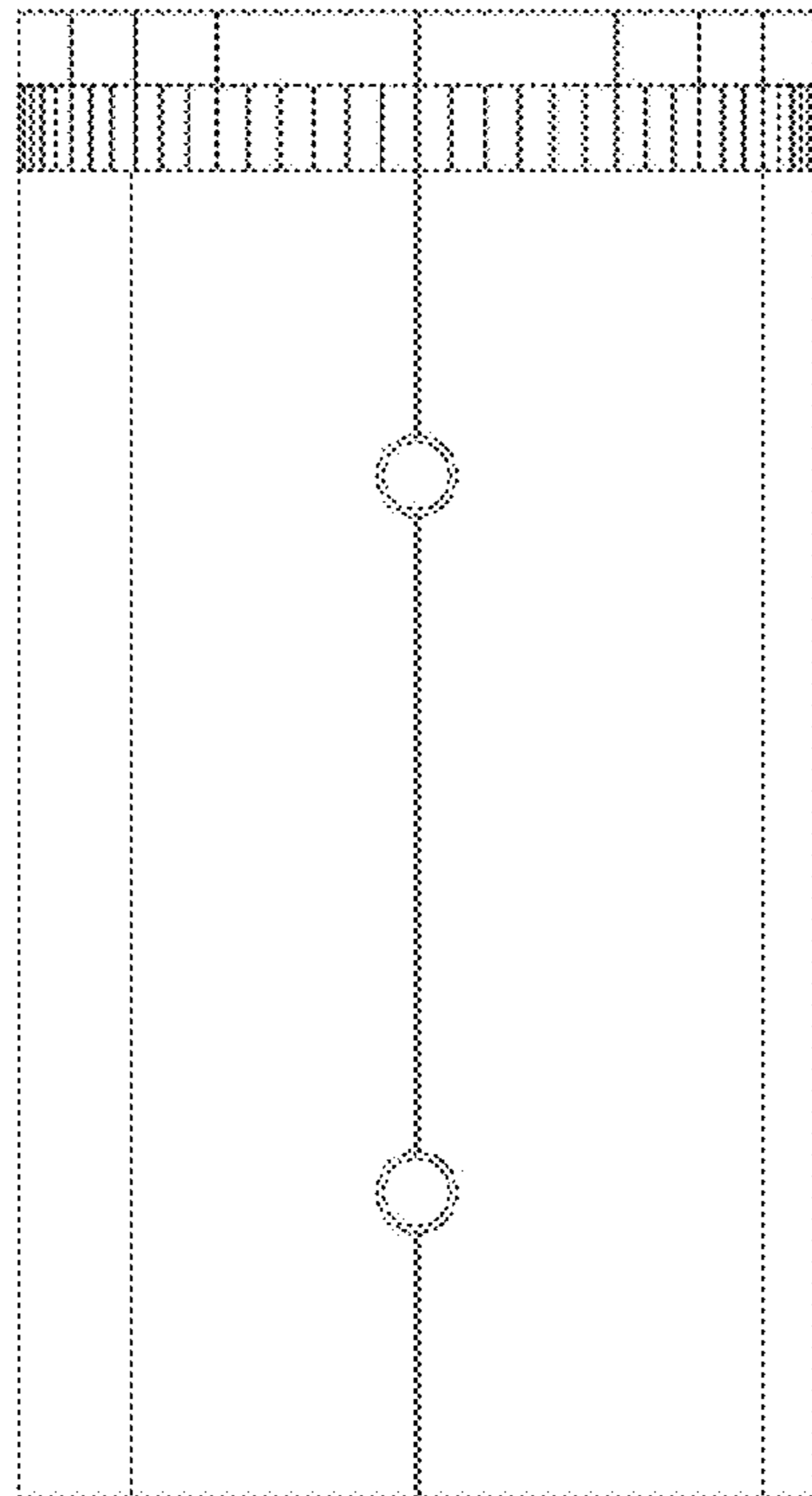


FIG 6

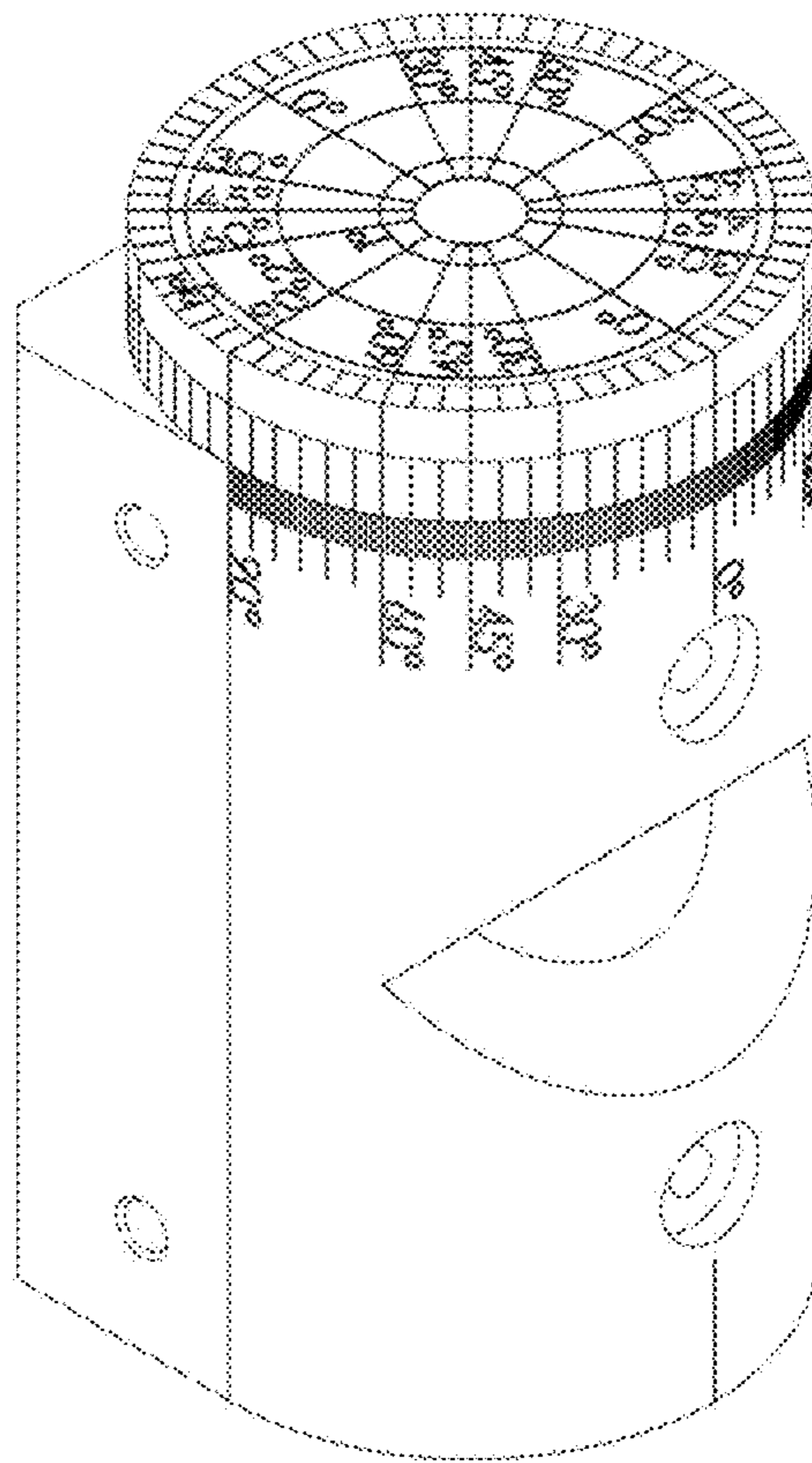


FIG 7